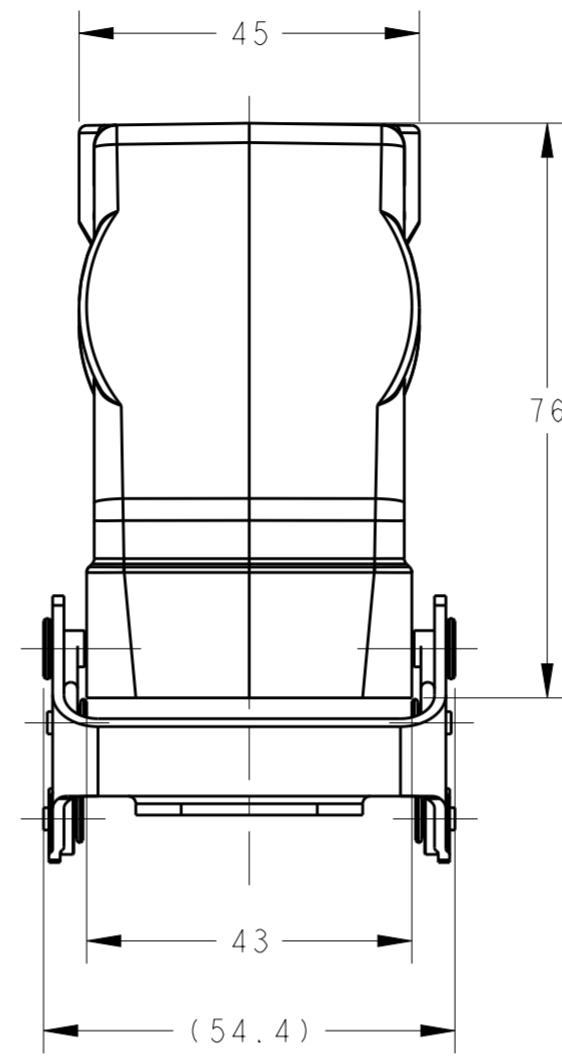
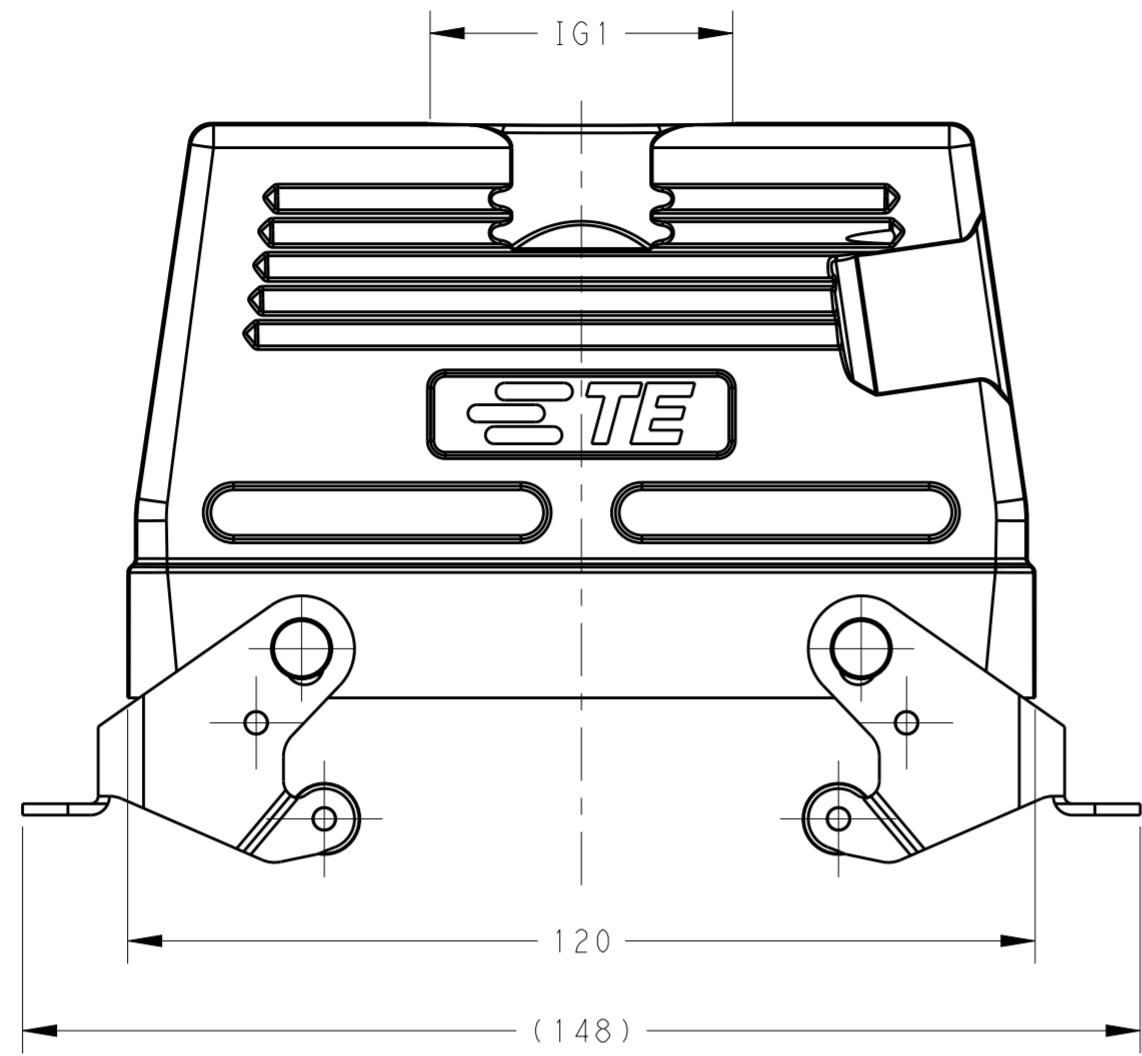


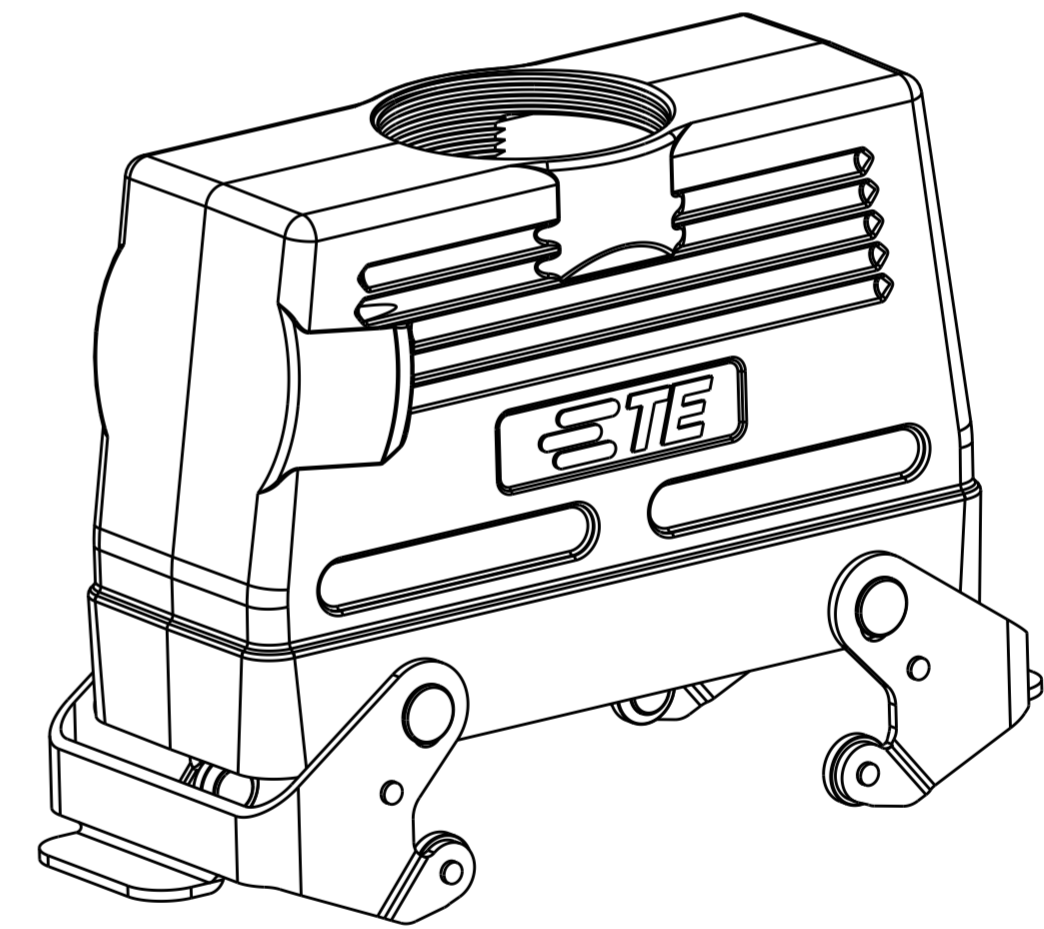
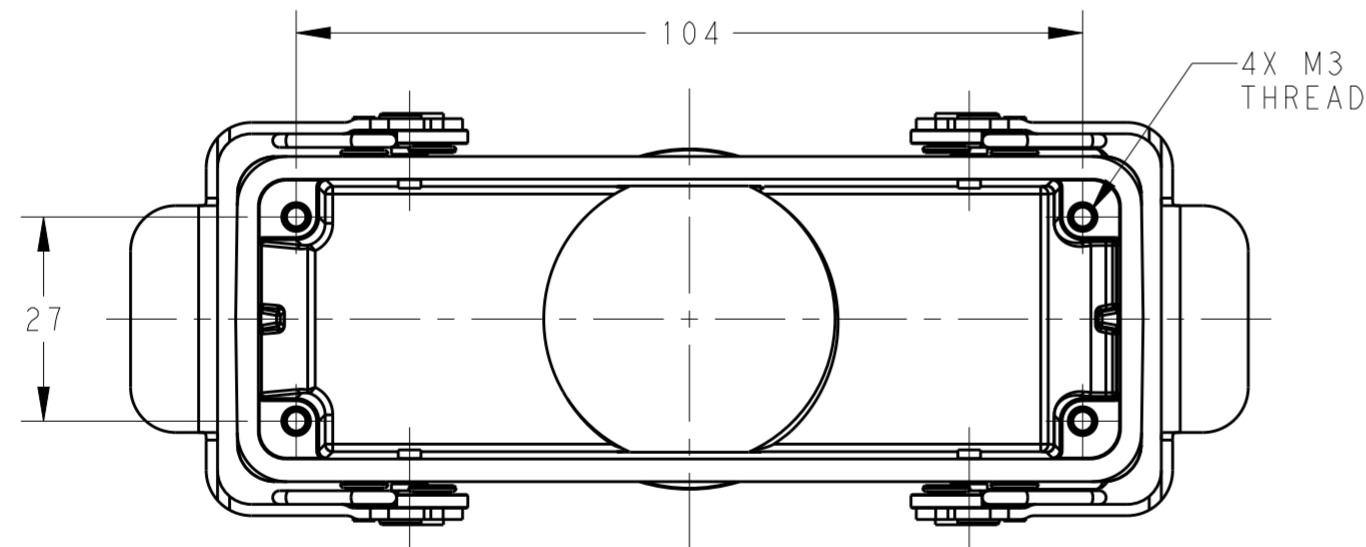
THIS DRAWING IS UNPUBLISHED. RELEASED FOR PUBLICATION 20  
 © COPYRIGHT 20 BY - ALL RIGHTS RESERVED.

REVISIONS				
P	LTR	DESCRIPTION	DATE	APVD
	A	INITIAL	06JUN2015	DW CW



NOTES:  
 1. TECHNICAL CHARACTERISTICS:  
 HOOD MATERIAL: DIE CAST ALUMINIUM ALLOY  
 SURFACE: POWDER COATED, GREY  
 OPERATION TEMPERATURE: -40-+125°C  
 DEGREE OF PROTECTION: IP65 (MATED)

注释:  
 1. 技术参数:  
 上壳材料: 铝合金  
 表面处理: 粉末涂层, 灰色  
 工作温度: -40-+125°C  
 防护等级: IP65(配合)



T1280243121-000	H24B-TGBHS-PG21	HIGH CONSTRUCTION	PG21
T1280243129-000	H24B-TGBHS-PG29		PG29
T1280243125-000	H24B-TGBHS-M25		M25
T1280243132-000	H24B-TGBHS-M32		M32
T1280243140-000	H24B-TGBHS-M40		M40
PART NUMBER	DESCRIPTION	TYPE	IG1

DIMENSIONS:		TOLERANCES UNLESS OTHERWISE SPECIFIED:		APVD		NAME	
mm	0 PLC ±	1 PLC ±	2 PLC ±	3 PLC ±	4 PLC ±	108-137013	H24B-TGBHS-M/PG
	ANGLES ±	FINISH				114-137013	
MATERIAL						Customer Drawing	

THIS DRAWING IS A CONTROLLED DOCUMENT.	DWN 06JUN2015 David Wang	<b>STE</b> TE Connectivity			
	CHK 06JUN2015 Chris Wang				
	APVD 06JUN2015 Xiang Xu	SIZE	CAGE CODE	DRAWING NO	RESTRICTED TO
	PRODUCT SPEC	A2	00779	C-T12802431XX000	-
	APPLICATION SPEC	SCALE	1:1	SHEET	1 OF 1
	WEIGHT			REV	A

## X-ON Electronics

Largest Supplier of Electrical and Electronic Components

*Click to view similar products for [Heavy Duty Power Connectors](#) category:*

*Click to view products by [TE Connectivity](#) manufacturer:*

Other Similar products are found below :

[1424439](#) [1424438](#) [09330062652](#) [2-8675P1](#) [605601-1](#) [6340G1](#) [6341G1](#) [6360G1](#) [6373G1](#) [6374g2](#) [6396G1](#) [647757-1](#) [66394-4](#) [6643411-1](#)  
[6646058-2](#) [6646137-1](#) [6646138-1](#) [6646348-1](#) [6646479-1](#) [6646608-1](#) [6646786-1](#) [6646940-1](#) [6651091-1](#) [6651525-1](#) [6651529-1](#) [6651778-1](#)  
[6651788-1](#) [696465-1](#) [696475-1](#) [73000005059](#) [73000005349](#) [73000005642](#) [73080255059](#) [73080965046](#) [765-15-0080A](#) [765-16-0080B](#)  
[789.700-44](#) [789.700-54](#) [80-1010](#) [80-9](#) [827381-1](#) [829992-1](#) [902-77-02113](#) [PL00U-301-10D10](#) [PM103MOOLOO](#) [PM16S1620S32-50](#)  
[PM212MOOLOO](#) [PM309FOOLOO](#) [PM324FOOLCH](#) [PMHPAF11S03](#)