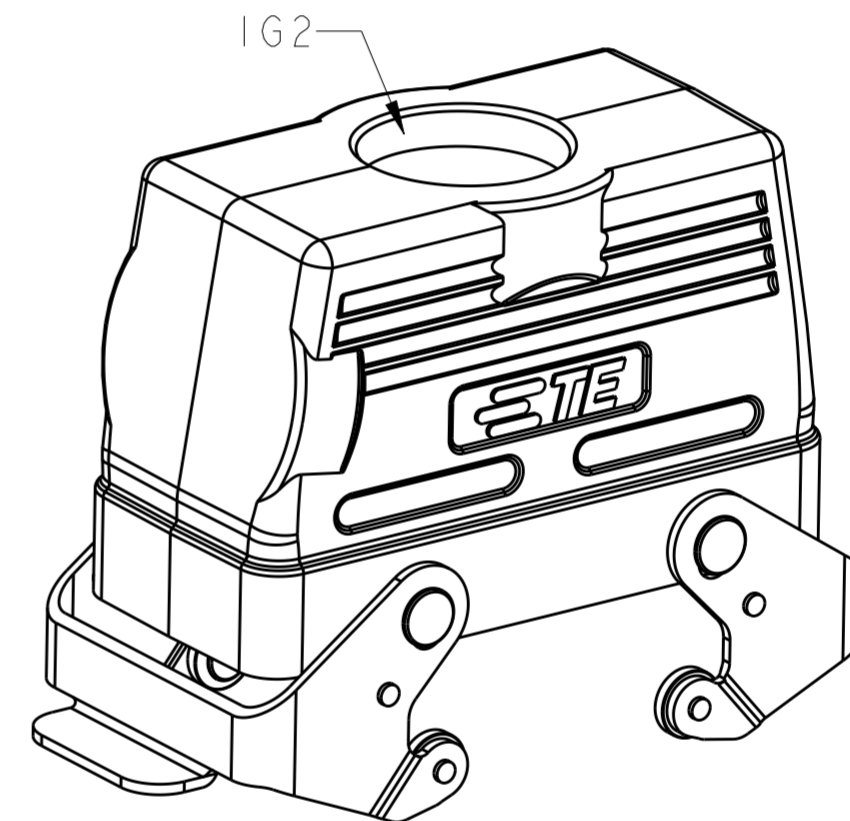
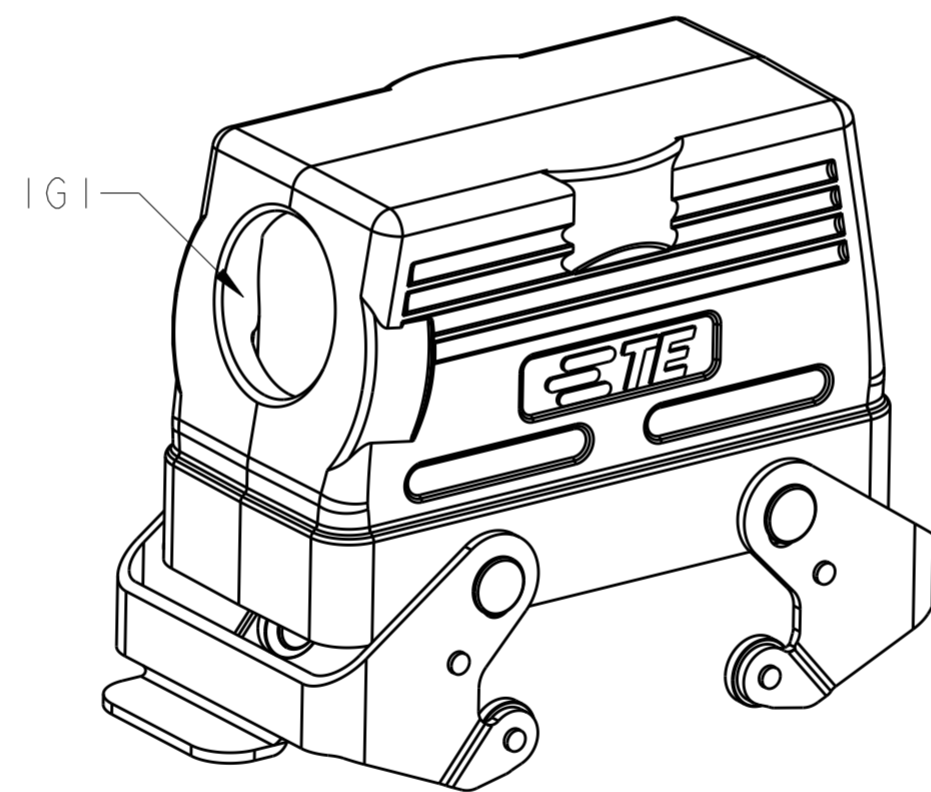
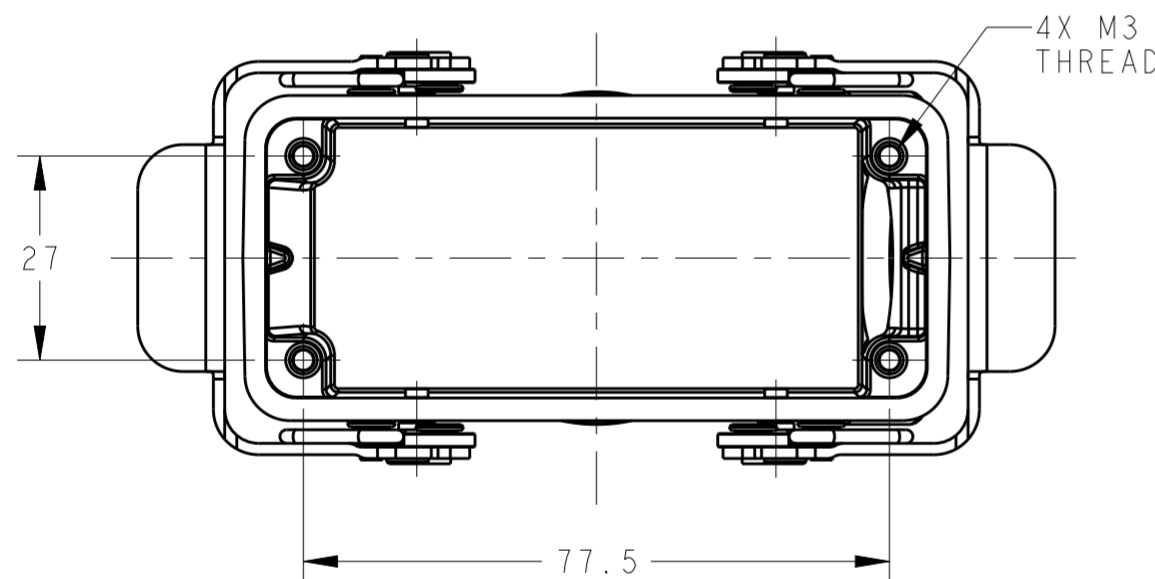
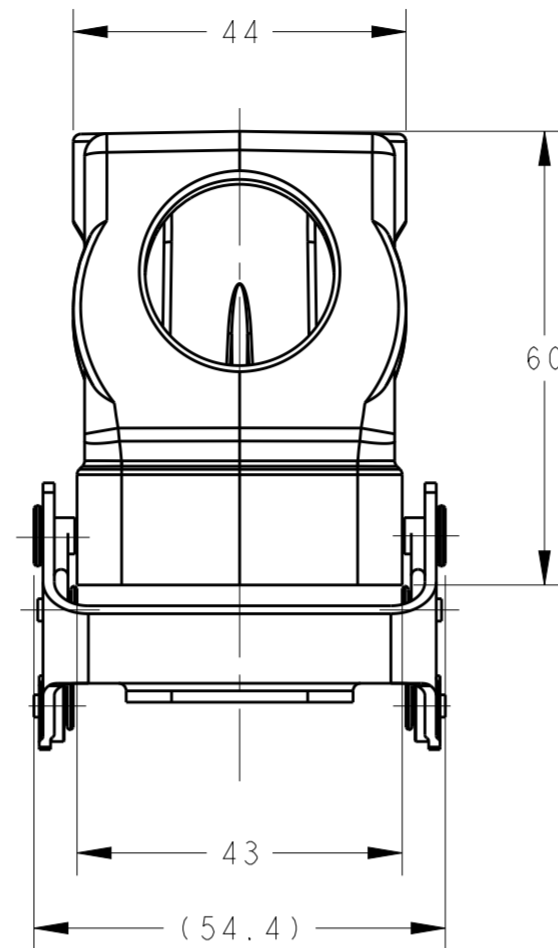
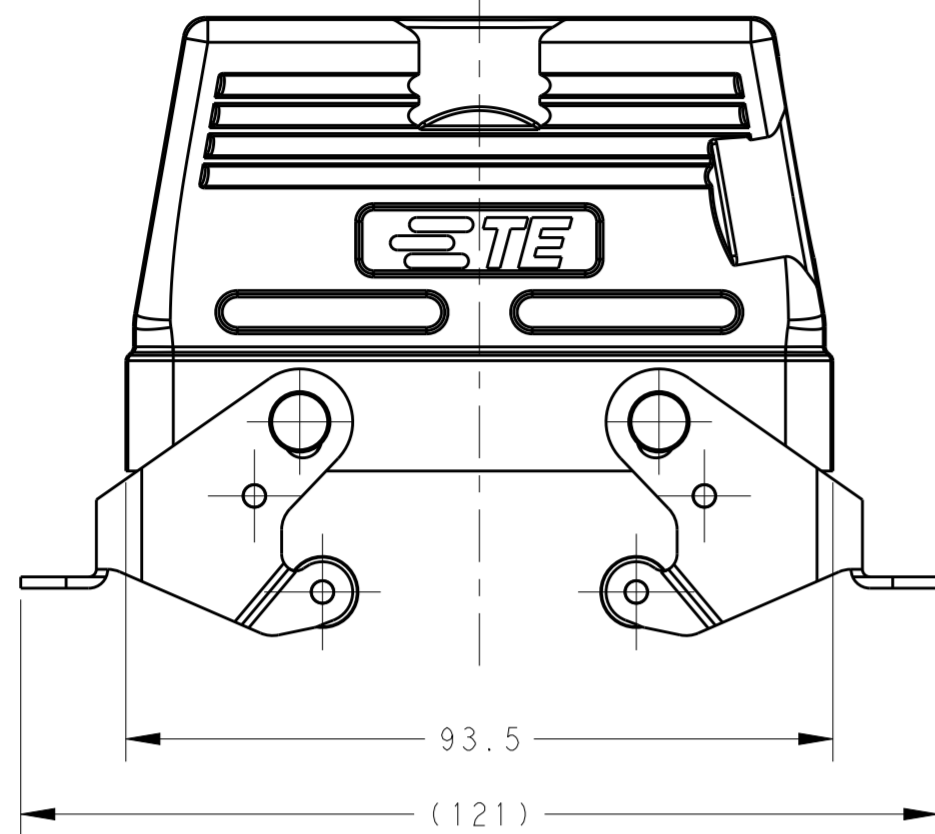


THIS DRAWING IS UNPUBLISHED. RELEASED FOR PUBLICATION 20
 © COPYRIGHT 20 BY - ALL RIGHTS RESERVED.

| REVISIONS | | | | |
|-----------|-----|-------------|-----------|-------|
| P | LTR | DESCRIPTION | DATE | APVD |
| | A | INITIAL | 26MAY2015 | DW CW |
| | | | | |
| | | | | |



NOTES:
 1. TECHNICAL CHARACTERISTICS:
 HOOD MATERIAL: DIE CAST ALUMINIUM ALLOY
 SURFACE: POWDER COATED, GREY
 OPERATION TEMPERATURE: -40-+125°C
 DEGREE OF PROTECTION: IP65 (MATED)

注释:
 1. 技术参数:
 上壳材料: 铝合金
 表面处理: 粉末涂层, 灰色
 工作温度: -40-+125°C
 防护等级: IP65(配合)

TYPE 1: LOW CONSTRUCTION, SIDE ENTRY WITH STAINLESS STEEL LOCKING

TYPE 2: LOW CONSTRUCTION, TOP ENTRY WITH STAINLESS STEEL LOCKING OTHER SPEC REFER TO TYPE 1

| T1250163121-000 | TYPE 1 | H16B-TSBS-PG21 | PG21 | - |
|-----------------|--------|----------------|------|------|
| T1250163125-000 | | H16B-TSBS-M25 | M25 | - |
| T1250163132-000 | | H16B-TSBS-M32 | M32 | - |
| T1260163116-000 | TYPE 2 | H16B-TGBS-PG16 | - | PG16 |
| T1260163121-000 | | H16B-TGBS-PG21 | - | PG21 |
| T1260163125-000 | | H16B-TGBS-M25 | - | M25 |
| PART NUMBER | TYPE | DESCRIPTION | IG1 | IG2 |

| | | | | |
|--|--|-----------------------------|---|--|
| THIS DRAWING IS A CONTROLLED DOCUMENT. | | DWN David Wang 26MAY2015 | STE TE Connectivity | |
| | | CHK Chris Wang 26MAY2015 | | |
| | | APVD Xiang Xu 26MAY2015 | NAME H16B-TSBS/TGBS-M/PG | |
| DIMENSIONS: mm | | PRODUCT SPEC 108-137013 | SIZE CAGE CODE DRAWING NO RESTRICTED TO | |
| TOLERANCES UNLESS OTHERWISE SPECIFIED: | | APPLICATION SPEC 114-137013 | A200779 C-T12X01631XX000 | |
| 0 PLC ± | | WEIGHT - | SCALE 1:1 SHEET 1 OF 1 REV A | |
| 1 PLC ± | | Customer Drawing | | |
| 2 PLC ± | | | | |
| 3 PLC ± | | | | |
| 4 PLC ± | | | | |
| ANGLES ± | | | | |
| FINISH - | | | | |
| - | | | | |

X-ON Electronics

Largest Supplier of Electrical and Electronic Components

Click to view similar products for [Heavy Duty Power Connectors](#) category:

Click to view products by [TE Connectivity](#) manufacturer:

Other Similar products are found below :

[1424439](#) [1424438](#) [09330062652](#) [2-8675P1](#) [605601-1](#) [6340G1](#) [6341G1](#) [6360G1](#) [6373G1](#) [6374g2](#) [6396G1](#) [647757-1](#) [66394-4](#) [6643411-1](#)
[6646058-2](#) [6646137-1](#) [6646138-1](#) [6646348-1](#) [6646479-1](#) [6646608-1](#) [6646786-1](#) [6646940-1](#) [6651091-1](#) [6651525-1](#) [6651529-1](#) [6651778-1](#)
[6651788-1](#) [696465-1](#) [696475-1](#) [73000005059](#) [73000005349](#) [73000005642](#) [73080255059](#) [73080965046](#) [765-15-0080A](#) [765-16-0080B](#)
[789.700-44](#) [789.700-54](#) [80-1010](#) [80-9](#) [827381-1](#) [829992-1](#) [902-77-02113](#) [PL00U-301-10D10](#) [PM103MOOLOO](#) [PM16S1620S32-50](#)
[PM212MOOLOO](#) [PM309FOOLOO](#) [PM324FOOLCH](#) [PMHPAF11S03](#)