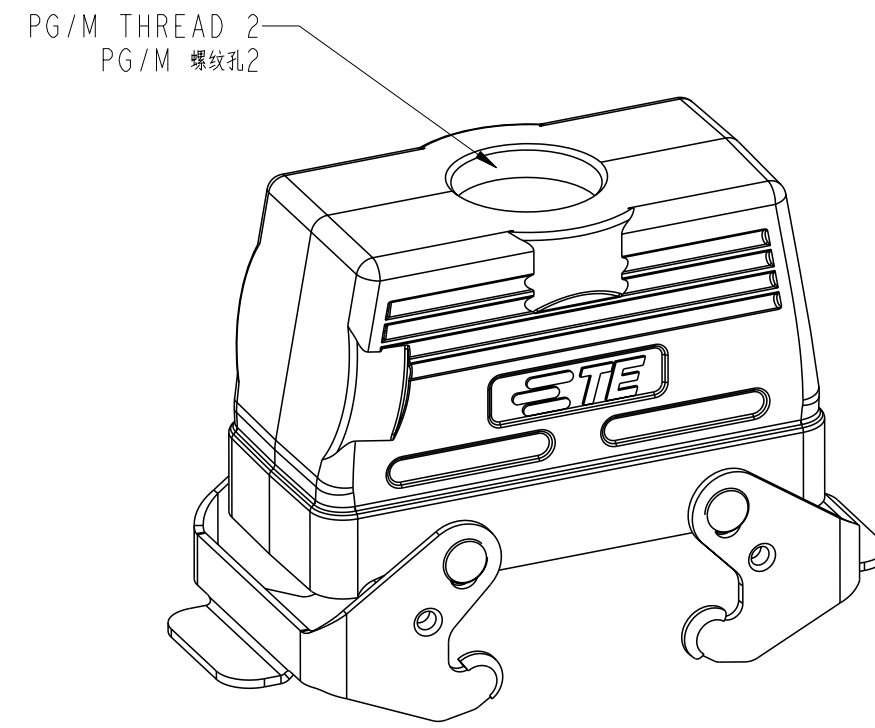
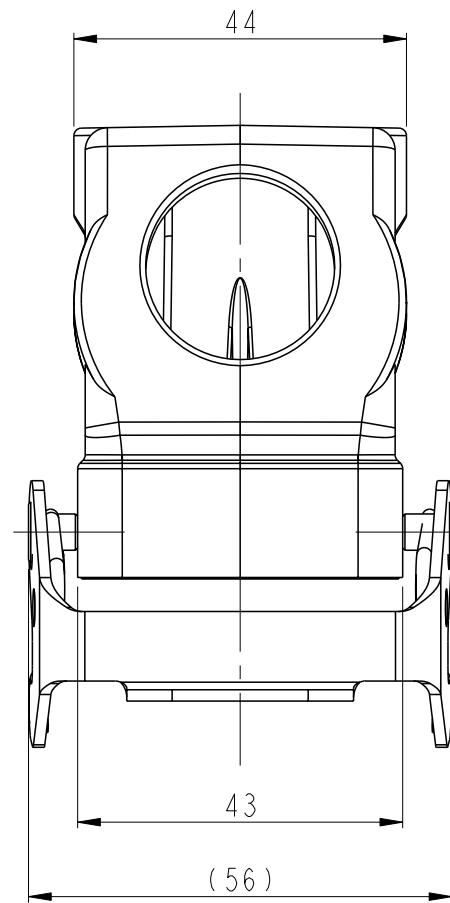
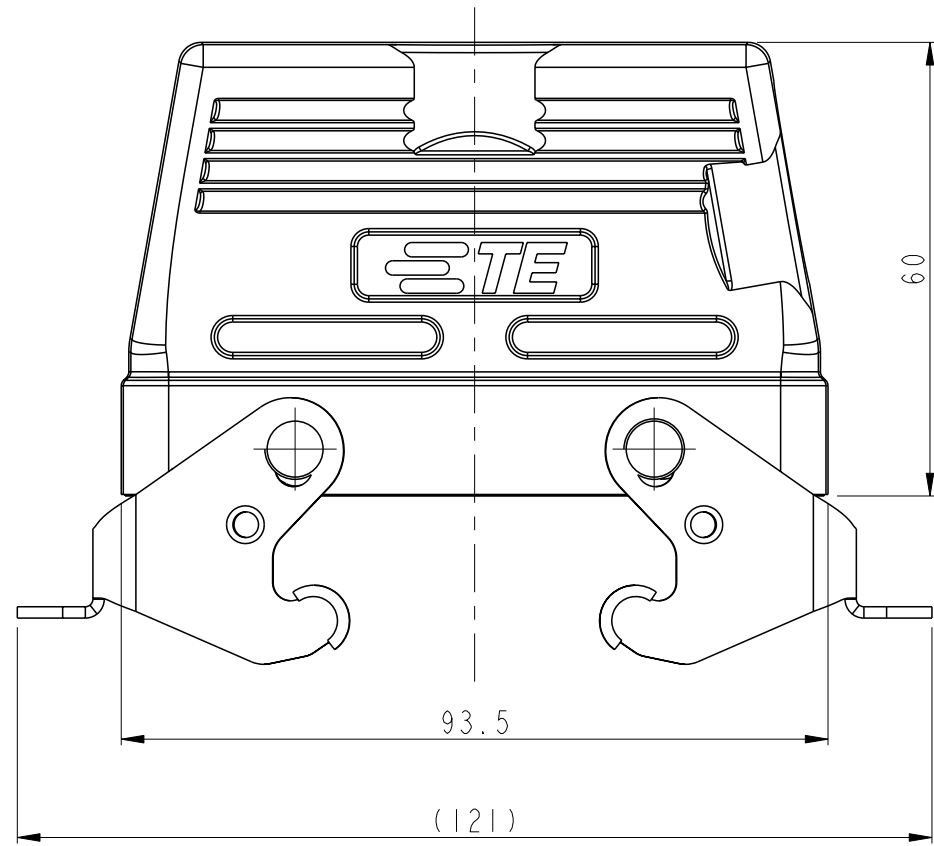


THIS DRAWING IS UNPUBLISHED. RELEASED FOR PUBLICATION 20
 © COPYRIGHT 20 BY - ALL RIGHTS RESERVED.

| REVISIONS | | | | |
|-----------|-----|---------------|-----------|-------|
| P | LTR | DESCRIPTION | DATE | APVD |
| | A | INITIAL | 29MAY2015 | DW CW |
| | A1 | ECR-17-008664 | 17JUN2017 | CH CW |
| | A2 | ECR-18-011767 | 01AUG2018 | JZ CW |



SCALE 4:5

TYPE 2: LOW CONSTRUCTION, TOP ENTRY WITH STEEL DOUBLE LOCKING
 OTHER SPEC REFER TO TYPE 1

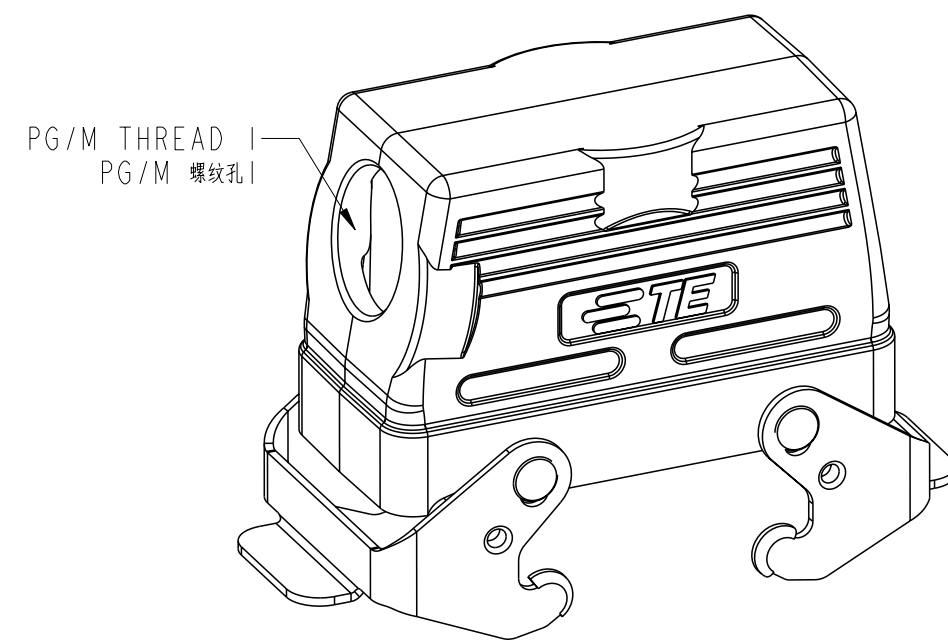
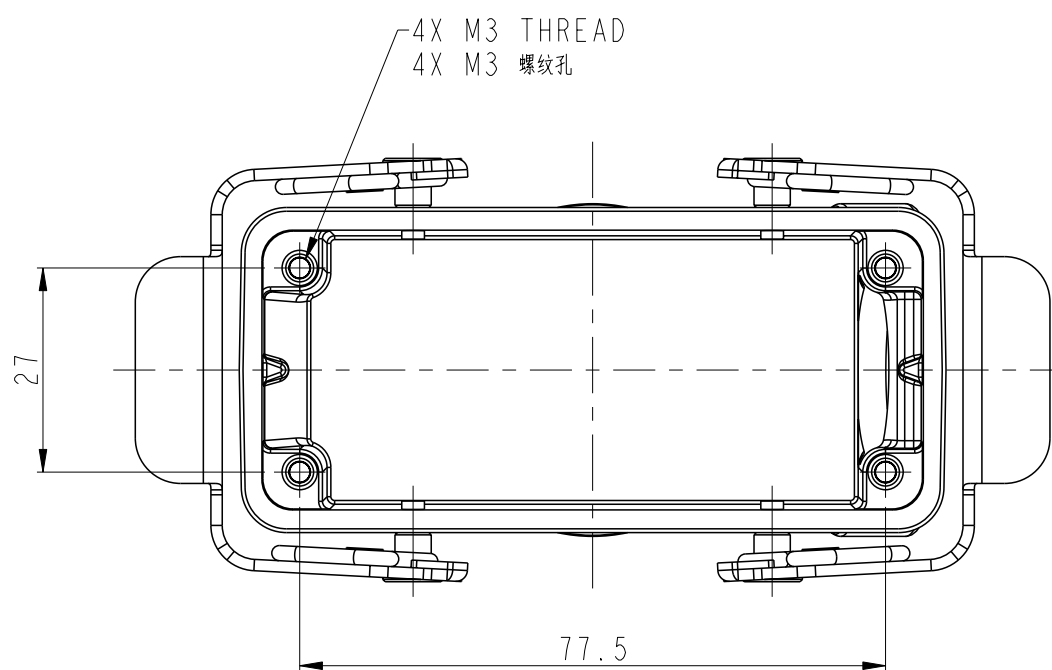
类型2: 低结构, 顶出, 带彩锌双扣, 其它规格参照类型1

NOTES:

- 1. TECHNICAL CHARACTERISTICS:
 HOOD MATERIAL: DIE CAST ALUMINIUM ALLOY
 SURFACE: POWDER COATED, GREY
 DEGREE OF PROTECTION: IP65 (MATED)

注释:

- 1. 技术参数:
 上壳材料: 铝合金
 表面处理: 灰色粉末喷涂
 防护等级: IP65(配合)



SCALE 4:5

TYPE 1: LOW CONSTRUCTION, SIDE ENTRY WITH STEEL DOUBLE LOCKING

类型1: 低结构, 侧出, 带彩锌双扣

| PART NUMBER 料号 | PART DESCRIPTION 描述 | PG/M THREAD 1 PG/M 螺纹孔1 | PG/M THREAD 2 PG/M 螺纹孔2 | TYPE 类型 |
|-------------------|--|----------------------------|----------------------------|---------------|
| TI260162132-000 | H16B-TGB-M32 H16B HOOD, TOP ENTRY M32, METAL DOUBLE LOCKING, POWDER COATED, GREY H16B上壳, 顶出M32, 彩锌双扣, 灰色粉末喷涂 | - | M32 | TYPE 2 类型2 |
| TI260162125-000 | H16B-TGB-M25 H16B HOOD, TOP ENTRY M25, METAL DOUBLE LOCKING, POWDER COATED, GREY H16B上壳, 顶出M25, 彩锌双扣, 灰色粉末喷涂 | - | M25 | |
| TI260162121-000 | H16B-TGB-PG21 H16B HOOD, TOP ENTRY PG21, METAL DOUBLE LOCKING, POWDER COATED, GREY H16B上壳, 顶出PG21, 彩锌双扣, 灰色粉末喷涂 | - | PG21 | |
| TI250162132-000 | H16B-TSB-M32 H16B HOOD, SIDE ENTRY M32, METAL DOUBLE LOCKING, POWDER COATED, GREY H16B上壳, 侧出M32, 彩锌双扣, 灰色粉末喷涂 | M32 | - | TYPE 1 类型1 |
| TI250162125-000 | H16B-TSB-M25 H16B HOOD, SIDE ENTRY M25, METAL DOUBLE LOCKING, POWDER COATED, GREY H16B上壳, 侧出M25, 彩锌双扣, 灰色粉末喷涂 | M25 | - | |
| TI250162121-000 | H16B-TSB-PG21 H16B HOOD, SIDE ENTRY PG21, METAL DOUBLE LOCKING, POWDER COATED, GREY H16B上壳, 侧出PG21, 彩锌双扣, 灰色粉末喷涂 | PG21 | - | |
| TI250162120-000 | H16B-TSB-M20 H16B HOOD, SIDE ENTRY M20, METAL DOUBLE LOCKING, POWDER COATED, GREY H16B上壳, 侧出M20, 彩锌双扣, 灰色粉末喷涂 | M20 | - | |

THIS DRAWING IS A CONTROLLED DOCUMENT.

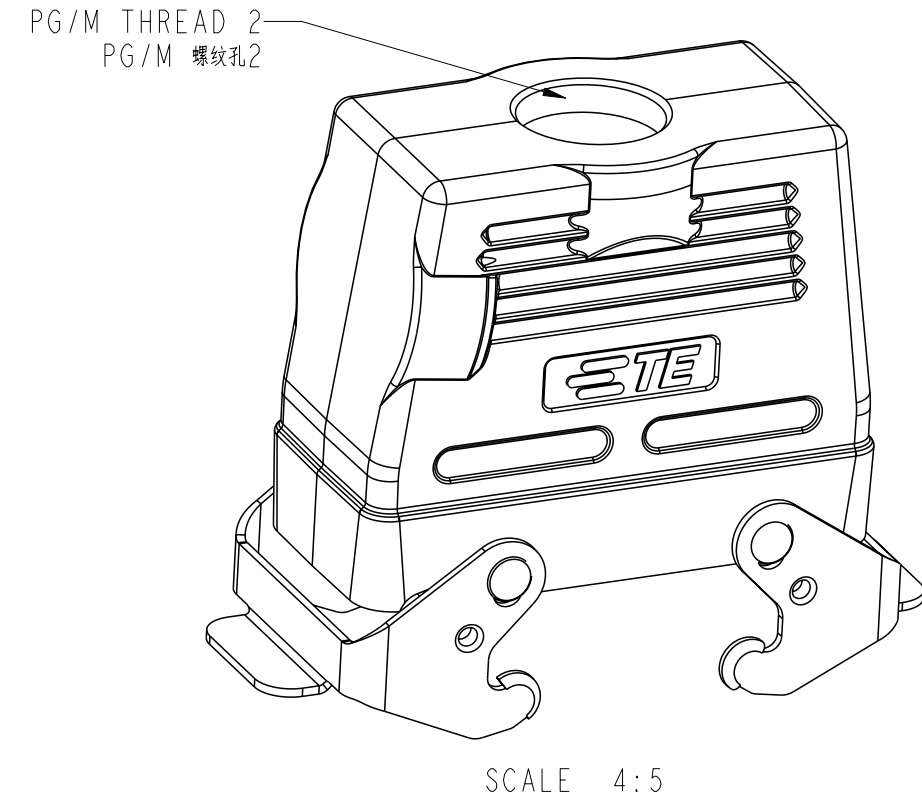
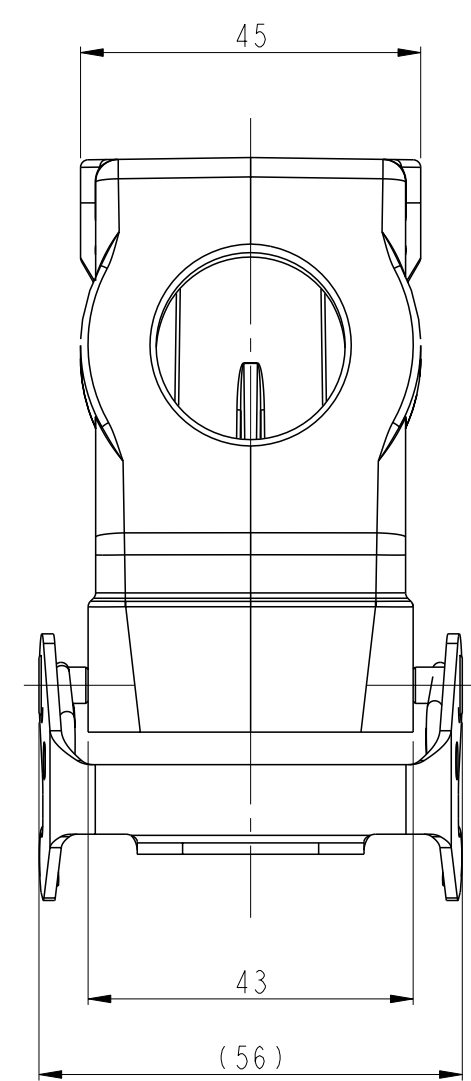
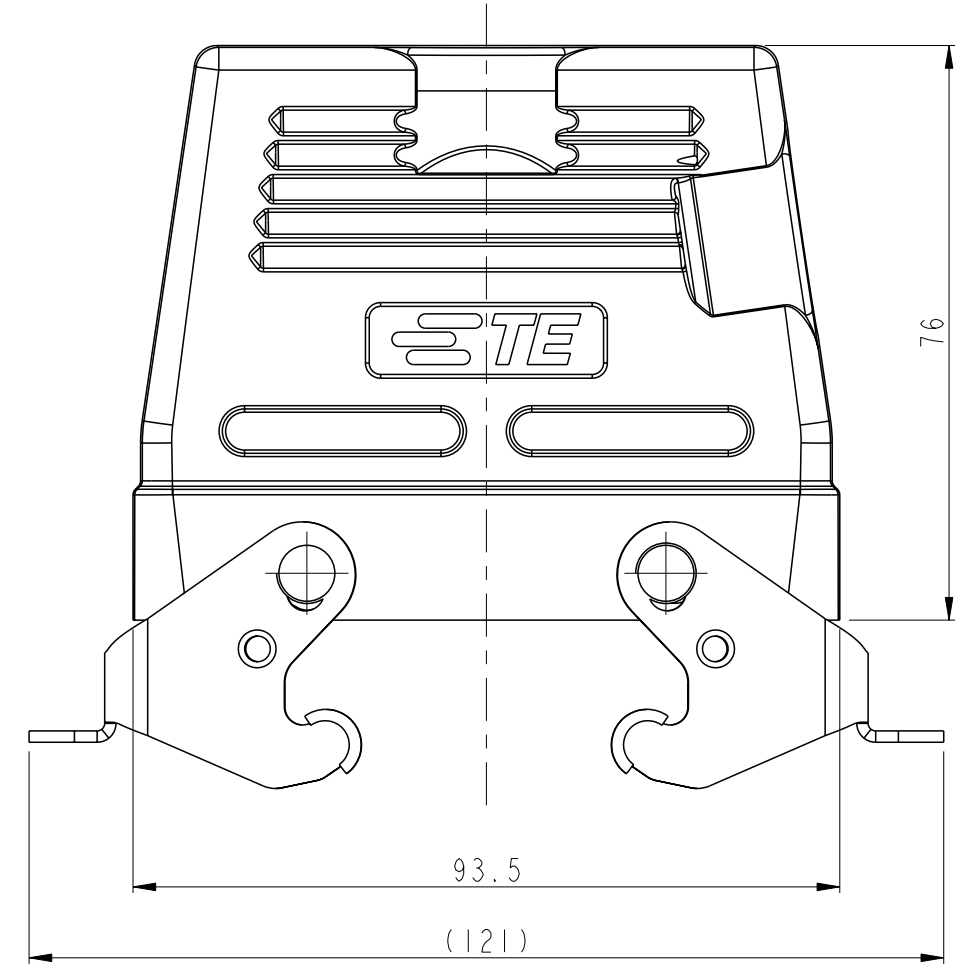
| | |
|-------------------|---|
| DIMENSIONS: mm | TOLERANCES UNLESS OTHERWISE SPECIFIED: 0 PLC ± 1 PLC ± 2 PLC ± 3 PLC ± 4 PLC ± ANGLES ± FINISH |
| MATERIAL | |

| | | |
|----------------------------------|------------------------------|---------------------------------|
| DWN JEREMY.ZHANG 01AUG2018 | CHK GINO.YAO 01AUG2018 | APVD CHRIS.WANG 01AUG2018 |
| PRODUCT SPEC 108-137013 | | |
| APPLICATION SPEC 114-137013 | | |
| WEIGHT | - | |
| Customer Drawing | | |

| | | | |
|--------------------------------|-----------------|--|--------------------|
| TE Connectivity | | NAME H16B-TSB/TGB/TGBH/TSBH/TFBH-M/PG | |
| | | SIZE A2 | CAGE CODE 00779 |
| DRAWING NO G-T12X01621XX000 | | RESTRICTED TO | |
| SCALE 1:1 | SHEET 1 OF 3 | REV A2 | |

THIS DRAWING IS UNPUBLISHED. RELEASED FOR PUBLICATION 20
 © COPYRIGHT 20 BY - ALL RIGHTS RESERVED.

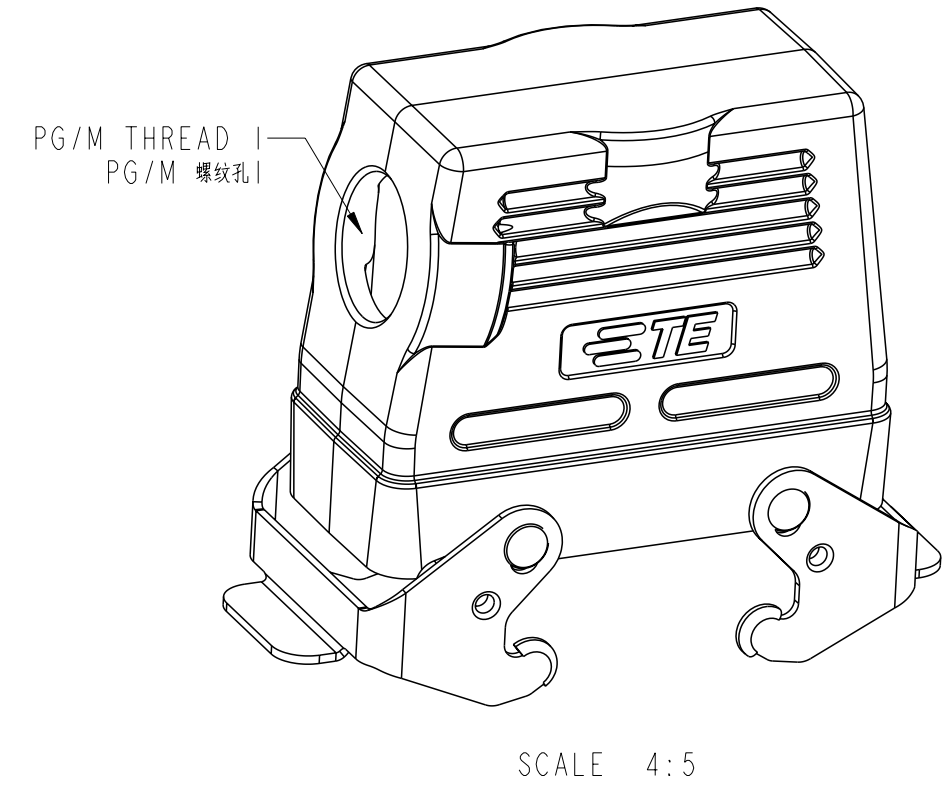
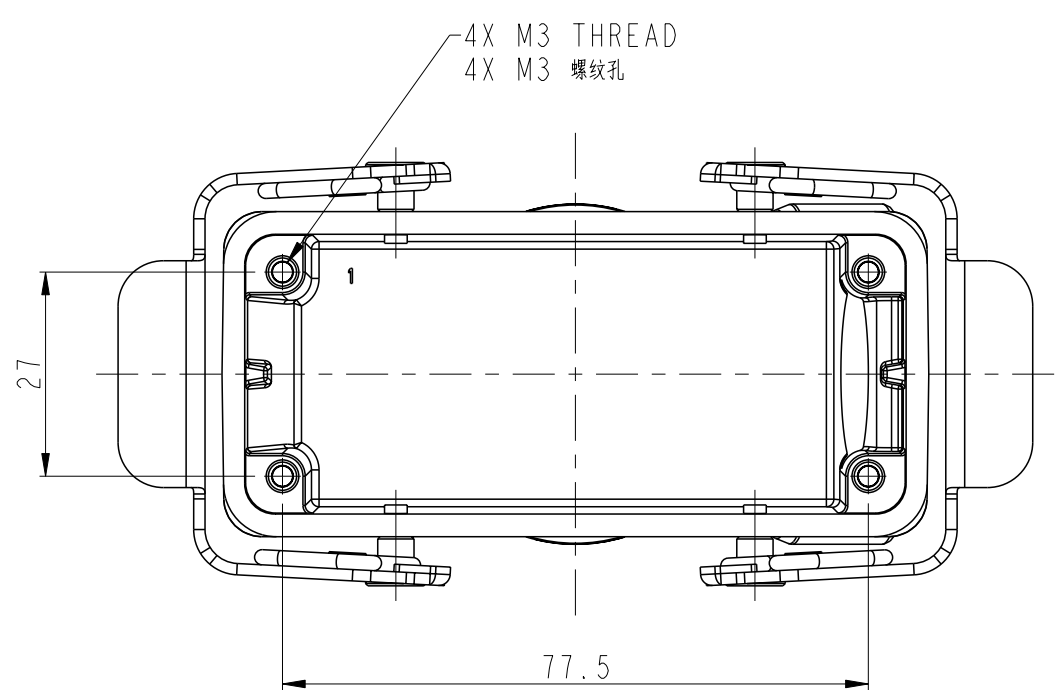
| REVISIONS | | | | |
|-----------|-----|-------------|------|------|
| P | LTR | DESCRIPTION | DATE | APVD |
| - | - | SEE SHEET 1 | - | - |
| | | | | |
| | | | | |



TYPE 4: HIGH CONSTRUCTION, TOP ENTRY WITH STEEL DOUBLE LOCKING
 OTHER SPEC REFER TO TYPE 3
 类型4: 高结构, 顶出, 带彩锌双扣, 其它规格参照类型3

NOTES:
SEE SHEET 1

| PART NUMBER | PART DESCRIPTION | PG/M THREAD 1 | PG/M THREAD 2 | TYPE |
|-----------------|---|---------------|---------------|---------------|
| 料号 | 描述 | PG/M 螺纹孔1 | PG/M 螺纹孔2 | 类型 |
| T1280162140-000 | H16B-TGBH-M40 H16B HOOD, TOP ENTRY M40, METAL DOUBLE LOCKING, HIGH CONSTRUCTION, POWDER COATED, GREY H16B上壳, 顶出M40, 彩锌双扣, 高结构, 灰色粉末喷涂 | - | M40 | TYPE 4 类型4 |
| T1280162132-000 | H16B-TGBH-M32 H16B HOOD, TOP ENTRY M32, METAL DOUBLE LOCKING, HIGH CONSTRUCTION, POWDER COATED, GREY H16B上壳, 顶出M32, 彩锌双扣, 高结构, 灰色粉末喷涂 | - | M32 | |
| T1280162129-000 | H16B-TGBH-PG29 H16B HOOD, TOP ENTRY PG29, METAL DOUBLE LOCKING, HIGH CONSTRUCTION, POWDER COATED, GREY H16B上壳, 顶出PG29, 彩锌双扣, 高结构, 灰色粉末喷涂 | - | PG29 | |
| T1280162125-000 | H16B-TGBH-M25 H16B HOOD, TOP ENTRY M25, METAL DOUBLE LOCKING, HIGH CONSTRUCTION, POWDER COATED, GREY H16B上壳, 顶出M25, 彩锌双扣, 高结构, 灰色粉末喷涂 | - | M25 | |
| T1280162121-000 | H16B-TGBH-PG21 H16B HOOD, TOP ENTRY PG21, METAL DOUBLE LOCKING, HIGH CONSTRUCTION, POWDER COATED, GREY H16B上壳, 顶出PG21, 彩锌双扣, 高结构, 灰色粉末喷涂 | - | PG21 | |
| T1270162140-000 | H16B-TSBH-M40 H16B HOOD, SIDE ENTRY M40, METAL DOUBLE LOCKING, HIGH CONSTRUCTION, POWDER COATED, GREY H16B上壳, 侧出M40, 彩锌双扣, 高结构, 灰色粉末喷涂 | M40 | - | TYPE 3 类型3 |
| T1270162132-000 | H16B-TSBH-M32 H16B HOOD, SIDE ENTRY M32, METAL DOUBLE LOCKING, HIGH CONSTRUCTION, POWDER COATED, GREY H16B上壳, 侧出M32, 彩锌双扣, 高结构, 灰色粉末喷涂 | M32 | - | |
| T1270162129-000 | H16B-TSBH-PG29 H16B HOOD, SIDE ENTRY PG29, METAL DOUBLE LOCKING, HIGH CONSTRUCTION, POWDER COATED, GREY H16B上壳, 侧出PG29, 彩锌双扣, 高结构, 灰色粉末喷涂 | PG29 | - | |
| T1270162125-000 | H16B-TSBH-M25 H16B HOOD, SIDE ENTRY M25, METAL DOUBLE LOCKING, HIGH CONSTRUCTION, POWDER COATED, GREY H16B上壳, 侧出M25, 彩锌双扣, 高结构, 灰色粉末喷涂 | M25 | - | |
| T1270162121-000 | H16B-TSBH-PG21 H16B HOOD, SIDE ENTRY PG21, METAL DOUBLE LOCKING, HIGH CONSTRUCTION, POWDER COATED, GREY H16B上壳, 侧出PG21, 彩锌双扣, 高结构, 灰色粉末喷涂 | PG21 | - | |



TYPE 3: HIGH CONSTRUCTION, SIDE ENTRY WITH STEEL DOUBLE LOCKING
 类型3: 高结构, 侧出, 带彩锌双扣

THIS DRAWING IS A CONTROLLED DOCUMENT.

DWN: 01AUG2018 JEREMY.ZHANG
 CHK: 01AUG2018 GINO.YAO
 APVD: 01AUG2018 CHRIS.WANG

TE Connectivity
 NAME: H16B-TSB/TGB/TGBH/TSBH/TFBH-M/PG

PRODUCT SPEC: 108-137013
 APPLICATION SPEC: 114-137013

MATERIAL: - FINISH: - WEIGHT: -

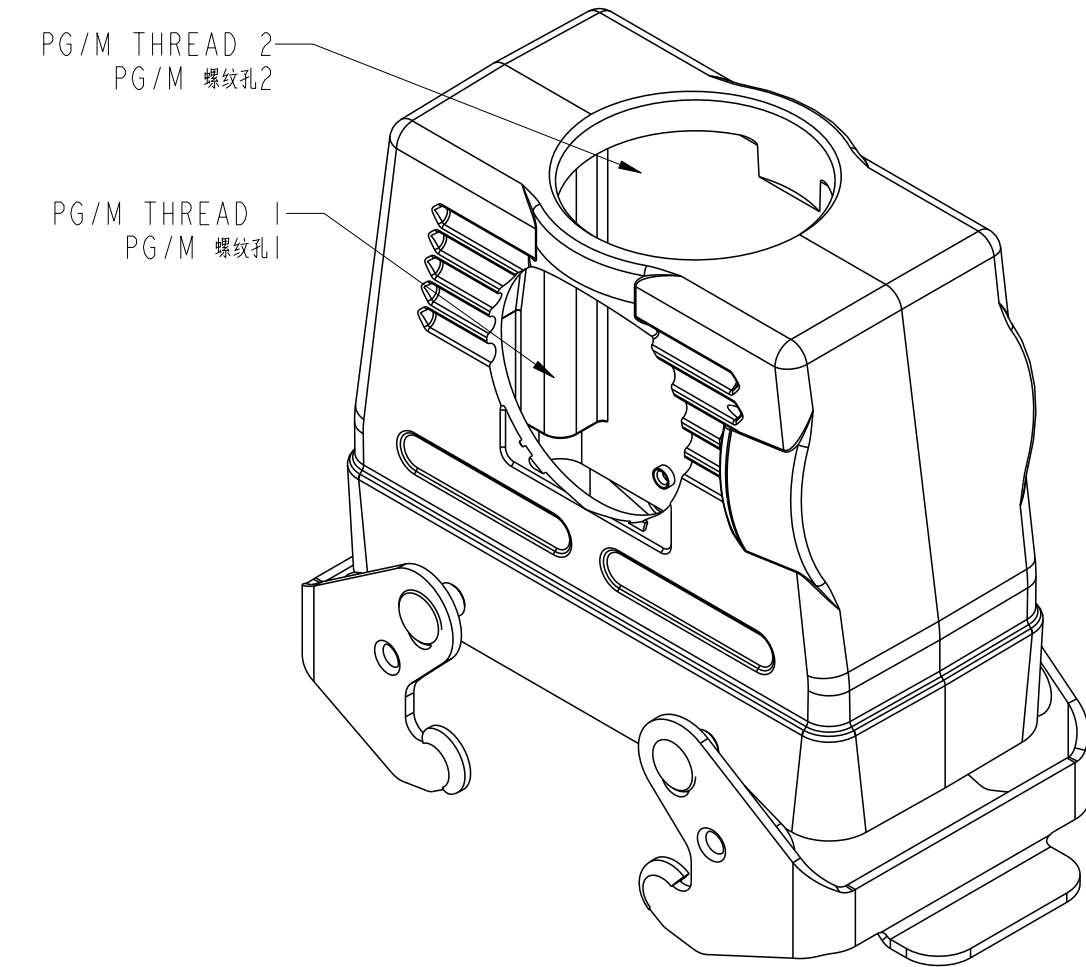
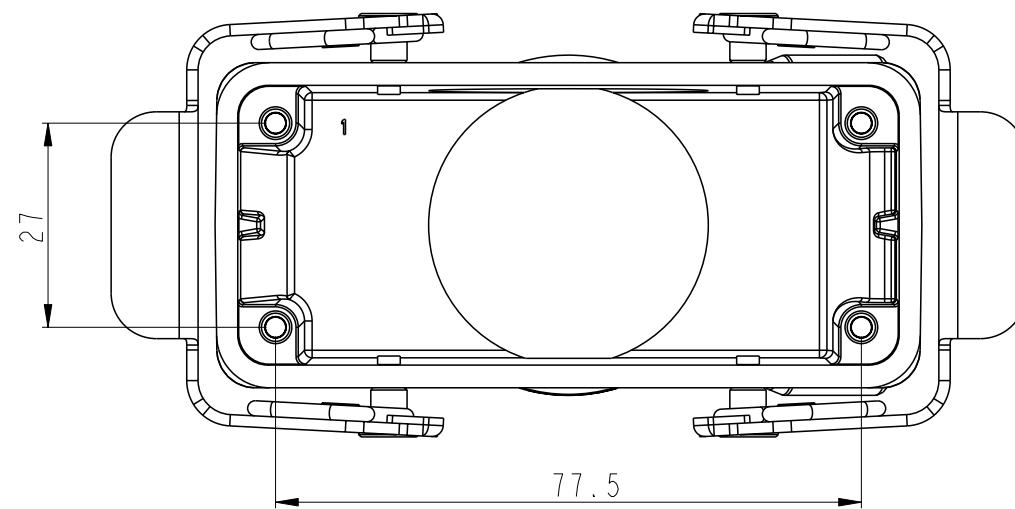
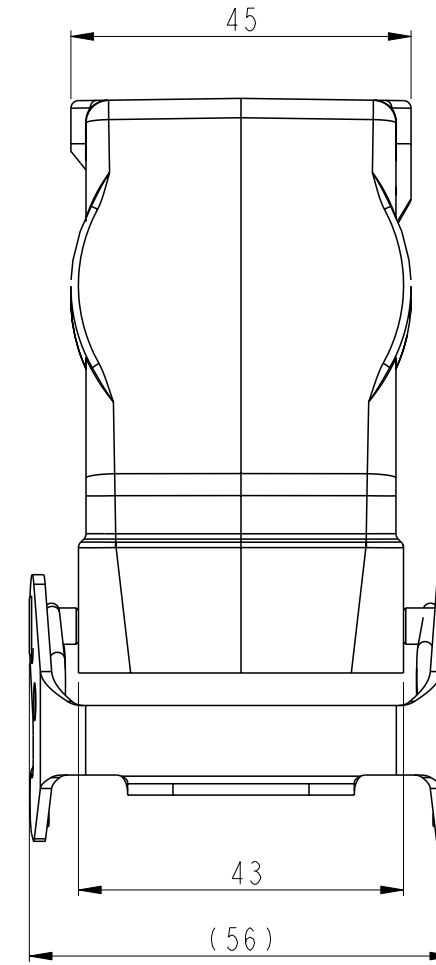
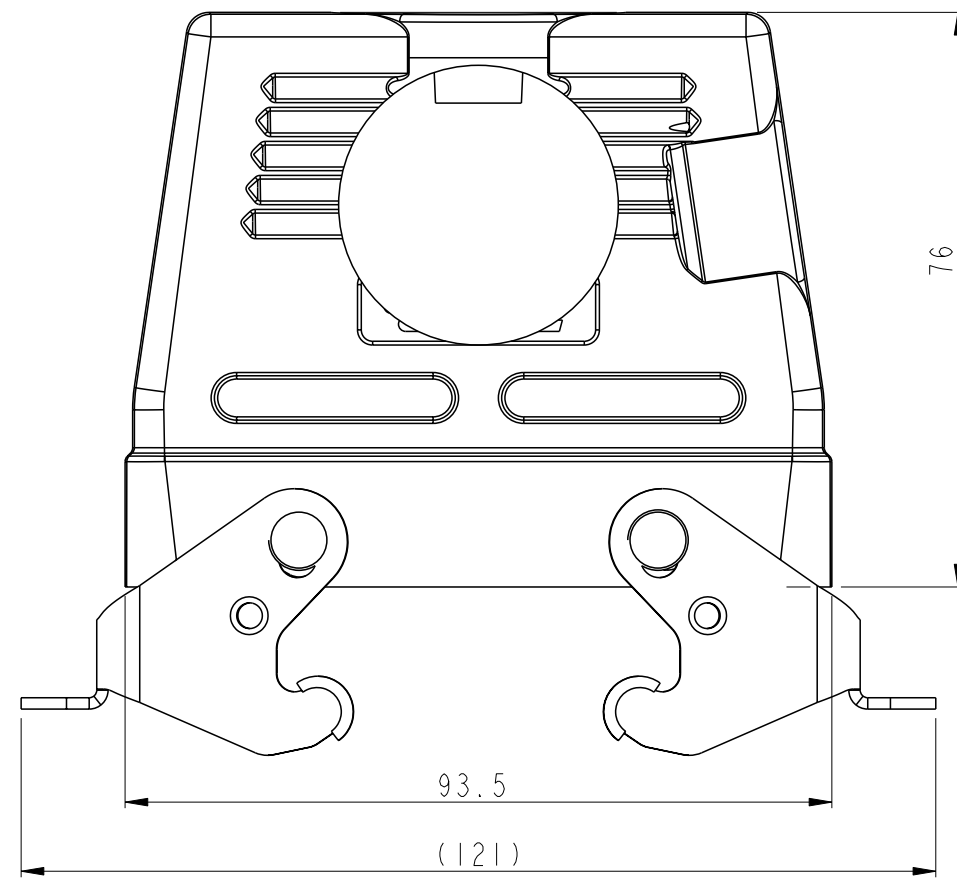
Customer Drawing

SIZE: A2 CAGE CODE: 00779 DRAWING NO: C-T12X01621XX000 RESTRICTED TO: -
 SCALE: 1:1 SHEET: 2 OF 3 REV: A2

THIS DRAWING IS UNPUBLISHED. RELEASED FOR PUBLICATION 20
 © COPYRIGHT 20 BY - ALL RIGHTS RESERVED.

| REVISIONS | | | | |
|-----------|-----|-------------|------|------|
| P | LTR | DESCRIPTION | DATE | APVD |
| - | | SEE SHEET 1 | - | - |
| | | | | |
| | | | | |

NOTES:
SEE SHEET 1



TYPE 5: HIGH CONSTRUCTION, TOP & FRONT ENTRY WITH STEEL DOUBLE LOCKING
 OTHER SPEC REFER TO TYPE 4
 类型5: 高结构, 顶出和前出, 带彩锌双扣, 其它规格参照类型4

| | | | | | |
|-------------------|--------------------------|---|----------------------------|----------------------------|--------------|
| T1290162929-000 | HI6B-TGBH/TFBH-PG29/PG29 | HI6B HOOD, TOP AND FRONT ENTRY PG29, METAL DOUBLE LOCKING, HIGH CONSTRUCTION, POWDER COATED, GREY HI6B上壳, 顶出和前出PG29, 彩锌双扣, 高结构, 灰色粉末喷涂 | PG29 | PG29 | TYPE5 类型5 |
| PART NUMBER 料号 | PART DESCRIPTION 描述 | | PG/M THREAD 1 PG/M 螺纹孔1 | PG/M THREAD 2 PG/M 螺纹孔2 | TYPE 类型 |

THIS DRAWING IS A CONTROLLED DOCUMENT.

| | | |
|------------------|------------|--------------|
| DWN | 01AUG2018 | JEREMY.ZHANG |
| CHK | 01AUG2018 | GINO.WANG |
| APVD | 01AUG2018 | CHRIS.WANG |
| PRODUCT SPEC | 108-137013 | |
| APPLICATION SPEC | 114-137013 | |
| WEIGHT | - | |
| Customer Drawing | | |

TE Connectivity

NAME HI6B-TSB/TGB/TGBH/TSBH/TFBH-M/PG

| | | | |
|-------|-----------|------------------|---------------|
| SIZE | CAGE CODE | DRAWING NO | RESTRICTED TO |
| A2 | 00779 | G-T12X01621XX000 | - |
| SCALE | 1:1 | SHEET | 3 OF 3 |
| REV | A2 | | |

X-ON Electronics

Largest Supplier of Electrical and Electronic Components

Click to view similar products for [Heavy Duty Power Connectors](#) category:

Click to view products by [TE Connectivity](#) manufacturer:

Other Similar products are found below :

[1424439](#) [1424438](#) [09330062652](#) [2-8675P1](#) [605601-1](#) [6340G1](#) [6341G1](#) [6360G1](#) [6373G1](#) [6374g2](#) [6396G1](#) [647757-1](#) [66394-4](#) [6643411-1](#)
[6646058-2](#) [6646137-1](#) [6646138-1](#) [6646348-1](#) [6646479-1](#) [6646608-1](#) [6646786-1](#) [6646940-1](#) [6651091-1](#) [6651525-1](#) [6651529-1](#) [6651778-1](#)
[6651788-1](#) [696465-1](#) [696475-1](#) [73000005059](#) [73000005349](#) [73000005642](#) [73080255059](#) [73080965046](#) [765-15-0080A](#) [765-16-0080B](#)
[789.700-44](#) [789.700-54](#) [80-1010](#) [80-9](#) [827381-1](#) [829992-1](#) [902-77-02113](#) [PL00U-301-10D10](#) [PM103MOOLOO](#) [PM16S1620S32-50](#)
[PM212MOOLOO](#) [PM309FOOLOO](#) [PM324FOOLCH](#) [PMHPAF11S03](#)