

4

3

2

1

THIS DRAWING IS UNPUBLISHED.

RELEASED FOR PUBLICATION

20

© COPYRIGHT 20 BY -

ALL RIGHTS RESERVED.

REVISIONS

P	LTR	DESCRIPTION	DATE	DWN	APVD
	A	INITIAL RELEASE	25JUN2015	DL	CW

57
43
73
27
4-M3

(100.8)
75.6
53

27
(94.3)

NOTES:
1. TECHNICAL CHARACTERISTICS:
BODY MATERIAL: DIE CAST ALUMINIUM ALLOY
SURFACE TREATMENT: POWDER-COATED, GRAY
OPERATION TEMPERATURE: -40-+125°C
DEGREE OF PROTECTION: IP65 (MATED)

注释:
1. 技术参数:
主体材料: 铝合金
表面处理: 粉末喷涂, 灰色
工作温度: -40-+125°C
防护等级: IP65(配合)

1G2
27

82
45
57
94
4-Ø6

TYPE 1: HIGH BODY + DOUBLE STAINLESS STEEL LOCKING

TI470101121-000	TYPE 1	H10B-SGRHS-PG21	PG21	-
TI470101129-000		H10B-SGRHS-PG29	PG29	-
TI470101132-000		H10B-SGRHS-M32	M32	-
TI470101221-000		H10B-SGRHS-2PG21	PG21	PG21
TI470101229-000		H10B-SGRHS-2PG29	PG29	PG29
TI470101232-000		H10B-SGRHS-2M32	M32	M32
ASSEMBLY PART NUMBER	TYPE	ASSEMBLY PART DESCRIPTION	1G1	1G2

THIS DRAWING IS A CONTROLLED DOCUMENT.

DWN 25JUN2015

DAVID LI

CHK 25JUN2015

CHRIS WANG

APVD 25JUN2015

XU XIANG

PRODUCT SPEC

108-137013

APPLICATION SPEC

114-137013

WEIGHT

-

CUSTOMER DRAWING

TE Connectivity

NAME
H10B-SGRHS-PG/M

SIZE CAGE CODE DRAWING NO RESTRICTED TO

A3 - ©-TI47010XXXX000 -

SCALE 3:5 SHEET 1 OF 2 REV A

DIMENSIONS:

mm

TOLERANCES UNLESS OTHERWISE SPECIFIED:

0 PLC	±-
1 PLC	±-
2 PLC	±-
3 PLC	±-
4 PLC	±-
ANGLES	±-

MATERIAL
TBD

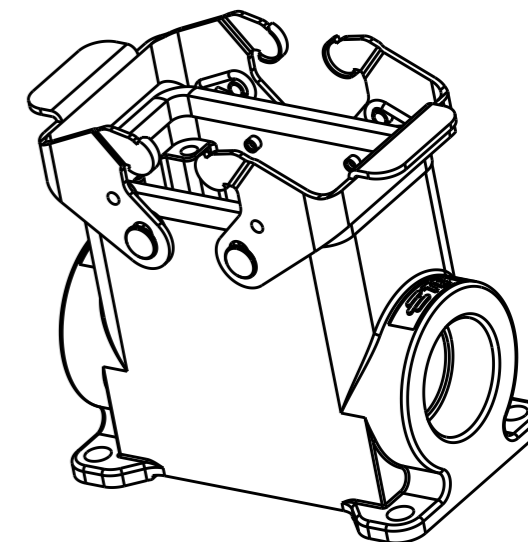
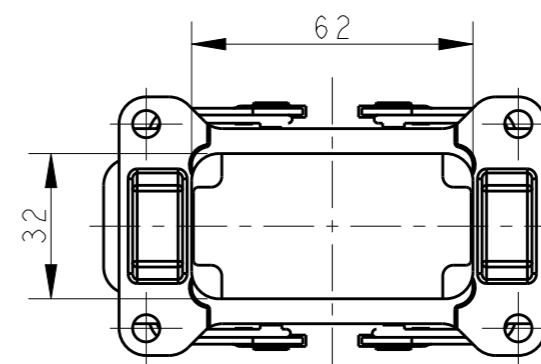
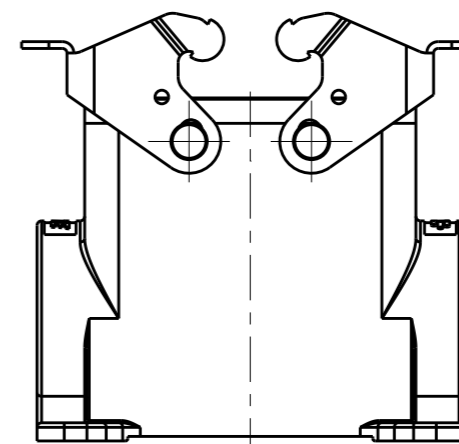
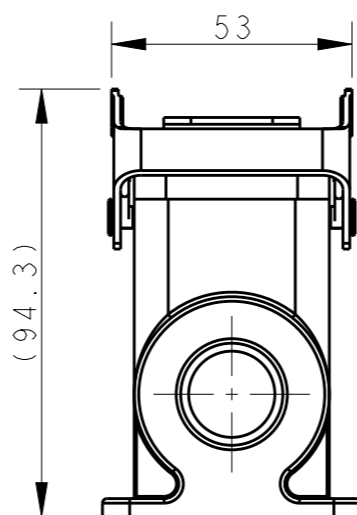
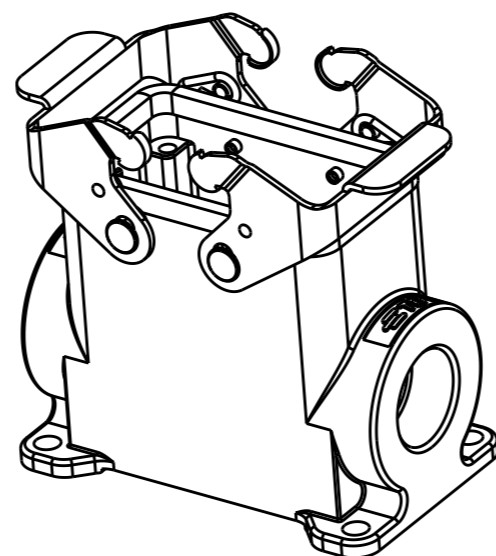
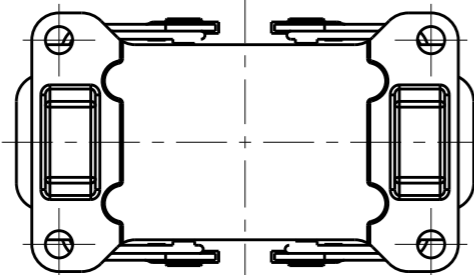
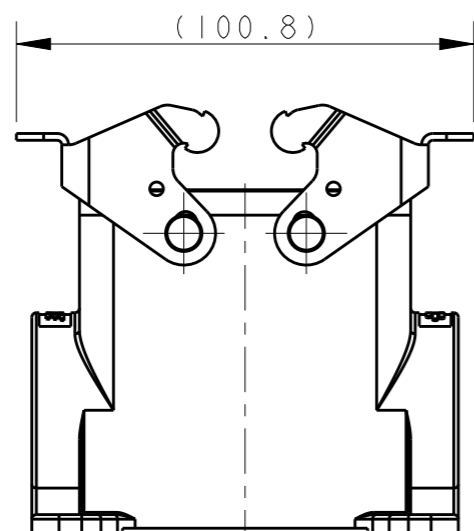
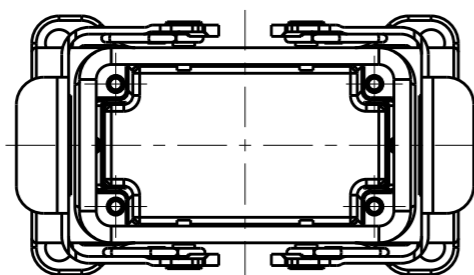
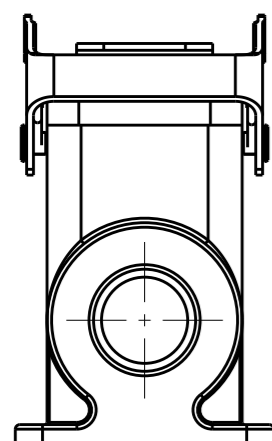
FINISH

-

1470-19 (3/13)

REVISIONS

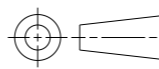
P	LTR	DESCRIPTION	DATE	DWN	APVD
-	-	SEE SHEET 1	-	-	-




TYPE 2: HIGH BODY + DOUBLE STEEL LOCKING
OTHER SPEC REFER TO TYPE 1

TYPE 3: HIGH BODY + DOUBLE STEEL LOCKING
BOTTOM CUT OUT
OTHER SPEC REFER TO TYPE 2

T1470102116-000	TYPE 2	H10B-SGRH-PG16	PG16	-
T1470102121-000		H10B-SGRH-PG21	PG21	-
T1470102125-000		H10B-SGRH-M25	M25	-
T1470102129-000		H10B-SGRH-PG29	PG29	-
T1470102132-000		H10B-SGRH-M32	M32	-
T1470102221-000		H10B-SGRH-2PG21	PG21	PG21
T1470102225-000		H10B-SGRH-2M25	M25	M25
T1470102229-000		H10B-SGRH-2PG29	PG29	PG29
T1470102232-000		H10B-SGRH-2M32	M32	M32
T1470100000-000		TYPE 3	H10B-SGRH	-
ASSEMBLY PART NUMBER	TYPE	ASSEMBLY PART DESCRIPTION	IG1	IG2

THIS DRAWING IS A CONTROLLED DOCUMENT.	
DIMENSIONS: mm	TOLERANCES UNLESS OTHERWISE SPECIFIED:
	0 PLC ±-
	1 PLC ±-
	2 PLC ±-
	3 PLC ±-
	4 PLC ±-
	ANGLES ±-
MATERIAL TBD	FINISH -

DWN DAVID LI 25JUN2015	 TE Connectivity
CHK CHRIS WANG 25JUN2015	
APVD XU XIANG 25JUN2015	
NAME H10B-SGRH-PG/M	
PRODUCT SPEC 108-137013	SIZE A3
APPLICATION SPEC 114-137013	CAGE CODE -
WEIGHT -	DRAWING NO C-T147010XXXX000
CUSTOMER DRAWING	RESTRICTED TO -
SCALE 3:5	SHEET 2 OF 2
REV A	

X-ON Electronics

Largest Supplier of Electrical and Electronic Components

Click to view similar products for [Heavy Duty Power Connectors](#) category:

Click to view products by [TE Connectivity](#) manufacturer:

Other Similar products are found below :

[1424439](#) [1424438](#) [09330062652](#) [2-8675P1](#) [605601-1](#) [6340G1](#) [6341G1](#) [6360G1](#) [6373G1](#) [6374g2](#) [6396G1](#) [647757-1](#) [66394-4](#) [6643411-1](#)
[6646058-2](#) [6646137-1](#) [6646138-1](#) [6646348-1](#) [6646479-1](#) [6646608-1](#) [6646786-1](#) [6646940-1](#) [6651091-1](#) [6651525-1](#) [6651529-1](#) [6651778-1](#)
[6651788-1](#) [696465-1](#) [696475-1](#) [73000005059](#) [73000005349](#) [73000005642](#) [73080255059](#) [73080965046](#) [765-15-0080A](#) [765-16-0080B](#)
[789.700-44](#) [789.700-54](#) [80-1010](#) [80-9](#) [827381-1](#) [829992-1](#) [902-77-02113](#) [PL00U-301-10D10](#) [PM103MOOLOO](#) [PM16S1620S32-50](#)
[PM212MOOLOO](#) [PM309FOOLOO](#) [PM324FOOLCH](#) [PMHPAF11S03](#)