

THIS DRAWING IS UNPUBLISHED.

RELEASED FOR PUBLICATION

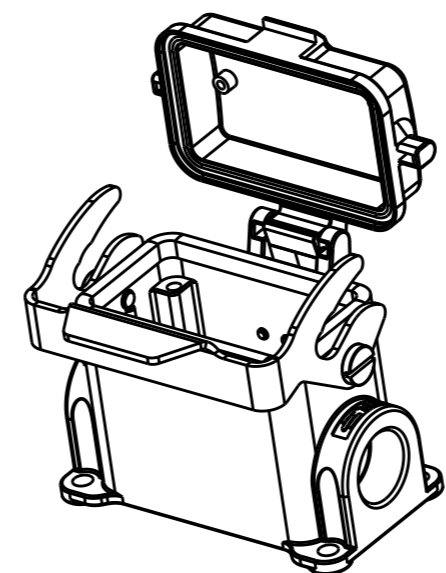
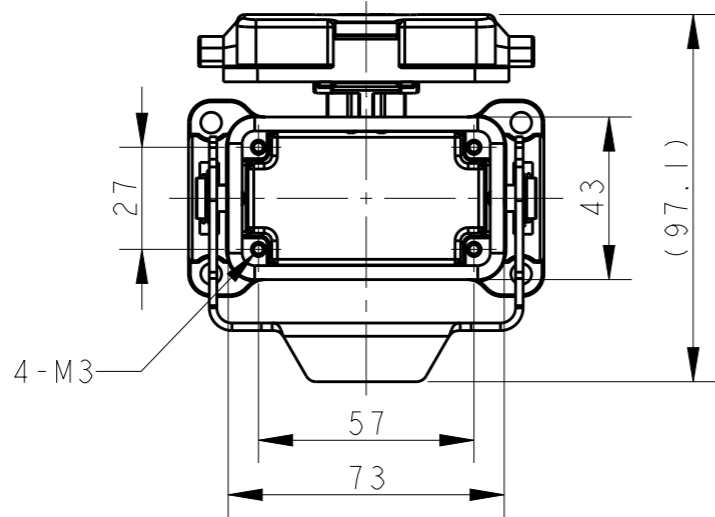
20

© COPYRIGHT 20 BY -

ALL RIGHTS RESERVED.

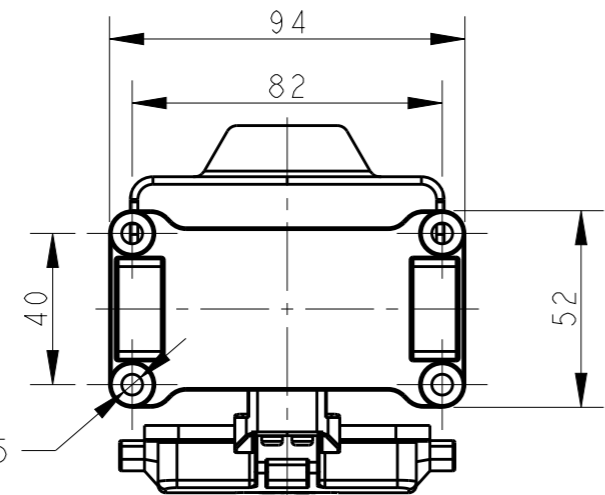
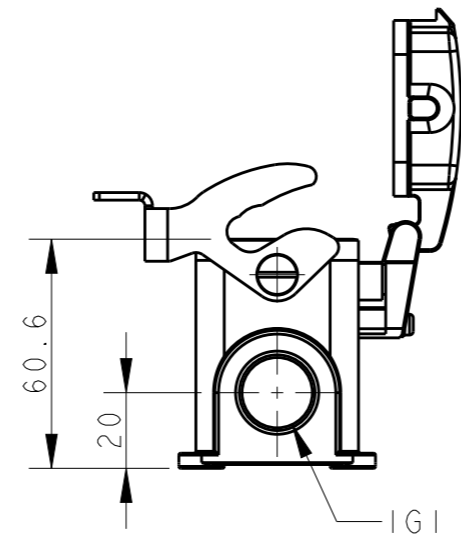
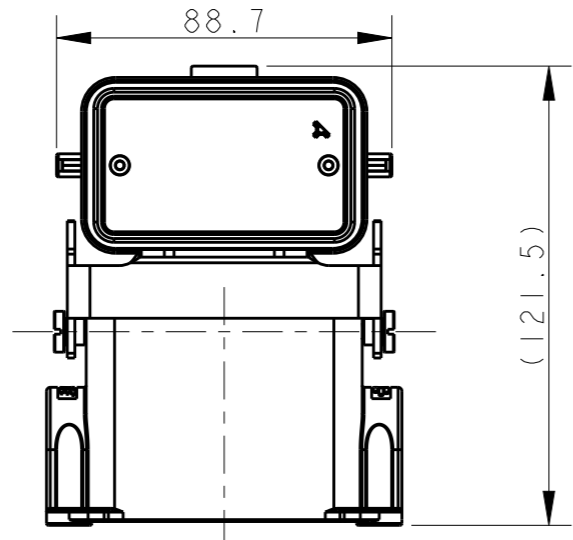
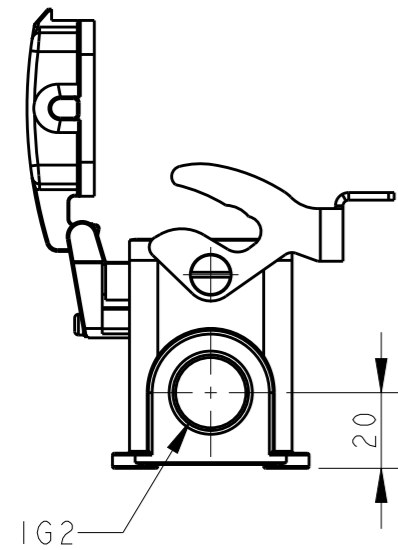
REVISIONS

| P | LTR | DESCRIPTION | DATE | DWN | APVD |
|---|-----|-----------------|-----------|-----|------|
| | A | INITIAL RELEASE | 25JUN2015 | DL | CW |
| | | | | | |
| | | | | | |



NOTES:
 1. TECHNICAL CHARACTERISTICS:
 BODY MATERIAL: DIE CAST ALUMINIUM ALLOY
 SURFACE TREATMENT: POWDER-COATED, GRAY
 OPERATION TEMPERATURE: -40-+125°C
 DEGREE OF PROTECTION: IP65 (MATED)

注释:
 1. 技术参数:
 主体材料: 铝合金
 表面处理: 粉末喷涂, 灰色
 工作温度: -40-+125°C
 防护等级: IP65(配合)



| | | | | |
|----------------------|--------|---------------------------|------|------|
| T1620103116-000 | TYPE I | H10B-SDR-LB-PG16 | PG21 | - |
| T1620103120-000 | | H10B-SDR-LB-M20 | M25 | - |
| T1620103121-000 | | H10B-SDR-LB-PG21 | PG29 | - |
| T1620103125-000 | | H10B-SDR-LB-M25 | M32 | - |
| T1620103216-000 | | H10B-SDR-LB-2PG16 | PG21 | PG21 |
| T1620103220-000 | | H10B-SDR-LB-2M20 | PG29 | PG29 |
| T1620103225-000 | | H10B-SDR-LB-2M25 | M32 | M32 |
| ASSEMBLY PART NUMBER | TYPE | ASSEMBLY PART DESCRIPTION | IG1 | IG2 |

TYPE I: BODY + STEEL LOCKING + PLASTIC PROTECTION COVER

| | | | | | | | | | | | | | | | | |
|--|----|------------------|------------|-----------|------------------------------|------------------|-----------|--------|------------|------------------|---------------|----|--------|----|--------------|------------|
| THIS DRAWING IS A CONTROLLED DOCUMENT. | | DWN | DAVID LI | 25JUN2015 | TE TE Connectivity | | | | | | | | | | | |
| DIMENSIONS: mm | | CHK | CHRIS WANG | 25JUN2015 | | | | | | | | | | | | |
| TOLERANCES UNLESS OTHERWISE SPECIFIED: | | APVD | XU XIANG | 25JUN2015 | | | | | | | | | | | | |
| <table border="0"> <tr><td>0 PLC</td><td>±-</td></tr> <tr><td>1 PLC</td><td>±-</td></tr> <tr><td>2 PLC</td><td>±-</td></tr> <tr><td>3 PLC</td><td>±-</td></tr> <tr><td>4 PLC</td><td>±-</td></tr> <tr><td>ANGLES</td><td>±-</td></tr> </table> | | 0 PLC | ±- | 1 PLC | | ±- | 2 PLC | ±- | 3 PLC | ±- | 4 PLC | ±- | ANGLES | ±- | PRODUCT SPEC | 108-137013 |
| 0 PLC | ±- | | | | | | | | | | | | | | | |
| 1 PLC | ±- | | | | | | | | | | | | | | | |
| 2 PLC | ±- | | | | | | | | | | | | | | | |
| 3 PLC | ±- | | | | | | | | | | | | | | | |
| 4 PLC | ±- | | | | | | | | | | | | | | | |
| ANGLES | ±- | | | | | | | | | | | | | | | |
| MATERIAL TBD | | APPLICATION SPEC | 114-137013 | | NAME | H10B-SDR-LB-PG/M | | | | | | | | | | |
| FINISH - | | WEIGHT | - | | SIZE | A3 | CAGE CODE | - | DRAWING NO | ©-T162010XXXX000 | RESTRICTED TO | - | | | | |
| - | | CUSTOMER DRAWING | | | SCALE | 1:2 | SHEET | 1 OF 2 | REV | A | | | | | | |

THIS DRAWING IS UNPUBLISHED.

RELEASED FOR PUBLICATION

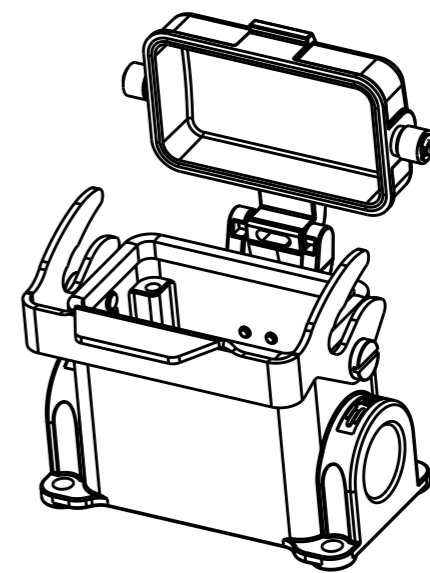
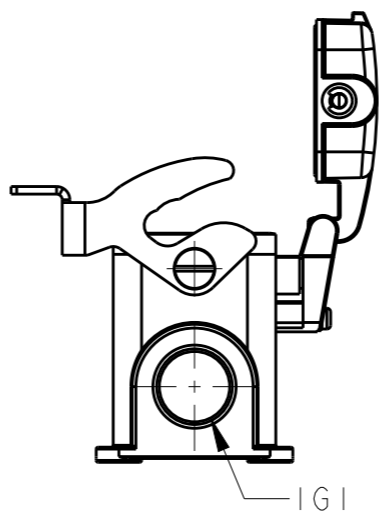
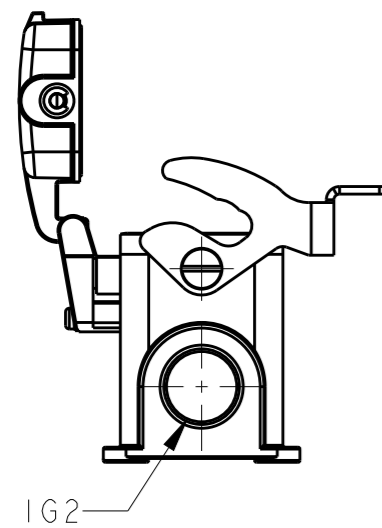
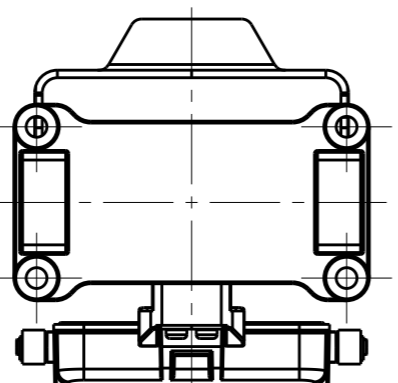
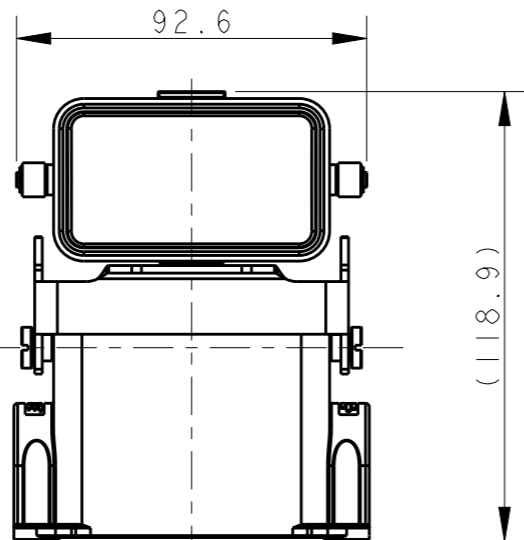
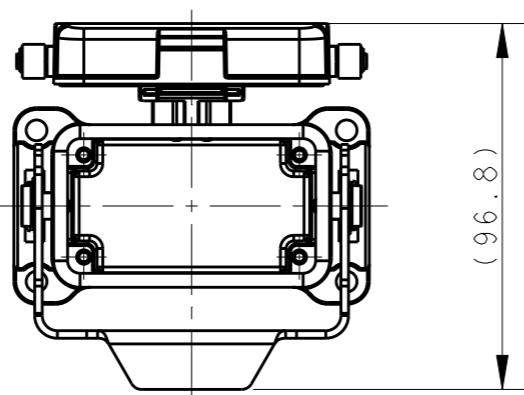
20

© COPYRIGHT 20 BY -

ALL RIGHTS RESERVED.

REVISIONS

| P | LTR | DESCRIPTION | DATE | DWN | APVD |
|---|-----|-------------|------|-----|------|
| - | - | SEE SHEET 1 | - | - | - |
| | | | | | |
| | | | | | |



TYPE 2: BODY + STEEL LOCKING + METAL PROTECTION COVER
 OTHER SPEC REFER TO TYPE 1

| | | | | |
|----------------------|--------|---------------------------|------|------|
| TI620103416-000 | TYPE 2 | H10B-SDRM-LB-PG16 | PG21 | - |
| TI620103420-000 | | H10B-SDRM-LB-M20 | PG29 | - |
| TI620103425-000 | | H10B-SDRM-LB-M25 | M32 | - |
| TI620103316-000 | | H10B-SDRM-LB-2PG16 | PG21 | PG21 |
| TI620103320-000 | | H10B-SDRM-LB-2M20 | PG29 | PG29 |
| TI620103325-000 | | H10B-SDRM-LB-2M25 | M32 | M32 |
| ASSEMBLY PART NUMBER | TYPE | ASSEMBLY PART DESCRIPTION | IG1 | IG2 |

THIS DRAWING IS A CONTROLLED DOCUMENT.

| DIMENSIONS: | TOLERANCES UNLESS OTHERWISE SPECIFIED: |
|-------------|--|
| mm | |
| | 0 PLC ±- |
| | 1 PLC ±- |
| | 2 PLC ±- |
| | 3 PLC ±- |
| | 4 PLC ±- |
| | ANGLES ±- |
| MATERIAL | FINISH |
| TBD | - |
| - | - |

| | | |
|------------------|------------|-----------|
| DWN | DAVID LI | 25JUN2015 |
| CHK | CHRIS WANG | 25JUN2015 |
| APVD | XU XIANG | 25JUN2015 |
| PRODUCT SPEC | 108-137013 | |
| APPLICATION SPEC | 114-137013 | |
| WEIGHT | - | |
| CUSTOMER DRAWING | | |

| | | | | | |
|-------|---|------------------|-----------|-------------------|---------------|
| | | NAME | | H10B-SDRM-LB-PG/M | |
| | | SIZE | CAGE CODE | DRAWING NO | RESTRICTED TO |
| A3 | - | ©-TI62010XXXX000 | - | | |
| SCALE | | 1:2 | SHEET | 2 OF 2 | REV |
| | | | | | A |

X-ON Electronics

Largest Supplier of Electrical and Electronic Components

Click to view similar products for [Heavy Duty Power Connectors](#) category:

Click to view products by [TE Connectivity](#) manufacturer:

Other Similar products are found below :

[1424439](#) [1424438](#) [09330062652](#) [2-8675P1](#) [605601-1](#) [6340G1](#) [6341G1](#) [6360G1](#) [6373G1](#) [6374g2](#) [6396G1](#) [647757-1](#) [66394-4](#) [6643411-1](#)
[6646058-2](#) [6646137-1](#) [6646138-1](#) [6646348-1](#) [6646479-1](#) [6646608-1](#) [6646786-1](#) [6646940-1](#) [6651091-1](#) [6651525-1](#) [6651529-1](#) [6651778-1](#)
[6651788-1](#) [696465-1](#) [696475-1](#) [73000005059](#) [73000005349](#) [73000005642](#) [73080255059](#) [73080965046](#) [765-15-0080A](#) [765-16-0080B](#)
[789.700-44](#) [789.700-54](#) [80-1010](#) [80-9](#) [827381-1](#) [829992-1](#) [902-77-02113](#) [PL00U-301-10D10](#) [PM103MOOLOO](#) [PM16S1620S32-50](#)
[PM212MOOLOO](#) [PM309FOOLOO](#) [PM324FOOLCH](#) [PMHPAF11S03](#)