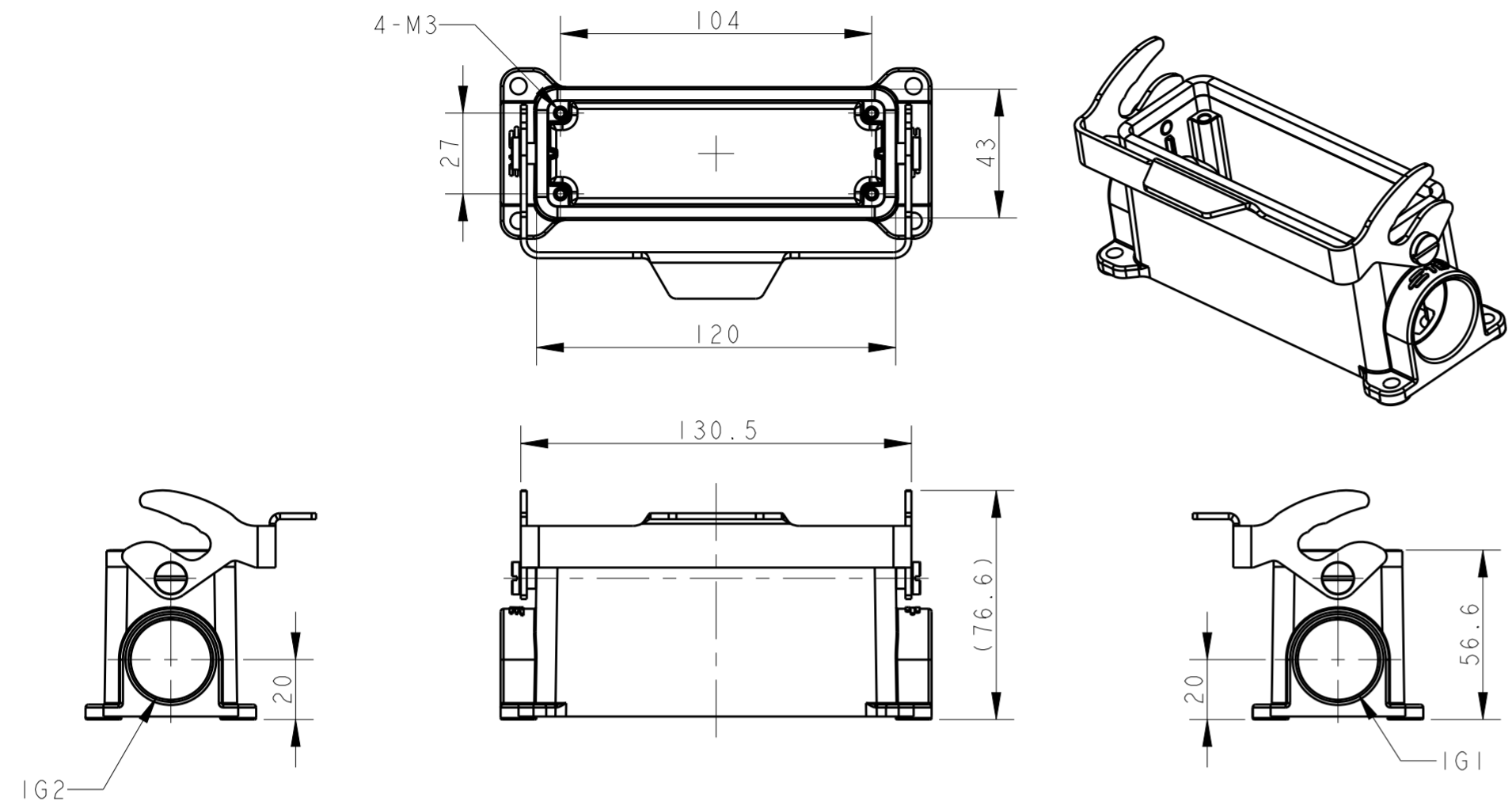
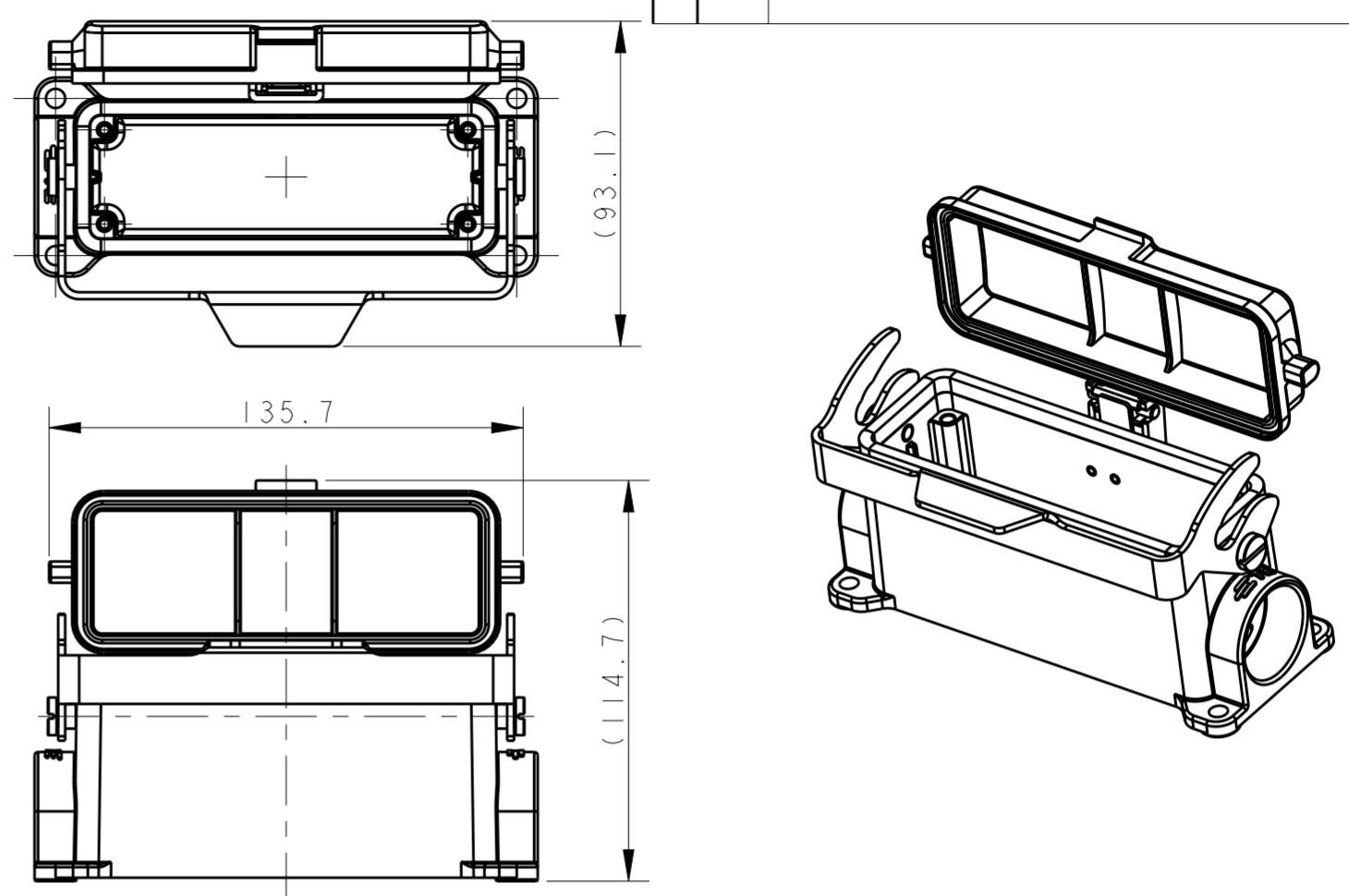


THIS DRAWING IS UNPUBLISHED. RELEASED FOR PUBLICATION 20
 © COPYRIGHT 20 BY - ALL RIGHTS RESERVED.

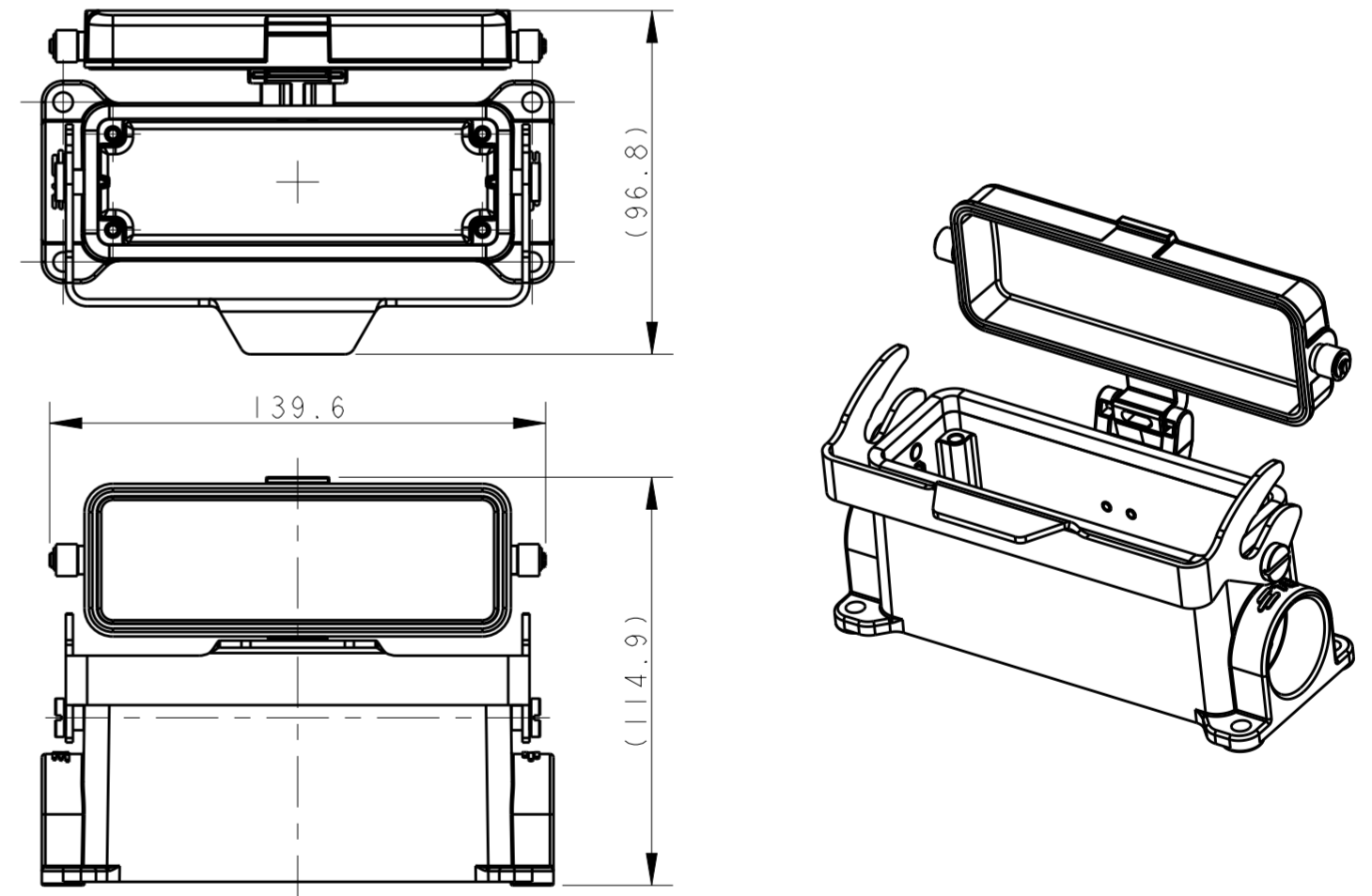
REVISIONS				
P	LTR	DESCRIPTION	DATE	APVD
A		INITIAL RELEASE	02JUL2015	DL CW



TYPE 1: BODY + SINGLE STEEL LOCKING



TYPE 2: BODY + SINGLE STEEL LOCKING + PLASTIC PROTECTION COVER
 OTHER SPEC REFER TO TYPE 1



TYPE 3: BODY + SINGLE STEEL LOCKING + METAL PROTECTION COVER
 OTHER SPEC REFER TO TYPE 1

NOTES:
 1. TECHNICAL CHARACTERISTICS:
 BODY MATERIAL: DIE CAST ALUMINIUM ALLOY
 SURFACE TREATMENT: POWDER-COATED, GRAY
 OPERATION TEMPERATURE: -40-+125°C
 DEGREE OF PROTECTION: IP65 (MATED)

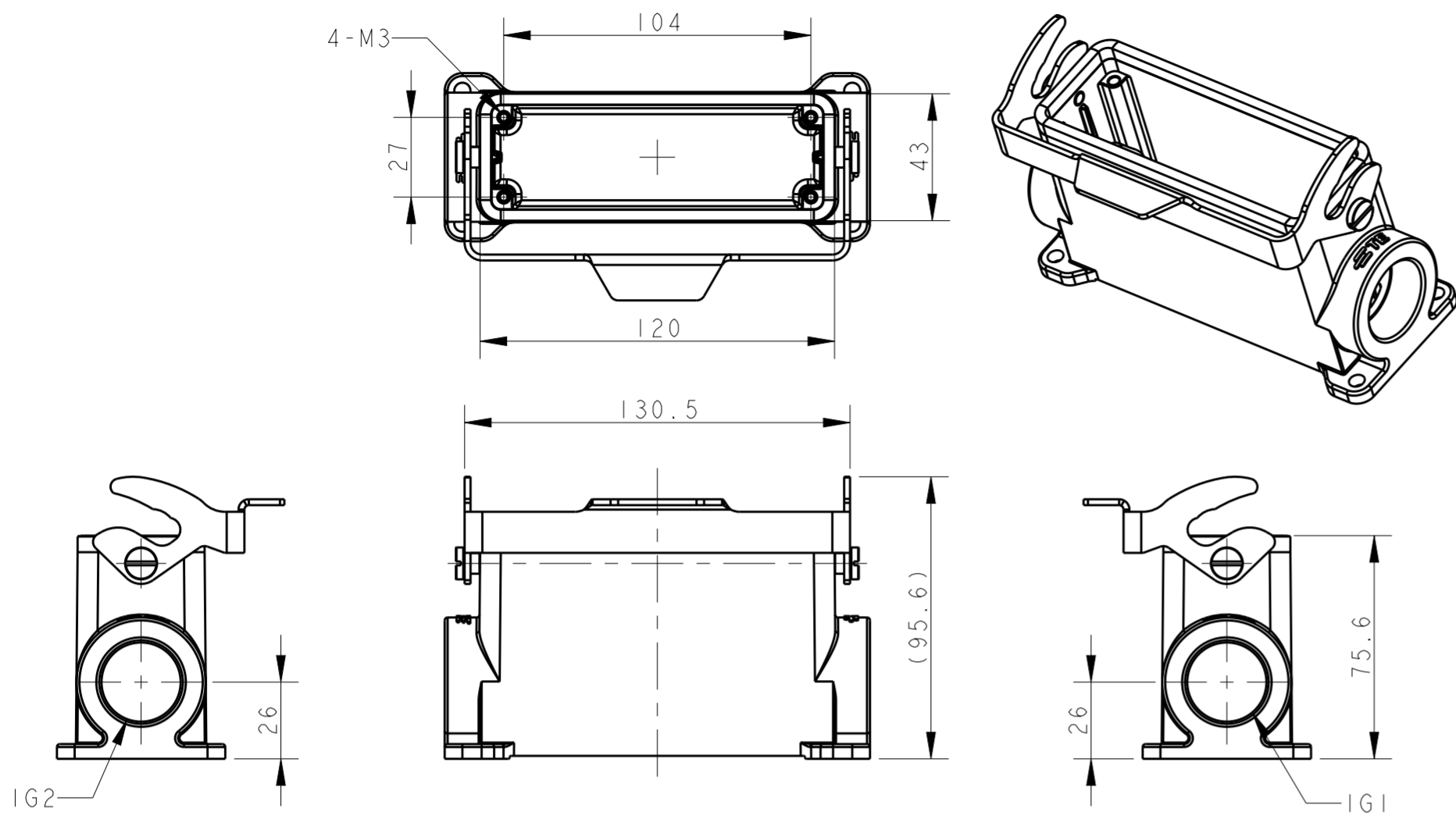
注释:
 1. 技术参数:
 主体材料: 铝合金
 表面处理: 粉末喷涂, 灰色
 工作温度: -40-+125°C
 防护等级: IP65(配合)

ASSEMBLY PART NUMBER	TYPE	ASSEMBLY PART DESCRIPTION	IG1	IG2
TI610243121-000	TYPE 1	H24B-SGR-LB-PG21	PG21	-
TI610243125-000		H24B-SGR-LB-M25	M25	-
TI610243221-000		H24B-SGR-LB-2PG21	PG21	PG21
TI610243225-000	TYPE 2	H24B-SGR-LB-2M25	M25	M25
TI620243121-000		H24B-SDR-LB-PG21	PG21	-
TI620243125-000		H24B-SDR-LB-M25	M25	-
TI620243221-000	TYPE 3	H24B-SDR-LB-2PG21	PG21	PG21
TI620243225-000		H24B-SDR-LB-2M25	M25	M25
TI620243421-000		H24B-SDRM-LB-PG21	PG21	-
TI620243425-000	TYPE 3	H24B-SDRM-LB-M25	M25	-
TI620243321-000		H24B-SDRM-LB-2PG21	PG21	PG21
TI620243325-000		H24B-SDRM-LB-2M25	M25	M25

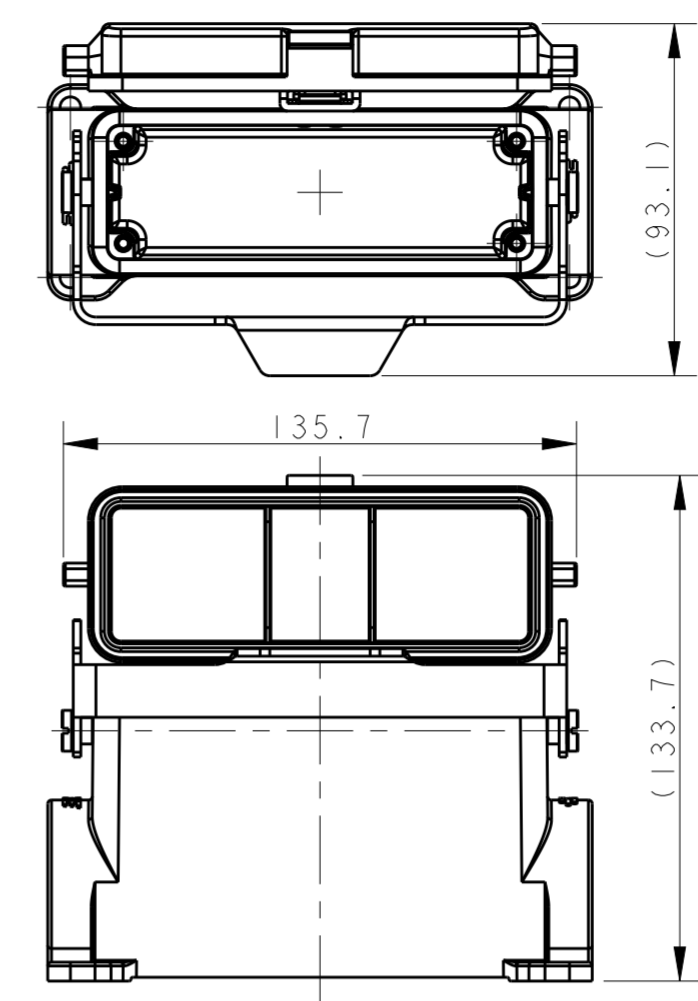
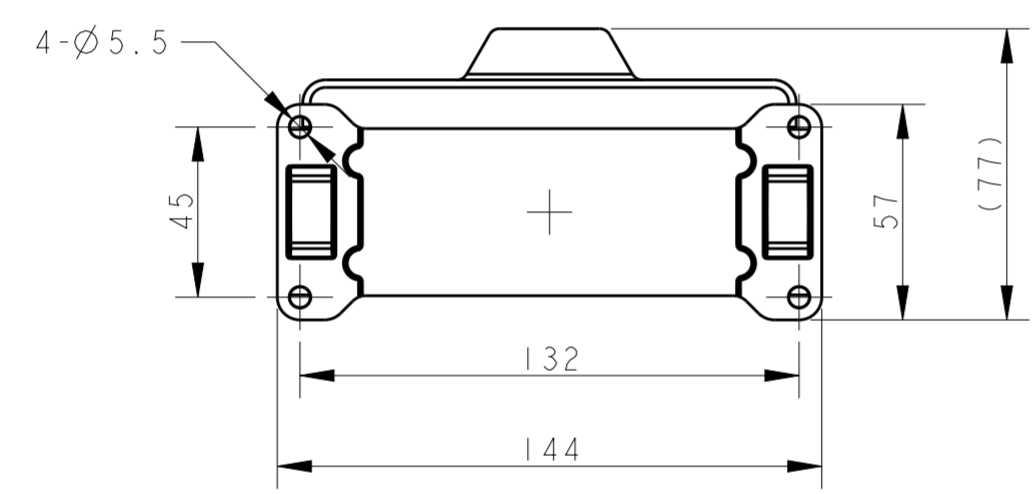
THIS DRAWING IS A CONTROLLED DOCUMENT.		DWN DAVID LI 02JUL2015	TE Connectivity	
DIMENSIONS: mm		CHK CHRIS WANG 02JUL2015		
TOLERANCES UNLESS OTHERWISE SPECIFIED:		APVD XU XIANG 02JUL2015	NAME H24B-SGR/SDR/SDRM-LB-PG/M	
		PRODUCT SPEC 108-137013	SIZE A2	
MATERIAL TBD		APPLICATION SPEC 114-137013	CAGE CODE -	DRAWING NO. C-T16X0243XXXX00
FINISH -		WEIGHT -	RESTRICTED TO -	SCALE 1:2
		Customer Drawing	SHEET 1 OF 2	REV A

THIS DRAWING IS UNPUBLISHED. RELEASED FOR PUBLICATION 20
 © COPYRIGHT 20 BY - ALL RIGHTS RESERVED.

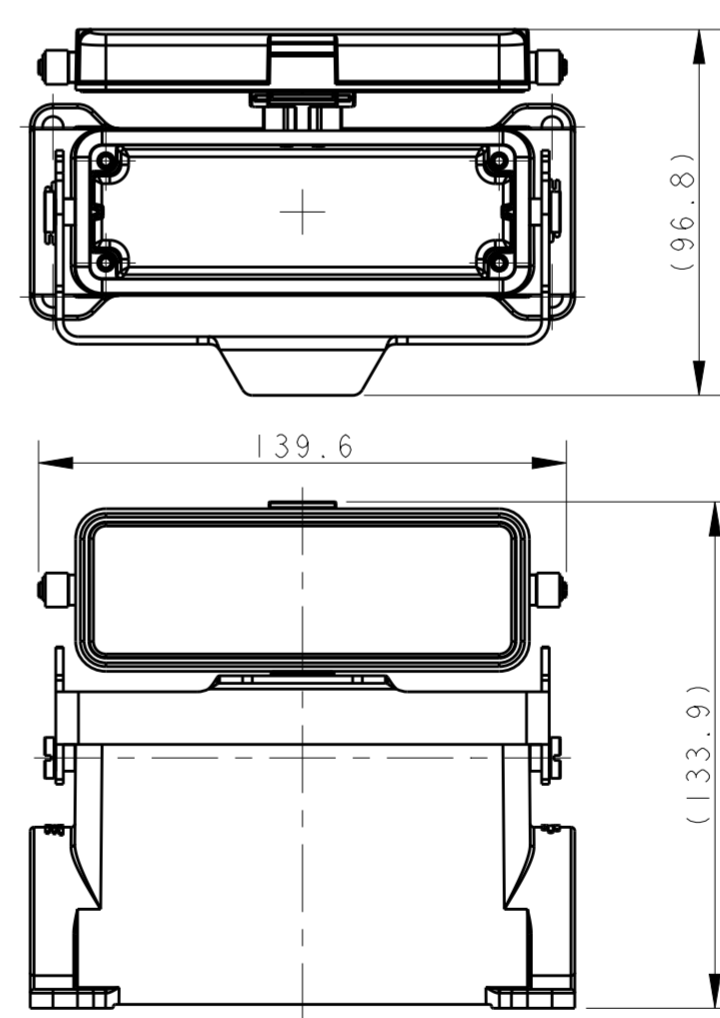
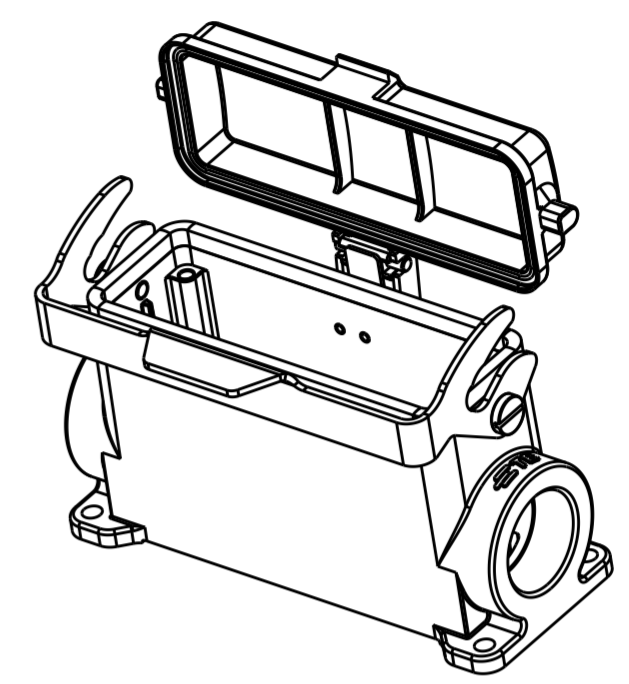
REVISIONS				
P	LTR	DESCRIPTION	DATE	APVD
-	-	SEE SHEET 1	-	-



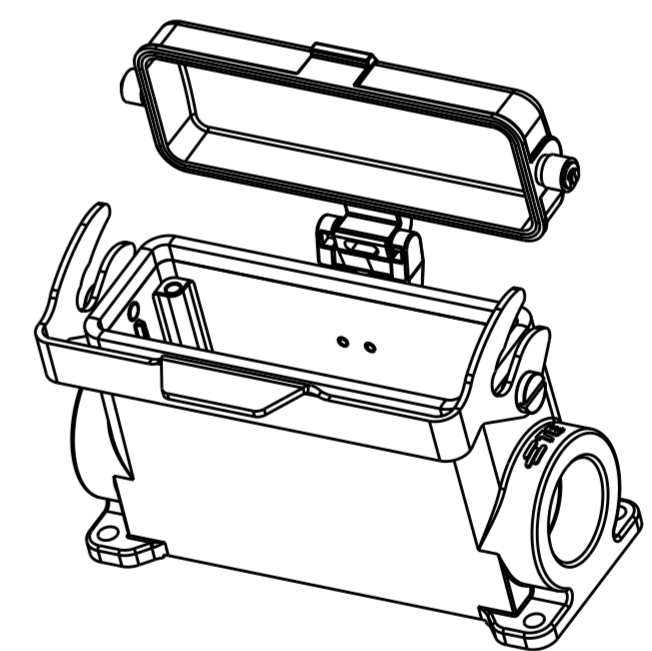
TYPE 4: HIGH BODY + SINGLE STEEL LOCKING



TYPE 5: HIGH BODY + SINGLE STEEL LOCKING + PLASTIC PROTECTION COVER
 OTHER SPEC REFER TO TYPE 4



TYPE 6: HIGH BODY + SINGLE STEEL LOCKING + METAL PROTECTION COVER
 OTHER SPEC REFER TO TYPE 4



T1650243121-000	TYPE 4	H24B-SGRH-LB-PG21	PG21	-
T1650243129-000		H24B-SGRH-LB-PG29	PG29	-
T1650243132-000		H24B-SGRH-LB-M32	M32	-
T1650243221-000		H24B-SGRH-LB-2PG21	PG21	PG21
T1650243229-000		H24B-SGRH-LB-2PG29	PG29	PG29
T1650243232-000		H24B-SGRH-LB-2M32	M32	M32
T1660243121-000	TYPE 5	H24B-SDRH-LB-PG21	PG21	-
T1660243129-000		H24B-SDRH-LB-PG29	PG29	-
T1660243132-000		H24B-SDRH-LB-M32	M32	-
T1660243221-000		H24B-SDRH-LB-2PG21	PG21	PG21
T1660243229-000		H24B-SDRH-LB-2PG29	PG29	PG29
T1660243232-000		H24B-SDRH-LB-2M32	M32	M32
T1660243121-100	TYPE 6	H24B-SDRHM-LB-PG21	PG21	-
T1660243129-100		H24B-SDRHM-LB-PG29	PG29	-
T1660243132-100		H24B-SDRHM-LB-M32	M32	-
T1660243221-100		H24B-SDRHM-LB-2PG21	PG21	PG21
T1660243229-100		H24B-SDRHM-LB-2PG29	PG29	PG29
T1660243232-100		H24B-SDRHM-LB-2M32	M32	M32
ASSEMBLY PART NUMBER	TYPE	ASSEMBLY PART DESCRIPTION	IG1	IG2

THIS DRAWING IS A CONTROLLED DOCUMENT.		DWN DAVID LI 02JUL2015	TE Connectivity	
DIMENSIONS: mm		CHK CHRIS WANG 02JUL2015		
TOLERANCES UNLESS OTHERWISE SPECIFIED:		APVD XU XIANG 02JUL2015	NAME H24B-SGR/SDR/SDRM-LB-PG/M	
		PRODUCT SPEC 108-137013	SIZE A2	
MATERIAL TBD		APPLICATION SPEC 114-137013	CAGE CODE -	DRAWING NO. C-T16X0243XXXX00
FINISH -		WEIGHT -	RESTRICTED TO -	SCALE 1:2
		Customer Drawing	SHEET 2 OF 2	REV A

X-ON Electronics

Largest Supplier of Electrical and Electronic Components

Click to view similar products for [Heavy Duty Power Connectors](#) category:

Click to view products by [TE Connectivity](#) manufacturer:

Other Similar products are found below :

[1424439](#) [1424438](#) [09330062652](#) [2-8675P1](#) [605601-1](#) [6340G1](#) [6341G1](#) [6360G1](#) [6373G1](#) [6374g2](#) [6396G1](#) [647757-1](#) [66394-4](#) [6643411-1](#)
[6646058-2](#) [6646137-1](#) [6646138-1](#) [6646348-1](#) [6646479-1](#) [6646608-1](#) [6646786-1](#) [6646940-1](#) [6651091-1](#) [6651525-1](#) [6651529-1](#) [6651778-1](#)
[6651788-1](#) [696465-1](#) [696475-1](#) [73000005059](#) [73000005349](#) [73000005642](#) [73080255059](#) [73080965046](#) [765-15-0080A](#) [765-16-0080B](#)
[789.700-44](#) [789.700-54](#) [80-1010](#) [80-9](#) [827381-1](#) [829992-1](#) [902-77-02113](#) [PL00U-301-10D10](#) [PM103MOOLOO](#) [PM16S1620S32-50](#)
[PM212MOOLOO](#) [PM309FOOLOO](#) [PM324FOOLCH](#) [PMHPAF11S03](#)