

4

3

2

1

THIS DRAWING IS UNPUBLISHED.

RELEASED FOR PUBLICATION

20

© COPYRIGHT 20 BY -

ALL RIGHTS RESERVED.

REVISIONS

| P | LTR | DESCRIPTION     | DATE      | DWN | APVD |
|---|-----|-----------------|-----------|-----|------|
|   | A   | INITIAL RELEASE | 25JUN2015 | DL  | CW   |
|   |     |                 |           |     |      |
|   |     |                 |           |     |      |

NOTES:

1. TECHNICAL CHARACTERISTICS:  
 BODY MATERIAL: DIE CAST ALUMINIUM ALLOY  
 SURFACE TREATMENT: POWDER-COATED, GRAY  
 OPERATION TEMPERATURE: -40-+125°C  
 DEGREE OF PROTECTION: IP65 (MATED)

注释:

1. 技术参数:  
 主体材料: 铝合金  
 表面处理: 粉末喷涂, 灰色  
 工作温度: -40-+125°C  
 防护等级: IP65(配合)

|                      |        |                           |      |      |
|----------------------|--------|---------------------------|------|------|
| T1490100121-000      |        | H10B-SDRH-BO-PG21         | PG21 | -    |
| T1490100125-000      |        | H10B-SDRH-BO-M25          | M25  | -    |
| T1490100129-000      |        | H10B-SDRH-BO-PG29         | PG29 | -    |
| T1490100132-000      | TYPE I | H10B-SDRH-BO-M32          | M32  | -    |
| T1490100221-000      |        | H10B-SDRH-BO-2PG21        | PG21 | PG21 |
| T1490100229-000      |        | H10B-SDRH-BO-2PG29        | PG29 | PG29 |
| T1490100232-000      |        | H10B-SDRH-BO-2M32         | M32  | M32  |
| ASSEMBLY PART NUMBER | TYPE   | ASSEMBLY PART DESCRIPTION | IG1  | IG2  |

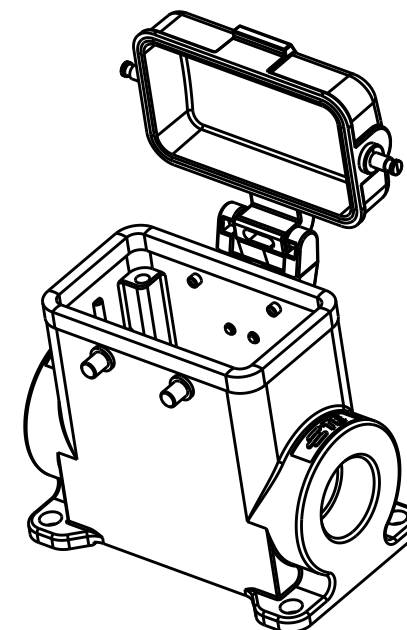
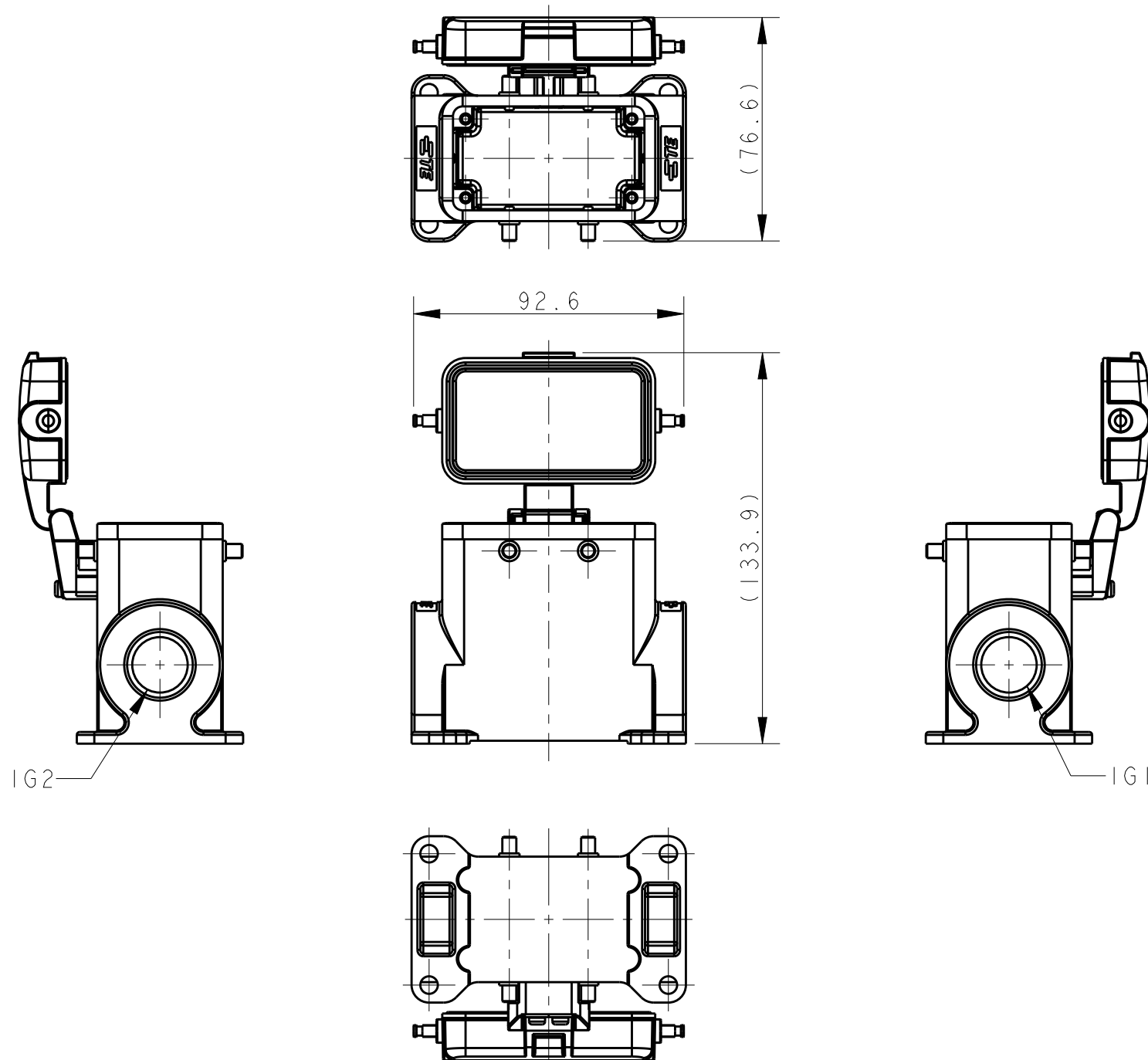
|  |    |          |            |           |                     |                  |                   |                  |            |                  |            |               |                  |    |
|--|----|----------|------------|-----------|---------------------|------------------|-------------------|------------------|------------|------------------|------------|---------------|------------------|----|
| THIS DRAWING IS A CONTROLLED DOCUMENT. |    | DWN      | DAVID LI   | 25JUN2015 | <br>TE Connectivity | NAME             | H10B-SDRH-BO-PG/M |                  |            |                  |            |               |                  |    |
| DIMENSIONS:                            |    | CHK      | CHRIS WANG | 25JUN2015 |                     |                  | PRODUCT SPEC      | APPLICATION SPEC | SIZE       | CAGE CODE        | DRAWING NO | RESTRICTED TO |                  |    |
| mm                                     |    | APVD     | XU XIANG   | 25JUN2015 |                     |                  |                   |                  | 108-137013 | 114-137013       | A3         | -             | ©-T149010XXXX000 | -  |
| TOLERANCES UNLESS OTHERWISE SPECIFIED: |    | MATERIAL |            | FINISH    |                     |                  |                   |                  | WEIGHT     | CUSTOMER DRAWING |            | SCALE         | SHEET            | OF |
| 0 PLC                                  | ±- | TBD      | -          | -         | -                   | CUSTOMER DRAWING |                   | 1:2              | 1          | 2                | A          |               |                  |    |
| 1 PLC                                  | ±- |          |            |           |                     |                  |                   |                  |            |                  |            |               |                  |    |
| 2 PLC                                  | ±- |          |            |           |                     |                  |                   |                  |            |                  |            |               |                  |    |
| 3 PLC                                  | ±- |          |            |           |                     |                  |                   |                  |            |                  |            |               |                  |    |
| 4 PLC                                  | ±- |          |            |           |                     |                  |                   |                  |            |                  |            |               |                  |    |
| ANGLES                                 | ±- |          |            |           |                     |                  |                   |                  |            |                  |            |               |                  |    |

TYPE I: HIGH BODY + PLASTIC PROTECTION COVER

1470-19 (3/13)

REVISIONS


| P | LTR | DESCRIPTION | DATE | DWN | APVD |
|---|-----|-------------|------|-----|------|
|   | -   | SEE SHEET 1 | -    | -   | -    |
|   |     |             |      |     |      |
|   |     |             |      |     |      |



TYPE 2: HIGHT BODY + METAL PROTECTION COVER

OTHER SPEC REFER TO TYPE 1

|                      |        |                           |      |      |
|----------------------|--------|---------------------------|------|------|
| T1490101121-000      | TYPE 2 | H10B-SDRMH-BO-PG21        | PG21 | -    |
| T1490101129-000      |        | H10B-SDRMH-BO-PG29        | PG29 | -    |
| T1490101132-000      |        | H10B-SDRMH-BO-M32         | M32  | -    |
| T1490101221-000      |        | H10B-SDRMH-BO-2PG21       | PG21 | PG21 |
| T1490101229-000      |        | H10B-SDRMH-BO-2PG29       | PG29 | PG29 |
| T1490101232-000      |        | H10B-SDRMH-BO-2M32        | M32  | M32  |
| ASSEMBLY PART NUMBER | TYPE   | ASSEMBLY PART DESCRIPTION | IG1  | IG2  |

|   |  |                                |   |                |                                |                    |
|---|--|--------------------------------|---|----------------|--------------------------------|--------------------|
| THIS DRAWING IS A CONTROLLED DOCUMENT.                                |  | DWN<br>DAVID LI<br>25JUN2015   |  TE Connectivity |                |                                |                    |
| DIMENSIONS:<br>mm   |  | CHK<br>CHRIS WANG<br>25JUN2015 |   |                | NAME<br>H10B-SDRMH-BO-PG/M     |                    |
| TOLERANCES UNLESS OTHERWISE SPECIFIED:                                |  | APVD<br>XU XIANG<br>25JUN2015  |   |                |                                |                    |
| 0 PLC ±-<br>1 PLC ±-<br>2 PLC ±-<br>3 PLC ±-<br>4 PLC ±-<br>ANGLES ±- |  | PRODUCT SPEC<br>108-137013     | SIZE<br>A3  | CAGE CODE<br>- | DRAWING NO<br>C-T149010XXXX000 | RESTRICTED TO<br>- |
| MATERIAL<br>TBD   |  | APPLICATION SPEC<br>114-137013 | SCALE<br>1:2  |                | SHEET<br>2 OF 2                | REV<br>A           |
| FINISH<br>-   |  | WEIGHT<br>-                    | CUSTOMER DRAWING  |                |                                |                    |

## X-ON Electronics

Largest Supplier of Electrical and Electronic Components

*Click to view similar products for [Heavy Duty Power Connectors](#) category:*

*Click to view products by [TE Connectivity](#) manufacturer:*

Other Similar products are found below :

[1424439](#) [1424438](#) [09330062652](#) [2-8675P1](#) [605601-1](#) [6340G1](#) [6341G1](#) [6360G1](#) [6373G1](#) [6374g2](#) [6396G1](#) [647757-1](#) [66394-4](#) [6643411-1](#)  
[6646058-2](#) [6646137-1](#) [6646138-1](#) [6646348-1](#) [6646479-1](#) [6646608-1](#) [6646786-1](#) [6646940-1](#) [6651091-1](#) [6651525-1](#) [6651529-1](#) [6651778-1](#)  
[6651788-1](#) [696465-1](#) [696475-1](#) [73000005059](#) [73000005349](#) [73000005642](#) [73080255059](#) [73080965046](#) [765-15-0080A](#) [765-16-0080B](#)  
[789.700-44](#) [789.700-54](#) [80-1010](#) [80-9](#) [827381-1](#) [829992-1](#) [902-77-02113](#) [PL00U-301-10D10](#) [PM103MOOLOO](#) [PM16S1620S32-50](#)  
[PM212MOOLOO](#) [PM309FOOLOO](#) [PM324FOOLCH](#) [PMHPAF11S03](#)