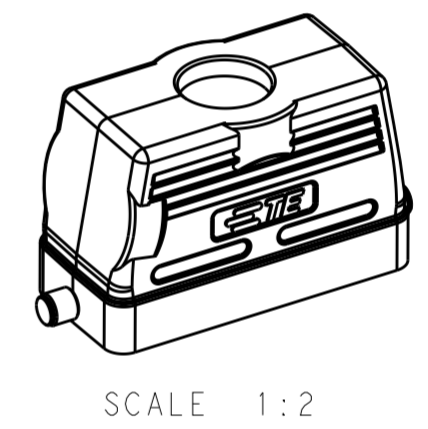
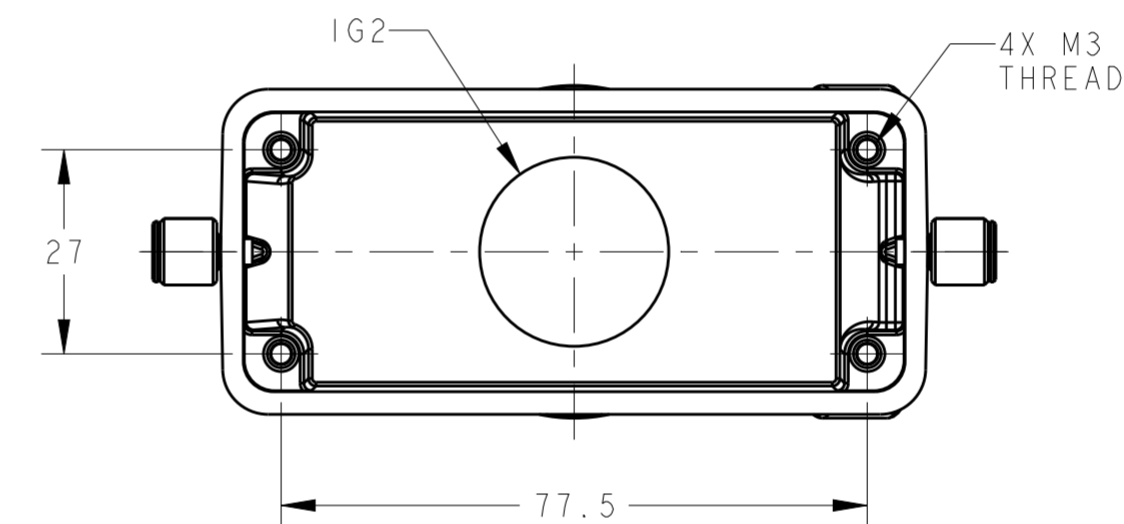
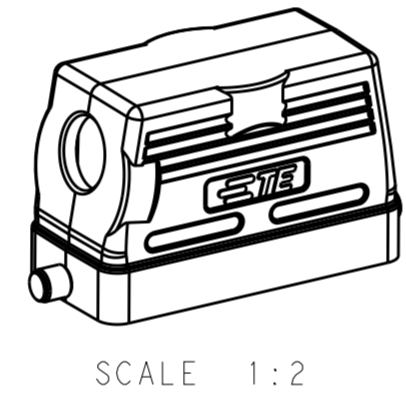
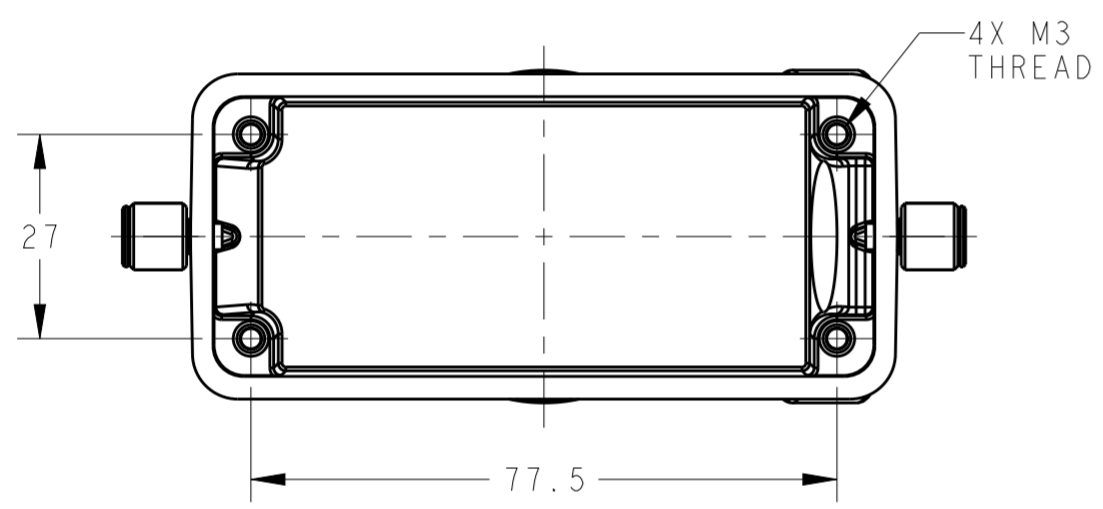
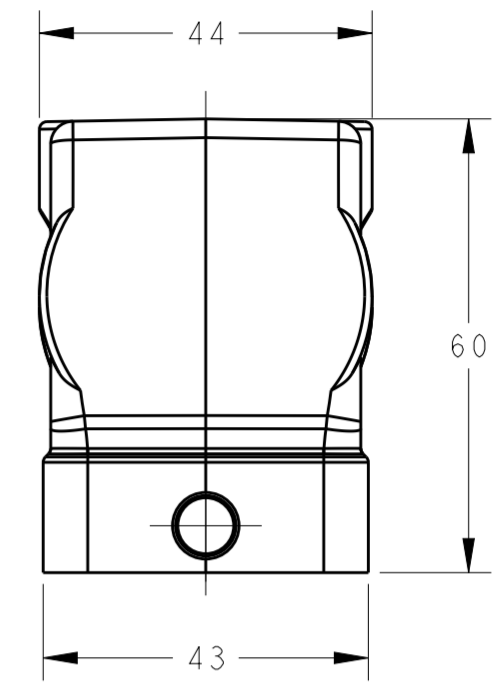
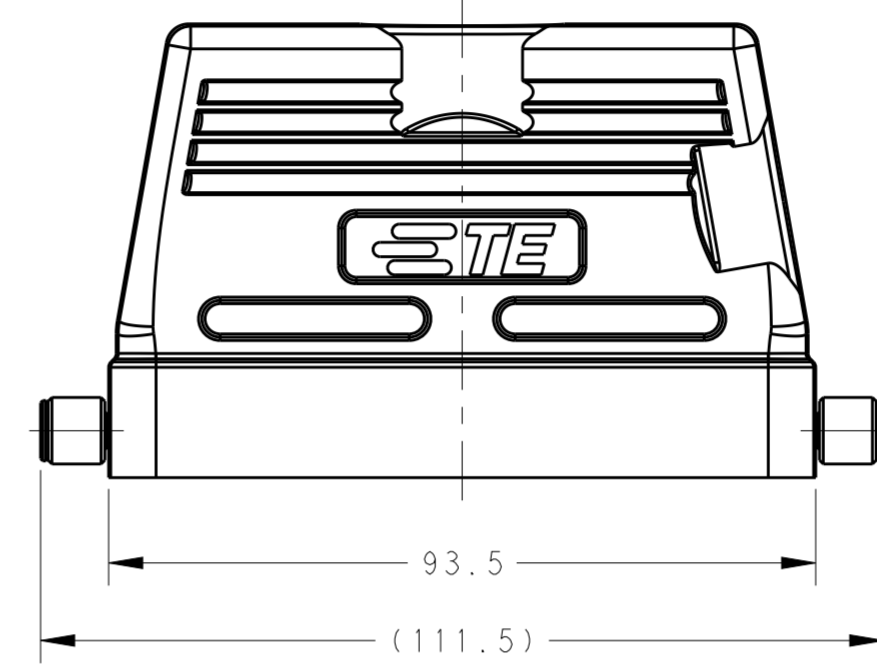
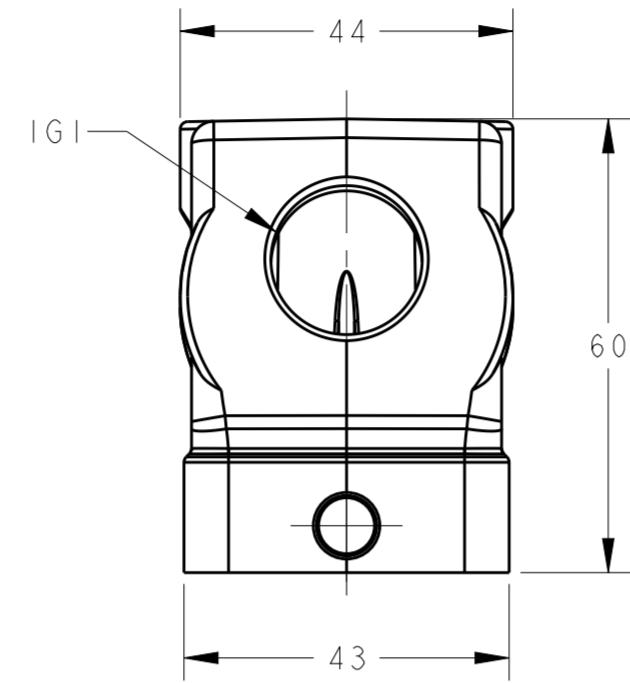
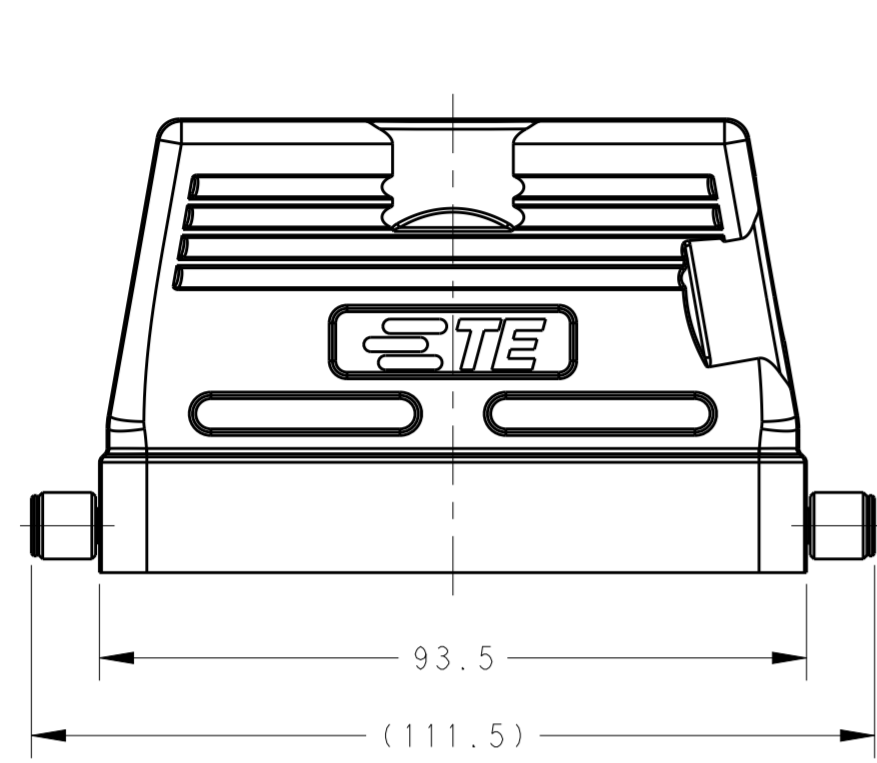


THIS DRAWING IS UNPUBLISHED. RELEASED FOR PUBLICATION 20  
 © COPYRIGHT 20 BY - ALL RIGHTS RESERVED.

REVISIONS				
P	LTR	DESCRIPTION	DATE	APVD
	A	INITIAL	25MAY2015	DW CW



TYPE 1: LOW CONSTRUCTION, SIDE ENTRY

TYPE 2: LOW CONSTRUCTION, TOP ENTRY

NOTES:  
 I. TECHNICAL CHARACTERISTICS:  
 HOOD MATERIAL: DIE CAST ALUMINIUM ALLOY  
 SURFACE: POWDER COATED, GREY  
 OPERATION TEMPERATURE: -40-+125°C  
 DEGREE OF PROTECTION: IP65 (MATED)

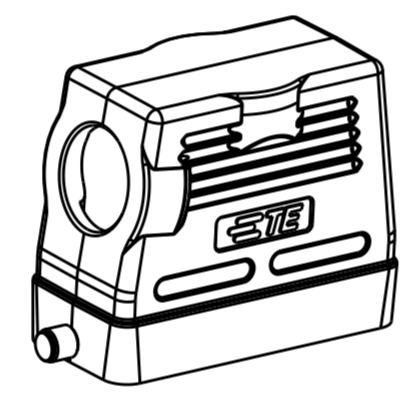
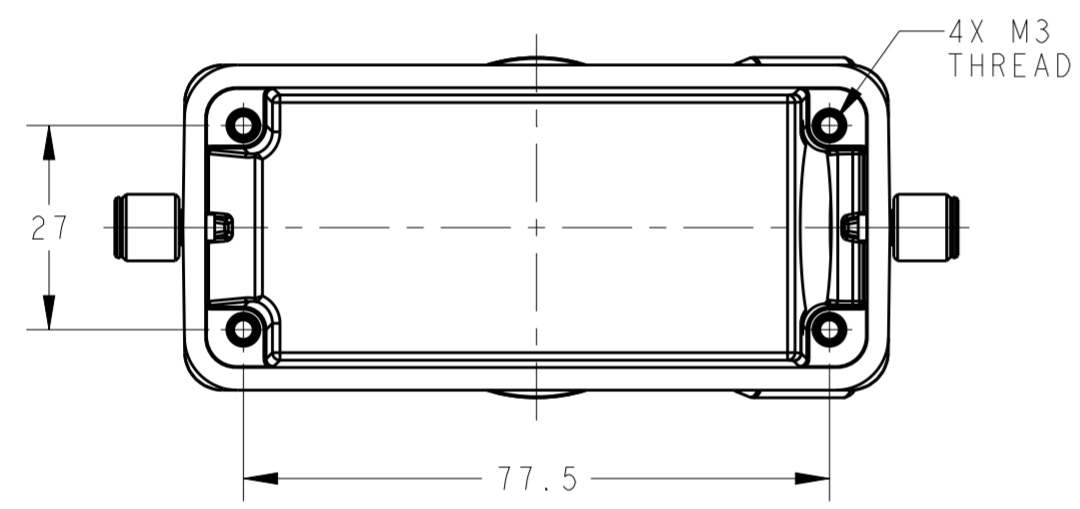
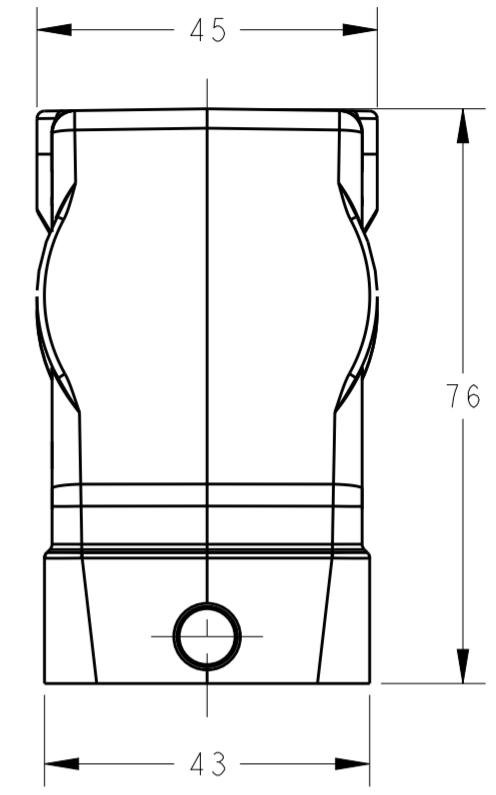
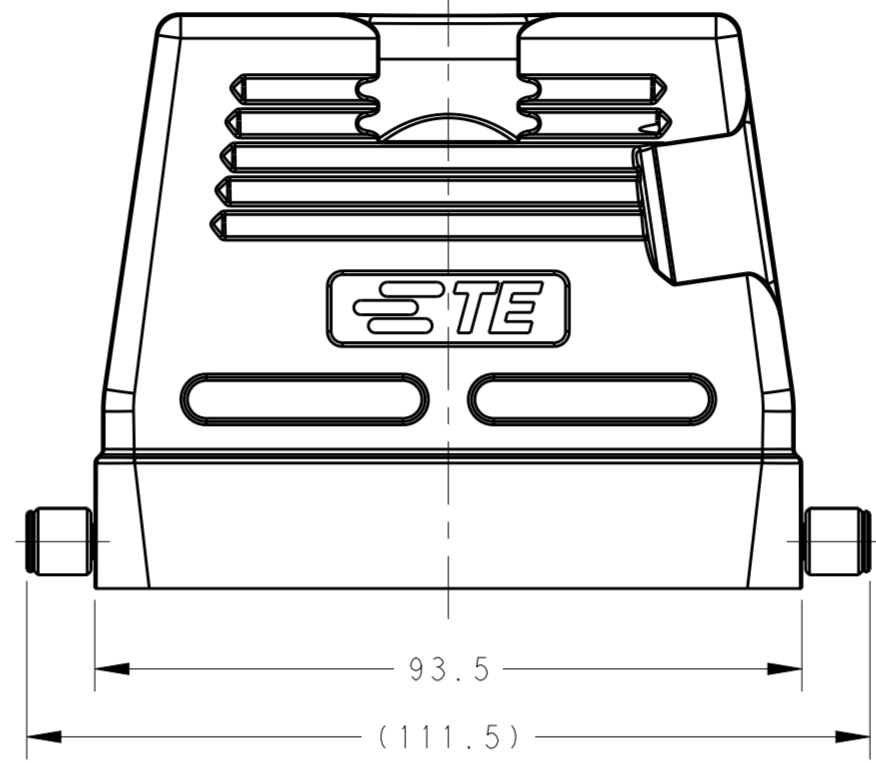
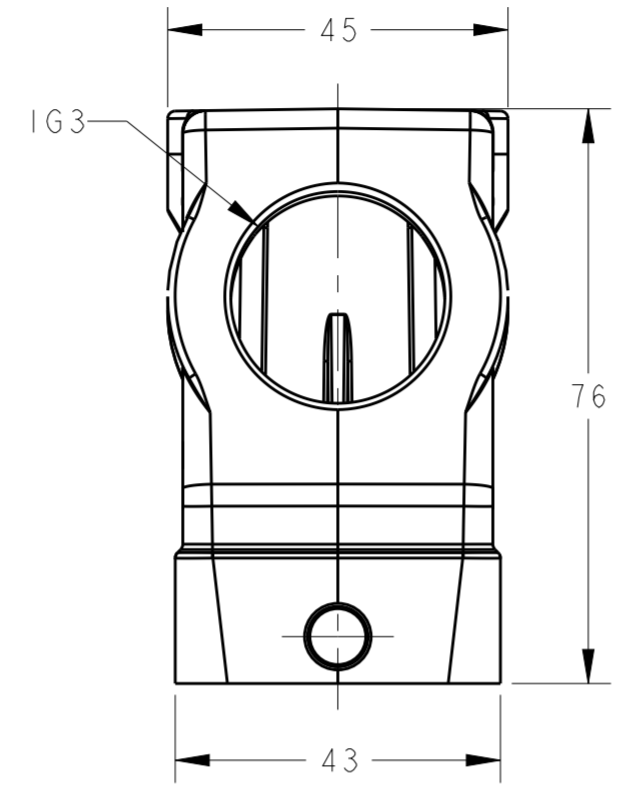
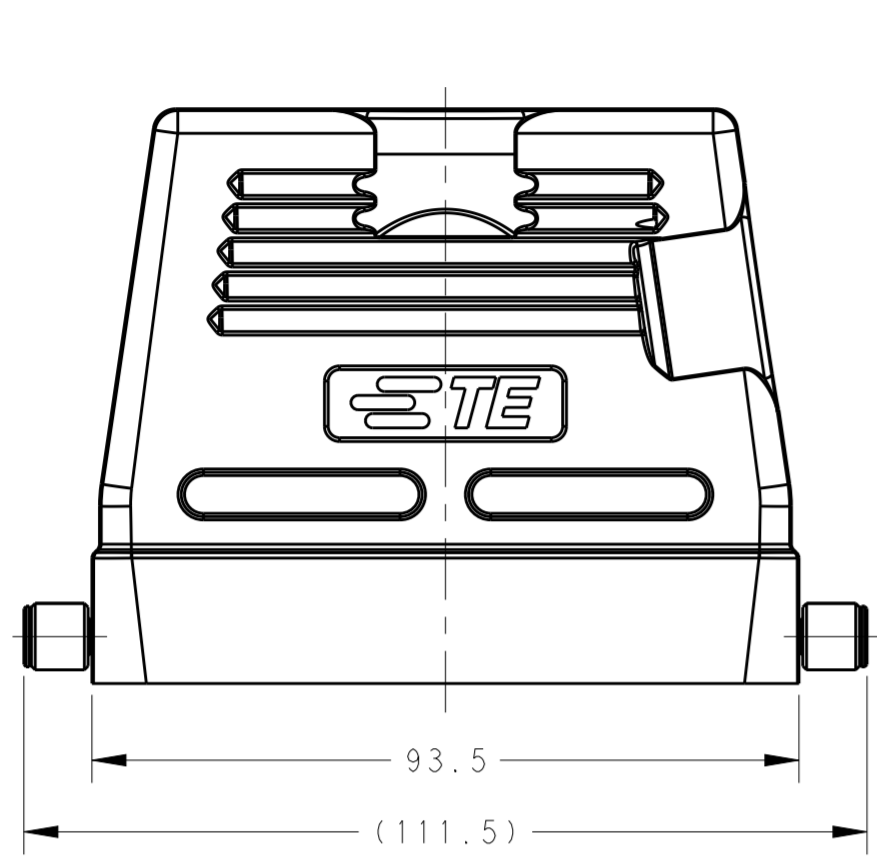
注释:  
 I. 技术参数:  
 上壳材料: 铝合金  
 表面处理: 粉末涂层, 灰色  
 工作温度: -40-+125°C  
 防护等级: IP65(配合)

T1310160120-000	TYPE 1	H16B-TS-RO-M20	M20	-
T1310160121-000		H16B-TS-RO-PG21	PG21	-
T1310160125-000		H16B-TS-RO-M25	M25	-
T1310160132-000		H16B-TS-RO-M32	M32	-
T1320160121-000	TYPE 2	H16B-TG-RO-PG21	-	PG21
T1320160125-000		H16B-TG-RO-M25	-	M25
T1320160132-000		H16B-TG-RO-M32	-	M32
PART NUMBER	TYPE	DESCRIPTION	IG1	IG2

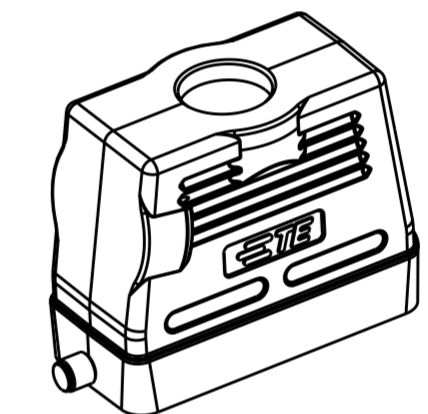
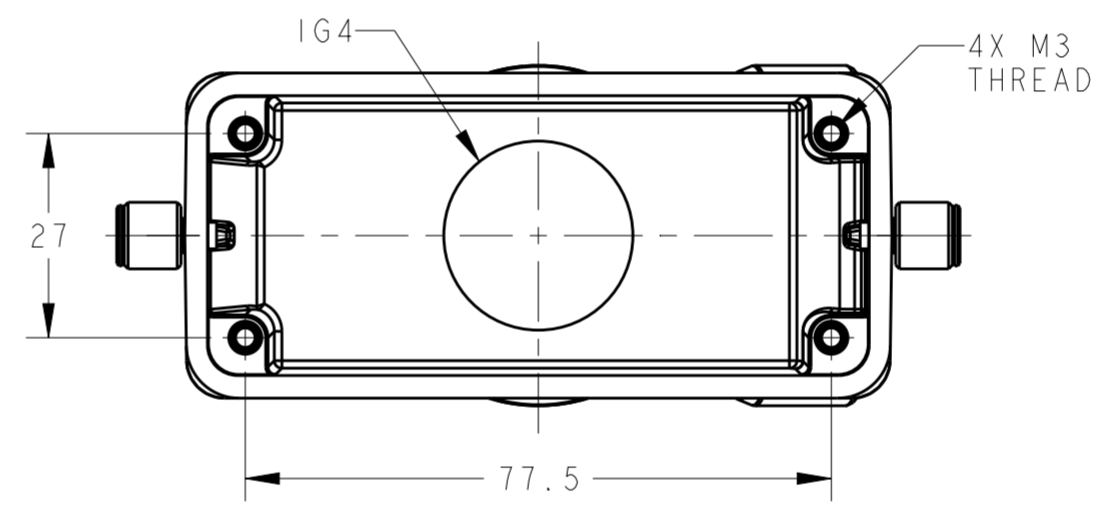
THIS DRAWING IS A CONTROLLED DOCUMENT.		DWN David Wang 25MAY2015	<b>STE</b> TE Connectivity	
		CHK Chris Wang 25MAY2015		
		APVD Xiang Xu 25MAY2015	NAME H16B-TS/TG/TSH/TGH-RO-M/PG	
DIMENSIONS: mm		PRODUCT SPEC 108-137013	SIZE CAGE CODE DRAWING NO RESTRICTED TO	
TOLERANCES UNLESS OTHERWISE SPECIFIED:		APPLICATION SPEC 114-137013	A200779 C-T13X01601XX000	
MATERIAL -		WEIGHT -	SCALE 1:1 SHEET 1 OF 2 REV A	
		Customer Drawing		

THIS DRAWING IS UNPUBLISHED. RELEASED FOR PUBLICATION 20  
 © COPYRIGHT 20 BY - ALL RIGHTS RESERVED.

REVISIONS				
P	LTR	DESCRIPTION	DATE	APVD
-		SEE SHEET 1	-	-



SCALE 1:2



SCALE 1:2

TYPE 3: HIGH CONSTRUCTION, SIDE ENTRY

TYPE 4: HIGH CONSTRUCTION, TOP ENTRY

NOTES:  
SEE SHEET 1

T1330160121-000	TYPE 3	H16B-TSH-RO-PG21	PG21	-
T1330160125-000		H16B-TSH-RO-M25	M25	-
T1330160129-000		H16B-TSH-RO-PG29	PG29	-
T1330160132-000		H16B-TSH-RO-M32	M32	-
T1330160140-000		H16B-TSH-RO-M40	M40	-
T1340160121-000	TYPE 4	H16B-TGH-RO-PG21	-	PG21
T1340160125-000		H16B-TGH-RO-M25	-	M25
T1340160129-000		H16B-TGH-RO-PG29	-	PG29
T1340160132-000		H16B-TGH-RO-M32	-	M32
T1340160140-000		H16B-TGH-RO-M40	-	M40
T1340167134-000		H16B-TGH-RO-NPT3/4	-	NPT3/4
PART NUMBER	TYPE	DESCRIPTION	IG3	IG4

THIS DRAWING IS A CONTROLLED DOCUMENT.		DWN David Wang 25MAY2015	<b>STE</b> TE Connectivity	
		CHK Chris Wang 25MAY2015		
		APVD Xiang Xu 25MAY2015	NAME H16B-TS/TG/TSH/TGH-RO-M/PG	
DIMENSIONS: mm		PRODUCT SPEC 108-137013	SIZE CAGE CODE DRAWING NO RESTRICTED TO	
TOLERANCES UNLESS OTHERWISE SPECIFIED:		APPLICATION SPEC 114-137013	A200779 C-T13X01601XX000	
MATERIAL		WEIGHT	SCALE 1:1 SHEET 2 OF 2 REV A	
		Customer Drawing		

## X-ON Electronics

Largest Supplier of Electrical and Electronic Components

*Click to view similar products for [Heavy Duty Power Connectors](#) category:*

*Click to view products by [TE Connectivity](#) manufacturer:*

Other Similar products are found below :

[1424439](#) [1424438](#) [09330062652](#) [2-8675P1](#) [605601-1](#) [6340G1](#) [6341G1](#) [6360G1](#) [6373G1](#) [6374g2](#) [6396G1](#) [647757-1](#) [66394-4](#) [6643411-1](#)  
[6646058-2](#) [6646137-1](#) [6646138-1](#) [6646348-1](#) [6646479-1](#) [6646608-1](#) [6646786-1](#) [6646940-1](#) [6651091-1](#) [6651525-1](#) [6651529-1](#) [6651778-1](#)  
[6651788-1](#) [696465-1](#) [696475-1](#) [73000005059](#) [73000005349](#) [73000005642](#) [73080255059](#) [73080965046](#) [765-15-0080A](#) [765-16-0080B](#)  
[789.700-44](#) [789.700-54](#) [80-1010](#) [80-9](#) [827381-1](#) [829992-1](#) [902-77-02113](#) [PL00U-301-10D10](#) [PM103MOOLOO](#) [PM16S1620S32-50](#)  
[PM212MOOLOO](#) [PM309FOOLOO](#) [PM324FOOLCH](#) [PMHPAF11S03](#)