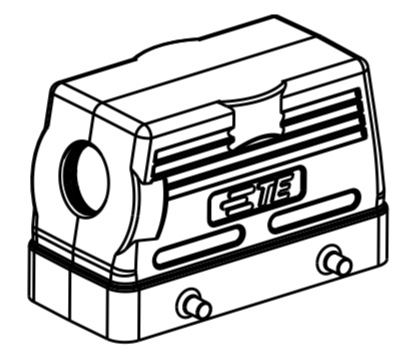
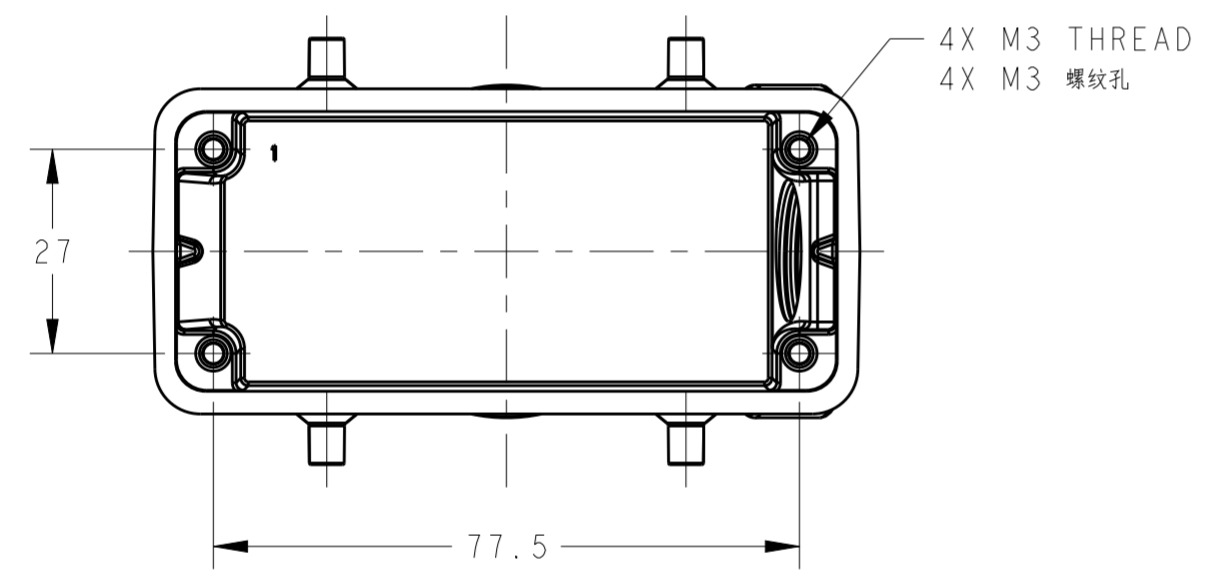
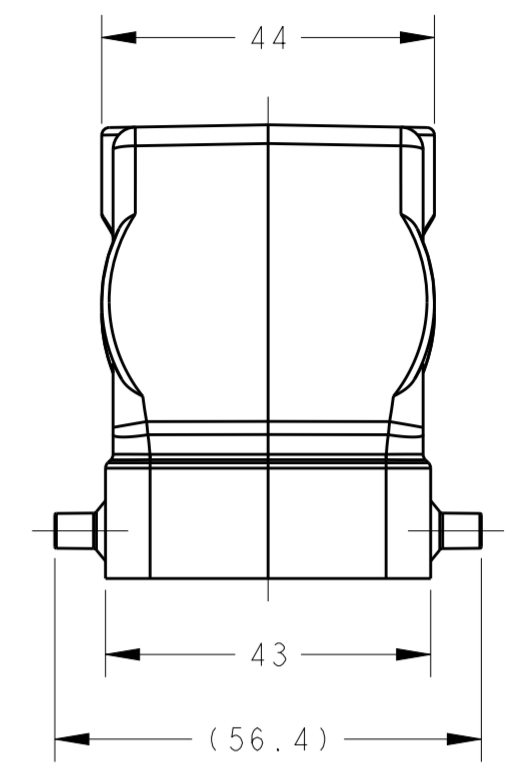
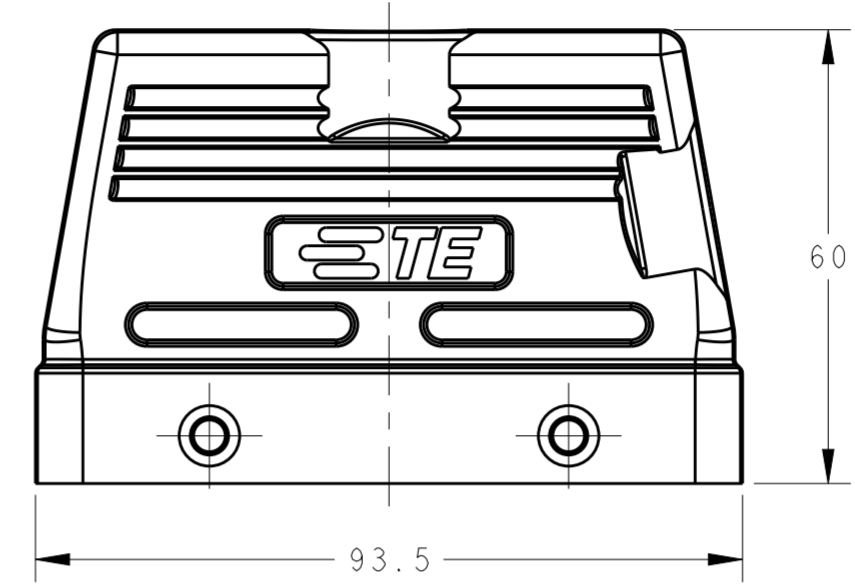
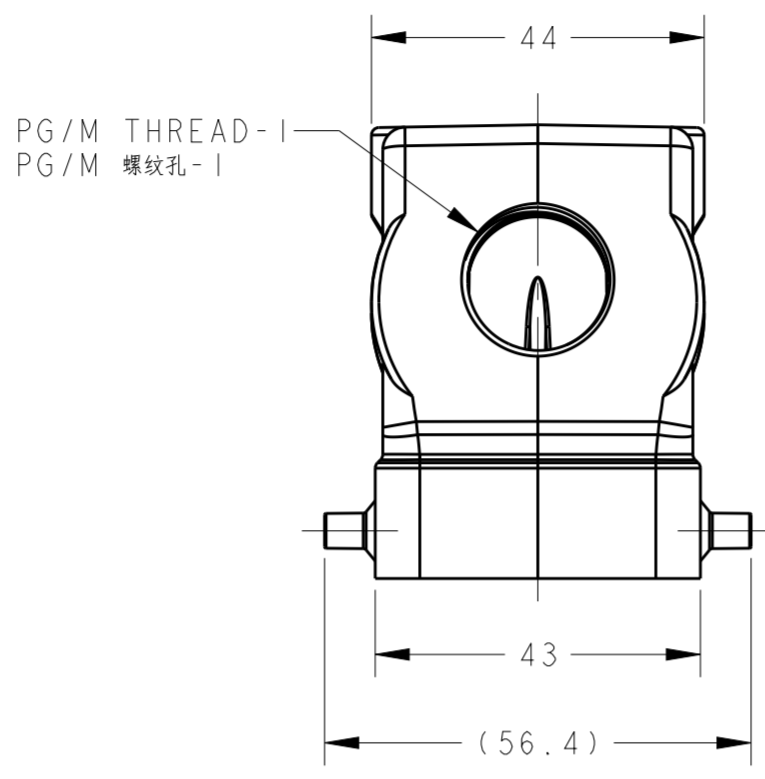
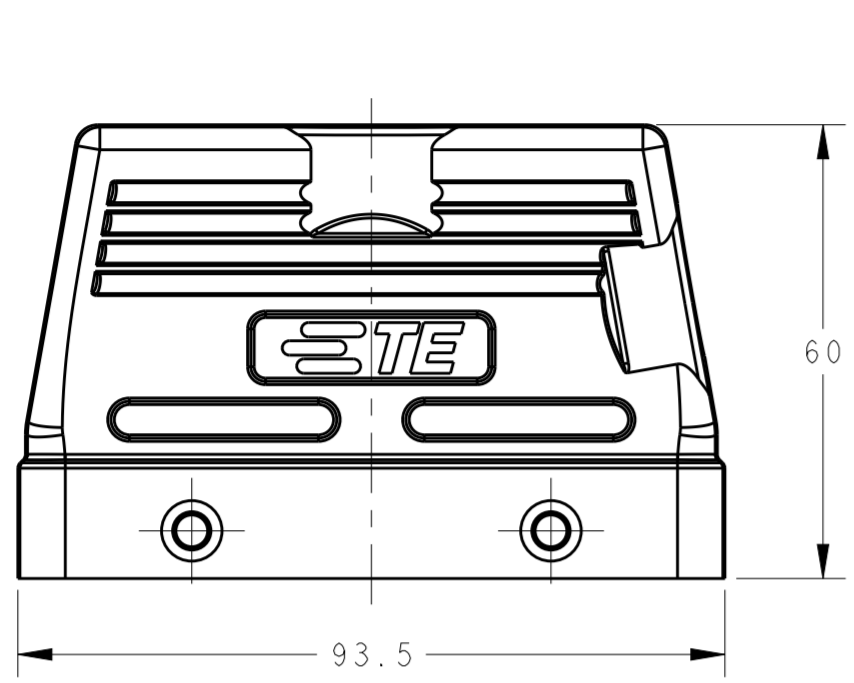
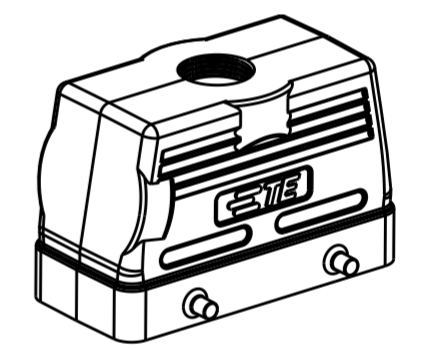
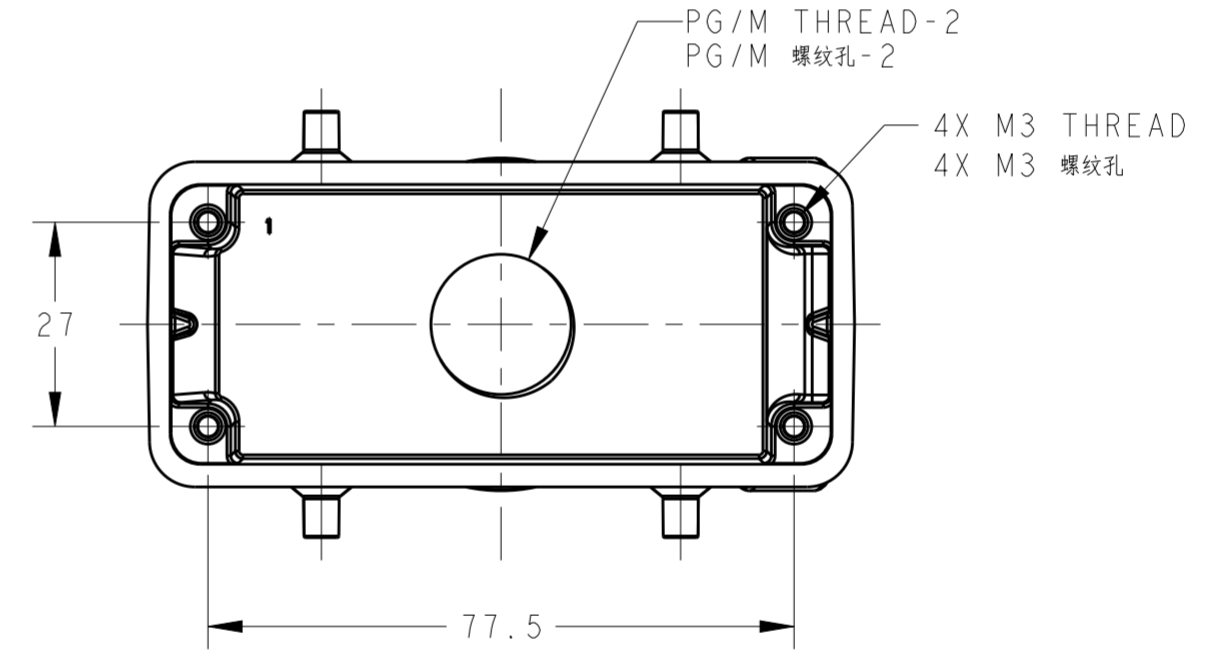


THIS DRAWING IS UNPUBLISHED. RELEASED FOR PUBLICATION 20
 © COPYRIGHT 20 BY - ALL RIGHTS RESERVED.

REVISIONS					
P	LTR	DESCRIPTION	DATE	DWN	APVD
A		INITIAL	25MAY2015	DW	CW
A1		ECR-16-013641	24SEP2016	CH	CW



SCALE 1:2



SCALE 1:2

TYPE 1: LOW CONSTRUCTION, SIDE ENTRY
 类型1: 低结构, 侧出

TYPE 2: LOW CONSTRUCTION, TOP ENTRY
 类型2: 低结构, 顶出

NOTES:
 1. TECHNICAL CHARACTERISTICS:
 HOOD MATERIAL: DIE CAST ALUMINIUM ALLOY
 SURFACE: POWDER COATED, GRAY
 DEGREE OF PROTECTION: IP65 (MATED)

注释:
 1. 技术参数:
 上壳材料: 铝合金
 表面处理: 灰色粉末涂层
 防护等级: IP65(配合)

THIS DRAWING IS A CONTROLLED DOCUMENT.		DWN DAVID.WANG 25MAY2015	STE TE Connectivity	
		CHK CHRIS.WANG 25MAY2015		
		APVD XIANG.XU 25MAY2015	NAME H16B-TS/TG-M/PG	
DIMENSIONS: mm		PRODUCT SPEC 108-137013	SIZE CAGE CODE DRAWING NO RESTRICTED TO	
TOLERANCES UNLESS OTHERWISE SPECIFIED:		APPLICATION SPEC 114-137013	A200779 C-T12X01601XX000	
0 PLC ±-		WEIGHT -	SCALE 1:1 SHEET 1 OF 2 REV A1	
1 PLC ±-		Customer Drawing		
2 PLC ±-				
3 PLC ±-				
4 PLC ±-				
ANGLES ±-				
FINISH -				

THIS DRAWING IS UNPUBLISHED. RELEASED FOR PUBLICATION 20
 © COPYRIGHT 20 BY - ALL RIGHTS RESERVED.

REVISIONS				
P	LTR	DESCRIPTION	DATE	APVD
-	-	SEE SHEET 1	-	-

NOTES:
SEE SHEET 1.

T1210160116-000	H16B-TS-PG16	H16B HOOD, SIDE ENTRY PG16, 4 EAR, LOW CONSTRUCTION, POWDER COATED, GRAY H16B上壳,侧出PG16,4耳,低结构,灰色粉末喷涂	PG16	-	TYPE 1
T1210160120-000	H16B-TS-M20	H16B HOOD, SIDE ENTRY M20, 4 EAR, LOW CONSTRUCTION, POWDER COATED, GRAY H16B上壳,侧出M20,4耳,低结构,灰色粉末喷涂	M20	-	
T1210160121-000	H16B-TS-PG21	H16B HOOD, SIDE ENTRY PG21, 4 EAR, LOW CONSTRUCTION, POWDER COATED, GRAY H16B上壳,侧出PG21,4耳,低结构,灰色粉末喷涂	PG21	-	
T1210160125-000	H16B-TS-M25	H16B HOOD, SIDE ENTRY M25, 4 EAR, LOW CONSTRUCTION, POWDER COATED, GRAY H16B上壳,侧出M25,4耳,低结构,灰色粉末喷涂	M25	-	
T1210160132-000	H16B-TS-M32	H16B HOOD, SIDE ENTRY M32, 4 EAR, LOW CONSTRUCTION, POWDER COATED, GRAY H16B上壳,侧出M32,4耳,低结构,灰色粉末喷涂	M32	-	
T1220160129-000	H16B-TG-PG29	H16B HOOD, TOP ENTRY PG29, 4 EAR, LOW CONSTRUCTION, POWDER COATED, GRAY H16B上壳,顶出PG29,4耳,低结构,灰色粉末喷涂	-	PG29	TYPE 2
T1220160116-000	H16B-TG-PG16	H16B HOOD, TOP ENTRY PG16, 4 EAR, LOW CONSTRUCTION, POWDER COATED, GRAY H16B上壳,顶出PG16,4耳,低结构,灰色粉末喷涂	-	PG16	
T1220160120-000	H16B-TG-M20	H16B HOOD, TOP ENTRY M20, 4 EAR, LOW CONSTRUCTION, POWDER COATED, GRAY H16B上壳,顶出M20,4耳,低结构,灰色粉末喷涂	-	M20	
T1220160121-000	H16B-TG-PG21	H16B HOOD, TOP ENTRY PG21, 4 EAR, LOW CONSTRUCTION, POWDER COATED, GRAY H16B上壳,顶出PG21,4耳,低结构,灰色粉末喷涂	-	PG21	
T1220160125-000	H16B-TG-M25	H16B HOOD, TOP ENTRY M25, 4 EAR, LOW CONSTRUCTION, POWDER COATED, GRAY H16B上壳,顶出M25,4耳,低结构,灰色粉末喷涂	-	M25	
T1220160132-000	H16B-TG-M32	H16B HOOD, TOP ENTRY M32, 4 EAR, LOW CONSTRUCTION, POWDER COATED, GRAY H16B上壳,顶出M32,4耳,低结构,灰色粉末喷涂	-	M32	
T1220160136-000	H16B-TG-M36	H16B HOOD, TOP ENTRY M36, 4 EAR, LOW CONSTRUCTION, POWDER COATED, GRAY H16B上壳,顶出M36,4耳,低结构,灰色粉末喷涂	-	M36	
成品料号 ASSEMBLY PART NUMBER	成品描述 ASSEMBLY PART DESCRIPTION		PG/M THREAD-1 PG/M 螺纹孔-1	PG/M THREAD-2 PG/M 螺纹孔-2	TYPE

THIS DRAWING IS A CONTROLLED DOCUMENT.		DWN DAVID.WANG 25MAY2015	STE TE Connectivity	
		CHK CHRIS.WANG 25MAY2015		
		APVD XIANG.XU 25MAY2015	NAME H16B-TS/TG-M/PG	
DIMENSIONS: mm		PRODUCT SPEC 108-137013	SIZE CAGE CODE DRAWING NO RESTRICTED TO	
TOLERANCES UNLESS OTHERWISE SPECIFIED:		APPLICATION SPEC 114-137013	A200779 C-T12X01601XX000	
MATERIAL		WEIGHT	SCALE 1:1 SHEET 2 OF 2 REV A1	
0 PLC ±-		Customer Drawing		
1 PLC ±-				
2 PLC ±-				
3 PLC ±-				
4 PLC ±-				
ANGLES ±-				
FINISH				

X-ON Electronics

Largest Supplier of Electrical and Electronic Components

Click to view similar products for [Heavy Duty Power Connectors](#) category:

Click to view products by [TE Connectivity](#) manufacturer:

Other Similar products are found below :

[1424439](#) [1424438](#) [09330062652](#) [2-8675P1](#) [605601-1](#) [6340G1](#) [6341G1](#) [6360G1](#) [6373G1](#) [6374g2](#) [6396G1](#) [647757-1](#) [66394-4](#) [6643411-1](#)
[6646058-2](#) [6646137-1](#) [6646138-1](#) [6646348-1](#) [6646479-1](#) [6646608-1](#) [6646786-1](#) [6646940-1](#) [6651091-1](#) [6651525-1](#) [6651529-1](#) [6651778-1](#)
[6651788-1](#) [696465-1](#) [696475-1](#) [73000005059](#) [73000005349](#) [73000005642](#) [73080255059](#) [73080965046](#) [765-15-0080A](#) [765-16-0080B](#)
[789.700-44](#) [789.700-54](#) [80-1010](#) [80-9](#) [827381-1](#) [829992-1](#) [902-77-02113](#) [PL00U-301-10D10](#) [PM103MOOLOO](#) [PM16S1620S32-50](#)
[PM212MOOLOO](#) [PM309FOOLOO](#) [PM324FOOLCH](#) [PMHPAF11S03](#)