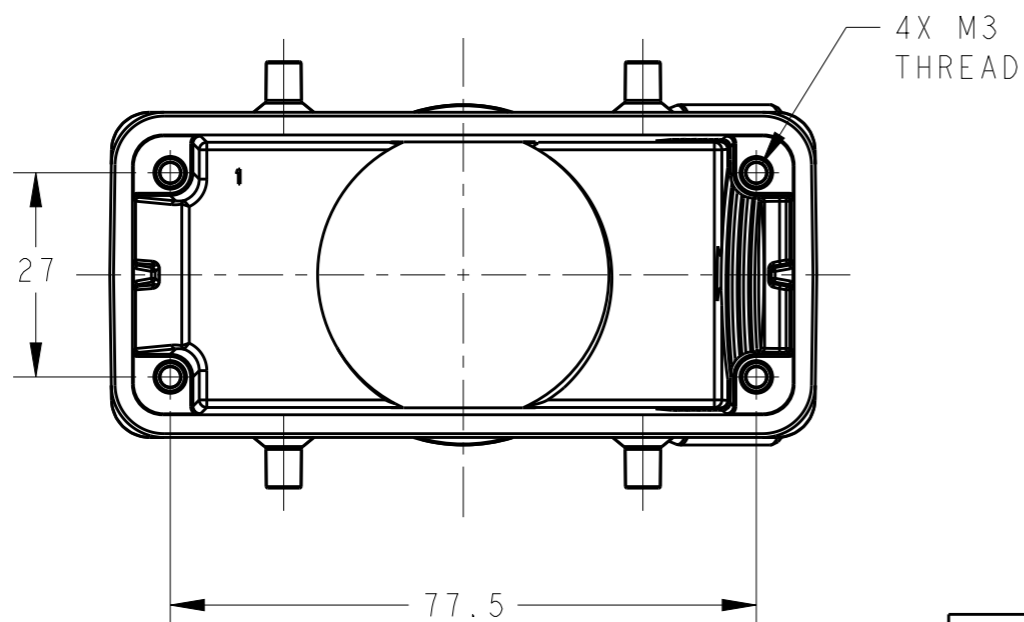
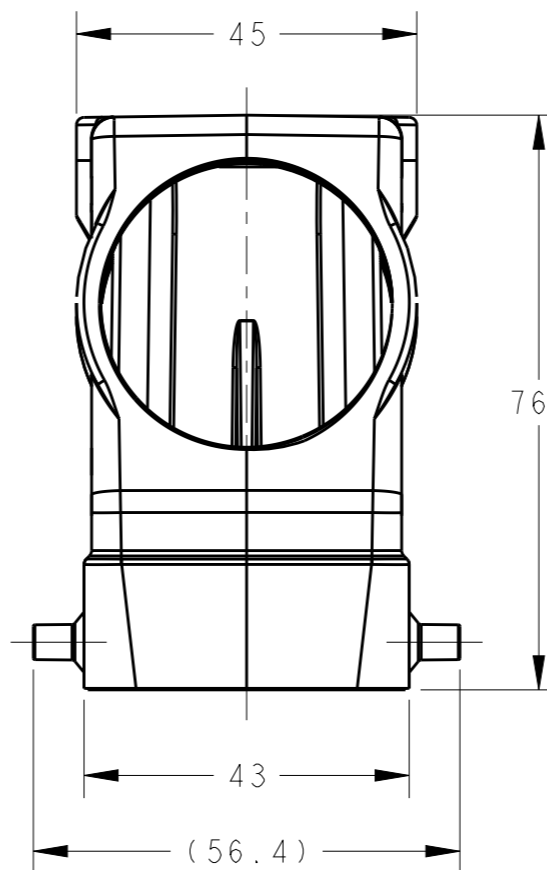
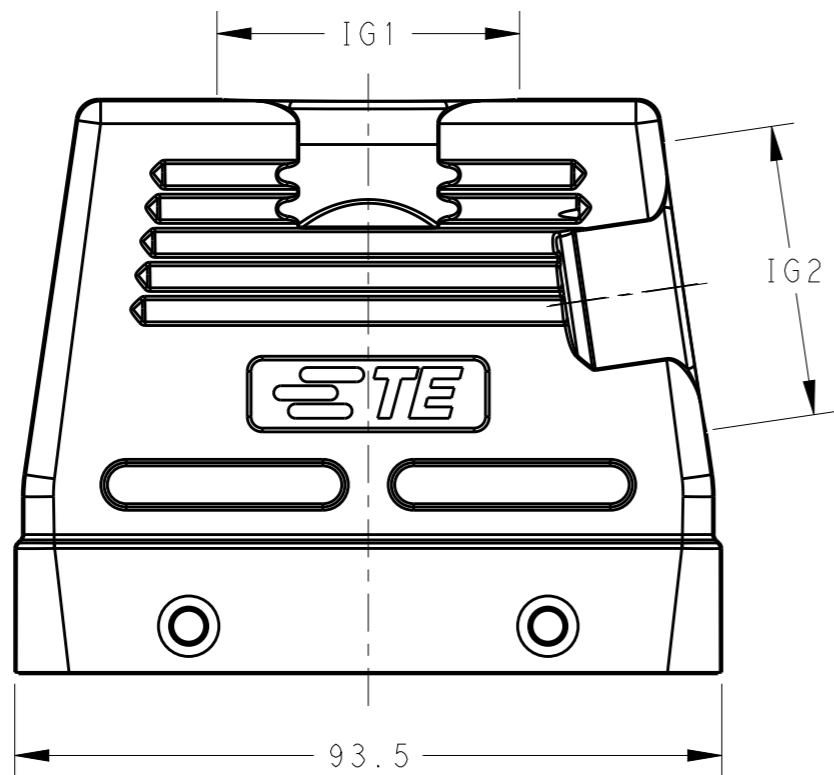
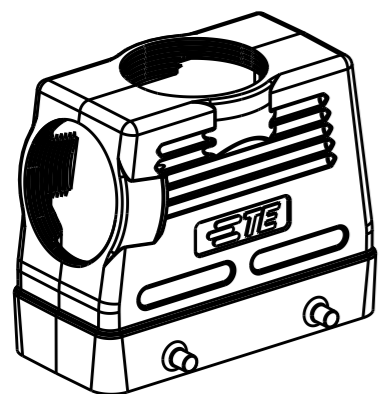


REVISIONS

P	LTR	DESCRIPTION	DATE	DWN	APVD
	A	INITIAL	25MAY2015	DW	CW
	A1	ECR-18-010109	07JUL2018	CD	CW
	A2	ECR-18-018360	28NOV2018	GY	CW



NOTES:

- 1. TECHNICAL CHARACTERISTICS:  
 HOOD MATERIAL: DIE CAST ALUMINIUM ALLOY  
 SURFACE: POWDER COATED, GREY  
 DEGREE OF PROTECTION: IP65 (MATED)

注释:

- 1. 技术参数:  
 上壳材料: 铝合金  
 表面处理: 粉末涂层, 灰色  
 防护等级: IP65(配合)

THIS DRAWING IS A CONTROLLED DOCUMENT.

DIMENSIONS:	TOLERANCES UNLESS OTHERWISE SPECIFIED:
mm	
	0 PLC ±-
	1 PLC ±-
	2 PLC ±-
	3 PLC ±-
	4 PLC ±-
	ANGLES ±-
MATERIAL	FINISH
-	-
-	-

DWN	25MAY2015
David Wang	
CHK	25MAY2015
Chris Wang	
APVD	25MAY2015
Xiang Xu	
PRODUCT SPEC	108-137013
APPLICATION SPEC	114-137013
WEIGHT	-
Customer Drawing	


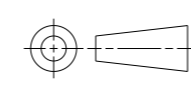


NAME		H16B-TGH/TSH-M/PG	
SIZE	CAGE CODE	DRAWING NO	RESTRICTED TO
A3	00779	©-T1XX016XXXX000	-
SCALE		SHEET	REV
1:1		1 OF 2	A2

THIS DRAWING IS UNPUBLISHED. RELEASED FOR PUBLICATION 20  
 © COPYRIGHT 20 BY - ALL RIGHTS RESERVED.

REVISIONS					
P	LTR	DESCRIPTION	DATE	DWN	APVD
	-	SEE SHEET 1	-	-	-

T1190162032-000	H16B-TGH/TSH-M32/M20	H16B HOOD, TOP ENTRY M20, SIDE ENTRY M32, 4 EAR, HIGH CONSTRUCTION, POWDER COATED, GREY H16B上壳, 顶出M32, 侧出M20, 4耳, 高结构, 灰色粉末喷涂	M32	M20
T1190164020-000	H16B-TGH/TSH-M20/M40	H16B HOOD, TOP ENTRY M20, SIDE ENTRY M40, 4 EAR, HIGH CONSTRUCTION, POWDER COATED, GREY H16B上壳, 顶出M20, 侧出M40, 4耳, 高结构, 灰色粉末喷涂	M20	M40
T1190162121-000	H16B-TGH/TSH-PG21/PG21	H16B HOOD, TOP ENTRY PG21, SIDE ENTRY PG21, 4 EAR, HIGH CONSTRUCTION, POWDER COATED, GREY H16B上壳, 顶出PG21, 侧出PG21, 4耳, 高结构, 灰色粉末喷涂	PG21	PG21
T1190162525-000	H16B-TGH/TSH-M25/M25	H16B HOOD, TOP ENTRY M25, SIDE ENTRY M25, 4 EAR, HIGH CONSTRUCTION, POWDER COATED, GREY H16B上壳, 顶出M25, 侧出M25, 4耳, 高结构, 灰色粉末喷涂	M25	M25
T1190162532-000	H16B-TGH/TSH-M32/M25	H16B HOOD, TOP ENTRY M32, SIDE ENTRY M25, 4 EAR, HIGH CONSTRUCTION, POWDER COATED, GREY H16B上壳, 顶出M32, 侧出M25, 4耳, 高结构, 灰色粉末喷涂	M32	M25
T1190162911-000	H16B-TGH/TSH-PG11/PG29	H16B HOOD, TOP ENTRY PG11, SIDE ENTRY PG29, 4 EAR, HIGH CONSTRUCTION, POWDER COATED, GREY H16B上壳, 顶出PG11, 侧出PG29, 4耳, 高结构, 灰色粉末喷涂	PG11	PG29
T1190162929-000	H16B-TGH/TSH-2PG29	H16B HOOD, TOP ENTRY PG29, SIDE ENTRY PG29, 4 EAR, HIGH CONSTRUCTION, POWDER COATED, GREY H16B上壳, 顶出PG29, 侧出PG29, 4耳, 高结构, 灰色粉末喷涂	PG29	PG29
T1190162040-000	H16B-TGH/TSH-M40/M20	H16B HOOD, TOP ENTRY M40, SIDE ENTRY M20, 4 EAR, HIGH CONSTRUCTION, POWDER COATED, GREY H16B上壳, 顶出M40, 侧出M20, 4耳, 高结构, 灰色粉末喷涂	M40	M20
T1190162940-000	H16B-TGH/TSH-M40/PG29	H16B HOOD, TOP ENTRY M40, SIDE ENTRY PG29, 4 EAR, HIGH CONSTRUCTION, POWDER COATED, GREY H16B上壳, 顶出M40, 侧出PG29, 4耳, 高结构, 灰色粉末喷涂	M40	PG29
T1190163240-000	H16B-TGH/TSH-M40/M32	H16B HOOD, TOP ENTRY M40, SIDE ENTRY M32, 4 EAR, HIGH CONSTRUCTION, POWDER COATED, GREY H16B上壳, 顶出M40, 侧出M32, 4耳, 高结构, 灰色粉末喷涂	M40	M32
T1190164032-000	H16B-TGH/TSH-M32/M40	H16B HOOD, TOP ENTRY M32, SIDE ENTRY M40, 4 EAR, HIGH CONSTRUCTION, POWDER COATED, GREY H16B上壳, 顶出M32, 侧出M40, 4耳, 高结构, 灰色粉末喷涂	M32	M40
T1230162532-000	H16B-TGH/TSH-M25/M32	H16B HOOD, TOP ENTRY M25, SIDE ENTRY M32, 4 EAR, HIGH CONSTRUCTION, POWDER COATED, GREY H16B上壳, 顶出M25, 侧出M32, 4耳, 高结构, 灰色粉末喷涂	M25	M32
T1230162540-000	H16B-TGH/TSH-M25/M40	H16B HOOD, TOP ENTRY M25, SIDE ENTRY M40, 4 EAR, HIGH CONSTRUCTION, POWDER COATED, GREY H16B上壳, 顶出M25, 侧出M40, 4耳, 高结构, 灰色粉末喷涂	M25	M40
T1230163232-000	H16B-TSH/TGH-2M32	H16B HOOD, SIDE/TOP ENTRY M32, 4 EAR, HIGH CONSTRUCTION, POWDER COATED, GREY H16B上壳, 侧/顶出M32, 4耳, 高结构, 灰色粉末喷涂	M32	M32
T1230164040-000	H16B-TGH/TSH-M40/M40	H16B HOOD, TOP/SIDE ENTRY M40, 4 EAR, HIGH CONSTRUCTION, POWDER COATED, GREY H16B上壳, 顶/侧出M40, 4耳, 高结构, 灰色粉末喷涂	M40	M40
T1240164025-000	H16B-TGH/TSH-M40/M25	H16B HOOD, TOP ENTRY M40, SIDE ENTRY M25, HIGH CONSTRUCTION, 4 EAR, POWDER COATED, GREY H16B上壳, 顶出M40, 侧出M25, 高结构, 4耳, 灰色粉末喷涂	M40	M25
PART NUMBER 料号	PART DESCRIPTION 描述		IG1 THREAD-1 IG1 螺纹孔-1	IG2 THREAD-2 IG2 螺纹孔-2

THIS DRAWING IS A CONTROLLED DOCUMENT.		DWN 25MAY2015 David Wang	 TE Connectivity				
DIMENSIONS: mm		CHK 25MAY2015 Chris Wang			NAME H16B-TGH/TSH-M/PG		
TOLERANCES UNLESS OTHERWISE SPECIFIED:		APVD 25MAY2015 Xiang Xu					
		PRODUCT SPEC 108-137013					
MATERIAL		FINISH	APPLICATION SPEC 114-137013	SIZE A3	CAGE CODE 00779	DRAWING NO G-T1XX016XXXX000	RESTRICTED TO -
-		-	WEIGHT -	SCALE 1:1		SHEET 2 OF 2	REV A2
Customer Drawing							

## X-ON Electronics

Largest Supplier of Electrical and Electronic Components

*Click to view similar products for [Heavy Duty Power Connectors](#) category:*

*Click to view products by [TE Connectivity](#) manufacturer:*

Other Similar products are found below :

[1424439](#) [1424438](#) [09330062652](#) [2-8675P1](#) [605601-1](#) [6340G1](#) [6341G1](#) [6360G1](#) [6373G1](#) [6374g2](#) [6396G1](#) [647757-1](#) [66394-4](#) [6643411-1](#)  
[6646058-2](#) [6646137-1](#) [6646138-1](#) [6646348-1](#) [6646479-1](#) [6646608-1](#) [6646786-1](#) [6646940-1](#) [6651091-1](#) [6651525-1](#) [6651529-1](#) [6651778-1](#)  
[6651788-1](#) [696465-1](#) [696475-1](#) [73000005059](#) [73000005349](#) [73000005642](#) [73080255059](#) [73080965046](#) [765-15-0080A](#) [765-16-0080B](#)  
[789.700-44](#) [789.700-54](#) [80-1010](#) [80-9](#) [827381-1](#) [829992-1](#) [902-77-02113](#) [PL00U-301-10D10](#) [PM103MOOLOO](#) [PM16S1620S32-50](#)  
[PM212MOOLOO](#) [PM309FOOLOO](#) [PM324FOOLCH](#) [PMHPAF11S03](#)