

THIS DRAWING IS UNPUBLISHED.

RELEASED FOR PUBLICATION

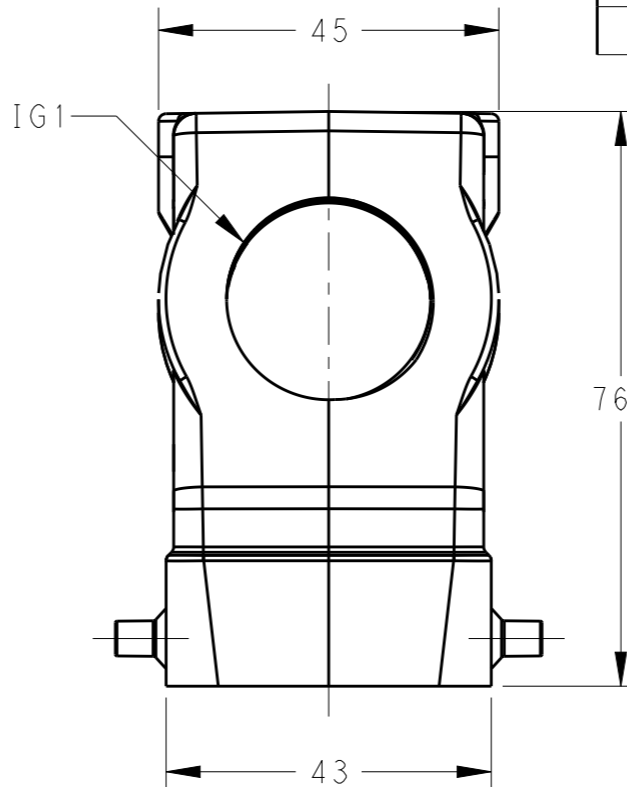
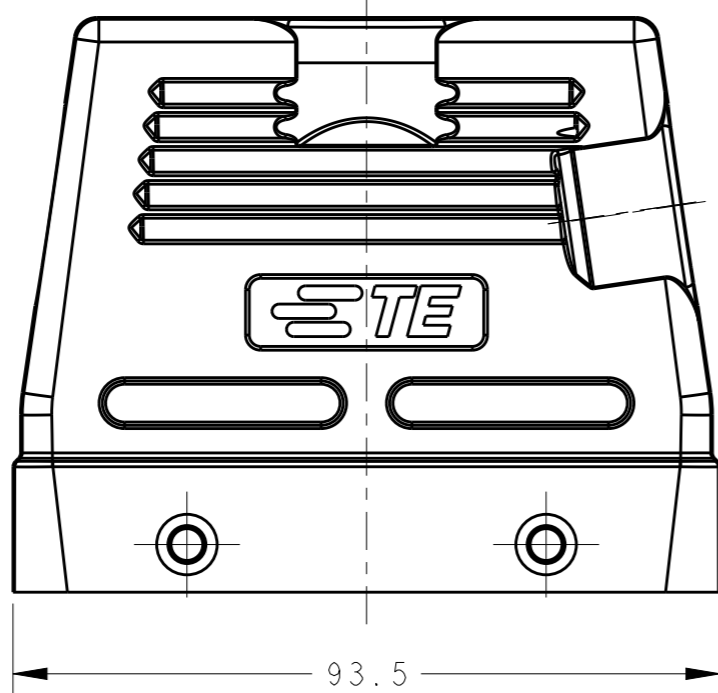
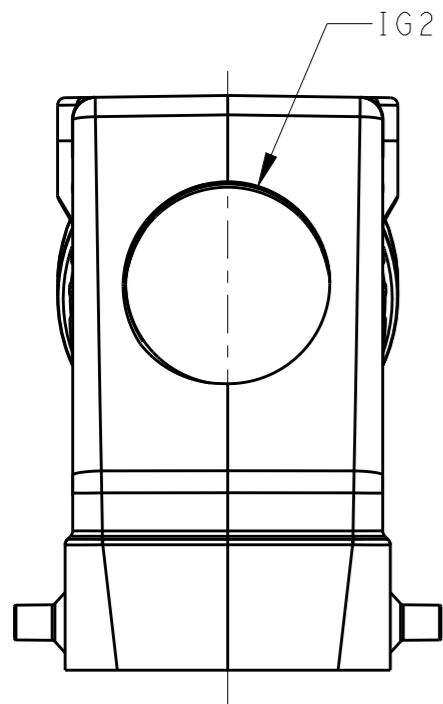
20

© COPYRIGHT 20 BY -

ALL RIGHTS RESERVED.

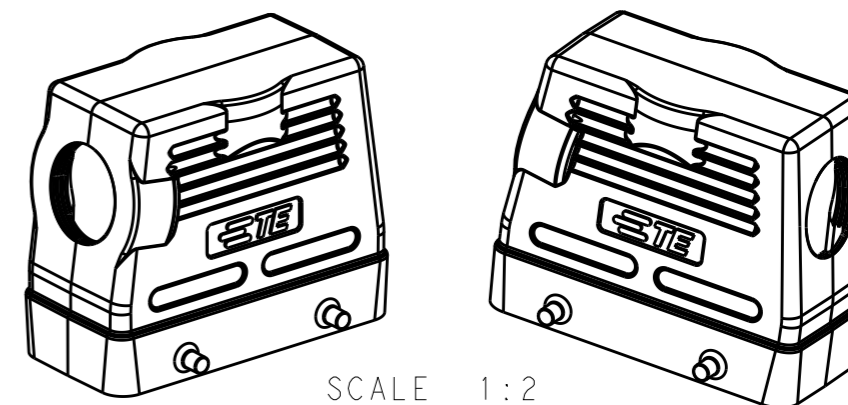
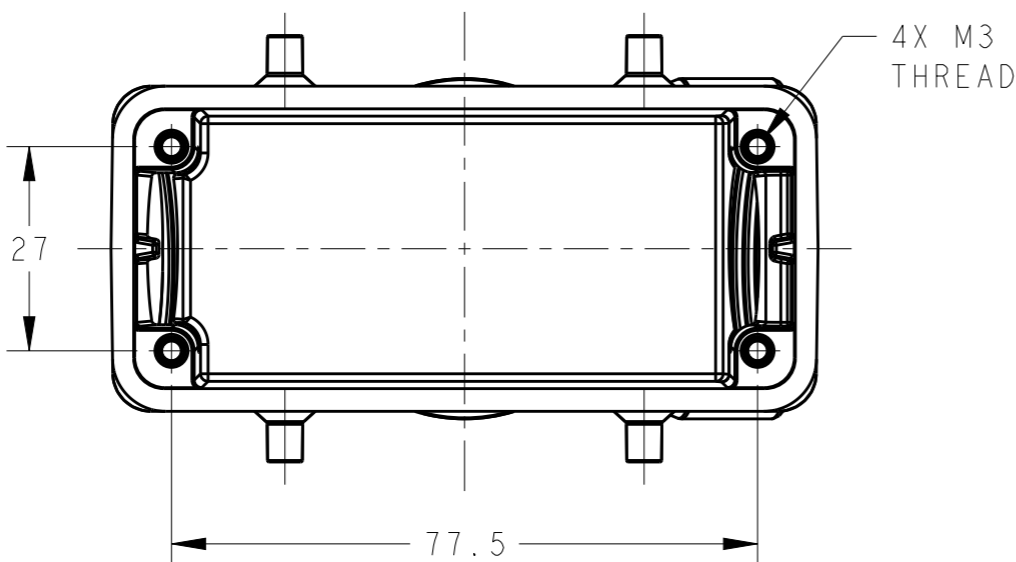
REVISIONS

P	LTR	DESCRIPTION	DATE	DWN	APVD
	A	INITIAL	21MAY2015	DW	CW



NOTES:
 1. TECHNICAL CHARACTERISTICS:
 HOOD MATERIAL: DIE CAST ALUMINIUM ALLOY
 SURFACE: POWDER COATED, GREY
 OPERATION TEMPERATURE: -40-+125°C
 DEGREE OF PROTECTION: IP65 (MATED)

注释:
 1. 技术参数:
 上壳材料: 铝合金
 表面处理: 粉末涂层, 灰色
 工作温度: -40-+125°C
 防护等级: IP65(配合)



T1230160221-000	H16B-TSH-2PG21	HIGH CONSTRUCTION	PG21	PG21
T1230160225-000	H16B-TSH-2M25		M25	M25
T1230160232-000	H16B-TSH-2M32		M32	M32
PART NUMBER	DESCRIPTION	TYPE	IG1	IG2

THIS DRAWING IS A CONTROLLED DOCUMENT.

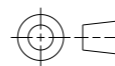
DWN 21MAY2015
 David Wang
 CHK 21MAY2015
 Chris Wang
 APVD 21MAY2015
 Xiang Xu

STE TE Connectivity

NAME H16B-TSH-2M/PG

DIMENSIONS: mm

TOLERANCES UNLESS OTHERWISE SPECIFIED:



0 PLC ±-
 1 PLC ±-
 2 PLC ±-
 3 PLC ±-
 4 PLC ±-
 ANGLES ±-

PRODUCT SPEC 108-137013
 APPLICATION SPEC 114-137013

SIZE CAGE CODE DRAWING NO RESTRICTED TO

MATERIAL -

FINISH -

WEIGHT -
 Customer Drawing

A300779 © T12301602XX000

SCALE 1:1 SHEET 1 OF 1 REV A

X-ON Electronics

Largest Supplier of Electrical and Electronic Components

Click to view similar products for [Heavy Duty Power Connectors](#) category:

Click to view products by [TE Connectivity](#) manufacturer:

Other Similar products are found below :

[1424439](#) [1424438](#) [09330062652](#) [2-8675P1](#) [605601-1](#) [6340G1](#) [6341G1](#) [6360G1](#) [6373G1](#) [6374g2](#) [6396G1](#) [647757-1](#) [66394-4](#) [6643411-1](#)
[6646058-2](#) [6646137-1](#) [6646138-1](#) [6646348-1](#) [6646479-1](#) [6646608-1](#) [6646786-1](#) [6646940-1](#) [6651091-1](#) [6651525-1](#) [6651529-1](#) [6651778-1](#)
[6651788-1](#) [696465-1](#) [696475-1](#) [73000005059](#) [73000005349](#) [73000005642](#) [73080255059](#) [73080965046](#) [765-15-0080A](#) [765-16-0080B](#)
[789.700-44](#) [789.700-54](#) [80-1010](#) [80-9](#) [827381-1](#) [829992-1](#) [902-77-02113](#) [PL00U-301-10D10](#) [PM103MOOLOO](#) [PM16S1620S32-50](#)
[PM212MOOLOO](#) [PM309FOOLOO](#) [PM324FOOLCH](#) [PMHPAF11S03](#)