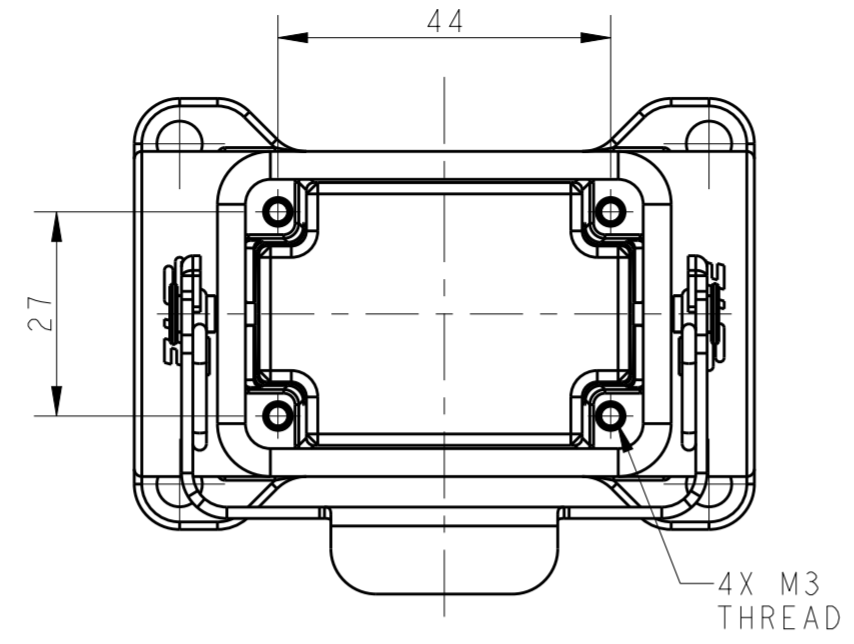


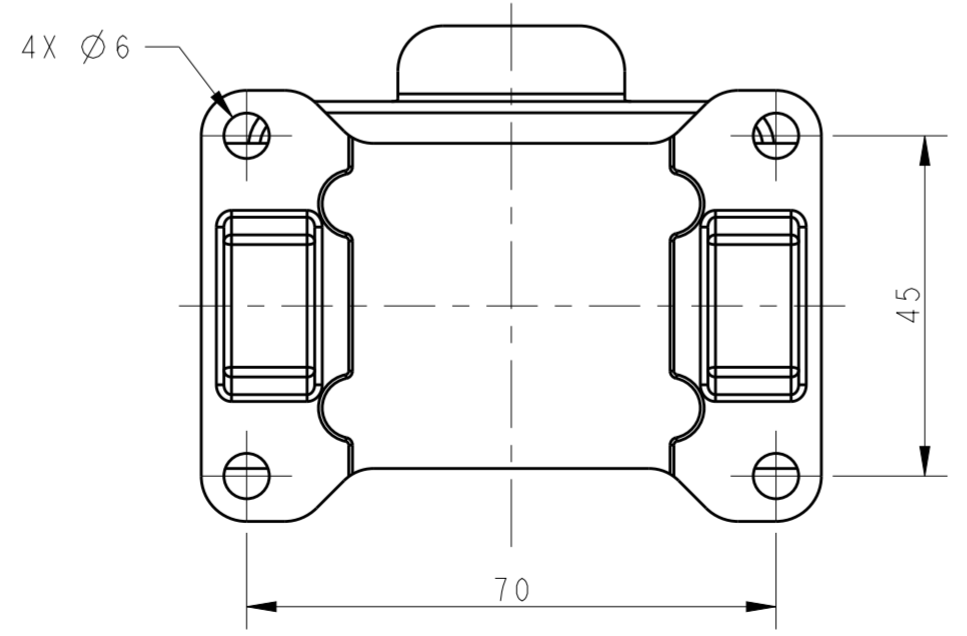
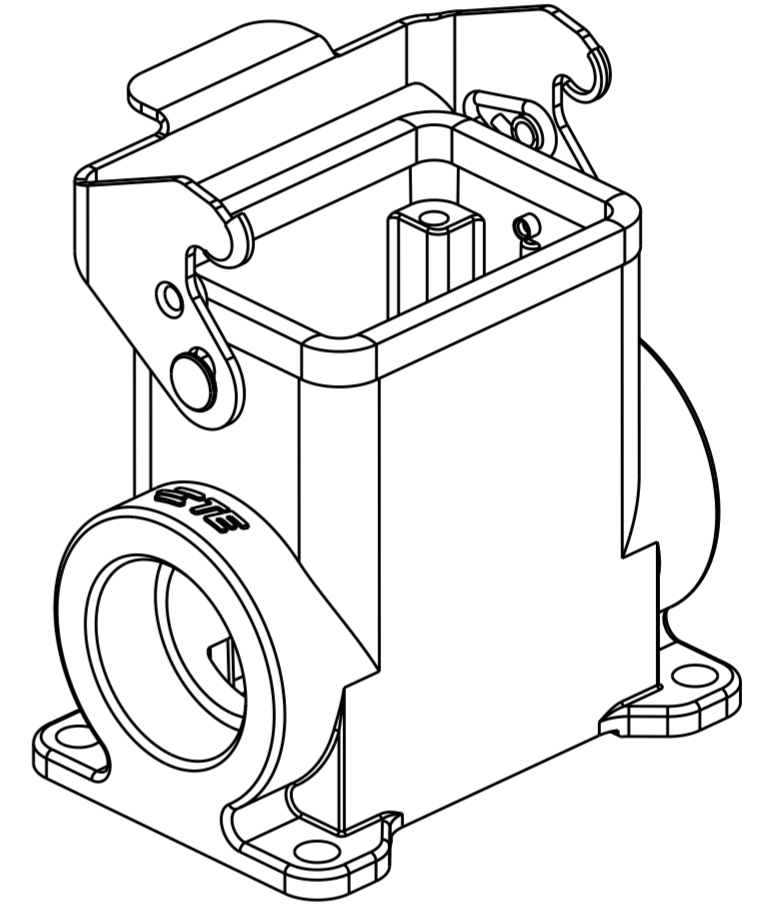
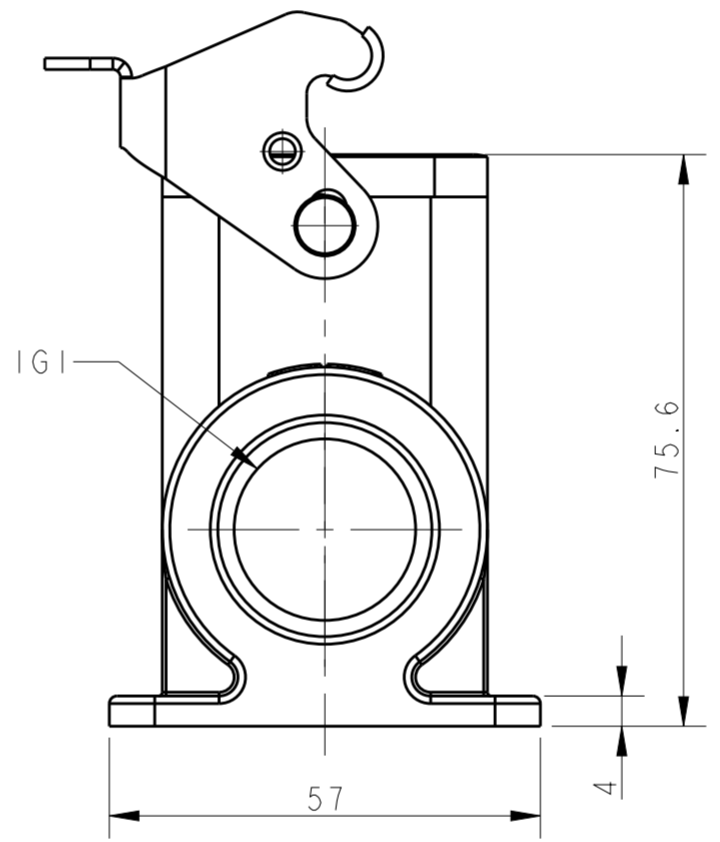
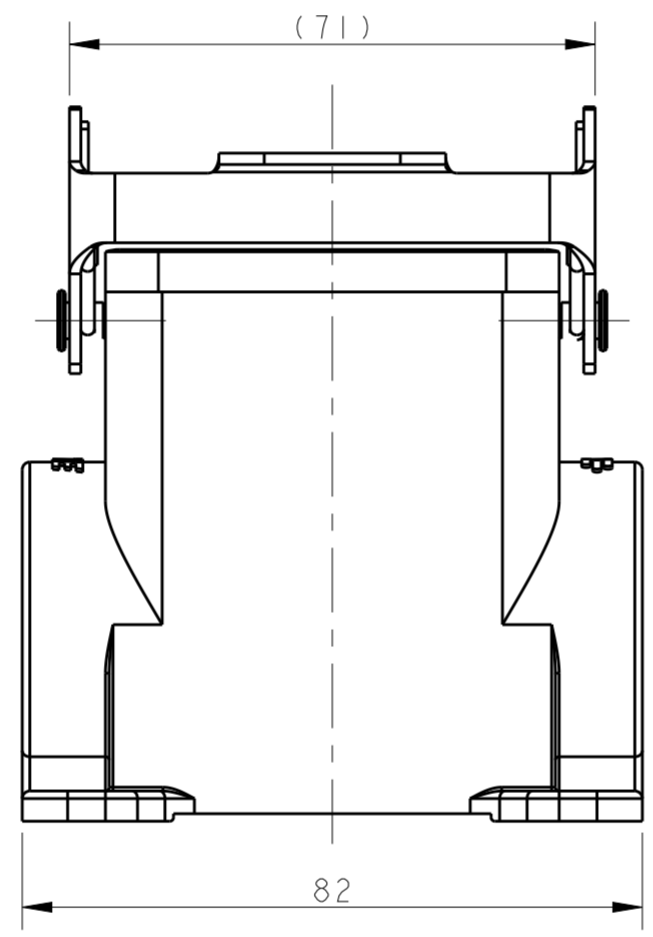
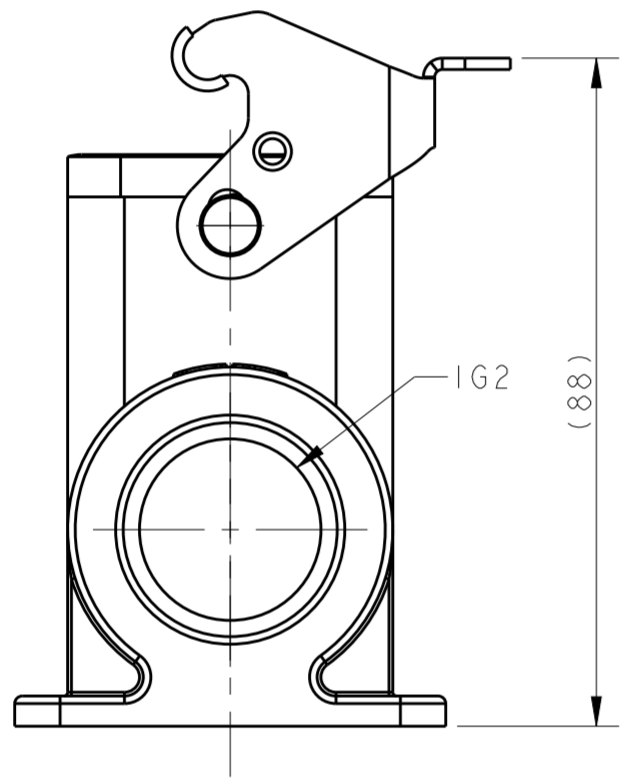
THIS DRAWING IS UNPUBLISHED. RELEASED FOR PUBLICATION 20
 © COPYRIGHT 20 BY - ALL RIGHTS RESERVED.

REVISIONS					
P	LTR	DESCRIPTION	DATE	DWN	APVD
	A	INITIAL	23JUN2015	DW	CW
	A1	ECR-18-009192	02SEP2018	YC	CW



NOTES:
 1. TECHNICAL CHARACTERISTICS:
 HOUSING MATERIAL: DIE CAST ALUMINIUM ALLOY
 SURFACE: POWDER COATED, GREY
 DEGREE OF PROTECTION: IP65 (MATED)

注释:
 1. 技术参数:
 表面安装外壳材料: 铝合金
 表面处理: 粉末涂层, 灰色
 防护等级: IP65(配合)



T1650063121-000	H6B-SGRH-PG21	H6B HOUSING,SURFACE MOUNTED,METAL SINGLE LOCKING,PG21,HIGH CONSTRUCTION,POWDER COATED,GREY H6B外壳,表面安装,彩钢单扣,PG21,高结构,灰色粉末喷涂	PG21	-
T1650063129-000	H6B-SGRH-PG29	H6B HOUSING,SURFACE MOUNTED,METAL SINGLE LOCKING,PG29,HIGH CONSTRUCTION,POWDER COATED,GREY H6B外壳,表面安装,彩钢单扣,PG29,高结构,灰色粉末喷涂	PG29	-
T1650063125-000	H6B-SGRH-M25	H6B HOUSING,SURFACE MOUNTED,METAL SINGLE LOCKING,M25,HIGH CONSTRUCTION,POWDER COATED,GREY H6B外壳,表面安装,彩钢单扣,M25,高结构,灰色粉末喷涂	M25	-
T1650063132-000	H6B-SGRH-M32	H6B HOUSING,SURFACE MOUNTED,METAL SINGLE LOCKING,M32,HIGH CONSTRUCTION,POWDER COATED,GREY H6B外壳,表面安装,彩钢单扣,M32,高结构,灰色粉末喷涂	M32	-
T1650063221-000	H6B-SGRH-2PG21	H6B HOUSING,SURFACE MOUNTED,METAL SINGLE LOCKING,2PG21,HIGH CONSTRUCTION,POWDER COATED,GREY H6B外壳,表面安装,彩钢单扣,2PG21,高结构,灰色粉末喷涂	PG21	PG21
T1650063225-000	H6B-SGRH-2M25	H6B HOUSING,SURFACE MOUNTED,METAL SINGLE LOCKING,2M25,HIGH CONSTRUCTION,POWDER COATED,GREY H6B外壳,表面安装,彩钢单扣,2M25,高结构,灰色粉末喷涂	M25	M25
T1650063229-000	H6B-SGRH-2PG29	H6B HOUSING,SURFACE MOUNTED,METAL SINGLE LOCKING,2PG29,HIGH CONSTRUCTION,POWDER COATED,GREY H6B外壳,表面安装,彩钢单扣,2PG29,高结构,灰色粉末喷涂	PG29	PG29
T1650063232-000	H6B-SGRH-2M32	H6B HOUSING,SURFACE MOUNTED,METAL SINGLE LOCKING,2M32,HIGH CONSTRUCTION,POWDER COATED,GREY H6B外壳,表面安装,彩钢单扣,2M32,高结构,灰色粉末喷涂	M32	M32
PART NUMBER 料号	PART DESCRIPTION 描述		1G1	1G2

THIS DRAWING IS A CONTROLLED DOCUMENT.

DWN DAVID WANG 23JUN2015	TE Connectivity NAME H6B-SGRH-M/PG				
CHK CHRIS WANG 23JUN2015					
APVD XIANG XU 23JUN2015					
PRODUCT SPEC 108-137013					
MATERIAL -	APPLICATION SPEC 114-137013	SIZE A2	CAGE CODE 00779	DRAWING NO T1650063XXX000	RESTRICTED TO -
DIMENSIONS: mm 		TOLERANCES UNLESS OTHERWISE SPECIFIED: 0 PLC ± 1 PLC ± 2 PLC ± 3 PLC ± 4 PLC ± ANGLES ± FINISH -		WEIGHT - CUSTOMER DRAWING SCALE 1:1 SHEET OF REV A1	

X-ON Electronics

Largest Supplier of Electrical and Electronic Components

Click to view similar products for [Heavy Duty Power Connectors](#) category:

Click to view products by [TE Connectivity](#) manufacturer:

Other Similar products are found below :

[1424439](#) [1424438](#) [09330062652](#) [2-8675P1](#) [605601-1](#) [6340G1](#) [6341G1](#) [6360G1](#) [6373G1](#) [6374g2](#) [6396G1](#) [647757-1](#) [66394-4](#) [6643411-1](#)
[6646058-2](#) [6646137-1](#) [6646138-1](#) [6646348-1](#) [6646479-1](#) [6646608-1](#) [6646786-1](#) [6646940-1](#) [6651091-1](#) [6651525-1](#) [6651529-1](#) [6651778-1](#)
[6651788-1](#) [696465-1](#) [696475-1](#) [73000005059](#) [73000005349](#) [73000005642](#) [73080255059](#) [73080965046](#) [765-15-0080A](#) [765-16-0080B](#)
[789.700-44](#) [789.700-54](#) [80-1010](#) [80-9](#) [827381-1](#) [829992-1](#) [902-77-02113](#) [PL00U-301-10D10](#) [PM103MOOLOO](#) [PM16S1620S32-50](#)
[PM212MOOLOO](#) [PM309FOOLOO](#) [PM324FOOLCH](#) [PMHPAF11S03](#)