

THIS DRAWING IS UNPUBLISHED.

RELEASED FOR PUBLICATION

20

© COPYRIGHT 20 BY -

ALL RIGHTS RESERVED.

REVISIONS

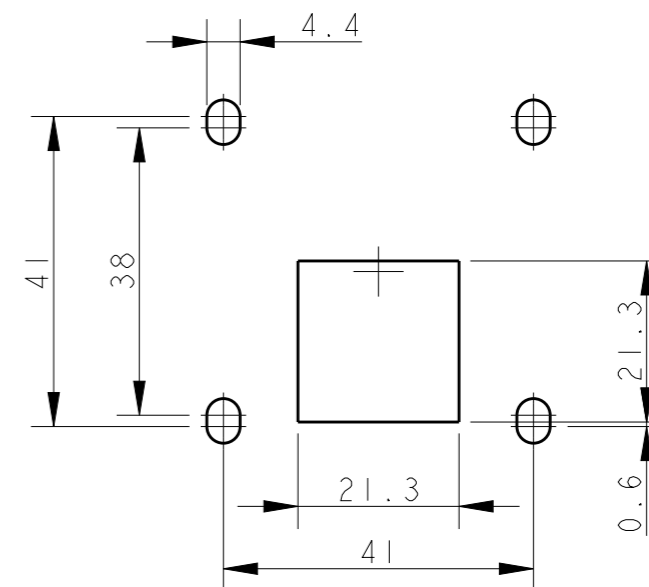
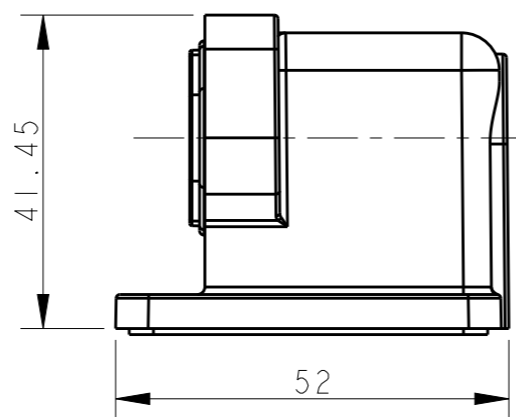
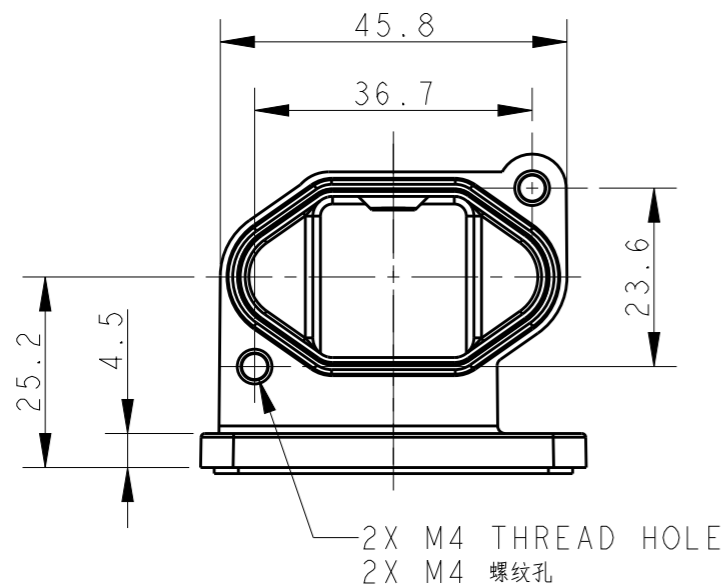
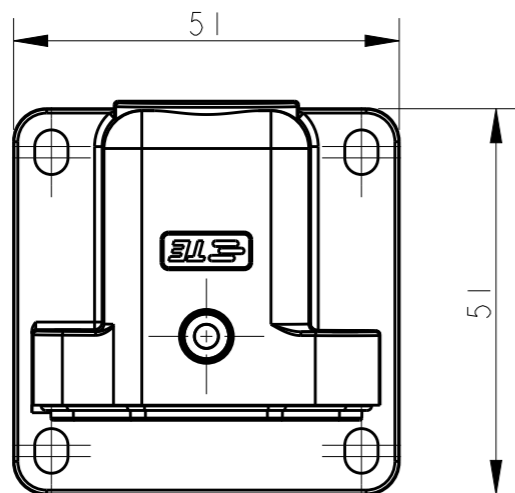
P	LTR	DESCRIPTION	DATE	DWN	APVD
	A	INITIAL RELEASE	27MAY2015	DL	CW
	A1	ECR-17-011766	15AUG2017	OY	CW

NOTES:

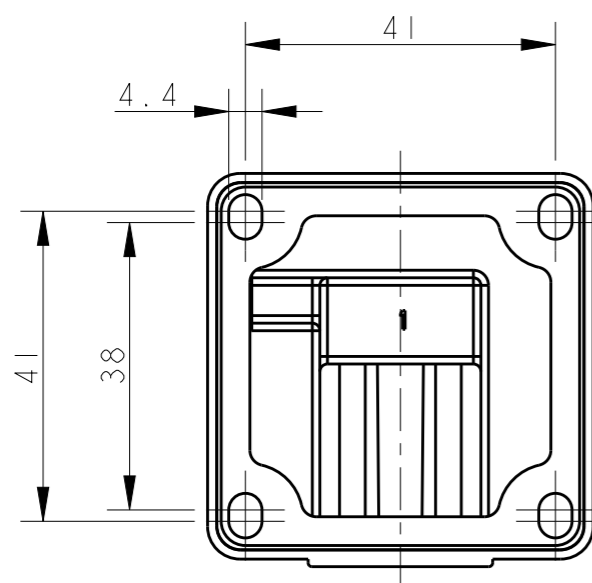
- 1. TECHNICAL CHARACTERISTICS:
 BODY MATERIAL: DIE CAST ALUMINIUM ALLOY
 SURFACE TREATMENT: POWDER-COATED
 DEGREE OF PROTECTION: IP65 (MATED)


注释:

- 1. 技术参数:
 主体材料: 铝合金
 表面处理: 粉末喷涂
 防护等级: IP65(配合)



RECOMMENDED PANEL CUT OUT DIMENSIONS
推荐面板开孔尺寸



THIS DRAWING IS A CONTROLLED DOCUMENT.		DWN DAVID LI 27MAY2015	 TE Connectivity	
DIMENSIONS: mm		CHK CHRIS WANG 27MAY2015		
TOLERANCES UNLESS OTHERWISE SPECIFIED:		APVD XU XIANG 27MAY2015	NAME H3APR-MAGS	
0 PLC ±-		PRODUCT SPEC 108-137011	SIZE A3	
1 PLC ±-		APPLICATION SPEC 114-137011	CAGE CODE -	DRAWING NO C-T194603X000000
2 PLC ±-		WEIGHT -	RESTRICTED TO -	
3 PLC ±-		MATERIAL -	SCALE 1:1	
4 PLC ±-			SHEET 1 OF 2	
ANGLES ±-		CUSTOMER DRAWING		REV A1
FINISH -				

THIS DRAWING IS UNPUBLISHED.

RELEASED FOR PUBLICATION

20

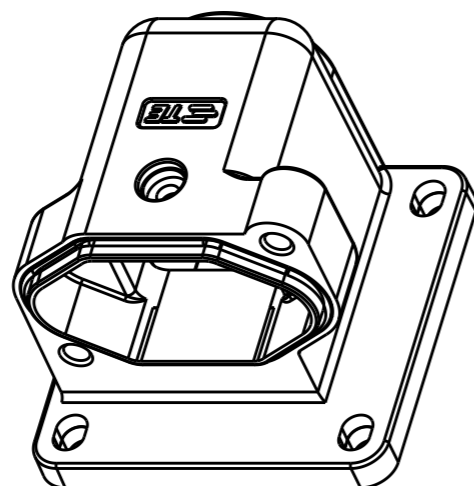
© COPYRIGHT 20 BY -

ALL RIGHTS RESERVED.

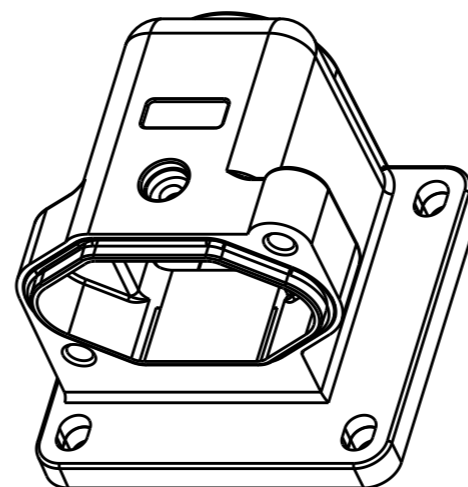
REVISIONS

P	LTR	DESCRIPTION	DATE	DWN	APVD
	-	SEE SHEET 1	-	-	-

NOTES:
SEE SHEET 1




TYPE-1:TE LOGO
类型-1:TE LOGO



TYPE-2:NO LOGO,ALL THE DIMENSIONS ARE THE SAME WITH
TYPE-1,EXCEPT LOGO.
类型-2:无 LOGO,除了LOGO所有的尺寸与类型-1一致.

PART NUMBER 料号	H3APR-MAGS	PART DESCRIPTION 描述	TYPE 类型
T1946032000-001	H3APR-MAGS	H3APR HOUSING,QUADRANGLED INNER-HEX SCREW LOCKING,BULKHEAD MOUNTED,RIGHT ANGLED,POWDER COATED,DEEP GREY,NO LOGO, H3ARP下壳,内六角螺丝四角锁定,开孔安装,弯角,深灰色粉末喷涂,无LOGO	TYPE-2 类型-2
T1946030000-000	H3APR-MAGS	H3APR HOUSING,QUADRANGLED INNER-HEX SCREW LOCKING, BULKHEAD MOUNTED,RIGHT ANGLED,POWDER COATED,BLACK H3ARP下壳,内六角螺丝四角锁定,开孔安装,弯角,黑色粉末喷涂	TYPE-1 类型-1
T1946031000-000	H3APR-MAGS	H3APR HOUSING,QUADRANGLED INNER-HEX SCREW LOCKING, BULKHEAD MOUNTED,RIGHT ANGLED,POWDER COATED,SILVER WHITE H3ARP下壳,内六角螺丝四角锁定,开孔安装,弯角,银白色粉末喷	
T1946032000-000	H3APR-MAGS	H3APR HOUSING,QUADRANGLED INNER-HEX SCREW LOCKING, BULKHEAD MOUNTED,RIGHT ANGLED,POWDER COATED,GREY H3ARP下壳,内六角螺丝四角锁定,开孔安装,弯角,灰色粉末喷涂	

THIS DRAWING IS A CONTROLLED DOCUMENT.		DWN DAVID LI 27MAY2015	 TE Connectivity	
DIMENSIONS: mm		CHK CHRIS WANG 27MAY2015		
TOLERANCES UNLESS OTHERWISE SPECIFIED:		APVD XU XIANG 27MAY2015	NAME H3APR-MAGS	
0 PLC ±-		PRODUCT SPEC 108-137011	SIZE A3	
1 PLC ±-		APPLICATION SPEC 114-137011	CAGE CODE -	DRAWING NO C-T194603X000000
2 PLC ±-		WEIGHT -	RESTRICTED TO -	
3 PLC ±-		CUSTOMER DRAWING	SCALE 1:1	SHEET 2 OF 2
4 PLC ±-			REV A1	
ANGLES ±-				
FINISH -				
MATERIAL -				

X-ON Electronics

Largest Supplier of Electrical and Electronic Components

Click to view similar products for [Heavy Duty Power Connectors](#) category:

Click to view products by [TE Connectivity](#) manufacturer:

Other Similar products are found below :

[1424439](#) [1424438](#) [09330062652](#) [2-8675P1](#) [605601-1](#) [6340G1](#) [6341G1](#) [6360G1](#) [6373G1](#) [6374g2](#) [6396G1](#) [647757-1](#) [66394-4](#) [6643411-1](#)
[6646058-2](#) [6646137-1](#) [6646138-1](#) [6646348-1](#) [6646479-1](#) [6646608-1](#) [6646786-1](#) [6646940-1](#) [6651091-1](#) [6651525-1](#) [6651529-1](#) [6651778-1](#)
[6651788-1](#) [696465-1](#) [696475-1](#) [73000005059](#) [73000005349](#) [73000005642](#) [73080255059](#) [73080965046](#) [765-15-0080A](#) [765-16-0080B](#)
[789.700-44](#) [789.700-54](#) [80-1010](#) [80-9](#) [827381-1](#) [829992-1](#) [902-77-02113](#) [PL00U-301-10D10](#) [PM103MOOLOO](#) [PM16S1620S32-50](#)
[PM212MOOLOO](#) [PM309FOOLOO](#) [PM324FOOLCH](#) [PMHPAF11S03](#)