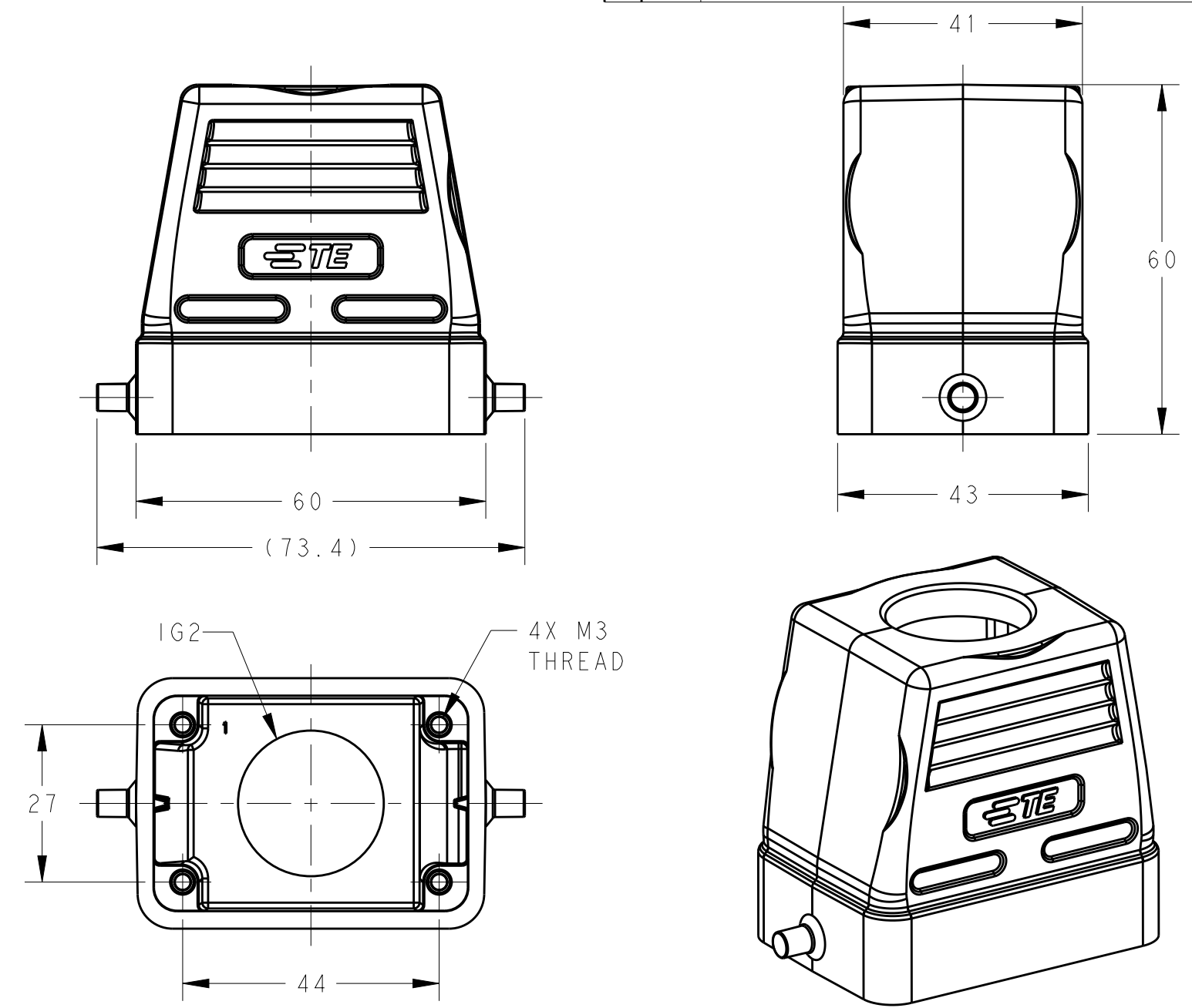
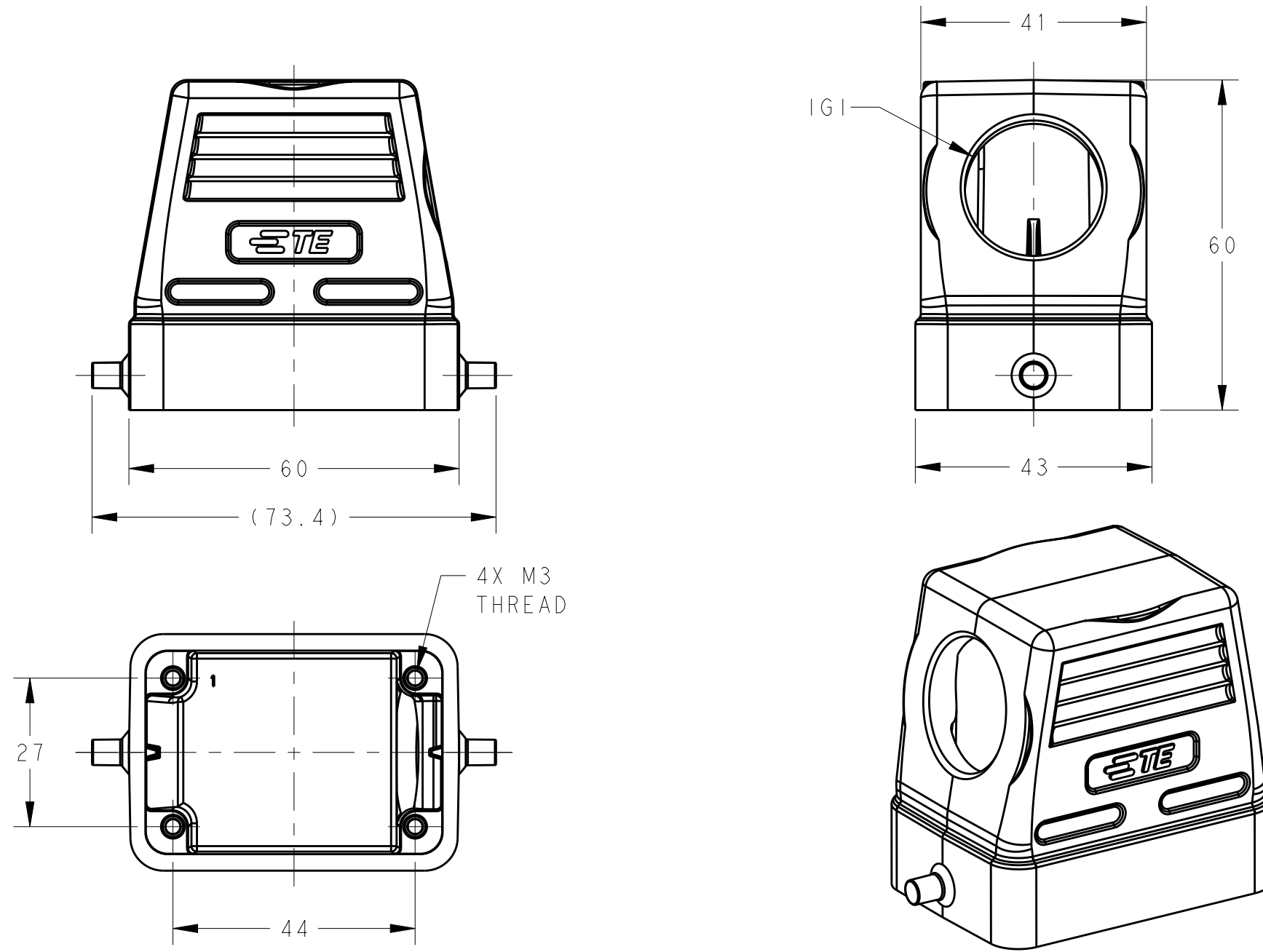


THIS DRAWING IS UNPUBLISHED. RELEASED FOR PUBLICATION 20  
 © COPYRIGHT 20 BY - ALL RIGHTS RESERVED.

REVISIONS				
P	LTR	DESCRIPTION	DATE	APVD
A		INITIAL	05JUN2015	DW CW
A1		ECR-18-010109	09JUL2018	CD CW

TYPE 1: LOW CONSTRUCTION, SIDE ENTRY  
 类型1: 低结构 侧出

TYPE 2: LOW CONSTRUCTION, TOP ENTRY  
 类型2: 低结构, 顶出



NOTES:  
 1. TECHNICAL CHARACTERISTICS:  
 HOOD MATERIAL: DIE CAST ALUMINIUM ALLOY  
 SURFACE: POWDER COATED, GREY  
 DEGREE OF PROTECTION: IP65 (MATED)

注释:  
 1. 技术参数:  
 上壳材料: 铝合金  
 表面处理: 粉末涂层, 灰色  
 防护等级: IP65 (配合)

ASSEMBLY PART NUMBER 成品料号	ASSEMBLY PART DESCRIPTION 成品描述	IG1	IG2	TYPE
T1310060105-000	H6B-TS-G1/2 H6B 上壳, 侧出 G1/2, 2 耳, 灰色粉末喷涂	G1/2	-	TYPE 1
T1310060111-000	H6B-TS-PG11 H6B 上壳, 侧出 PG11, 2 耳, 灰色粉末喷涂	PG11	-	
T1310060113-000	H6B-TS-PG13.5 H6B 上壳, 侧出 PG13.5, 2 耳, 灰色粉末喷涂	PG13.5	-	
T1310060116-000	H6B-TS-PG16 H6B 上壳, 侧出 PG16, 2 耳, 灰色粉末喷涂	PG16	-	
T1310060120-000	H6B-TS-M20 H6B 上壳, 侧出 M20, 2 耳, 灰色粉末喷涂	M20	-	
T1310060121-000	H6B-TS-PG21 H6B 上壳, 侧出 PG21, 2 耳, 灰色粉末喷涂	PG21	-	
T1310060125-000	H6B-TS-M25 H6B 上壳, 侧出 M25, 2 耳, 灰色粉末喷涂	M25	-	TYPE 2
T1320060113-000	H6B-TG-PG13.5 H6B 上壳, 顶出 PG13.5, 2 耳, 灰色粉末喷涂	-	PG13.5	
T1320060116-000	H6B-TG-PG16 H6B 上壳, 顶出 PG16, 2 耳, 灰色粉末喷涂	-	PG16	
T1320060120-000	H6B-TG-M20 H6B 上壳, 顶出 M20, 2 耳, 灰色粉末喷涂	-	M20	
T1320060121-000	H6B-TG-PG21 H6B 上壳, 顶出 PG21, 2 耳, 灰色粉末喷涂	-	PG21	
T1320060125-000	H6B-TG-M25 H6B 上壳, 顶出 M25, 2 耳, 灰色粉末喷涂	-	M25	
T1320060132-000	H6B-TG-M32 H6B 上壳, 顶出 M32, 2 耳, 灰色粉末喷涂	-	M32	

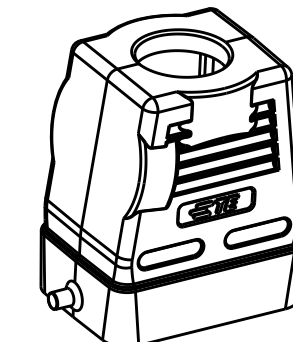
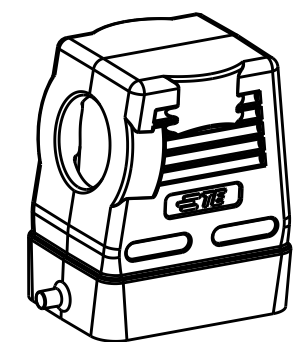
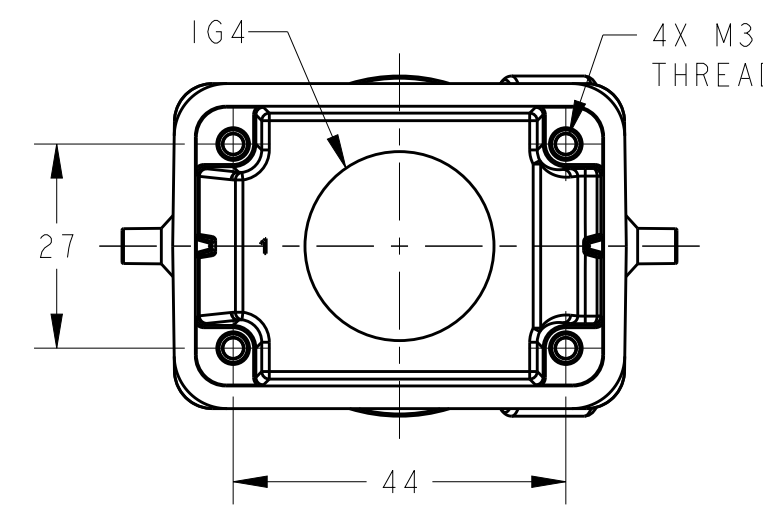
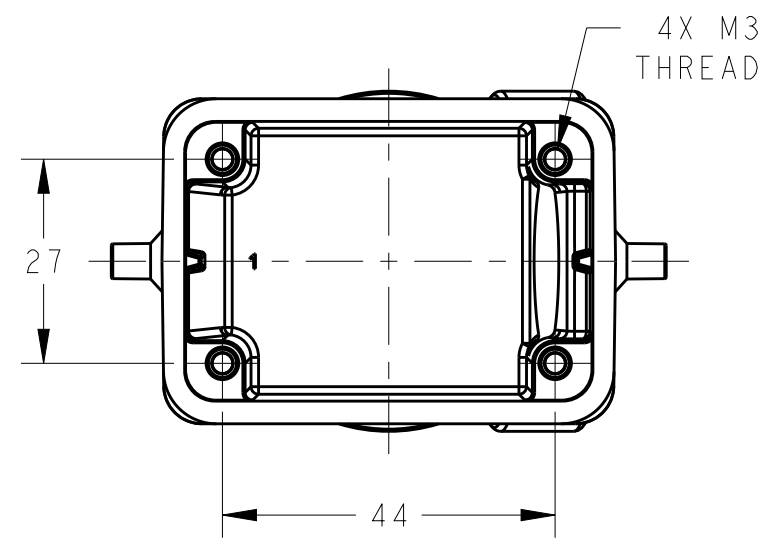
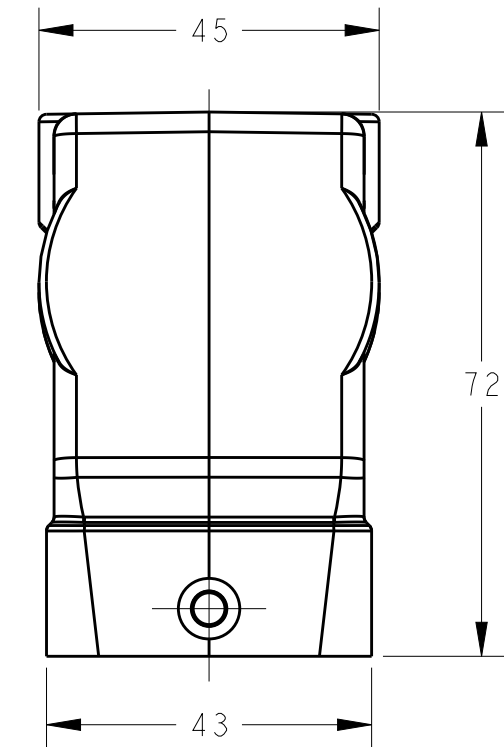
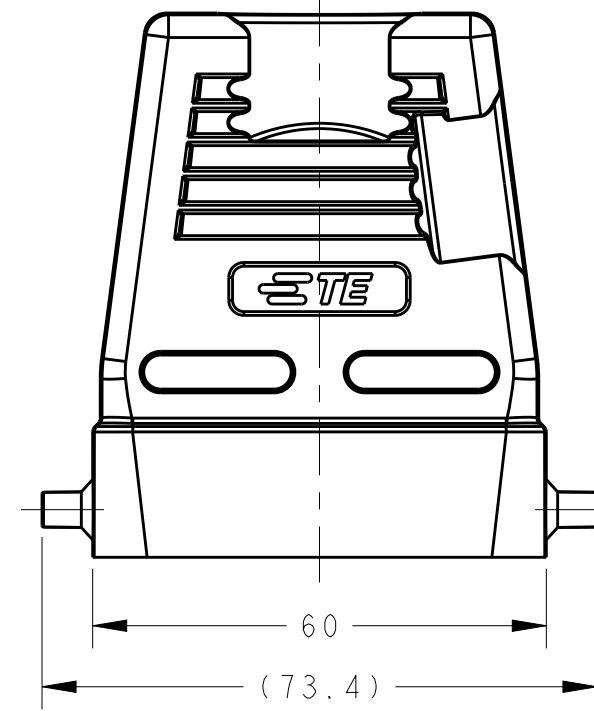
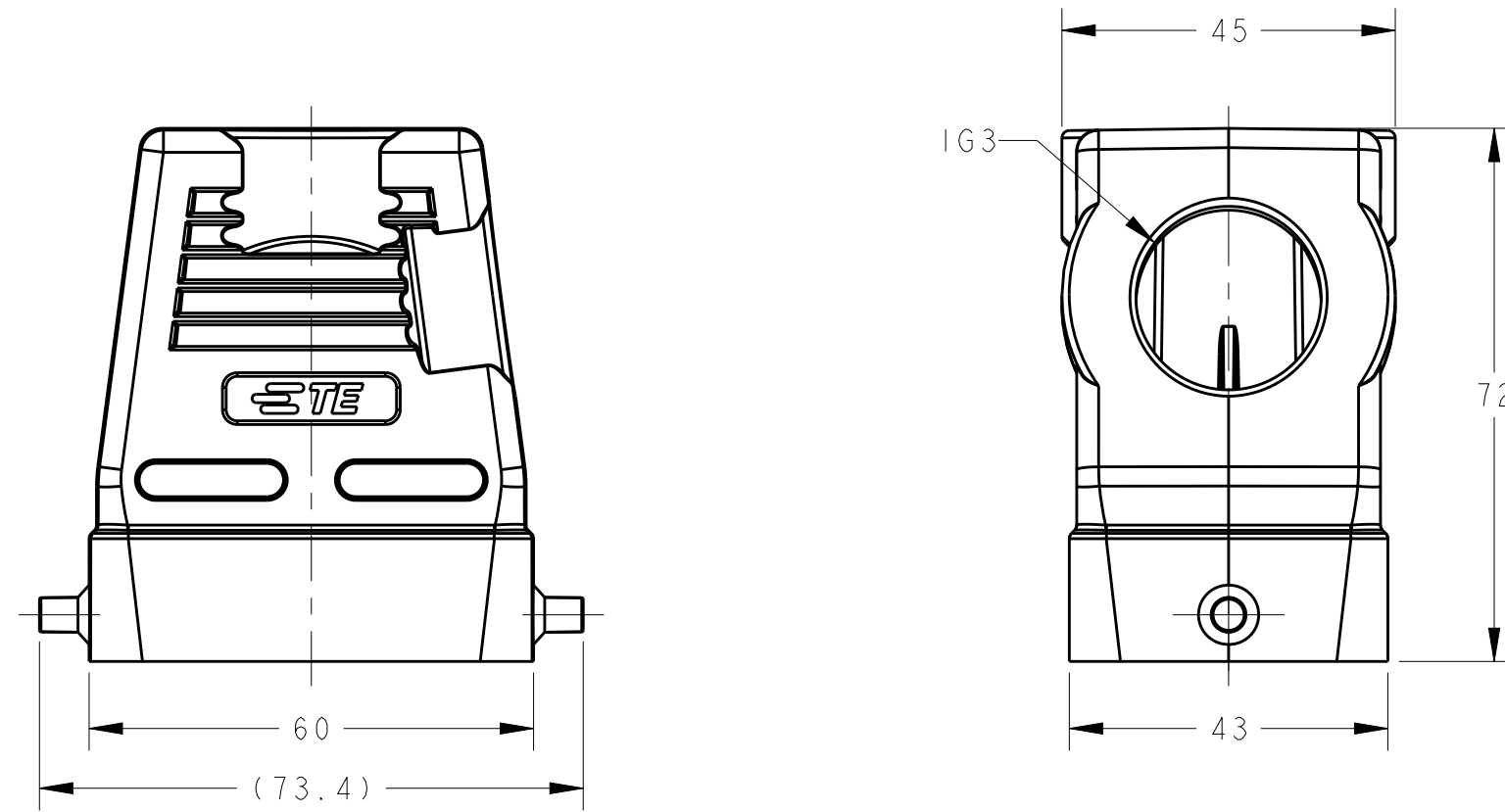
THIS DRAWING IS A CONTROLLED DOCUMENT.		DWN David Wang 05JUN2015	<b>STE</b> TE Connectivity	
		CHK Chris Wang 05JUN2015		
		APVD Xiang Xu 05JUN2015	NAME H6B-TS/TG/TSH/TGH-M/PG	
DIMENSIONS: mm		PRODUCT SPEC 108-137013	SIZE CAGE CODE DRAWING NO RESTRICTED TO	
TOLERANCES UNLESS OTHERWISE SPECIFIED:		APPLICATION SPEC 114-137013	A200779 C-T13X00601XX000	
MATERIAL		WEIGHT	SCALE 1:1 SHEET 1 OF 2 REV A1	
		Customer Drawing		

THIS DRAWING IS UNPUBLISHED. RELEASED FOR PUBLICATION 20  
 © COPYRIGHT 20 BY - ALL RIGHTS RESERVED.

REVISIONS				
P	LTR	DESCRIPTION	DATE	APVD
-		SEE SHEET 1	-	-

TYPE 3: HIGH CONSTRUCTION, SIDE ENTRY  
 类型3: 高结构, 侧出

TYPE 4: HIGH CONSTRUCTION, TOP ENTRY  
 类型4: 高结构, 顶出



SCALE 1:2

SCALE 1:2

NOTES:  
 SEE SHEET 1  
 备注:  
 见表格 1

ASSEMBLY PART NUMBER 成品料号	ASSEMBLY PART DESCRIPTION 成品描述	IG3	IG4	TYPE
T1330060106-000	H6B-TSH-M16 H6B HOOD, SIDE ENTRY M16, 2 EAR, HIGH CONSTRUCTION, POWDER COATED, GREY H6B上壳, 侧出M16, 2耳, 高结构, 灰色粉末喷涂	M16	-	TYPE3
T1330060113-000	H6B-TSH-PG13.5 H6B HOOD, SIDE ENTRY PG13.5, 2 EAR, HIGH CONSTRUCTION, POWDER COATED, GREY H6B上壳, 侧出PG13.5, 2耳, 高结构, 灰色粉末喷涂	PG13.5	-	
T1330060116-000	H6B-TSH-PG16 H6B HOOD, SIDE ENTRY PG16, 2 EAR, HIGH CONSTRUCTION, POWDER COATED, GREY H6B上壳, 侧出PG16, 2耳, 高结构, 灰色粉末喷涂	PG16	-	
T1330060120-000	H6B-TSH-M20 H6B HOOD, SIDE ENTRY M20, 2 EAR, HIGH CONSTRUCTION, POWDER COATED, GREY H6B上壳, 侧出M20, 2耳, 高结构, 灰色粉末喷涂	M20	-	
T1330060121-000	H6B-TSH-PG21 H6B HOOD, SIDE ENTRY PG21, 2 EAR, HIGH CONSTRUCTION, POWDER COATED, GREY H6B上壳, 侧出PG21, 2耳, 高结构, 灰色粉末喷涂	PG21	-	
T1330060125-000	H6B-TSH-M25 H6B HOOD, SIDE ENTRY M25, 2 EAR, HIGH CONSTRUCTION, POWDER COATED, GREY H6B上壳, 侧出M25, 2耳, 高结构, 灰色粉末喷涂	M25	-	
T1330060129-000	H6B-TSH-PG29 H6B HOOD, SIDE ENTRY PG29, 2 EAR, HIGH CONSTRUCTION, POWDER COATED, GREY H6B上壳, 侧出PG29, 2耳, 高结构, 灰色粉末喷涂	PG29	-	
T1330060132-000	H6B-TSH-M32 H6B HOOD, SIDE ENTRY M32, 2 EAR, HIGH CONSTRUCTION, POWDER COATED, GREY H6B上壳, 侧出M32, 2耳, 高结构, 灰色粉末喷涂	M32	-	
T1340060120-000	H6B-TGH-M20 H6B HOOD, TOP ENTRY M20, 2 EAR, HIGH CONSTRUCTION, POWDER COATED, GREY H6B上壳, 顶出M20, 2耳, 高结构, 灰色粉末喷涂	-	M20	TYPE4
T1340060121-000	H6B-TGH-PG21 H6B HOOD, TOP ENTRY PG21, 2 EAR, HIGH CONSTRUCTION, POWDER COATED, GREY H6B上壳, 顶出PG21, 2耳, 高结构, 灰色粉末喷涂	-	PG21	
T1340060125-000	H6B-TGH-M25 H6B HOOD, TOP ENTRY M25, 2 EAR, HIGH CONSTRUCTION, POWDER COATED, GREY H6B上壳, 顶出M25, 2耳, 高结构, 灰色粉末喷涂	-	M25	
T1340060129-000	H6B-TGH-PG29 H6B HOOD, TOP ENTRY PG29, 2 EAR, HIGH CONSTRUCTION, POWDER COATED, GREY H6B上壳, 顶出PG29, 2耳, 高结构, 灰色粉末喷涂	-	PG29	
T1340060130-000	H6B-TGH-M30 H6B HOOD, TOP ENTRY M30, 2 EAR, HIGH CONSTRUCTION, POWDER COATED, GREY H6B上壳, 顶出M30, 2耳, 高结构, 灰色粉末喷涂	-	M30	
T1340060132-000	H6B-TGH-M32 H6B HOOD, TOP ENTRY M32, 2 EAR, HIGH CONSTRUCTION, POWDER COATED, GREY H6B上壳, 顶出M32, 2耳, 高结构, 灰色粉末喷涂	-	M32	
T1340067134-000	H6B-TGH-NPT3/4 H6B HOOD, TOP ENTRY NPT3/4, 2 EAR, HIGH CONSTRUCTION, POWDER COATED, GREY H6B上壳, 顶出NPT3/4, 2耳, 高结构, 灰色粉末喷涂	-	NPT3/4	

THIS DRAWING IS A CONTROLLED DOCUMENT.		DWN 05JUN2015 David Wang	TE Connectivity	
DIMENSIONS: mm		CHK 05JUN2015 Chris Wang		
TOLERANCES UNLESS OTHERWISE SPECIFIED:		APVD 05JUN2015 Xiang Xu	NAME H6B-TS/TG/TSH/TGH-M/PG	
		PRODUCT SPEC 108-137013	SIZE CAGE CODE DRAWING NO RESTRICTED TO	
MATERIAL		APPLICATION SPEC 114-137013	A200779 C-T13X00601XX000	
FINISH		WEIGHT	SCALE 1:1 SHEET 2 OF 2 REV A1	
		Customer Drawing		

## X-ON Electronics

Largest Supplier of Electrical and Electronic Components

*Click to view similar products for [Heavy Duty Power Connectors](#) category:*

*Click to view products by [TE Connectivity](#) manufacturer:*

Other Similar products are found below :

[1424439](#) [1424438](#) [09330062652](#) [2-8675P1](#) [605601-1](#) [6340G1](#) [6341G1](#) [6360G1](#) [6373G1](#) [6374g2](#) [6396G1](#) [647757-1](#) [66394-4](#) [6643411-1](#)  
[6646058-2](#) [6646137-1](#) [6646138-1](#) [6646348-1](#) [6646479-1](#) [6646608-1](#) [6646786-1](#) [6646940-1](#) [6651091-1](#) [6651525-1](#) [6651529-1](#) [6651778-1](#)  
[6651788-1](#) [696465-1](#) [696475-1](#) [73000005059](#) [73000005349](#) [73000005642](#) [73080255059](#) [73080965046](#) [765-15-0080A](#) [765-16-0080B](#)  
[789.700-44](#) [789.700-54](#) [80-1010](#) [80-9](#) [827381-1](#) [829992-1](#) [902-77-02113](#) [PL00U-301-10D10](#) [PM103MOOLOO](#) [PM16S1620S32-50](#)  
[PM212MOOLOO](#) [PM309FOOLOO](#) [PM324FOOLCH](#) [PMHPAF11S03](#)