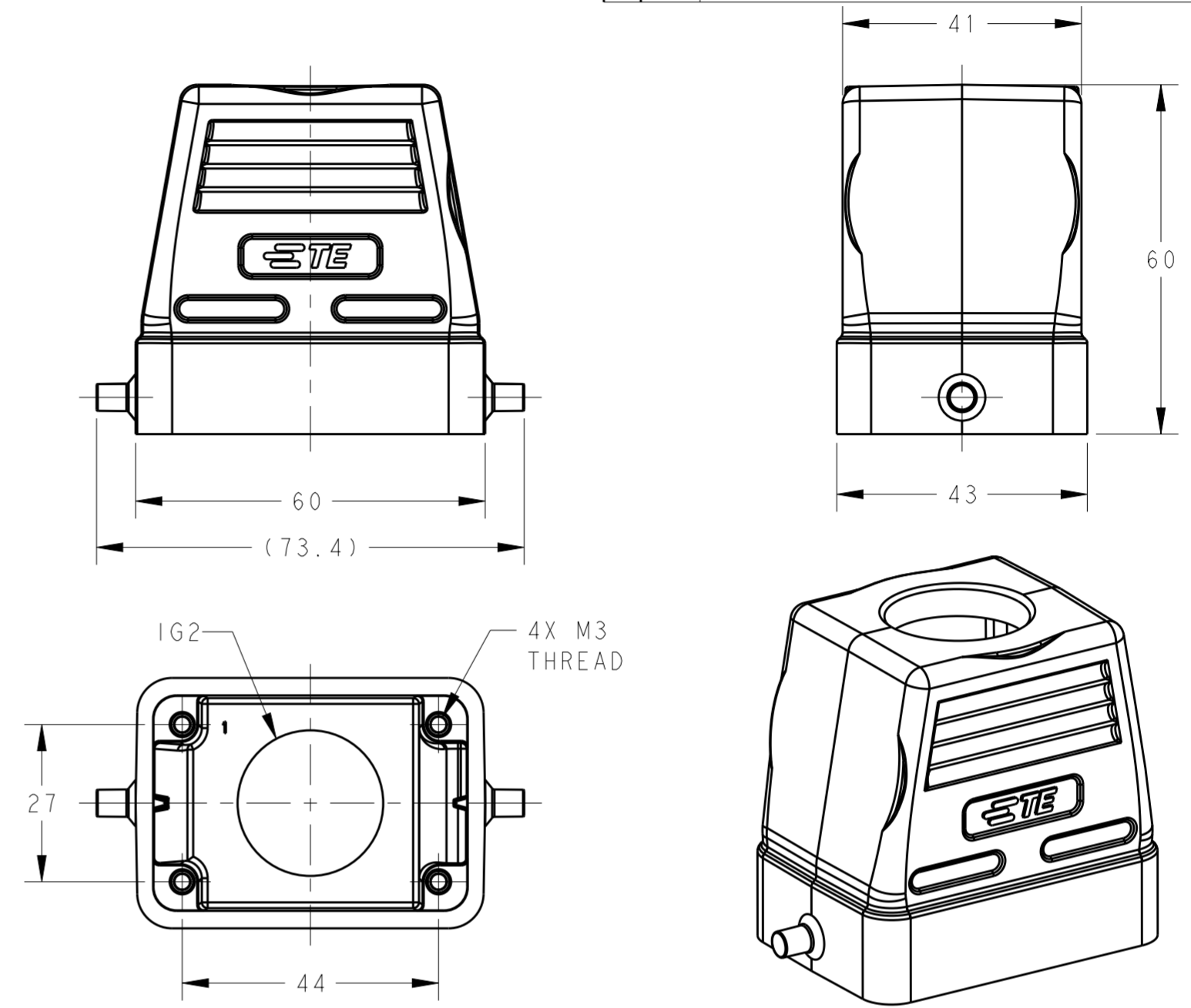
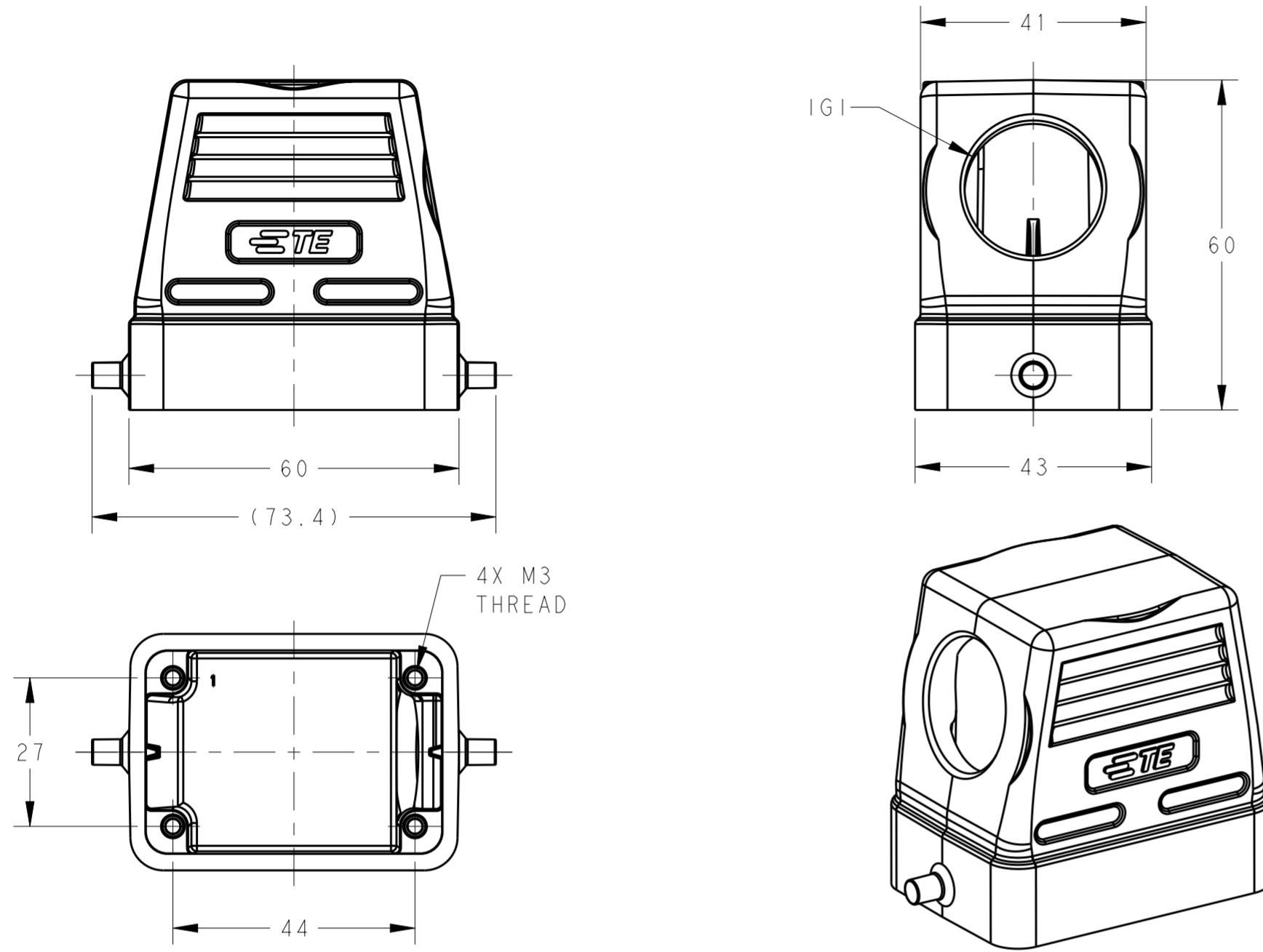


THIS DRAWING IS UNPUBLISHED. RELEASED FOR PUBLICATION 20  
 © COPYRIGHT 20 BY - ALL RIGHTS RESERVED.

| REVISIONS |     |               |           |       |
|-----------|-----|---------------|-----------|-------|
| P         | LTR | DESCRIPTION   | DATE      | APVD  |
| A         |     | INITIAL       | 05JUN2015 | DW CW |
| A1        |     | ECR-18-010109 | 09JUL2018 | CD CW |

TYPE 1: LOW CONSTRUCTION, SIDE ENTRY  
 类型1: 低结构 侧出

TYPE 2: LOW CONSTRUCTION, TOP ENTRY  
 类型2: 低结构, 顶出



NOTES:  
 1. TECHNICAL CHARACTERISTICS:  
 HOOD MATERIAL: DIE CAST ALUMINIUM ALLOY  
 SURFACE: POWDER COATED, GREY  
 DEGREE OF PROTECTION: IP65 (MATED)

注释:  
 1. 技术参数:  
 上壳材料: 铝合金  
 表面处理: 粉末涂层, 灰色  
 防护等级: IP65 (配合)

| ASSEMBLY PART NUMBER<br>成品料号 | ASSEMBLY PART DESCRIPTION<br>成品描述               | IG1    | IG2    | TYPE   |
|------------------------------|---|--------|--------|--------|
| T1310060105-000              | H6B-TS-G1/2<br>H6B 上壳, 侧出 G1/2, 2 耳, 灰色粉末喷涂     | G1/2   | -      | TYPE 1 |
| T1310060111-000              | H6B-TS-PG11<br>H6B 上壳, 侧出 PG11, 2 耳, 灰色粉末喷涂     | PG11   | -      |        |
| T1310060113-000              | H6B-TS-PG13.5<br>H6B 上壳, 侧出 PG13.5, 2 耳, 灰色粉末喷涂 | PG13.5 | -      |        |
| T1310060116-000              | H6B-TS-PG16<br>H6B 上壳, 侧出 PG16, 2 耳, 灰色粉末喷涂     | PG16   | -      |        |
| T1310060120-000              | H6B-TS-M20<br>H6B 上壳, 侧出 M20, 2 耳, 灰色粉末喷涂       | M20    | -      |        |
| T1310060121-000              | H6B-TS-PG21<br>H6B 上壳, 侧出 PG21, 2 耳, 灰色粉末喷涂     | PG21   | -      |        |
| T1310060125-000              | H6B-TS-M25<br>H6B 上壳, 侧出 M25, 2 耳, 灰色粉末喷涂       | M25    | -      | TYPE 2 |
| T1320060113-000              | H6B-TG-PG13.5<br>H6B 上壳, 顶出 PG13.5, 2 耳, 灰色粉末喷涂 | -      | PG13.5 |        |
| T1320060116-000              | H6B-TG-PG16<br>H6B 上壳, 顶出 PG16, 2 耳, 灰色粉末喷涂     | -      | PG16   |        |
| T1320060120-000              | H6B-TG-M20<br>H6B 上壳, 顶出 M20, 2 耳, 灰色粉末喷涂       | -      | M20    |        |
| T1320060121-000              | H6B-TG-PG21<br>H6B 上壳, 顶出 PG21, 2 耳, 灰色粉末喷涂     | -      | PG21   |        |
| T1320060125-000              | H6B-TG-M25<br>H6B 上壳, 顶出 M25, 2 耳, 灰色粉末喷涂       | -      | M25    |        |
| T1320060132-000              | H6B-TG-M32<br>H6B 上壳, 顶出 M32, 2 耳, 灰色粉末喷涂       | -      | M32    |        |

|  |  |                             |   |  |
|--|--|-----------------------------|---|--|
| THIS DRAWING IS A CONTROLLED DOCUMENT. |  | DWN David Wang 05JUN2015    | <b>STE</b> TE Connectivity              |  |
|  |  | CHK Chris Wang 05JUN2015    |   |  |
|  |  | APVD Xiang Xu 05JUN2015     | NAME H6B-TS/TG/TSH/TGH-M/PG             |  |
| DIMENSIONS: mm                         |  | PRODUCT SPEC 108-137013     | SIZE CAGE CODE DRAWING NO RESTRICTED TO |  |
| TOLERANCES UNLESS OTHERWISE SPECIFIED: |  | APPLICATION SPEC 114-137013 | A200779 C-T13X00601XX000                |  |
| MATERIAL                               |  | WEIGHT                      | SCALE 1:1 SHEET 1 OF 2 REV A1           |  |
|  |  | Customer Drawing            |   |  |

4

3

2

1

THIS DRAWING IS UNPUBLISHED. RELEASED FOR PUBLICATION 20  
 © COPYRIGHT 20 BY - ALL RIGHTS RESERVED.

REVISIONS

| P | LTR | DESCRIPTION | DATE | DWN | APVD |
|---|-----|-------------|------|-----|------|
| - |     | SEE SHEET 1 | -    | -   | -    |

TYPE 3: HIGH CONSTRUCTION, SIDE ENTRY  
 类型3: 高结构, 侧出

TYPE 4: HIGH CONSTRUCTION, TOP ENTRY  
 类型4: 高结构, 顶出

SCALE 1:2

SCALE 1:2

NOTES:  
 SEE SHEET 1  
 备注:  
 见表格 1

|                              |                |  |        |        |       |
|------------------------------|----------------|--|--------|--------|-------|
| T1330060106-000              | H6B-TSH-M16    | H6B HOOD, SIDE ENTRY M16, 2 EAR, HIGH CONSTRUCTION, POWDER COATED, GREY<br>H6B上壳, 侧出M16, 2耳, 高结构, 灰色粉末喷涂       | M16    | -      | TYPE3 |
| T1330060113-000              | H6B-TSH-PG13.5 | H6B HOOD, SIDE ENTRY PG13.5, 2 EAR, HIGH CONSTRUCTION, POWDER COATED, GREY<br>H6B上壳, 侧出PG13.5, 2耳, 高结构, 灰色粉末喷涂 | PG13.5 | -      |       |
| T1330060116-000              | H6B-TSH-PG16   | H6B HOOD, SIDE ENTRY PG16, 2 EAR, HIGH CONSTRUCTION, POWDER COATED, GREY<br>H6B上壳, 侧出PG16, 2耳, 高结构, 灰色粉末喷涂     | PG16   | -      |       |
| T1330060120-000              | H6B-TSH-M20    | H6B HOOD, SIDE ENTRY M20, 2 EAR, HIGH CONSTRUCTION, POWDER COATED, GREY<br>H6B上壳, 侧出M20, 2耳, 高结构, 灰色粉末喷涂       | M20    | -      |       |
| T1330060121-000              | H6B-TSH-PG21   | H6B HOOD, SIDE ENTRY PG21, 2 EAR, HIGH CONSTRUCTION, POWDER COATED, GREY<br>H6B上壳, 侧出PG21, 2耳, 高结构, 灰色粉末喷涂     | PG21   | -      |       |
| T1330060125-000              | H6B-TSH-M25    | H6B HOOD, SIDE ENTRY M25, 2 EAR, HIGH CONSTRUCTION, POWDER COATED, GREY<br>H6B上壳, 侧出M25, 2耳, 高结构, 灰色粉末喷涂       | M25    | -      |       |
| T1330060129-000              | H6B-TSH-PG29   | H6B HOOD, SIDE ENTRY PG29, 2 EAR, HIGH CONSTRUCTION, POWDER COATED, GREY<br>H6B上壳, 侧出PG29, 2耳, 高结构, 灰色粉末喷涂     | PG29   | -      |       |
| T1330060132-000              | H6B-TSH-M32    | H6B HOOD, SIDE ENTRY M32, 2 EAR, HIGH CONSTRUCTION, POWDER COATED, GREY<br>H6B上壳, 侧出M32, 2耳, 高结构, 灰色粉末喷涂       | M32    | -      |       |
| T1340060120-000              | H6B-TGH-M20    | H6B HOOD, TOP ENTRY M20, 2 EAR, HIGH CONSTRUCTION, POWDER COATED, GREY<br>H6B上壳, 顶出M20, 2耳, 高结构, 灰色粉末喷涂        | -      | M20    |       |
| T1340060121-000              | H6B-TGH-PG21   | H6B HOOD, TOP ENTRY PG21, 2 EAR, HIGH CONSTRUCTION, POWDER COATED, GREY<br>H6B上壳, 顶出PG21, 2耳, 高结构, 灰色粉末喷涂      | -      | PG21   |       |
| T1340060125-000              | H6B-TGH-M25    | H6B HOOD, TOP ENTRY M25, 2 EAR, HIGH CONSTRUCTION, POWDER COATED, GREY<br>H6B上壳, 顶出M25, 2耳, 高结构, 灰色粉末喷涂        | -      | M25    |       |
| T1340060129-000              | H6B-TGH-PG29   | H6B HOOD, TOP ENTRY PG29, 2 EAR, HIGH CONSTRUCTION, POWDER COATED, GREY<br>H6B上壳, 顶出PG29, 2耳, 高结构, 灰色粉末喷涂      | -      | PG29   |       |
| T1340060130-000              | H6B-TGH-M30    | H6B HOOD, TOP ENTRY M30, 2 EAR, HIGH CONSTRUCTION, POWDER COATED, GREY<br>H6B上壳, 顶出M30, 2耳, 高结构, 灰色粉末喷涂        | -      | M30    |       |
| T1340060132-000              | H6B-TGH-M32    | H6B HOOD, TOP ENTRY M32, 2 EAR, HIGH CONSTRUCTION, POWDER COATED, GREY<br>H6B上壳, 顶出M32, 2耳, 高结构, 灰色粉末喷涂        | -      | M32    |       |
| T1340067134-000              | H6B-TGH-NPT3/4 | H6B HOOD, TOP ENTRY NPT3/4, 2 EAR, HIGH CONSTRUCTION, POWDER COATED, GREY<br>H6B上壳, 顶出NPT3/4, 2耳, 高结构, 灰色粉末喷涂  | -      | NPT3/4 |       |
| ASSEMBLY PART NUMBER<br>成品料号 |                | ASSEMBLY PART DESCRIPTION<br>成品描述  | IG3    | IG4    | TYPE  |

|   |  |                             |                             |                            |
|---|--|-----------------------------|-----------------------------|----------------------------|
| THIS DRAWING IS A CONTROLLED DOCUMENT.                                      |  | DWN David Wang 05JUN2015    | TE Connectivity             |                            |
| DIMENSIONS: mm  |  | CHK Chris Wang 05JUN2015    |                             |                            |
| TOLERANCES UNLESS OTHERWISE SPECIFIED:                                      |  | APVD Xiang Xu 05JUN2015     | NAME H6B-TS/TG/TSH/TGH-M/PG |                            |
| 0 PLC ±<br>1 PLC ±<br>2 PLC ±<br>3 PLC ±<br>4 PLC ±<br>ANGLES ±<br>FINISH ± |  | PRODUCT SPEC 108-137013     | RESTRICTED TO               |                            |
| MATERIAL -  |  | APPLICATION SPEC 114-137013 | SIZE A200779                | CAGE CODE C-T13X00601XX000 |
|   |  | WEIGHT -                    | DRAWING NO                  | REV A1                     |
|   |  | Customer Drawing            | SCALE 1:1                   | SHEET 2 OF 2               |

1471-9 (3/13)

## X-ON Electronics

Largest Supplier of Electrical and Electronic Components

*Click to view similar products for [Heavy Duty Power Connectors](#) category:*

*Click to view products by [TE Connectivity](#) manufacturer:*

Other Similar products are found below :

[1424439](#) [1424438](#) [09330062652](#) [2-8675P1](#) [605601-1](#) [6340G1](#) [6341G1](#) [6360G1](#) [6373G1](#) [6374g2](#) [6396G1](#) [647757-1](#) [66394-4](#) [6643411-1](#)  
[6646058-2](#) [6646137-1](#) [6646138-1](#) [6646348-1](#) [6646479-1](#) [6646608-1](#) [6646786-1](#) [6646940-1](#) [6651091-1](#) [6651525-1](#) [6651529-1](#) [6651778-1](#)  
[6651788-1](#) [696465-1](#) [696475-1](#) [73000005059](#) [73000005349](#) [73000005642](#) [73080255059](#) [73080965046](#) [765-15-0080A](#) [765-16-0080B](#)  
[789.700-44](#) [789.700-54](#) [80-1010](#) [80-9](#) [827381-1](#) [829992-1](#) [902-77-02113](#) [PL00U-301-10D10](#) [PM103MOOLOO](#) [PM16S1620S32-50](#)  
[PM212MOOLOO](#) [PM309FOOLOO](#) [PM324FOOLCH](#) [PMHPAF11S03](#)