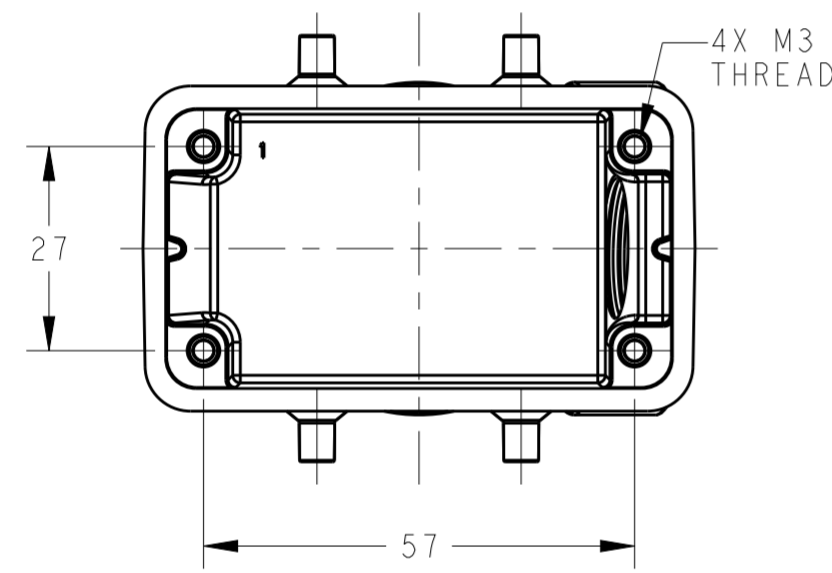
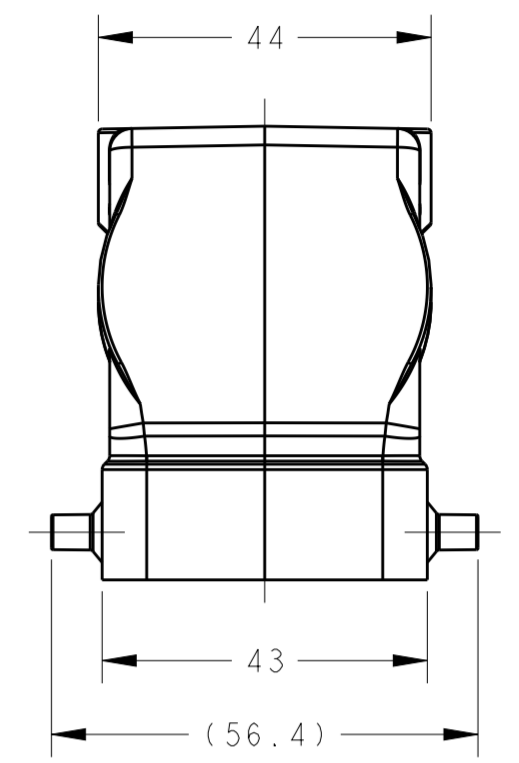
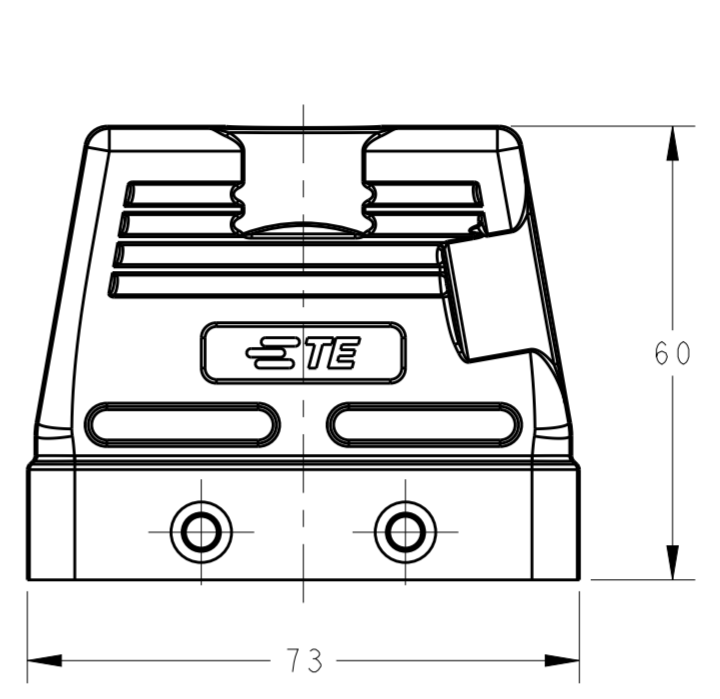
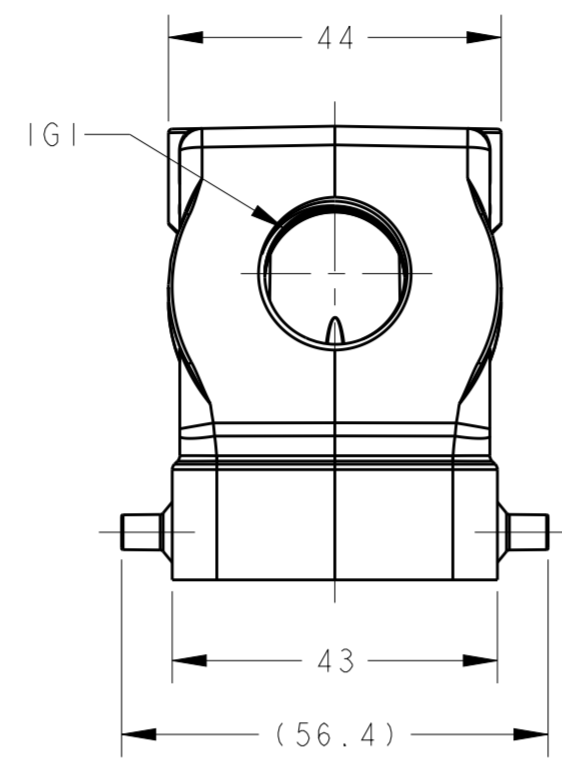
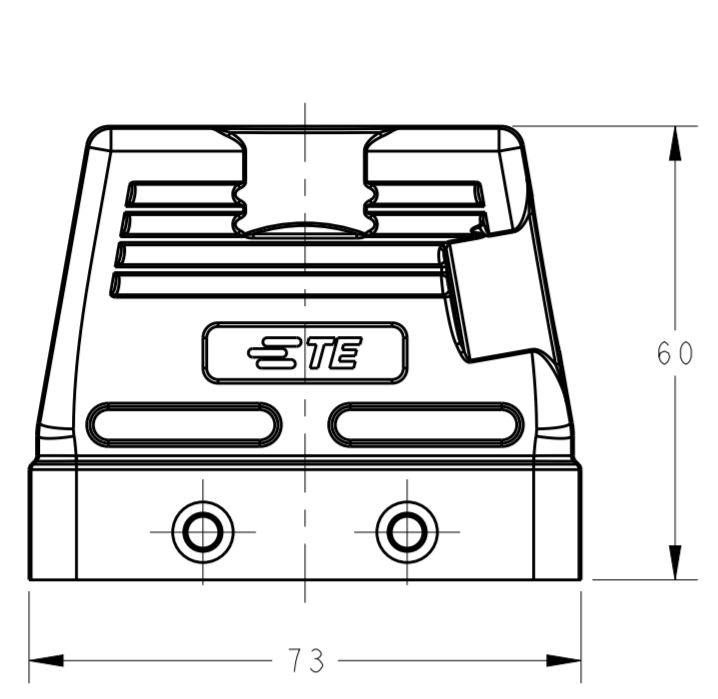
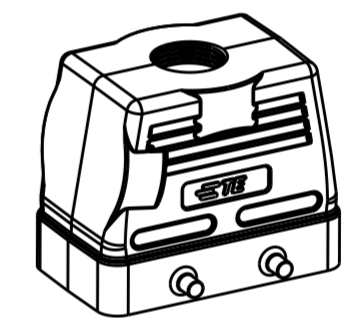
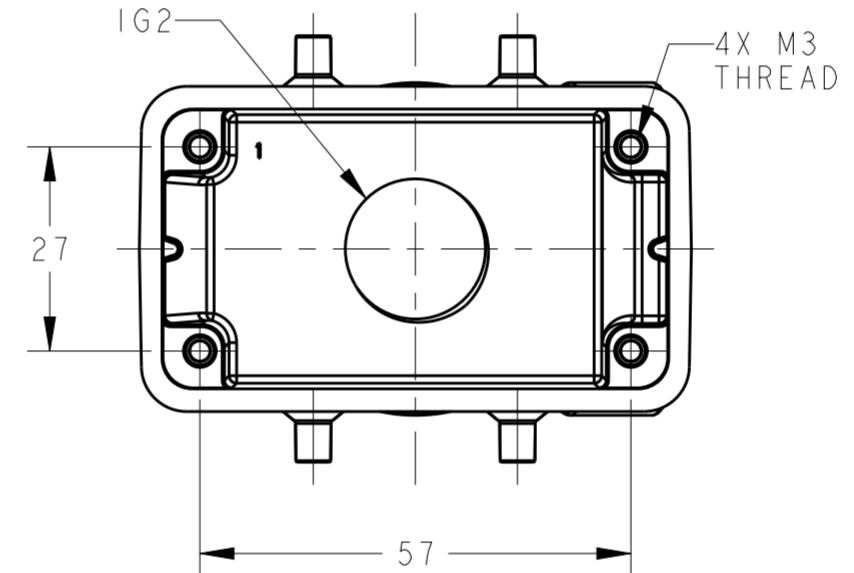


THIS DRAWING IS UNPUBLISHED. RELEASED FOR PUBLICATION 20
 © COPYRIGHT 20 BY - ALL RIGHTS RESERVED.

REVISIONS				
P	LTR	DESCRIPTION	DATE	APVD
	A	INITIAL	10JUN2015	DW CW
	A1	ECR-18-006779	3MAY2018	RG CW



SCALE 1:2



SCALE 1:2

TYPE 1: LOW CONSTRUCTION, SIDE ENTRY

TYPE 2: LOW CONSTRUCTION, TOP ENTRY

NOTES:
 I. TECHNICAL CHARACTERISTICS:
 HOOD MATERIAL: DIE CAST ALUMINIUM ALLOY
 SURFACE: POWDER COATED, GREY
 OPERATION TEMPERATURE: -40-+125°C
 DEGREE OF PROTECTION: IP65 (MATED)

注释:
 I. 技术参数:
 上壳材料: 铝合金
 表面处理: 粉末涂层, 灰色
 工作温度: -40-+125°C
 防护等级: IP65(配合)

PART NUMBER	TYPE	DESCRIPTION	IG1	IG2
T1210100113-000	TYPE 1	H10B-TS-PG13.5 H10B HOOD, SIDE ENTRY PG13.5, 4 EAR, POWDER COATED, GREY H10B上壳, 侧出PG13.5, 4耳, 灰色粉末喷涂	PG13.5	-
T1210100116-000		H10B-TS-PG16 H10B HOOD, SIDE ENTRY PG16, 4 EAR, POWDER COATED, GREY H10B上壳, 侧出PG16, 4耳, 灰色粉末喷涂	PG16	-
T1210100120-000		H10B-TS-M20 H10B HOOD, SIDE ENTRY M20, 4 EAR, POWDER COATED, GREY H10B上壳, 侧出M20, 4耳, 灰色粉末喷涂	M20	-
T1210100121-000		H10B-TS-PG21 H10B HOOD, SIDE ENTRY PG21, 4 EAR, POWDER COATED, GREY H10B上壳, 侧出PG21, 4耳, 灰色粉末喷涂	PG21	-
T1210100125-000		H10B-TS-M25 H10B HOOD, SIDE ENTRY M25, 4 EAR, POWDER COATED, GREY H10B上壳, 侧出M25, 4耳, 灰色粉末喷涂	M25	-
T1210100132-000		H10B-TS-M32 H10B HOOD, SIDE ENTRY M32, 4 EAR, POWDER COATED, GREY H10B上壳, 侧出M32, 4耳, 灰色粉末喷涂	M32	-
T1220100113-000	TYPE 2	H10B-TG-PG13.5 H10B HOOD, TOP ENTRY PG13.5, 4 EAR, POWDER COATED, GREY H10B上壳, 顶出PG13.5, 4耳, 灰色粉末喷涂	-	PG13.5
T1220100116-000		H10B-TG-PG16 H10B HOOD, TOP ENTRY PG16, 4 EAR, POWDER COATED, GREY H10B上壳, 顶出PG16, 4耳, 灰色粉末喷涂	-	PG16
T1220100120-000		H10B-TG-M20 H10B HOOD, TOP ENTRY M20, 4 EAR, POWDER COATED, GREY H10B上壳, 顶出M20, 4耳, 灰色粉末喷涂	-	M20
T1220100121-000		H10B-TG-PG21 H10B HOOD, TOP ENTRY PG21, 4 EAR, POWDER COATED, GREY H10B上壳, 顶出PG21, 4耳, 灰色粉末喷涂	-	PG21
T1220100125-000		H10B-TG-M25 H10B HOOD, TOP ENTRY M25, 4 EAR, POWDER COATED, GREY H10B上壳, 顶出M25, 4耳, 灰色粉末喷涂	-	M25
T1220100132-000		H10B-TG-M32 H10B HOOD, TOP ENTRY M32, 4 EAR, POWDER COATED, GREY H10B上壳, 顶出M32, 4耳, 灰色粉末喷涂	-	M32
T1220100136-000		H10B-TG-M36 H10B HOOD, TOP ENTRY M36, 4 EAR, POWDER COATED, GREY H10B上壳, 顶出M36, 4耳, 灰色粉末喷涂	-	M36

THIS DRAWING IS A CONTROLLED DOCUMENT.

DIMENSIONS: mm	TOLERANCES UNLESS OTHERWISE SPECIFIED:	DWN David Wang 10JUN2015	TE Connectivity
	0 PLC ±	CHK Chris Wang 10JUN2015	
	1 PLC ±	APVD Xiang Xu 10JUN2015	
	2 PLC ±	PRODUCT SPEC	
MATERIAL	FINISH	108-137013	NAME H10B-TS/TG-M/PG
		114-137013	SIZE A2
		Customer Drawing	CAGE CODE 00779
			DRAWING NO. T12X01001XX000
			RESTRICTED TO
			SCALE 1:1 SHEET 1 OF 1 REV A1

X-ON Electronics

Largest Supplier of Electrical and Electronic Components

Click to view similar products for [Heavy Duty Power Connectors](#) category:

Click to view products by [TE Connectivity](#) manufacturer:

Other Similar products are found below :

[1424439](#) [1424438](#) [09330062652](#) [2-8675P1](#) [605601-1](#) [6340G1](#) [6341G1](#) [6360G1](#) [6373G1](#) [6374g2](#) [6396G1](#) [647757-1](#) [66394-4](#) [6643411-1](#)
[6646058-2](#) [6646137-1](#) [6646138-1](#) [6646348-1](#) [6646479-1](#) [6646608-1](#) [6646786-1](#) [6646940-1](#) [6651091-1](#) [6651525-1](#) [6651529-1](#) [6651778-1](#)
[6651788-1](#) [696465-1](#) [696475-1](#) [73000005059](#) [73000005349](#) [73000005642](#) [73080255059](#) [73080965046](#) [765-15-0080A](#) [765-16-0080B](#)
[789.700-44](#) [789.700-54](#) [80-1010](#) [80-9](#) [827381-1](#) [829992-1](#) [902-77-02113](#) [PL00U-301-10D10](#) [PM103MOOLOO](#) [PM16S1620S32-50](#)
[PM212MOOLOO](#) [PM309FOOLOO](#) [PM324FOOLCH](#) [PMHPAF11S03](#)