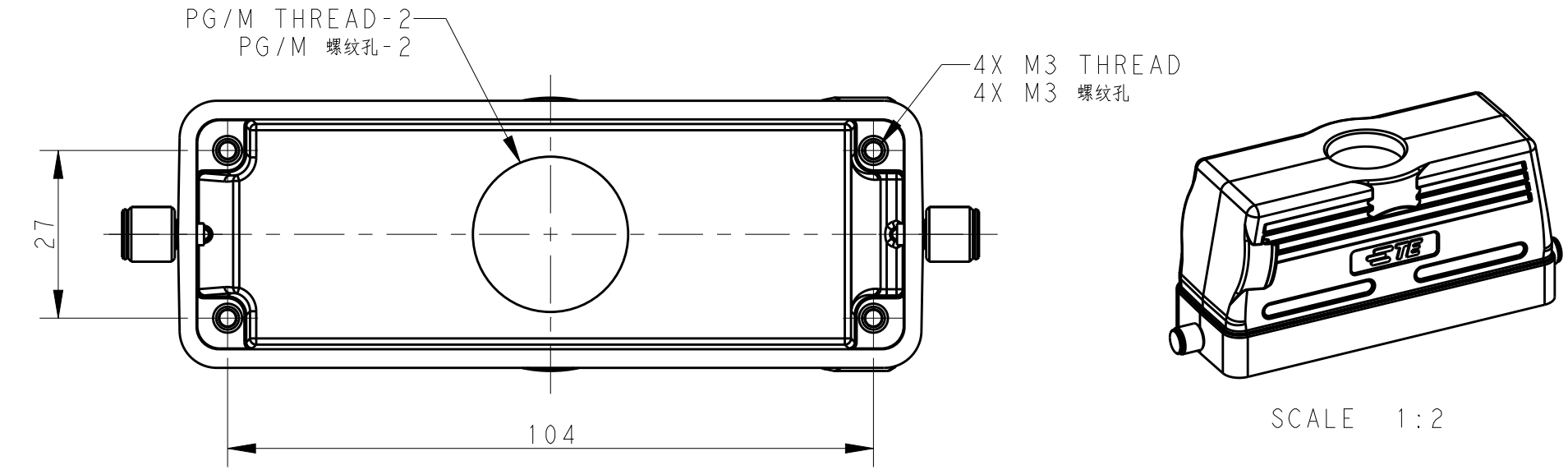
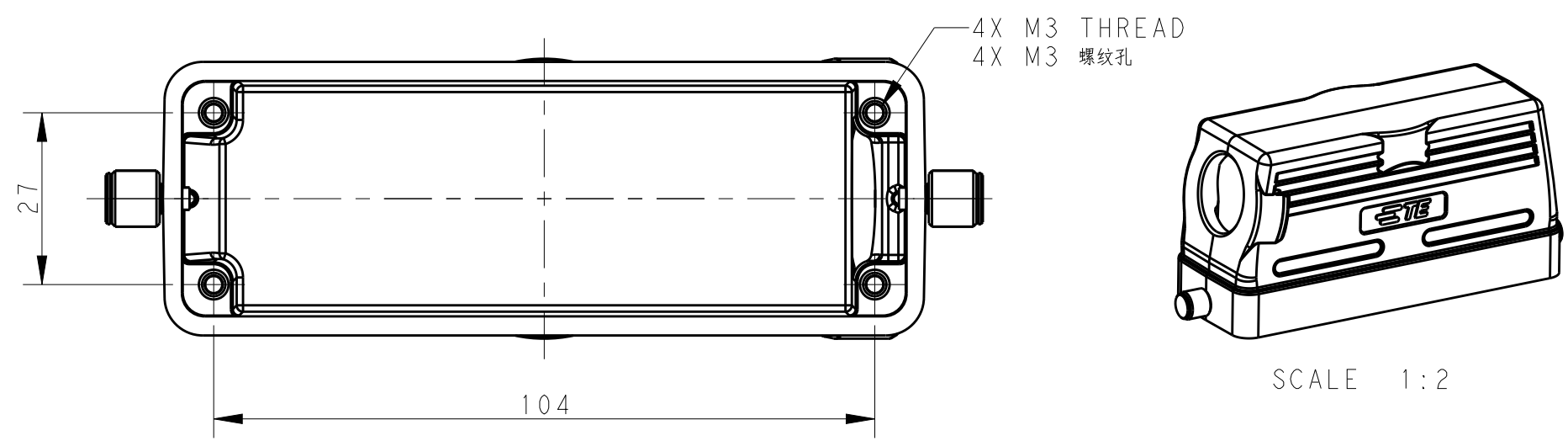
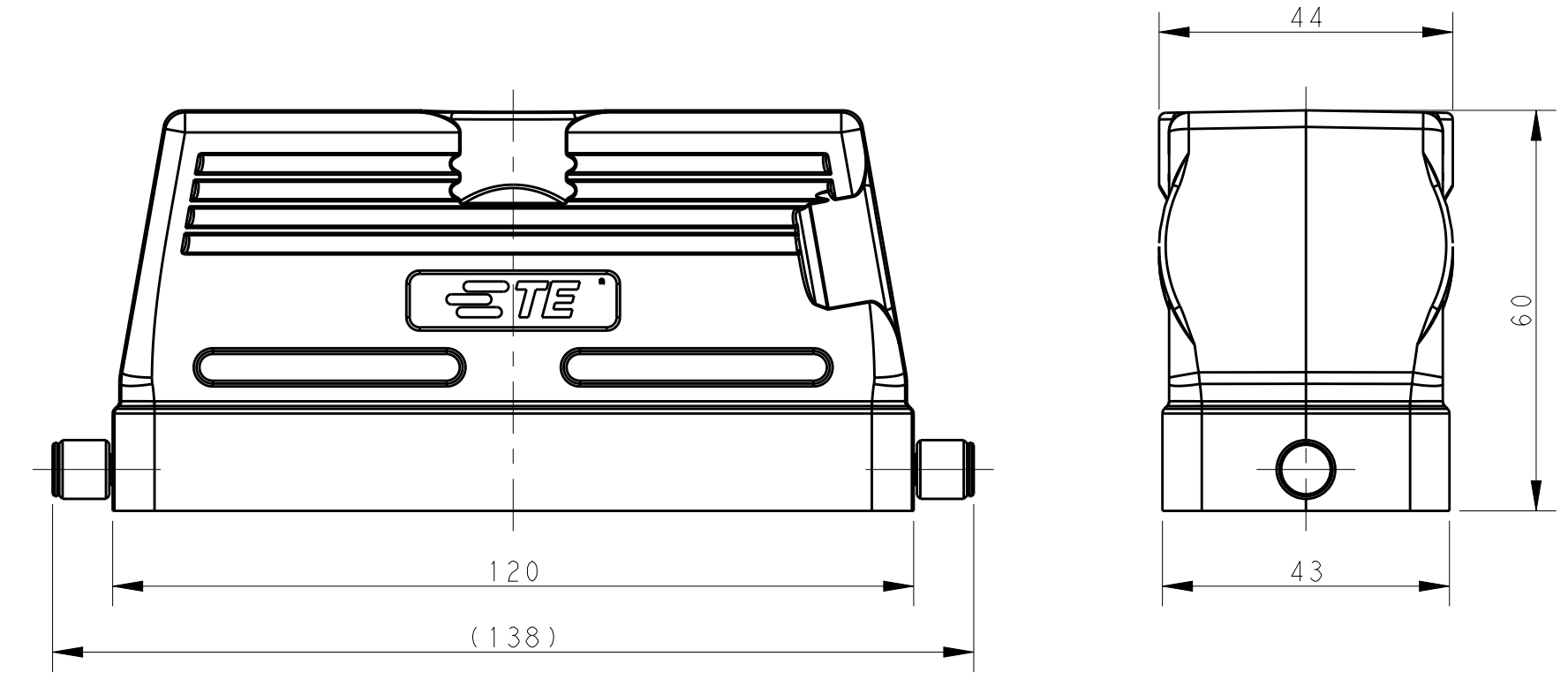
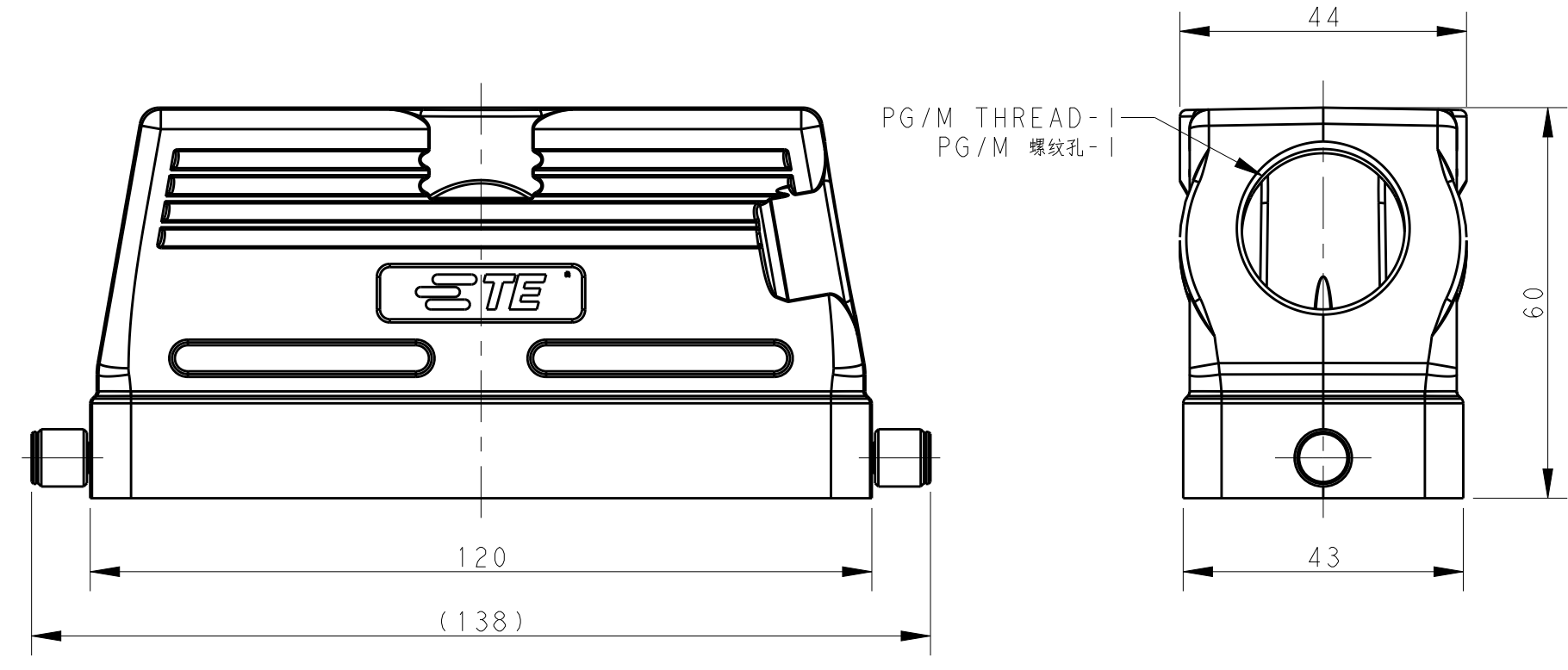


THIS DRAWING IS UNPUBLISHED. RELEASED FOR PUBLICATION 20  
 © COPYRIGHT 20 BY - ALL RIGHTS RESERVED.

REVISIONS					
P	LTR	DESCRIPTION	DATE	DWN	APVD
	A	INITIAL	04JUN2015	DW	CW
	A1	ECR-16-004419	28MAR2016	DW	CW



TYPE 1: LOW CONSTRUCTION, SIDE ENTRY  
 类型1: 低结构, 侧出

TYPE 2: LOW CONSTRUCTION, TOP ENTRY  
 类型2: 低结构, 高出

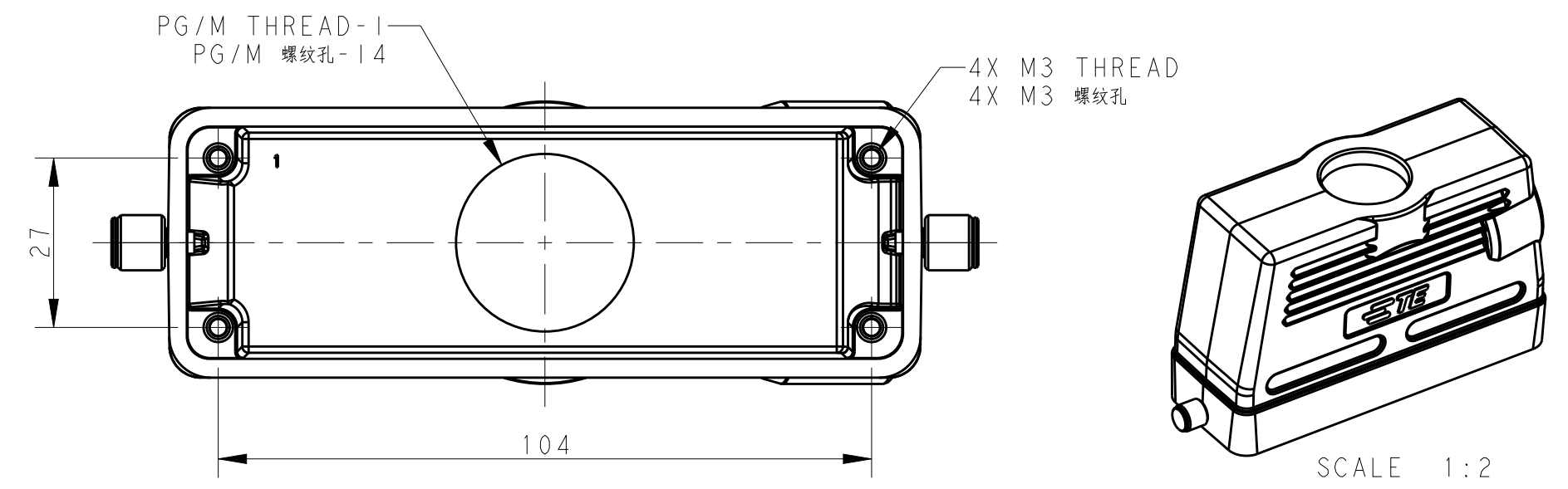
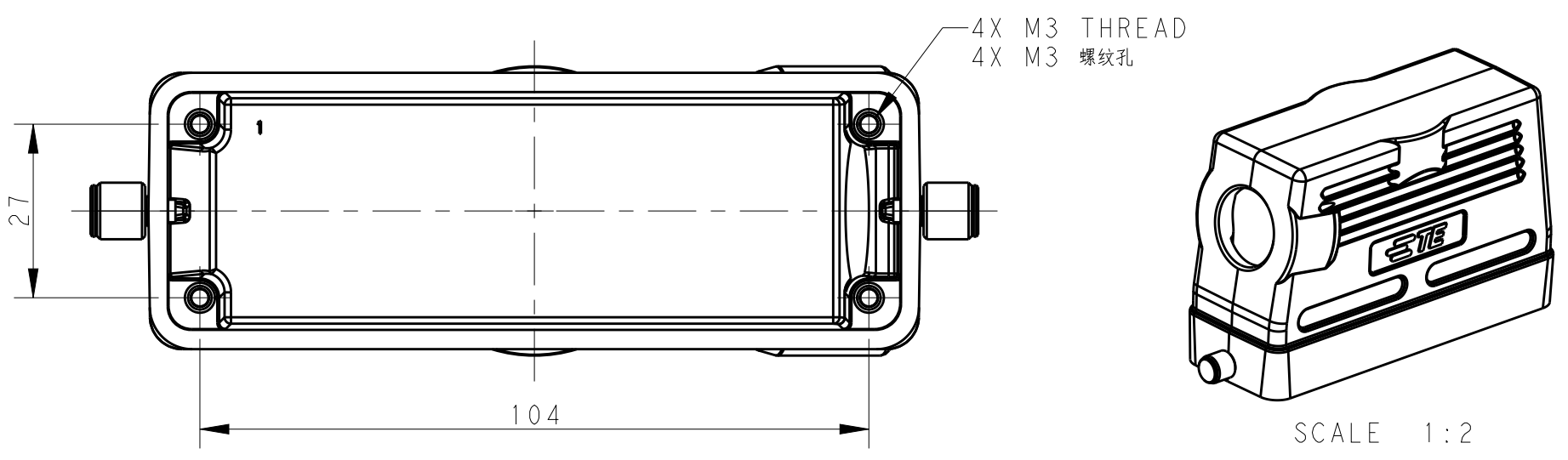
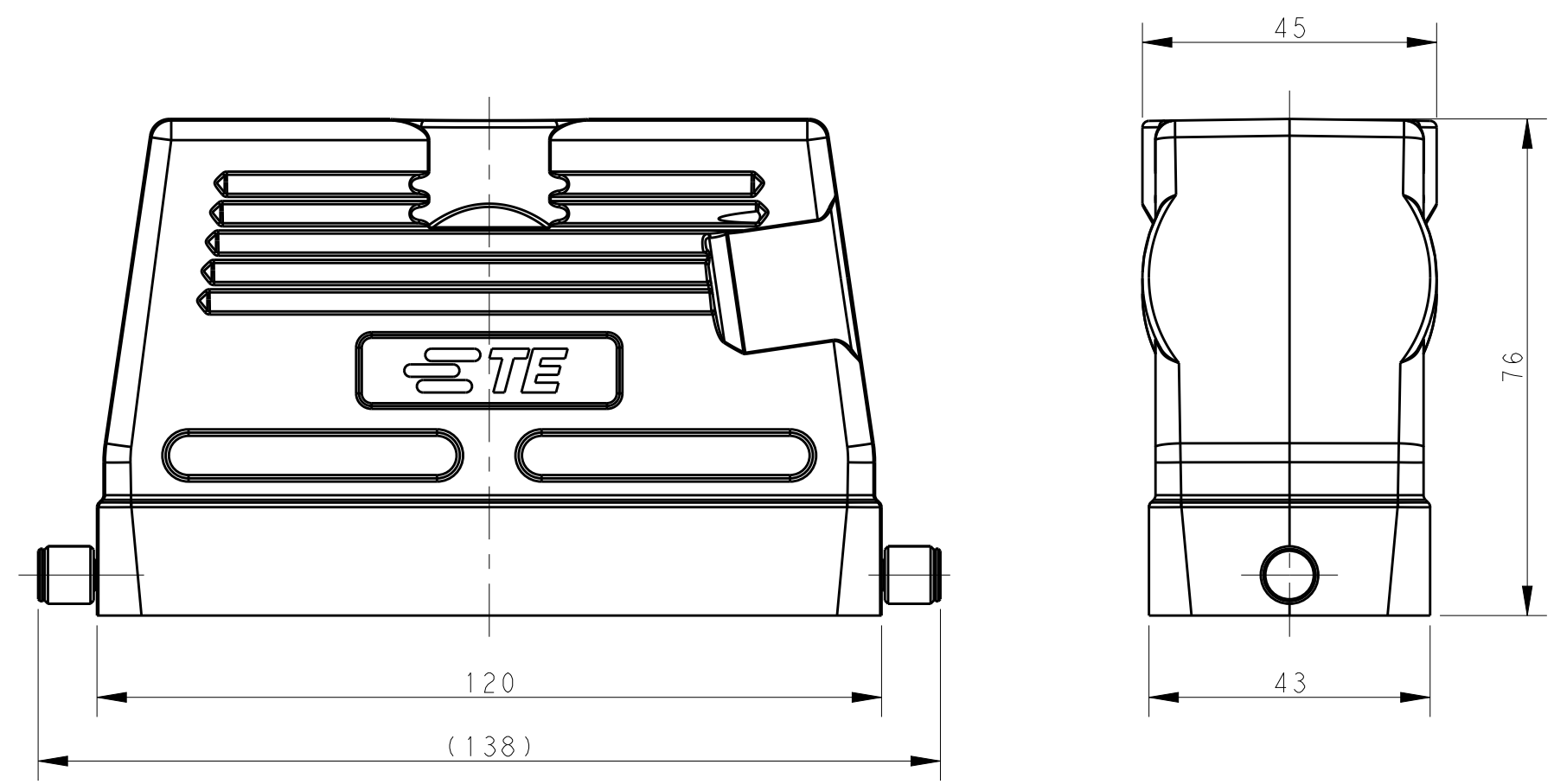
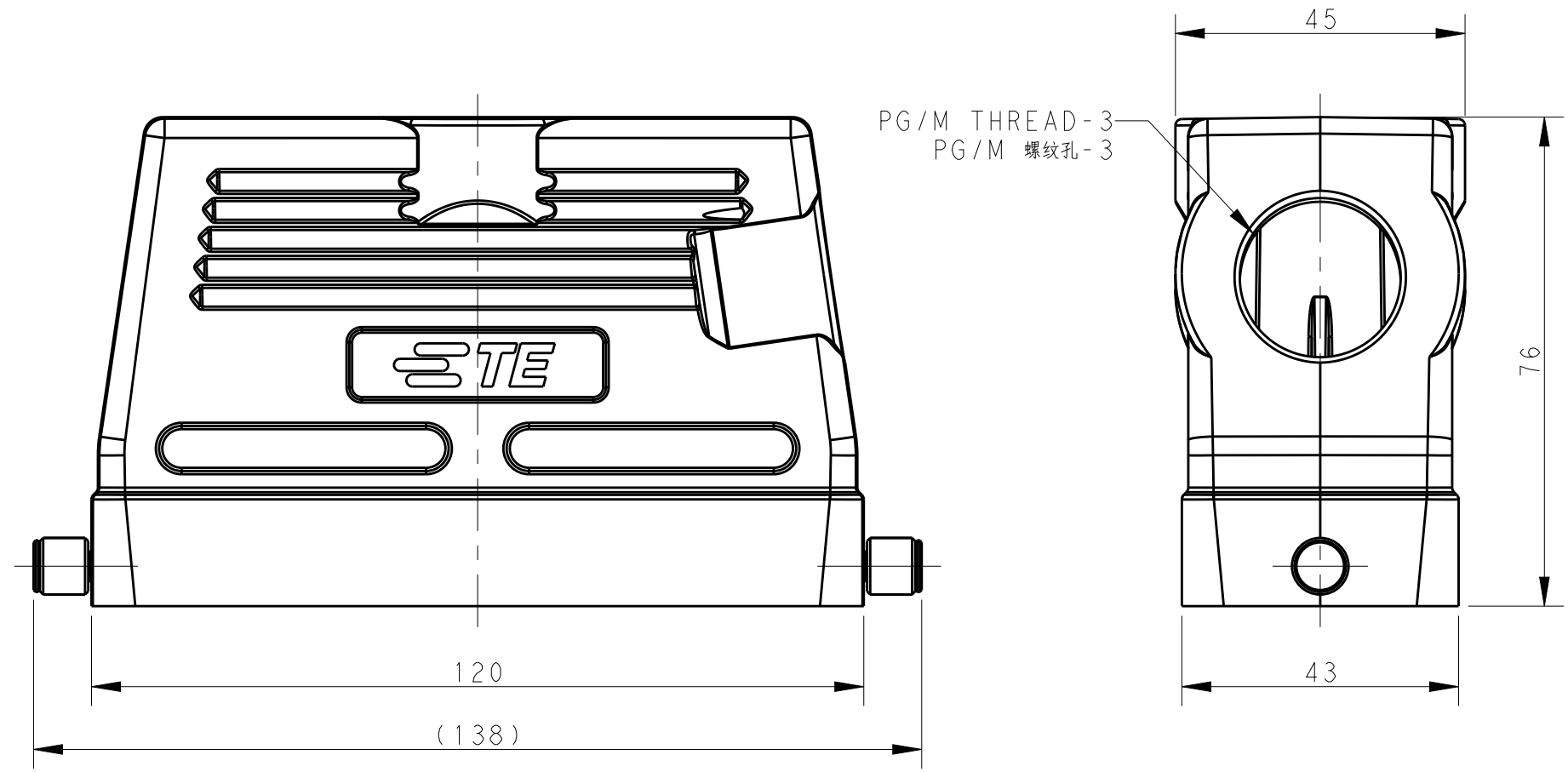
NOTES:  
 I. TECHNICAL CHARACTERISTICS:  
 HOOD MATERIAL: DIE CAST ALUMINIUM ALLOY  
 SURFACE: POWDER COATED, GREY  
 DEGREE OF PROTECTION: IP65 (MATED)

注释:  
 I. 技术参数:  
 上壳材料: 铝合金  
 表面处理: 灰色粉末喷涂  
 防护等级: IP65 (配合)

THIS DRAWING IS A CONTROLLED DOCUMENT.		DWN DAVID WANG 04JUN2015	<b>STE</b> TE Connectivity	
		CHK CHRIS WANG 04JUN2015		
		APVD XIANG XU 04JUN2015	NAME H24B-TS/TG/TSH/TGH-RO-M/PG	
DIMENSIONS: mm		PRODUCT SPEC 108-137013	SIZE CAGE CODE DRAWING NO RESTRICTED TO	
TOLERANCES UNLESS OTHERWISE SPECIFIED:		APPLICATION SPEC 114-137013	A200779 C-T13X02401XX000	
0 PLC ±-		WEIGHT -	SCALE 1:1 SHEET 1 OF 3 REV A1	
1 PLC ±-		CUSTOMER DRAWING		
2 PLC ±-				
3 PLC ±-				
4 PLC ±-				
ANGLES ±-				
FINISH -				

THIS DRAWING IS UNPUBLISHED. RELEASED FOR PUBLICATION 20  
 © COPYRIGHT 20 BY - ALL RIGHTS RESERVED.

REVISIONS				
P	LTR	DESCRIPTION	DATE	APVD
-	-	SEE SHEET 1	-	-



TYPE 3: HIGH CONSTRUCTION, SIDE ENTRY  
 类型3: 高结构, 侧出

TYPE 4: HIGH CONSTRUCTION, TOP ENTRY  
 类型4: 高结构, 顶出

NOTES:  
 SEE SHEET 1

THIS DRAWING IS A CONTROLLED DOCUMENT.		DWN DAVID WANG 04JUN2015	<b>STE</b> TE Connectivity	
DIMENSIONS: mm		CHK CHRIS WANG 04JUN2015		
TOLERANCES UNLESS OTHERWISE SPECIFIED:		APVD XIANG XU 04JUN2015	NAME H24B-TS/TG/TSH/TGH-RO-M/PG	
0 PLC ±	1 PLC ±	PRODUCT SPEC 108-137013	SIZE CAGE CODE DRAWING NO RESTRICTED TO	
2 PLC ±	3 PLC ±	APPLICATION SPEC 114-137013	A200779 C-T13X02401XX000 -	
4 PLC ±	ANGLES ±	WEIGHT -	SCALE 1:1 SHEET 2 OF 3 REV A1	
FINISH -	-	CUSTOMER DRAWING		


THIS DRAWING IS UNPUBLISHED. RELEASED FOR PUBLICATION 20  
 © COPYRIGHT 20 BY - ALL RIGHTS RESERVED.

REVISIONS				
P	LTR	DESCRIPTION	DATE	APVD
-		SEE SHEET 1	-	-

NOTES:  
SEE SHEET 1

PART NUMBER 零件料号	PART DESCRIPTION 零件描述	PG/M THREAD-1 PG/M 螺纹孔-1	PG/M THREAD-2 PG/M 螺纹孔-2	PG/M THREAD-3 PG/M 螺纹孔-3	PG/M THREAD-4 PG/M 螺纹孔-4	TYPE 类型
T1340240121-000	H24B HOOD, TOP ENTRY PG21, 2 EAR, HIGH CONSTRUCTION, POWDER COATED, GREY H24B上壳, 顶出PG21, 2耳, 高结构, 灰色粉末喷涂	-	-	-	PG21	TYPE 4 类型 4
T1340240125-000	H24B HOOD, TOP ENTRY M25, 2 EAR, HIGH CONSTRUCTION, POWDER COATED, GREY H24B上壳, 顶出M25, 2耳, 高结构, 灰色粉末喷涂	-	-	-	M25	
T1340240129-000	H24B HOOD, TOP ENTRY PG29, 2 EAR, HIGH CONSTRUCTION, POWDER COATED, GREY H24B上壳, 顶出PG29, 2耳, 高结构, 灰色粉末喷涂	-	-	-	PG29	
T1340240132-000	H24B HOOD, TOP ENTRY M32, 2 EAR, HIGH CONSTRUCTION, POWDER COATED, GREY H24B上壳, 顶出M32, 2耳, 高结构, 灰色粉末喷涂	-	-	-	M32	
T1340240140-000	H24B HOOD, TOP ENTRY M40, 2 EAR, HIGH CONSTRUCTION, POWDER COATED, GREY H24B上壳, 顶出M40, 2耳, 高结构, 灰色粉末喷涂	-	-	-	M40	
T1330240121-000	H24B HOOD, SIDE ENTRY PG21, 2 EAR, HIGH CONSTRUCTION, POWDER COATED, GREY H24B上壳, 侧出PG21, 2耳, 高结构, 灰色粉末喷涂	-	-	PG21	-	TYPE 3 类型 3
T1330240125-000	H24B HOOD, SIDE ENTRY M25, 2 EAR, HIGH CONSTRUCTION, POWDER COATED, GREY H24B上壳, 侧出M25, 2耳, 高结构, 灰色粉末喷涂	-	-	M25	-	
T1330240129-000	H24B HOOD, SIDE ENTRY PG29, 2 EAR, HIGH CONSTRUCTION, POWDER COATED, GREY H24B上壳, 侧出PG29, 2耳, 高结构, 灰色粉末喷涂	-	-	PG29	-	
T1330240132-000	H24B HOOD, SIDE ENTRY M32, 2 EAR, HIGH CONSTRUCTION, POWDER COATED, GREY H24B上壳, 侧出M32, 2耳, 高结构, 灰色粉末喷涂	-	-	M32	-	
T1330240140-000	H24B HOOD, SIDE ENTRY M40, 2 EAR, HIGH CONSTRUCTION, POWDER COATED, GREY H24B上壳, 侧出M40, 2耳, 高结构, 灰色粉末喷涂	-	-	M40	-	
T1320240121-000	H24B HOOD, TOP ENTRY PG21, 2 EAR, POWDER COATED, GREY H24B上壳, 顶出PG21, 2耳, 灰色粉末喷涂	-	PG21	-	-	TYPE 2 类型 2
T1320240125-000	H24B HOOD, TOP ENTRY M25, 2 EAR, POWDER COATED, GREY H24B上壳, 顶出M25, 2耳, 灰色粉末喷涂	-	M25	-	-	
T1320240129-000	H24B HOOD, TOP ENTRY PG29, 2 EAR, POWDER COATED, GREY H24B上壳, 顶出PG29, 2耳, 灰色粉末喷涂	-	PG29	-	-	
T1320240132-000	H24B HOOD, TOP ENTRY M32, 2 EAR, POWDER COATED, GREY H24B上壳, 顶出M32, 2耳, 灰色粉末喷涂	-	M32	-	-	
T1310240121-000	H24B HOOD, SIDE ENTRY PG21, 2 EAR, POWDER COATED, GREY H24B上壳, 侧出PG21, 2耳, 灰色粉末喷涂	PG21	-	-	-	TYPE 1 类型 1
T1310240125-000	H24B HOOD, SIDE ENTRY M25, 2 EAR, POWDER COATED, GREY H24B上壳, 侧出M25, 2耳, 灰色粉末喷涂	M25	-	-	-	
T1310240132-000	H24B HOOD, SIDE ENTRY M32, 2 EAR, POWDER COATED, GREY H24B上壳, 侧出M32, 2耳, 灰色粉末喷涂	M32	-	-	-	

THIS DRAWING IS A CONTROLLED DOCUMENT.

DWN DAVID WANG 04 JUN 2015	 TE Connectivity
CHK CHRIS WANG 04 JUN 2015	
APVD XIANG XU 04 JUN 2015	
NAME H24B-TS/TG/TSH/TGH-RO-M/PG	
DIMENSIONS: mm	PRODUCT SPEC 108-137013
TOLERANCES UNLESS OTHERWISE SPECIFIED: 0 PLC ± 1 PLC ± 2 PLC ± 3 PLC ± 4 PLC ± ANGLES ± FINISH	APPLICATION SPEC 114-137013
MATERIAL	WEIGHT
Customer Drawing	
SIZE A2	CAGE CODE 00779
DRAWING NO. T13X02401XX000	RESTRICTED TO
SCALE 1:1	SHEET 3 OF 3
REV A1	

## X-ON Electronics

Largest Supplier of Electrical and Electronic Components

*Click to view similar products for [Heavy Duty Power Connectors](#) category:*

*Click to view products by [TE Connectivity](#) manufacturer:*

Other Similar products are found below :

[1424439](#) [1424438](#) [09330062652](#) [2-8675P1](#) [605601-1](#) [6340G1](#) [6341G1](#) [6360G1](#) [6373G1](#) [6374g2](#) [6396G1](#) [647757-1](#) [66394-4](#) [6643411-1](#)  
[6646058-2](#) [6646137-1](#) [6646138-1](#) [6646348-1](#) [6646479-1](#) [6646608-1](#) [6646786-1](#) [6646940-1](#) [6651091-1](#) [6651525-1](#) [6651529-1](#) [6651778-1](#)  
[6651788-1](#) [696465-1](#) [696475-1](#) [73000005059](#) [73000005349](#) [73000005642](#) [73080255059](#) [73080965046](#) [765-15-0080A](#) [765-16-0080B](#)  
[789.700-44](#) [789.700-54](#) [80-1010](#) [80-9](#) [827381-1](#) [829992-1](#) [902-77-02113](#) [PL00U-301-10D10](#) [PM103MOOLOO](#) [PM16S1620S32-50](#)  
[PM212MOOLOO](#) [PM309FOOLOO](#) [PM324FOOLCH](#) [PMHPAF11S03](#)