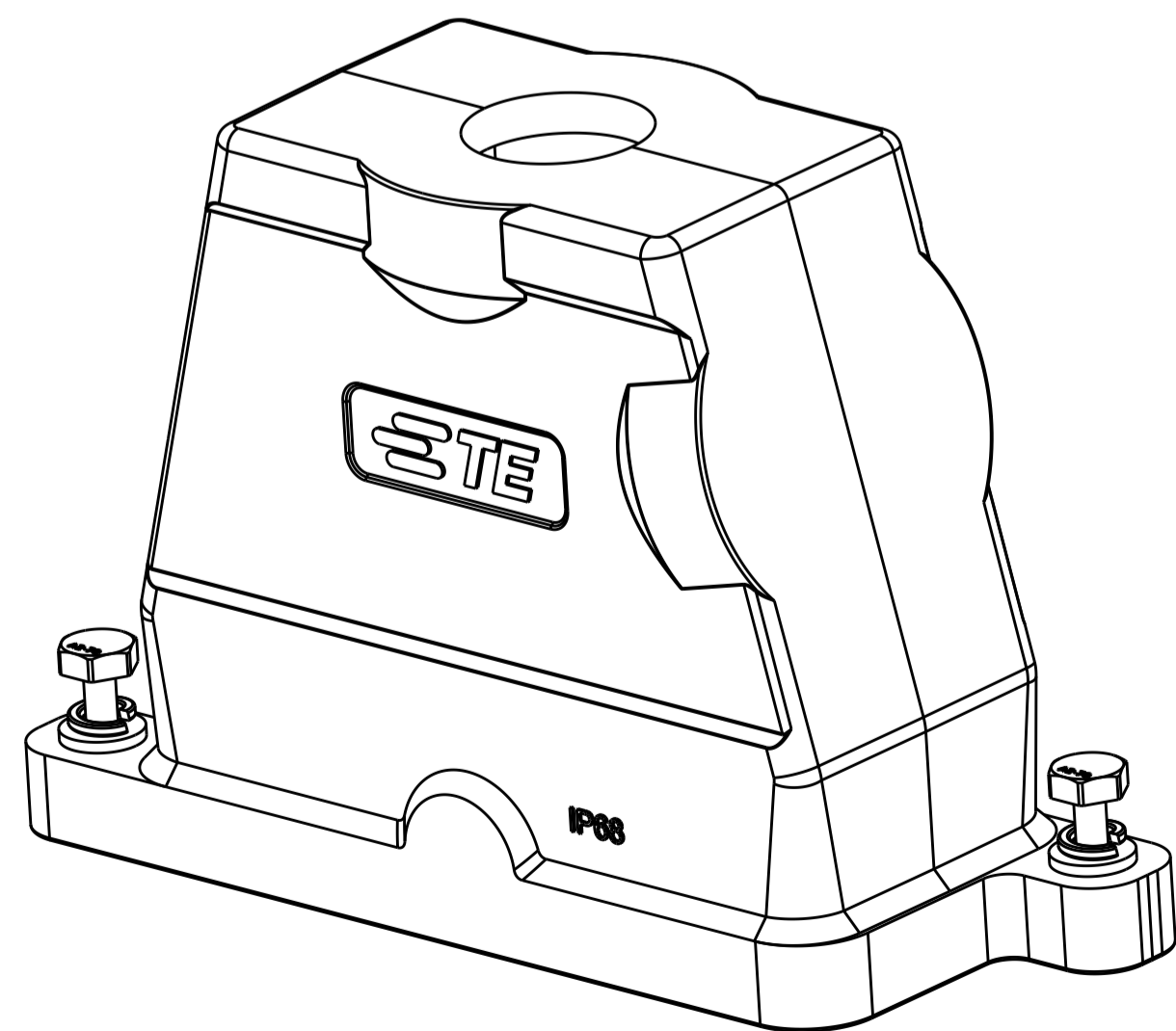
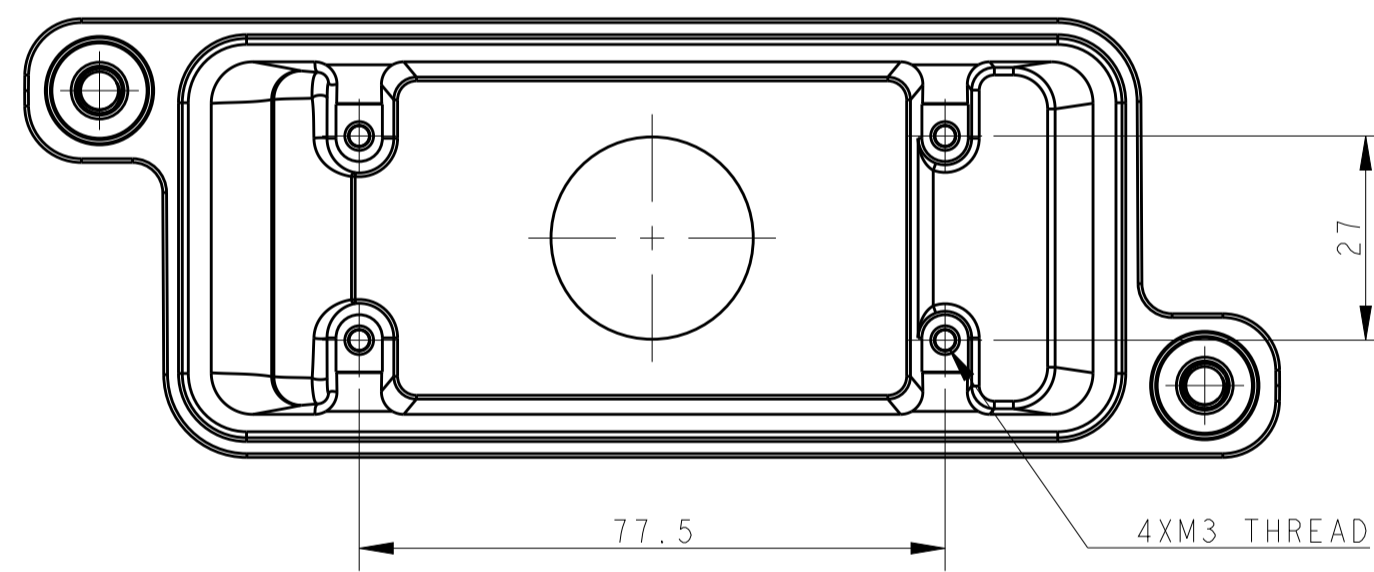
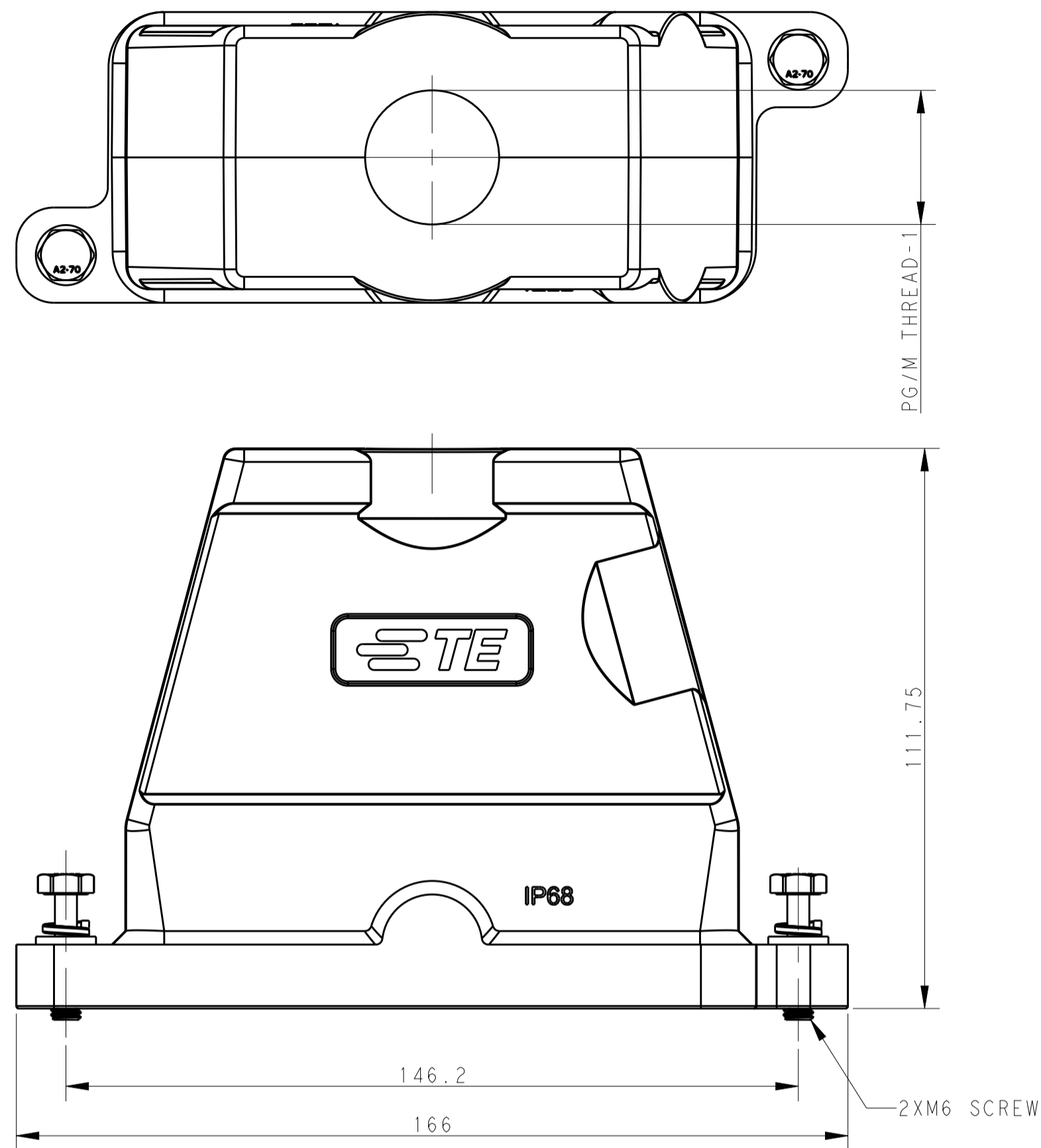


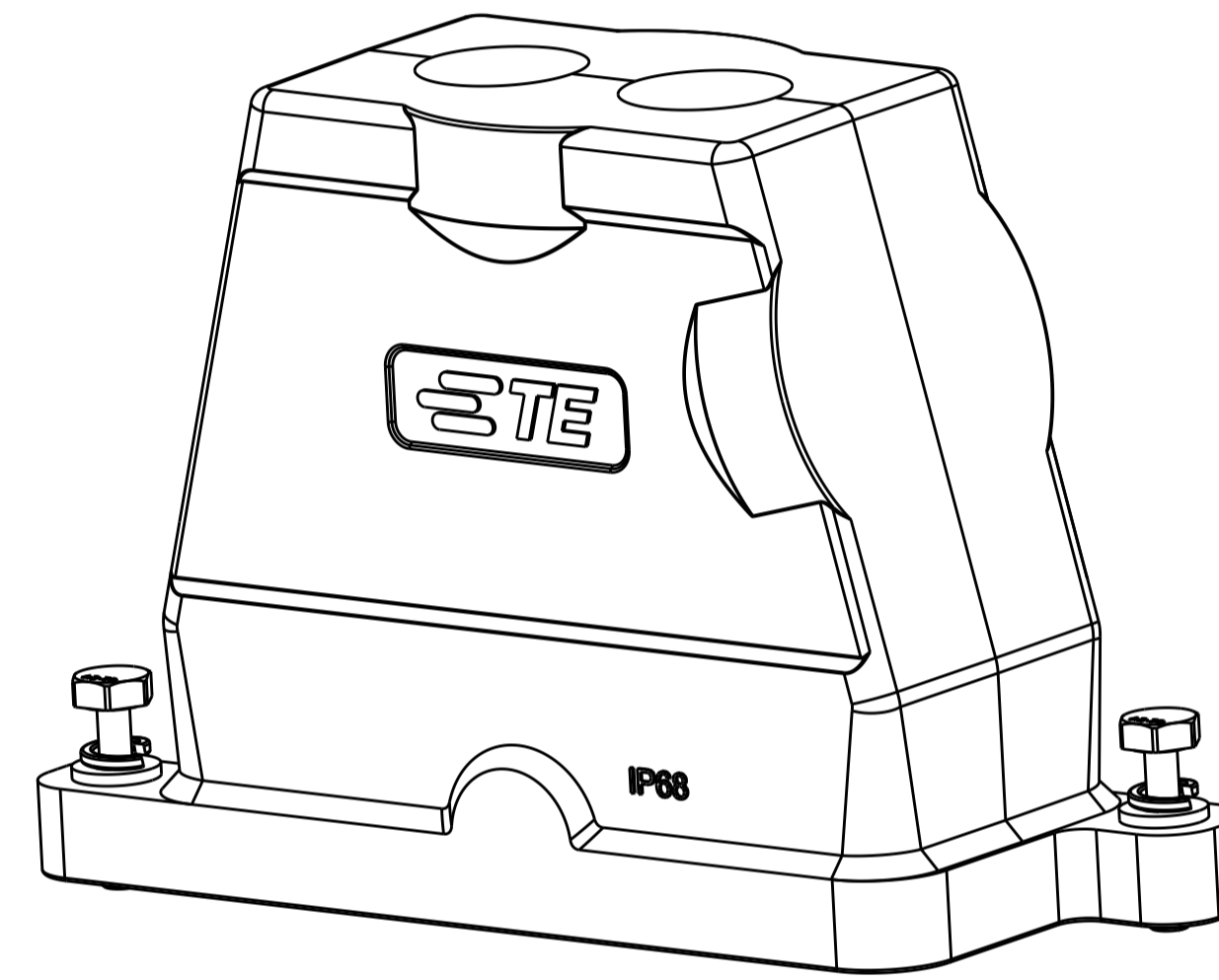
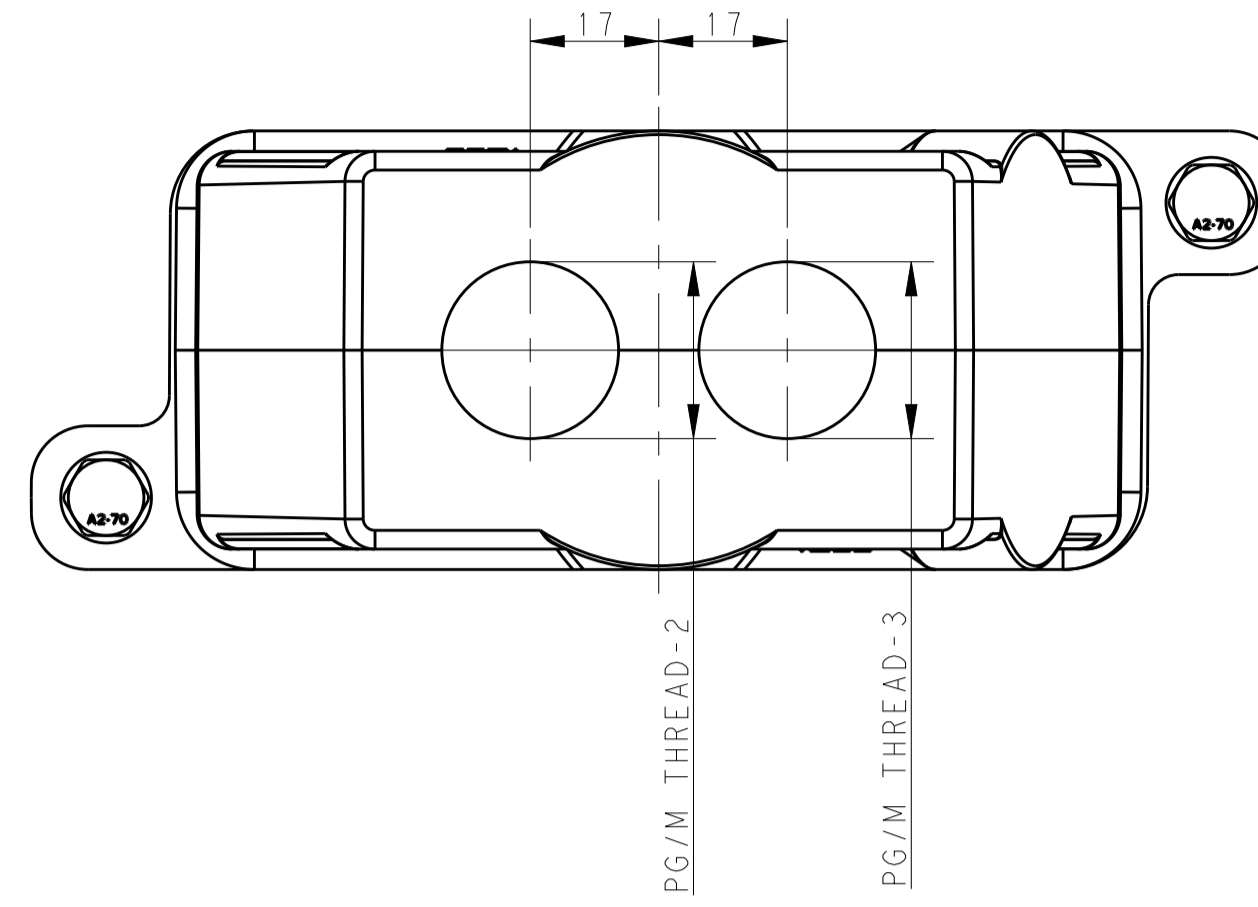
TYPE 1
类型 1

Single PG/M thread: 单个PG/M螺纹孔



TYPE 2
类型 2

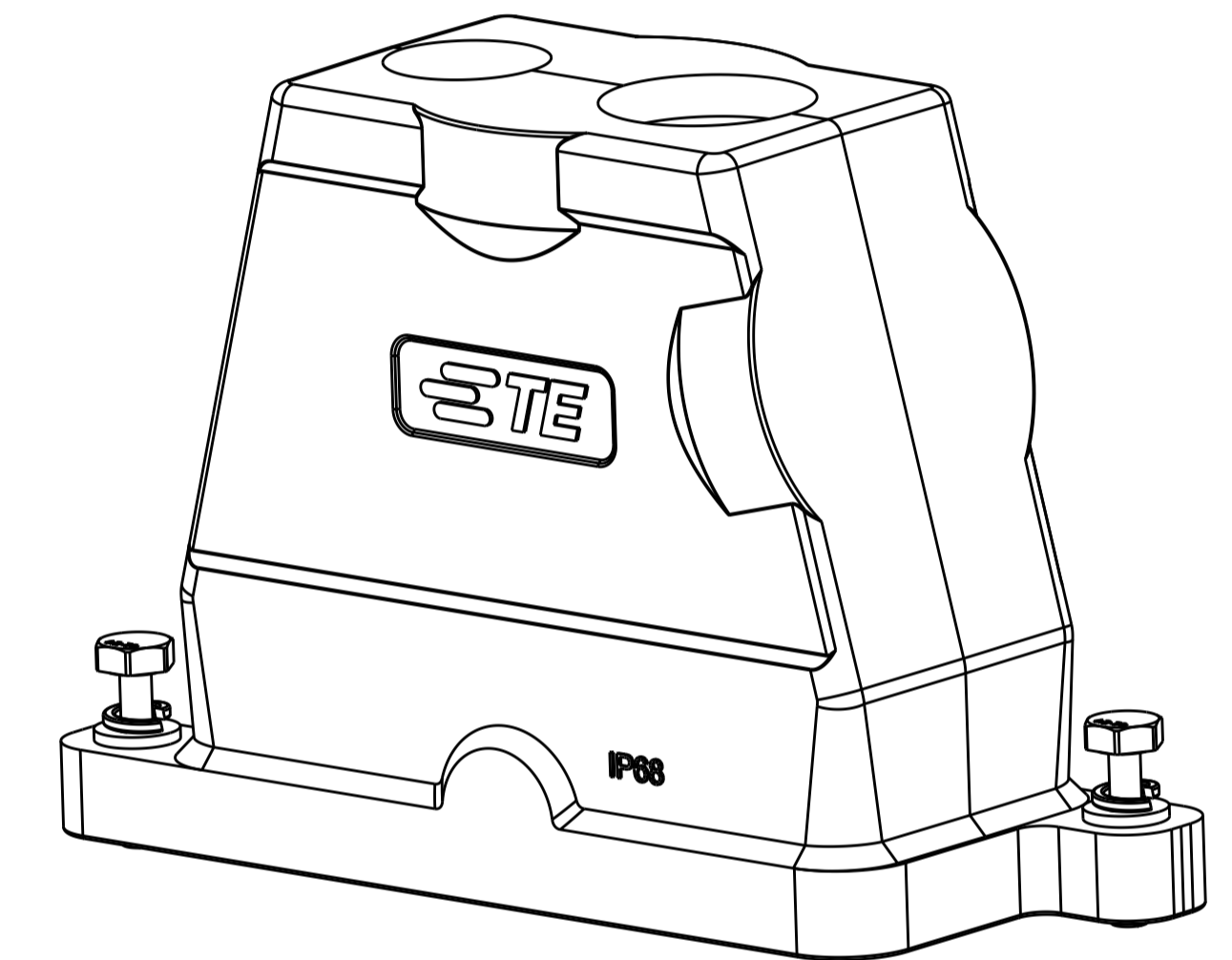
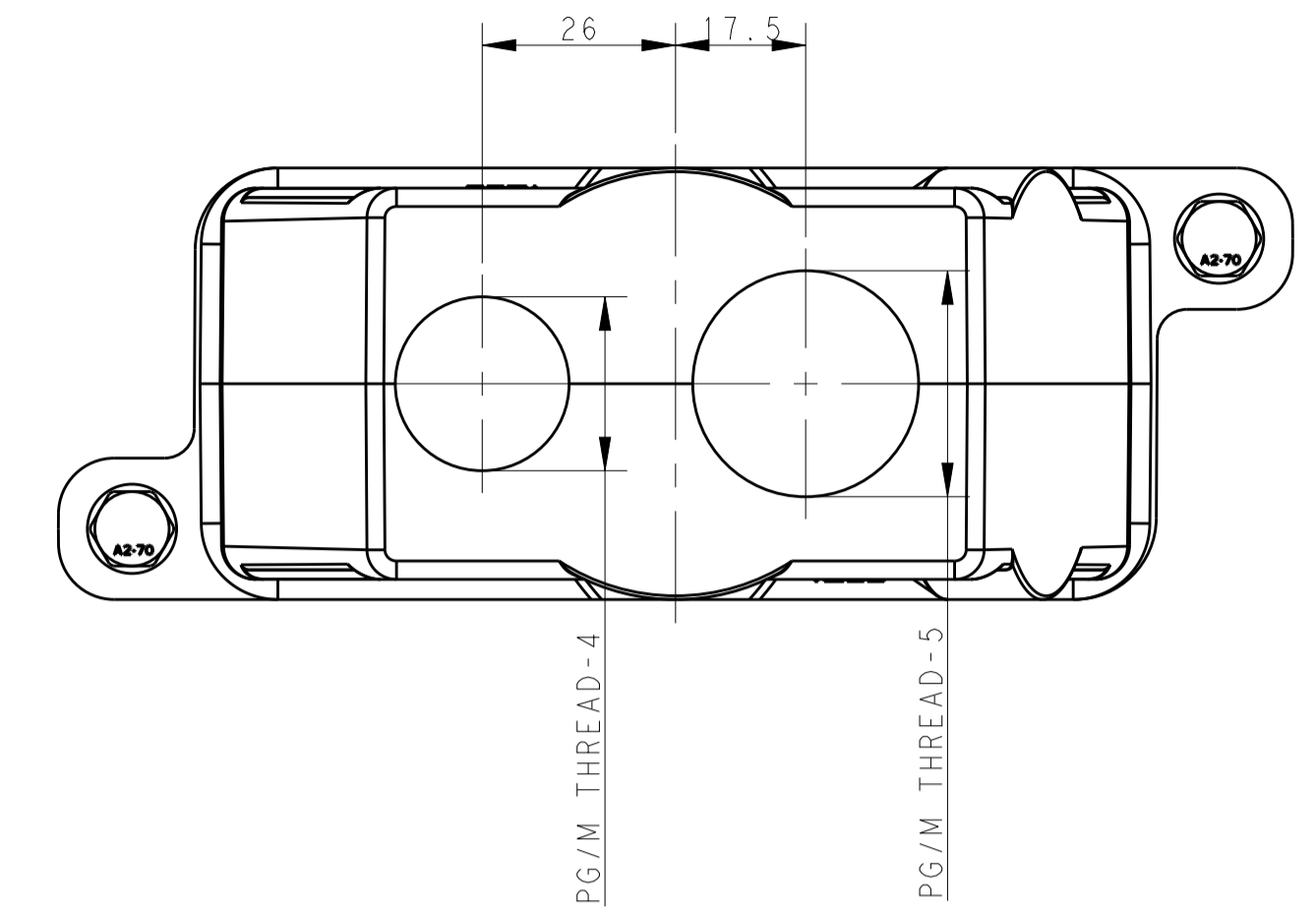
Two PG/M threads: 两个PG/M螺纹孔



All dimension is same as TYPE 1, except those defined in this TYPE
除了在本类型中定义的尺寸外, 其他尺寸同类型 1

TYPE 3
类型 3

Two PG/M threads: 两个PG/M螺纹孔

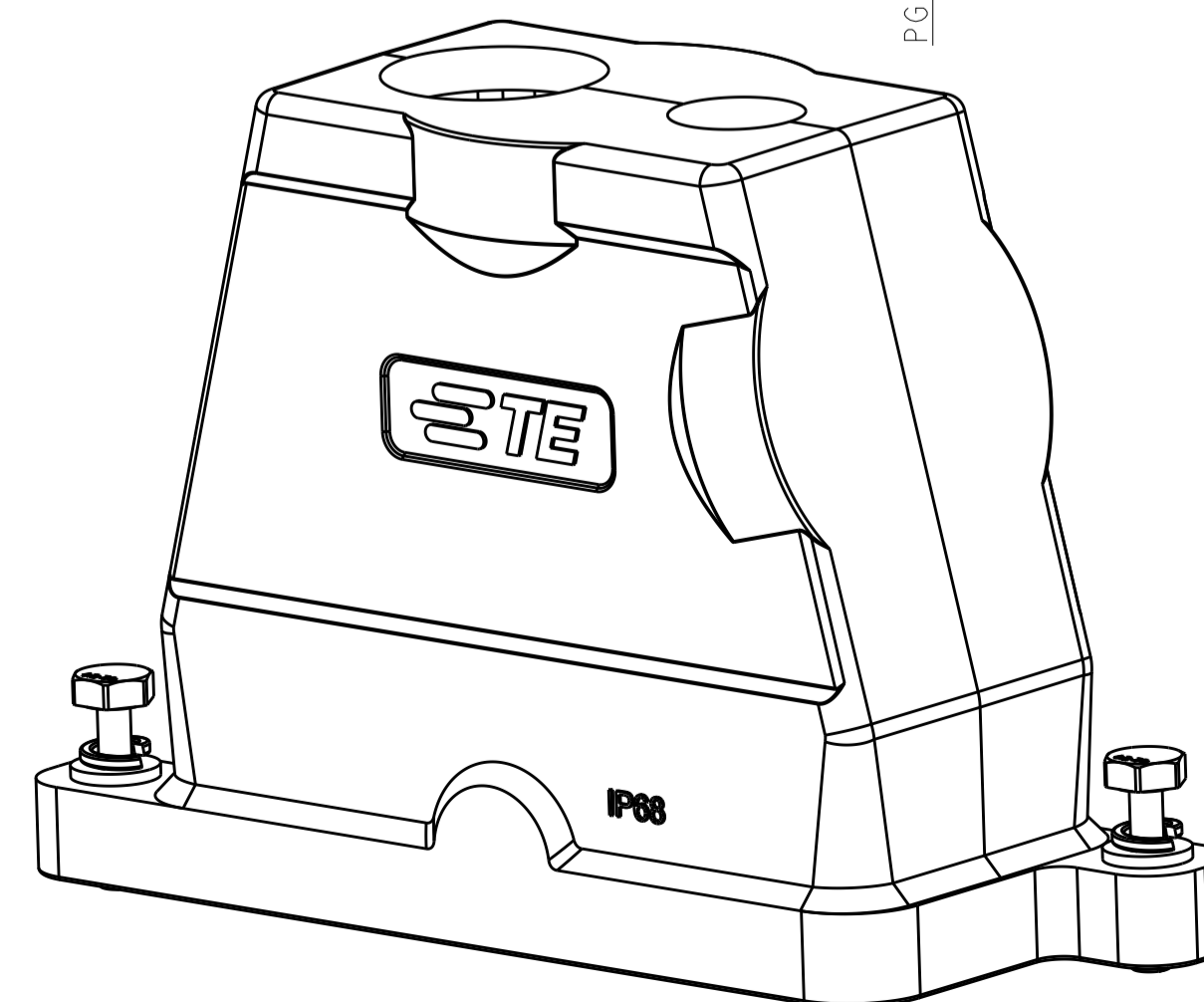
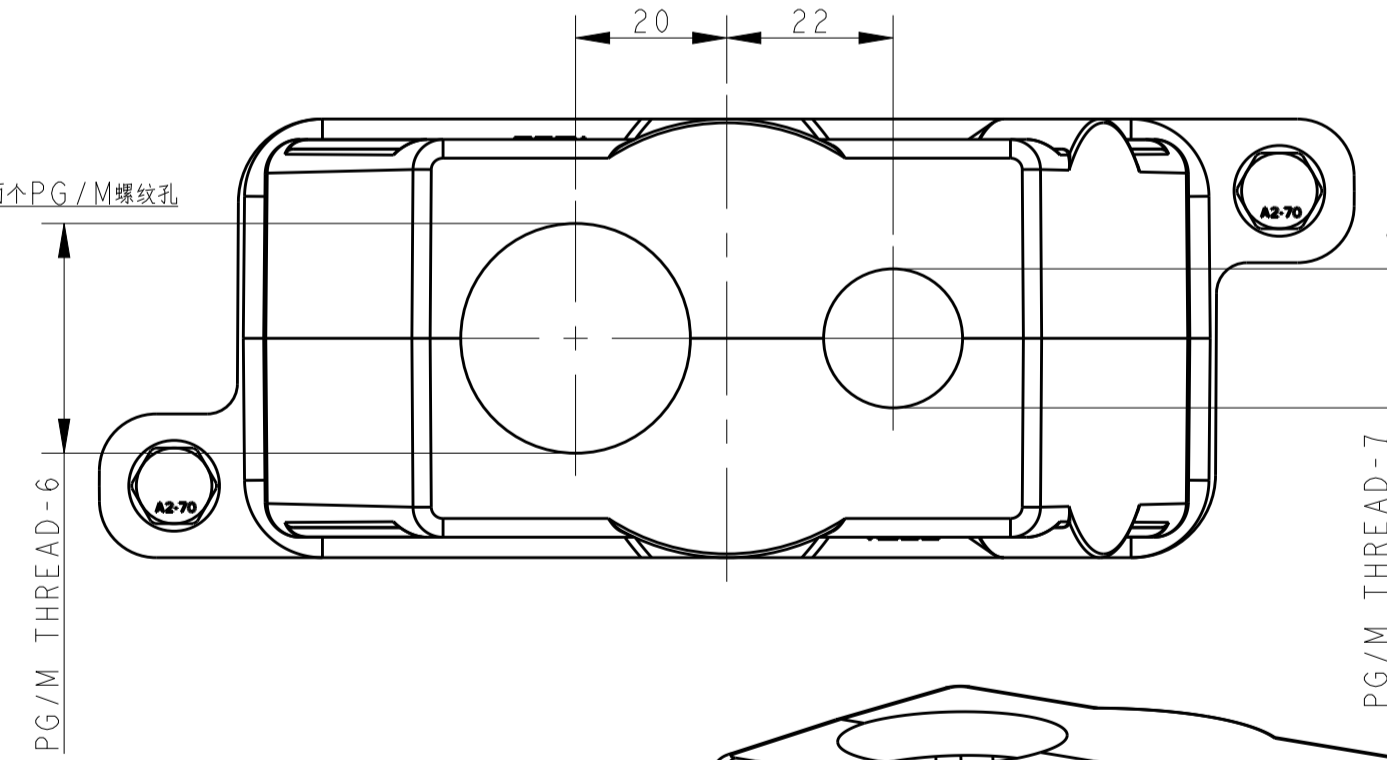


All dimension is same as TYPE 1, except those defined in this TYPE
除了在本类型中定义的尺寸外, 其他尺寸同类型 1

REVISIONS				
P	LTN	DESCRIPTION	DATE	OWN APVD
A		INITIAL RELEASE	11JUN2015	GY CW
A1		ECR-18-011763	19JUL2018	CD CW
A2		ECR-18-013704	30AUG2018	RG CW

TYPE 4
类型 4

Two PG/M threads: 两个PG/M螺纹孔



All dimension is same as TYPE 1, except those defined in this TYPE
除了在本类型中定义的尺寸外, 其他尺寸同类型 1

NOTES:
1. TECHNICAL CHARACTERISTICS:
HOOD MATERIAL: DIE CAST ALUMINIUM ALLOY
SURFACE TREATMENT: SEE TABLE
DEGREE OF PROTECTION: IP68 (MATED)

注释:
1. 技术参数:
壳体材料: 铝合金
表面处理: 见表格
防护等级: IP68 (配合)

THIS DRAWING IS A CONTROLLED DOCUMENT.		OWN: Gino_Yao 11JUN2015	STE TE Connectivity
DIMENSIONS: mm		CHK: Chris_Yao 11JUN2015	
TOLERANCES UNLESS OTHERWISE SPECIFIED:		APVD: Yiqiao_Yu 11JUN2015	NAME: H16BPR-TGH-PG/M
0 PLC	±	PRODUCT SPEC	SIZE: CAGE CODE DRAWING NO
1 PLC	±	APPLICATION SPEC	RESTRICTED TO
2 PLC	±	108-137014	A1
3 PLC	±	114-137014	SCALE: 1:1 SHEET 1 OF 2 REV A2
4 PLC	±	Customer Drawing	
ANGLES	±	WEIGHT	
FINISH			

REVISIONS				
P.	LTN	DESCRIPTION	DATE	APPD
-	-	SEE SHEET 1	-	-

NOTES:
SEE SHEET 1
备注:
见表格 1

PART NUMBER	PART DESCRIPTION	PG/M THREAD-7	PG/M THREAD-6	PG/M THREAD-5	PG/M THREAD-4	PG/M THREAD-3	PG/M THREAD-2	PG/M THREAD-1	TYPE
T1920163220-000	H16BPR-TGH-M32/M20 H16BPR HOOD,DIAGONAL LOCKING, TOP ENTRY M32-M20, POWDER COATED, BLACK H16BPR上壳, 对角锁定, 顶出M32-M20, 黑色粉末喷涂	M20	M32	-	-	-	-	-	TYPE 4 类型4
T1920163225-000	H16BPR-TGH-M32/M25 H16BPR HOOD,DIAGONAL LOCKING, TOP ENTRY M32-M25, POWDER COATED, GREY H16BPR上壳, 对角锁定, 顶出M32-M25, 灰色粉末喷涂	-	-	M32	M25	-	-	-	TYPE 3 类型3
T1920162520-000	H16BPR-TGH-M25/M20 H16BPR HOOD,DIAGONAL LOCKING, TOP ENTRY M25-M20, POWDER COATED, BLACK H16BPR上壳, 对角锁定, 顶出M25-M20, 黑色粉末喷涂	-	-	-	-	M20	M25	-	TYPE 2 类型2
T1920162516-000	H16BPR-TGH-M25/M16 H16BPR HOOD,DIAGONAL LOCKING, TOP ENTRY M25-M16, POWDER COATED, BLACK H16BPR上壳, 对角锁定, 顶出M25-M16, 黑色粉末喷涂	-	-	-	-	M16	M25	-	
T1920161225-000	H16BPR-TGH-2M25 H16BPR HOOD,DIAGONAL LOCKING, TOP ENTRY 2M25, POWDER COATED, SILVER WHITE H16BPR上壳, 对角锁定, 顶出2M25, 银白色粉末喷涂	-	-	-	-	M25	M25	-	TYPE 1 类型1
T1920160225-000	H16BPR-TGH-2M25 H16BPR HOOD,DIAGONAL LOCKING, TOP ENTRY 2M25, POWDER COATED, BLACK H16BPR上壳, 对角锁定, 顶出2M25, 黑色粉末喷涂	-	-	-	-	M25	M25	-	
T1920161140-000	H16BPR-TGH-M40 H16BPR HOOD,DIAGONAL LOCKING, TOP ENTRY M40, POWDER COATED, SILVER WHITE H16BPR上壳, 对角锁定, 顶出M40, 银白色粉末喷涂	-	-	-	-	-	-	M40	
T1920161136-000	H16BPR-TGH-PG36 H16BPR HOOD,DIAGONAL LOCKING, TOP ENTRY PG36, POWDER COATED, SILVER WHITE H16BPR上壳, 对角锁定, 顶出PG36, 银白色粉末喷涂	-	-	-	-	-	-	PG36	
T1920161132-000	H16BPR-TGH-M32 H16BPR HOOD,DIAGONAL LOCKING, TOP ENTRY M32, POWDER COATED, SILVER WHITE H16BPR上壳, 对角锁定, 顶出M32, 银白色粉末喷涂	-	-	-	-	-	-	M32	
T1920161129-000	H16BPR-TGH-PG29 H16BPR HOOD,DIAGONAL LOCKING, TOP ENTRY PG29, POWDER COATED, SILVER WHITE H16BPR上壳, 对角锁定, 顶出PG29, 银白色粉末喷涂	-	-	-	-	-	-	PG29	
T1920161125-000	H16BPR-TGH-M25 H16BPR HOOD,DIAGONAL LOCKING, TOP ENTRY M25, POWDER COATED, SILVER WHITE H16BPR上壳, 对角锁定, 顶出M25, 银白色粉末喷涂	-	-	-	-	-	-	M25	
T1920161121-000	H16BPR-TGH-PG21 H16BPR HOOD,DIAGONAL LOCKING, TOP ENTRY PG21, POWDER COATED, SILVER WHITE H16BPR上壳, 对角锁定, 顶出PG21, 银白色粉末喷涂	-	-	-	-	-	-	PG21	
T1920160140-000	H16BPR-TGH-M40 H16BPR HOOD,DIAGONAL LOCKING, TOP ENTRY M40, POWDER COATED, BLACK H16BPR上壳, 对角锁定, 顶出M40, 黑色粉末喷涂	-	-	-	-	-	-	M40	
T1920160136-000	H16BPR-TGH-PG36 H16BPR HOOD,DIAGONAL LOCKING, TOP ENTRY PG36, POWDER COATED, BLACK H16BPR上壳, 对角锁定, 顶出PG36, 黑色粉末喷涂	-	-	-	-	-	-	PG36	
T1920160132-000	H16BPR-TGH-M32 H16BPR HOOD,DIAGONAL LOCKING, TOP ENTRY M32, POWDER COATED, BLACK H16BPR上壳, 对角锁定, 顶出M32, 黑色粉末喷涂	-	-	-	-	-	-	M32	
T1920160129-000	H16BPR-TGH-PG29 H16BPR HOOD,DIAGONAL LOCKING, TOP ENTRY PG29, POWDER COATED, BLACK H16BPR上壳, 对角锁定, 顶出PG29, 黑色粉末喷涂	-	-	-	-	-	-	PG29	
T1920160125-000	H16BPR-TGH-M25 H16BPR HOOD,DIAGONAL LOCKING, TOP ENTRY M25, POWDER COATED, BLACK H16BPR上壳, 对角锁定, 顶出M25, 黑色粉末喷涂	-	-	-	-	-	-	M25	
T1920160121-000	H16BPR-TGH-PG21 H16BPR HOOD,DIAGONAL LOCKING, TOP ENTRY PG21, POWDER COATED, BLACK H16BPR上壳, 对角锁定, 顶出PG21, 黑色粉末喷涂	-	-	-	-	-	-	PG21	

THIS DRAWING IS A CONTROLLED DOCUMENT.		DWN Gino.Yao 11JUN2015		 TE Connectivity	
DIMENSIONS:		TOLERANCES UNLESS OTHERWISE SPECIFIED:			
mm		0 PLC ±		NAME H16BPR-TGH-PG/M	
		2 PLC ±		PRODUCT SPEC 108-137014	
		3 PLC ±		APPLICATION SPEC 114-137014	
		4 PLC ±		SIZE A1	
		ANGLES		CAGE CODE T192016XXXXX00	
MATERIAL		FINISH		DRAWING NO 114-137014	
				RESTRICTED TO	
				WEIGHT	
				SCALE 1:1	
				SHEET 2 OF 2	
				REV A2	
				Customer Drawing	

X-ON Electronics

Largest Supplier of Electrical and Electronic Components

Click to view similar products for [Heavy Duty Power Connectors](#) category:

Click to view products by [TE Connectivity](#) manufacturer:

Other Similar products are found below :

[1424439](#) [1424438](#) [09330062652](#) [2-8675P1](#) [605601-1](#) [6340G1](#) [6341G1](#) [6360G1](#) [6373G1](#) [6374g2](#) [6396G1](#) [647757-1](#) [66394-4](#) [6643411-1](#)
[6646058-2](#) [6646137-1](#) [6646138-1](#) [6646348-1](#) [6646479-1](#) [6646608-1](#) [6646786-1](#) [6646940-1](#) [6651091-1](#) [6651525-1](#) [6651529-1](#) [6651778-1](#)
[6651788-1](#) [696465-1](#) [696475-1](#) [73000005059](#) [73000005349](#) [73000005642](#) [73080255059](#) [73080965046](#) [765-15-0080A](#) [765-16-0080B](#)
[789.700-44](#) [789.700-54](#) [80-1010](#) [80-9](#) [827381-1](#) [829992-1](#) [902-77-02113](#) [PL00U-301-10D10](#) [PM103MOOLOO](#) [PM16S1620S32-50](#)
[PM212MOOLOO](#) [PM309FOOLOO](#) [PM324FOOLCH](#) [PMHPAF11S03](#)