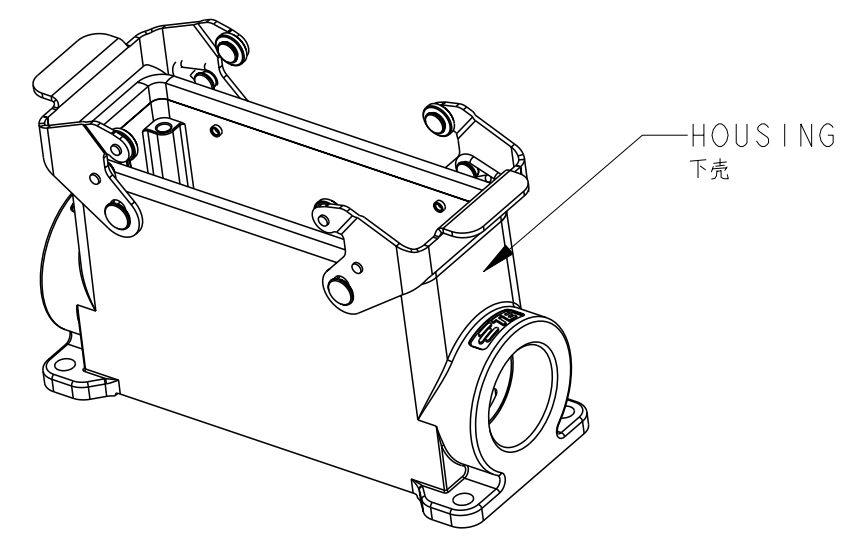
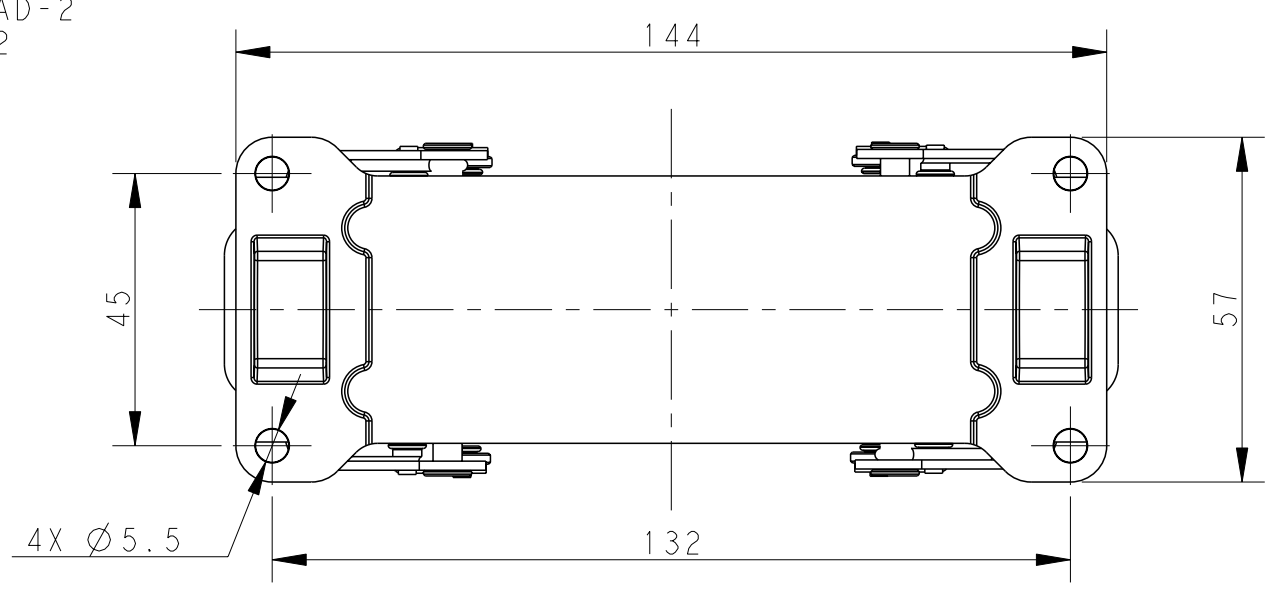
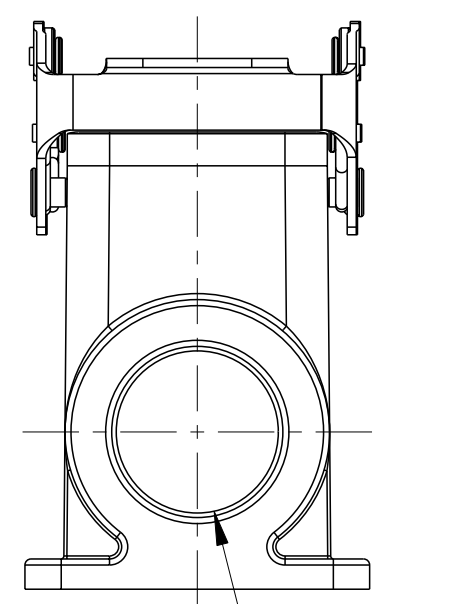
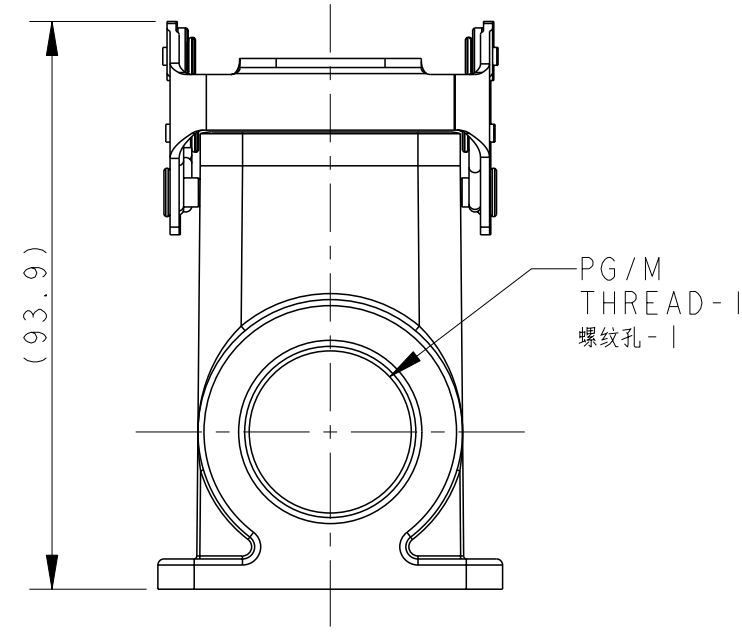
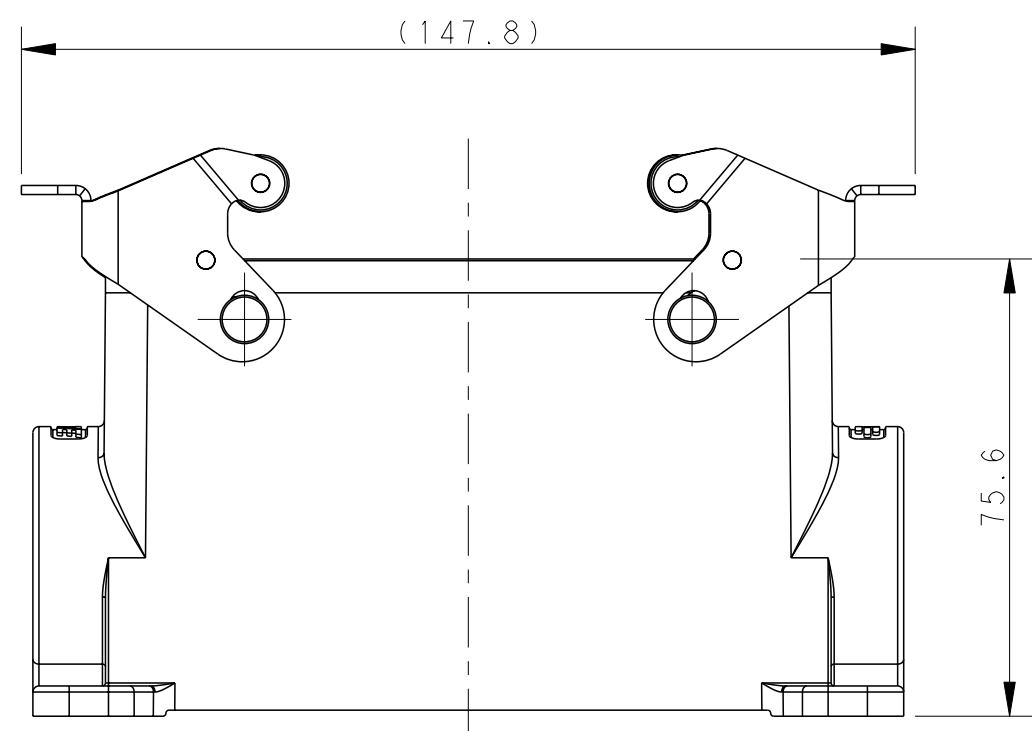
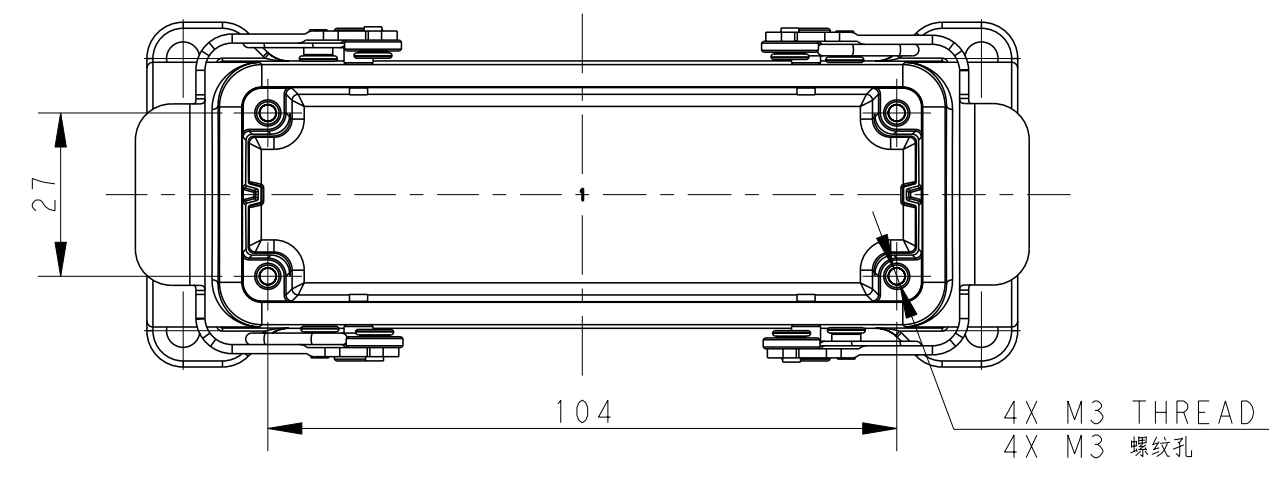


THIS DRAWING IS UNPUBLISHED. RELEASED FOR PUBLICATION 20
 © COPYRIGHT 20 BY - ALL RIGHTS RESERVED.

REVISIONS				
P	LTR	DESCRIPTION	DATE	APVD
	A	INITIAL	30DEC2016	DL CW
	A1	ECR-16-018258	30DEC2016	BS CW
	B	ECR-18-016391	22OCT2018	GY CW

TYPE I: HIGH CONSTRUCTION + STATINLESS STEEL LOCKING.
 类型 I: 高结构+不锈钢双扣.



NOTES:

- 1. TECHNICAL CHARACTERISTICS:
 HOUSING MATERIAL: DIE CAST ALUMINIUM ALLOY
 HOUSING SURFACE: POWDER COATED, GREY
 DEGREE OF PROTECTION: IP65 (MATED)

注释:

- 1. 技术参数:
 下壳材料: 铝合金
 下壳表面处理: 灰色粉末喷涂
 防护等级: IP65(配合)

T1470241121-000	H24B-SGRHS-PG21	H24B HOUSING, SURFACE MOUNTED, STAINLESS STEEL DOUBLE LOCKING, PG21, HIGH CONSTRUCTION, POWDER COATED, GREY H24B下壳, 表面安装, 不锈钢双扣, PG21, 高结构, 灰色粉末喷涂	PG21	-	TYPE I 类型 I
T1470241129-000	H24B-SGRHS-PG29	H24B HOUSING, SURFACE MOUNTED, STAINLESS STEEL DOUBLE LOCKING, PG29, HIGH CONSTRUCTION, POWDER COATED, GREY H24B下壳, 表面安装, 不锈钢双扣, PG29, 高结构, 灰色粉末喷涂	PG29	-	
T1470241132-000	H24B-SGRHS-M32	H24B HOUSING, SURFACE MOUNTED, STAINLESS STEEL DOUBLE LOCKING, M32, HIGH CONSTRUCTION, POWDER COATED, GREY H24B下壳, 表面安装, 不锈钢双扣, M32, 高结构, 灰色粉末喷涂	M32	-	
T1470241221-000	H24B-SGRHS-2PG21	H24B HOUSING, SURFACE MOUNTED, STAINLESS STEEL DOUBLE LOCKING, 2PG21, HIGH CONSTRUCTION, POWDER COATED, GREY H24B下壳, 表面安装, 不锈钢双扣, 2PG21, 高结构, 灰色粉末喷涂	PG21	PG21	
T1470241229-000	H24B-SGRHS-2PG29	H24B HOUSING, SURFACE MOUNTED, STAINLESS STEEL DOUBLE LOCKING, 2PG29, HIGH CONSTRUCTION, POWDER COATED, GREY H24B下壳, 表面安装, 不锈钢双扣, 2PG29, 高结构, 灰色粉末喷涂	PG29	PG29	
T1470241232-000	H24B-SGRHS-2M32	H24B HOUSING, SURFACE MOUNTED, STAINLESS STEEL DOUBLE LOCKING, 2M32, HIGH CONSTRUCTION, POWDER COATED, GREY H24B下壳, 表面安装, 不锈钢双扣, 2M32, 高结构, 灰色粉末喷涂	M32	M32	
PART NUMBER 料号	PART DESCRIPTION 描述		PG/M THREAD-1 螺纹孔-1	PG/M THREAD-2 螺纹孔-2	

THIS DRAWING IS A CONTROLLED DOCUMENT.

DWN DAVID LI 17JUN2015
 CHK CHRIS WANG 17JUN2015
 APVD XU XIANG 17JUN2015

STE TE Connectivity

NAME H24B-SGRHS-PG/M

PRODUCT SPEC 108-137013
 APPLICATION SPEC 114-137013

SIZE A2 CAGE CODE - DRAWING NO. C-T147024XXXX000 RESTRICTED TO

MATERIAL - FINISH - WEIGHT -

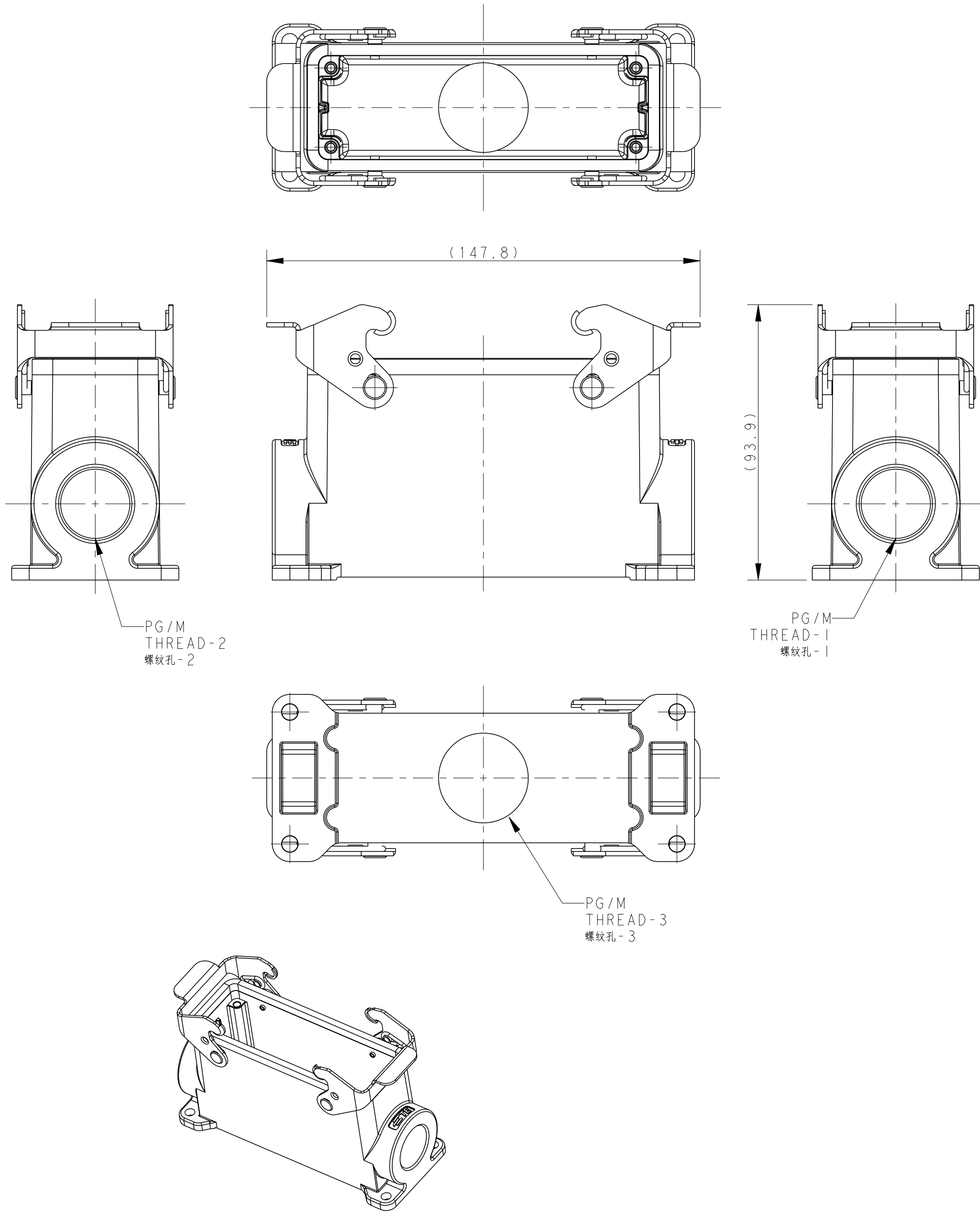
CUSTOMER DRAWING SCALE 4:5 SHEET 1 OF 2 REV B

THIS DRAWING IS UNPUBLISHED. RELEASED FOR PUBLICATION 20
 © COPYRIGHT 20 BY - ALL RIGHTS RESERVED.

REVISIONS					
P	LTR	DESCRIPTION	DATE	DWN	APVD
-		SEE SHEET 1	-	-	-

TYPE 2: HIGH CONSTRUCTION + STEEL LOCKING, OTHER SPEC REFER TO TYPE 1.
 类型2: 高结构+彩锌双扣, 其他规格参照类型1.

NOTES:
SEE SHEET 1



PART NUMBER	PART DESCRIPTION	PG/M THREAD-1	PG/M THREAD-2	PG/M THREAD-3	TYPE
料号	描述	螺纹孔-1	螺纹孔-2	螺纹孔-3	类型
TI470242121-000	H24B-SGRH-PG21 H24B HOUSING, SURFACE MOUNTED, METAL DOUBLE LOCKING, PG21, HIGH CONSTRUCTION, POWDER COATED, GREY H24B下壳, 表面安装, 彩锌双扣, PG21, 高结构, 灰色粉末喷涂		PG21	-	-
TI470242125-000	H24B-SGRH-M25 H24B HOUSING, SURFACE MOUNTED, METAL DOUBLE LOCKING, M25, HIGH CONSTRUCTION, POWDER COATED, GREY H24B下壳, 表面安装, 彩锌双扣, M25, 高结构, 灰色粉末喷涂		M25	-	-
TI470242129-000	H24B-SGRH-PG29 H24B HOUSING, SURFACE MOUNTED, METAL DOUBLE LOCKING, PG29, HIGH CONSTRUCTION, POWDER COATED, GREY H24B下壳, 表面安装, 彩锌双扣, PG29, 高结构, 灰色粉末喷涂		PG29	-	-
TI470242132-000	H24B-SGRH-M32 H24B HOUSING, SURFACE MOUNTED, METAL DOUBLE LOCKING, M32, HIGH CONSTRUCTION, POWDER COATED, GREY H24B下壳, 表面安装, 彩锌双扣, M32, 高结构, 灰色粉末喷涂		M32	-	-
TI470242221-000	H24B-SGRH-2PG21 H24B HOUSING, SURFACE MOUNTED, METAL DOUBLE LOCKING, 2PG21, HIGH CONSTRUCTION, POWDER COATED, GREY H24B下壳, 表面安装, 彩锌双扣, 2PG21, 高结构, 灰色粉末喷涂		PG21	PG21	-
TI470242225-000	H24B-SGRH-2M25 H24B HOUSING, SURFACE MOUNTED, METAL DOUBLE LOCKING, 2M25, HIGH CONSTRUCTION, POWDER COATED, GREY H24B下壳, 表面安装, 彩锌双扣, 2M25, 高结构, 灰色粉末喷涂		M25	M25	-
TI470242229-000	H24B-SGRH-2PG29 H24B HOUSING, SURFACE MOUNTED, METAL DOUBLE LOCKING, 2PG29, HIGH CONSTRUCTION, POWDER COATED, GREY H24B下壳, 表面安装, 彩锌双扣, 2PG29, 高结构, 灰色粉末喷涂		PG29	PG29	-
TI470242232-000	H24B-SGRH-2M32 H24B HOUSING, SURFACE MOUNTED, METAL DOUBLE LOCKING, 2M32, HIGH CONSTRUCTION, POWDER COATED, GREY H24B下壳, 表面安装, 彩锌双扣, 2M32, 高结构, 灰色粉末喷涂		M32	M32	-
TI470242921-000	H24B-SGRH-PG21/PG29 H24B HOUSING, SURFACE MOUNTED, METAL DOUBLE LOCKING, PG21/PG29, HIGH CONSTRUCTION, POWDER COATED, GREY H24B下壳, 表面安装, 彩锌双扣, PG21/PG29, 高结构, 灰色粉末喷涂		PG21	PG29	-
TI470242932-000	H24B-SGRH-PG29/M32 H24B HOUSING, SURFACE MOUNTED, METAL DOUBLE LOCKING, PG29/M32, HIGH CONSTRUCTION, POWDER COATED, GREY H24B下壳, 表面安装, 彩锌双扣, PG29/M32, 高结构, 灰色粉末喷涂		PG29	M32	-
TI470243216-000	H24B-SGRH-M32/M16 H24B HOUSING, SURFACE MOUNTED, METAL DOUBLE LOCKING, M32/M16, HIGH CONSTRUCTION, POWDER COATED, GREY H24B下壳, 表面安装, 彩锌双扣, M32/M16, 高结构, 灰色粉末喷涂		M32	M16	-
TI470242229-001	H24B-SGRH-2PG29/M32 H24B HOUSING, SURFACE MOUNTED, METAL DOUBLE LOCKING, 2PG29, BOTTOM ENTRY M32, HIGH CONSTRUCTION, POWDER COATED, GREY H24B下壳, 表面安装, 彩锌双扣, 2PG29, 底出M32, 高结构, 灰色粉末喷涂		PG29	PG29	M32

TYPE 2
类型2

THIS DRAWING IS A CONTROLLED DOCUMENT. DWN DAVID LI 17JUN2015
 CHK CHRIS WANG 17JUN2015
 APVD XU XIANG 17JUN2015

STE TE Connectivity

H24B-SGRH-PG/M

DIMENSIONS: mm	TOLERANCES UNLESS OTHERWISE SPECIFIED:	PRODUCT SPEC	108-137013
0 PLC ±	1 PLC ±	APPLICATION SPEC	114-137013
2 PLC ±	3 PLC ±	WEIGHT	-
4 PLC ±	ANGLES ±	CUSTOMER DRAWING	SCALE 4:5 SHEET 2 OF 2 REV B
MATERIAL -	FINISH -	RESTRICTED TO	

X-ON Electronics

Largest Supplier of Electrical and Electronic Components

Click to view similar products for [Heavy Duty Power Connectors](#) category:

Click to view products by [TE Connectivity](#) manufacturer:

Other Similar products are found below :

[1424439](#) [1424438](#) [09330062652](#) [2-8675P1](#) [605601-1](#) [6340G1](#) [6341G1](#) [6360G1](#) [6373G1](#) [6374g2](#) [6396G1](#) [647757-1](#) [66394-4](#) [6643411-1](#)
[6646058-2](#) [6646137-1](#) [6646138-1](#) [6646348-1](#) [6646479-1](#) [6646608-1](#) [6646786-1](#) [6646940-1](#) [6651091-1](#) [6651525-1](#) [6651529-1](#) [6651778-1](#)
[6651788-1](#) [696465-1](#) [696475-1](#) [73000005059](#) [73000005349](#) [73000005642](#) [73080255059](#) [73080965046](#) [765-15-0080A](#) [765-16-0080B](#)
[789.700-44](#) [789.700-54](#) [80-1010](#) [80-9](#) [827381-1](#) [829992-1](#) [902-77-02113](#) [PL00U-301-10D10](#) [PM103MOOLOO](#) [PM16S1620S32-50](#)
[PM212MOOLOO](#) [PM309FOOLOO](#) [PM324FOOLCH](#) [PMHPAF11S03](#)