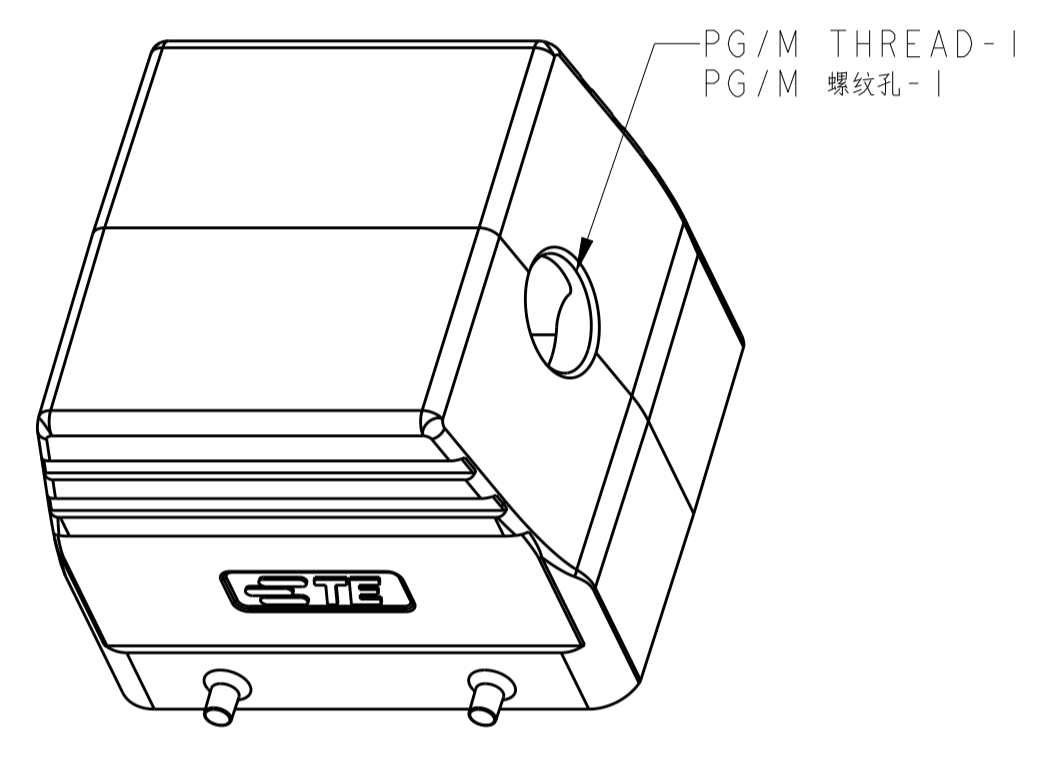
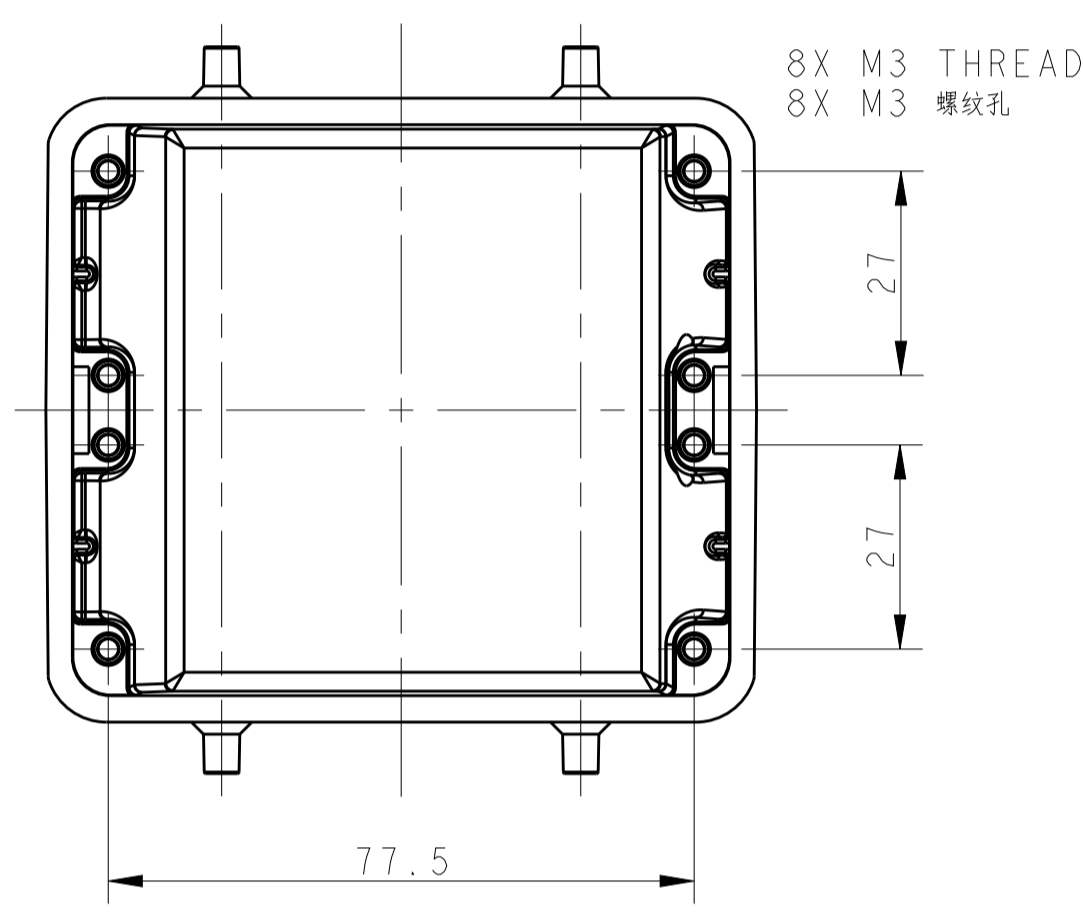
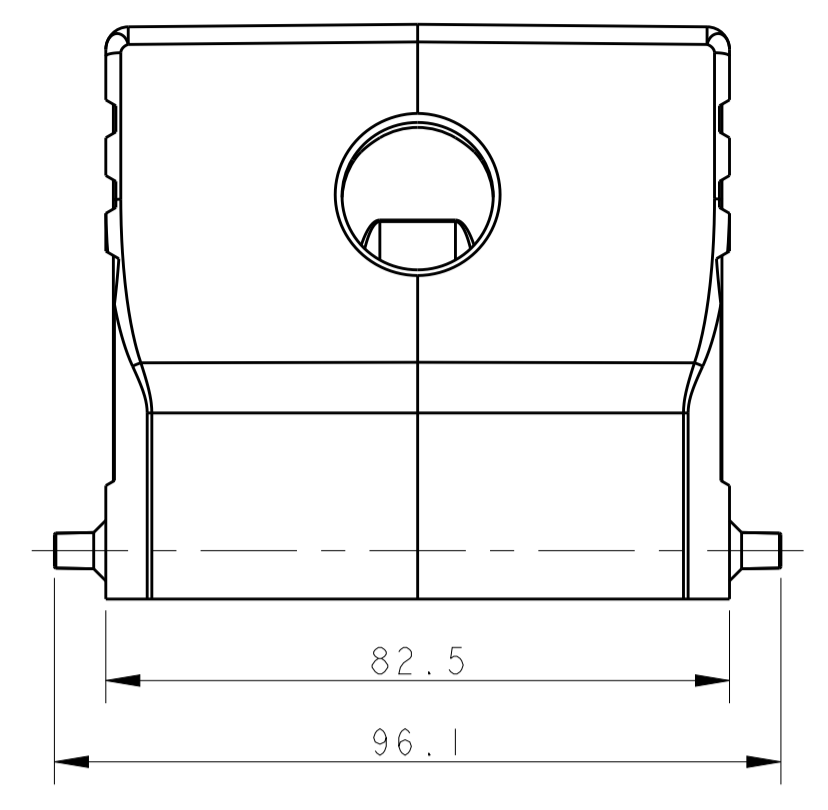
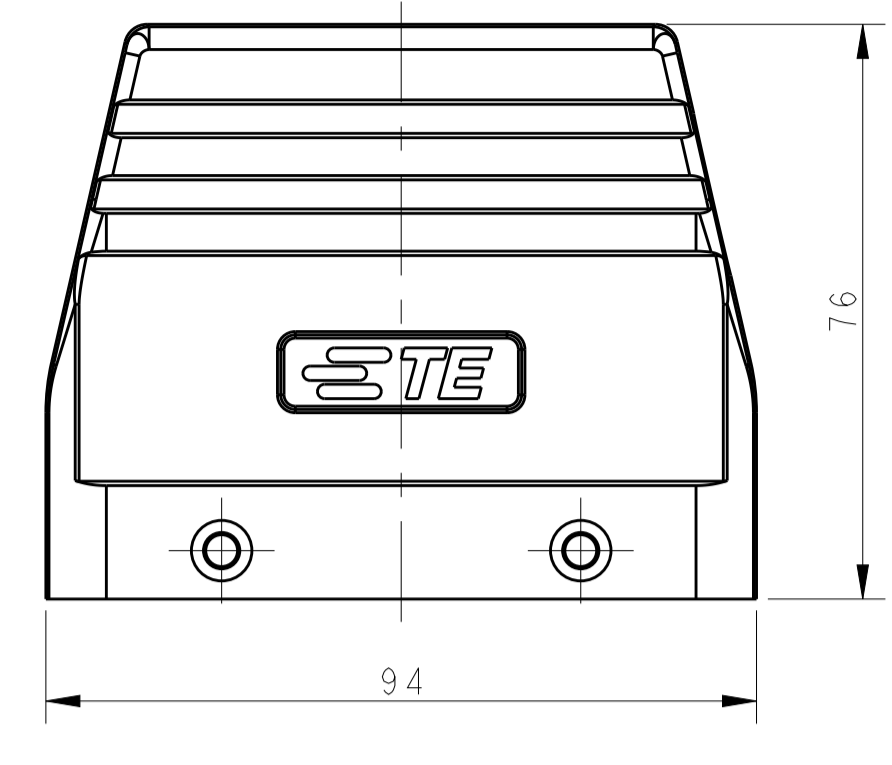
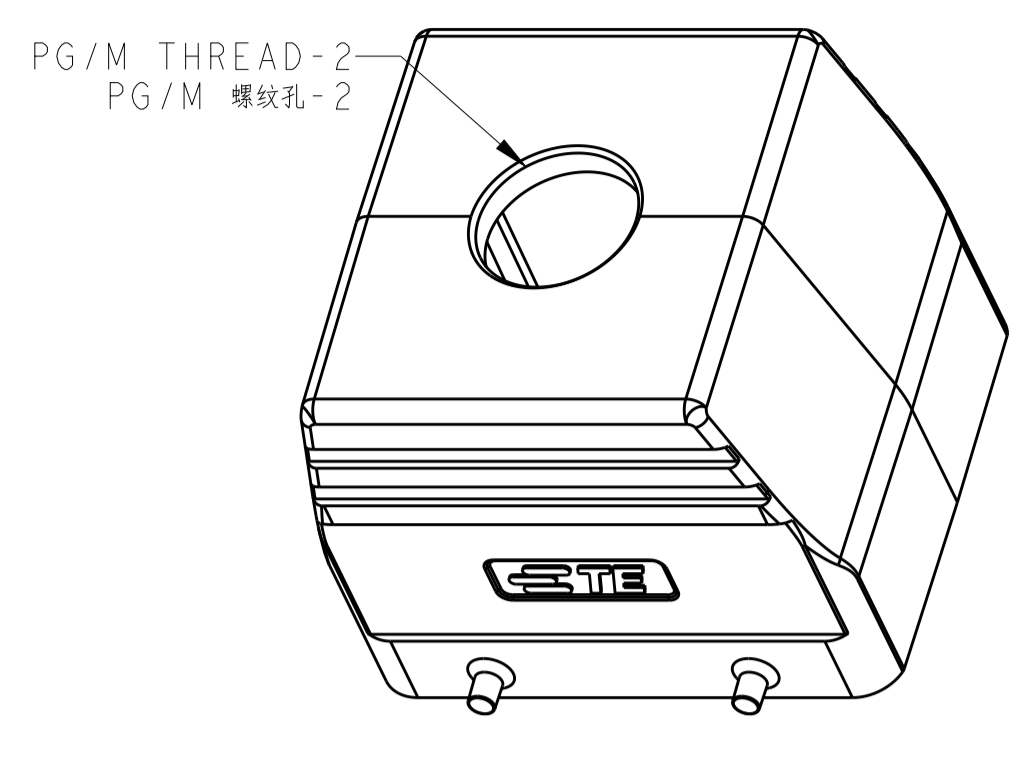


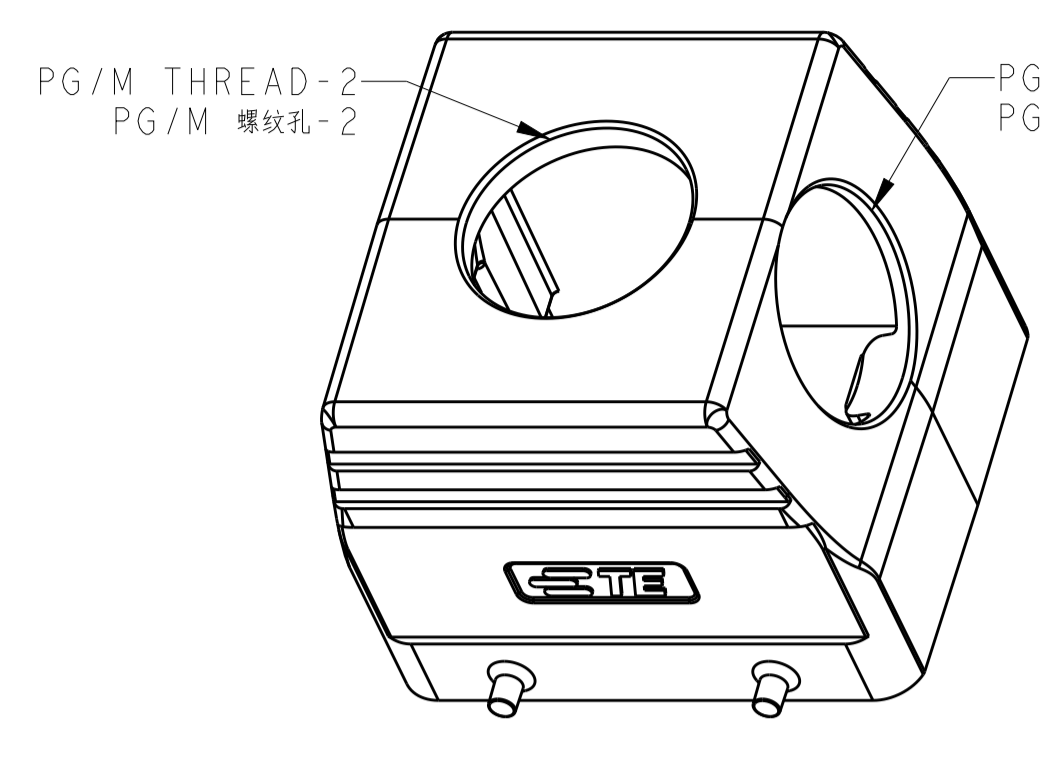
| REVISIONS | | | | | |
|-----------|-----|-----------------|-----------|-----|------|
| P | LTN | DESCRIPTION | DATE | DWN | APVD |
| A | | INITIAL RELEASE | 02JUN2015 | DL | CW |
| A1 | | ECR-16-001148 | 27JAN2016 | DL | CW |
| A2 | | ECR-16-013642 | 05MAY2017 | BS | CW |
| A3 | | ECR-18-006816 | 7MAY2018 | RG | CW |



TYPE 1: H32B HOOD, SIDE ENTRY, 4 EAR
类型 1: H32B上壳, 侧出, 4耳



TYPE 2: H32B HOOD, TOP ENTRY, 4 EAR
OTHER SPEC REFER TO TYPE 1
类型 2: H32B上壳, 顶出, 4耳
未注规格参照类型1

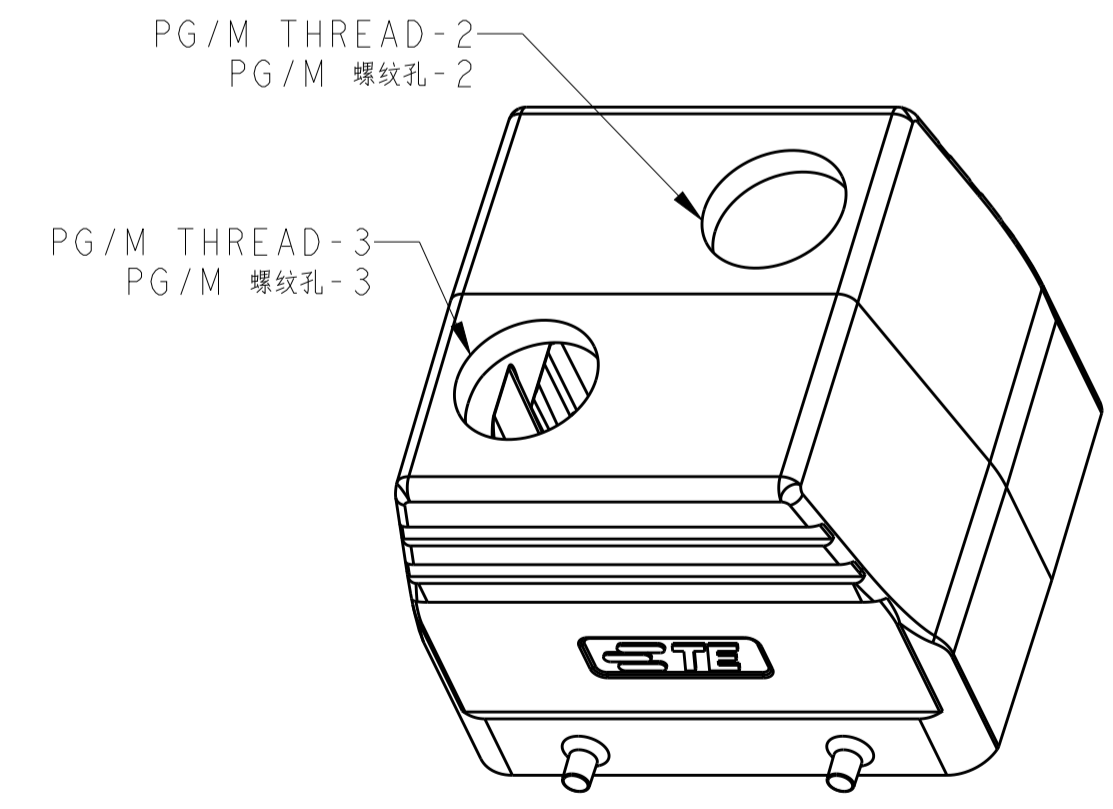


TYPE 3: H32B HOOD, SIDE/TOP ENTRY, 4 EAR
OTHER SPEC REFER TO TYPE 1 & TYPE 2
类型 3: H32B上壳, 侧顶出, 4耳
未注规格参照类型1和类型2

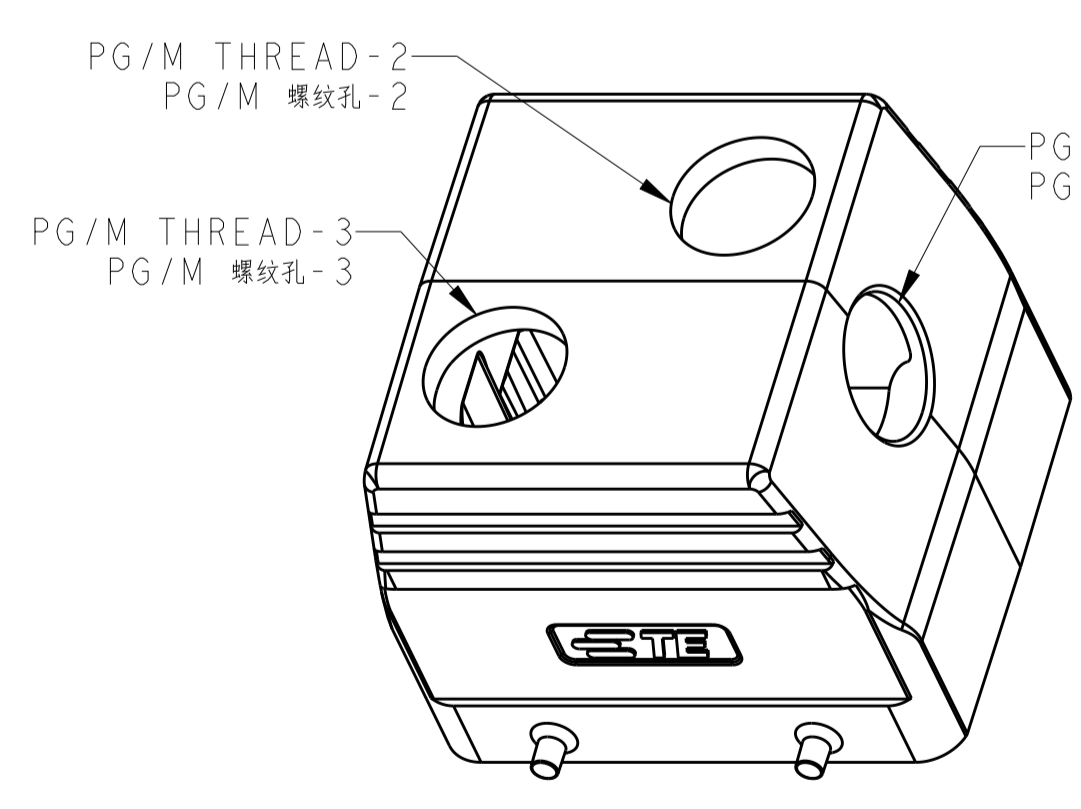
NOTES:
1. TECHNICAL CHARACTERISTICS:
BODY MATERIAL: DIE CAST ALUMINIUM ALLOY
SURFACE TREATMENT: POWDER COATED, GREY
DEGREE OF PROTECTION: IP65 (MATED)

注释:
1. 技术参数:
主体材料: 铝合金
表面处理: 灰色粉末喷涂
防护等级: IP65(配合)

| PART NUMBER | PART DESCRIPTION | PG/M THREAD-1 | PG/M THREAD-2 | PG/M THREAD-3 | TYPE |
|-----------------|--|---------------|---------------|---------------|----------------|
| T1210320120-000 | H32B HOOD, SIDE ENTRY M20, 4 EAR, POWDER COATED, GREY H32B上壳, 侧出M20, 4耳, 灰色粉末喷涂 | | M20 | - | TYPE 1 类型 1 |
| T1210320121-000 | H32B HOOD, SIDE ENTRY PG21, 4 EAR, POWDER COATED, GREY H32B上壳, 侧出PG21, 4耳, 灰色粉末喷涂 | | PG21 | - | |
| T1210320125-000 | H32B HOOD, SIDE ENTRY M25, 4 EAR, POWDER COATED, GREY H32B上壳, 侧出M25, 4耳, 灰色粉末喷涂 | | M25 | - | |
| T1210320129-000 | H32B HOOD, SIDE ENTRY PG29, 4 EAR, POWDER COATED, GREY H32B上壳, 侧出PG29, 4耳, 灰色粉末喷涂 | | PG29 | - | |
| T1210320132-000 | H32B HOOD, SIDE ENTRY M32, 4 EAR, POWDER COATED, GREY H32B上壳, 侧出M32, 4耳, 灰色粉末喷涂 | | M32 | - | |
| T1210320136-000 | H32B HOOD, SIDE ENTRY PG36, 4 EAR, POWDER COATED, GREY H32B上壳, 侧出PG36, 4耳, 灰色粉末喷涂 | | PG36 | - | |
| T1210320140-000 | H32B HOOD, SIDE ENTRY M40, 4 EAR, POWDER COATED, GREY H32B上壳, 侧出M40, 4耳, 灰色粉末喷涂 | | M40 | - | TYPE 2 类型 2 |
| T1220320121-000 | H32B HOOD, TOP ENTRY PG21, 4 EAR, POWDER COATED, GREY H32B上壳, 顶出PG21, 4耳, 灰色粉末喷涂 | | PG21 | - | |
| T1220320125-000 | H32B HOOD, TOP ENTRY M25, 4 EAR, POWDER COATED, GREY H32B上壳, 顶出M25, 4耳, 灰色粉末喷涂 | | M25 | - | |
| T1220320129-000 | H32B HOOD, TOP ENTRY PG29, 4 EAR, POWDER COATED, GREY H32B上壳, 顶出PG29, 4耳, 灰色粉末喷涂 | | PG29 | - | |
| T1220320132-000 | H32B HOOD, TOP ENTRY M32, 4 EAR, POWDER COATED, GREY H32B上壳, 顶出M32, 4耳, 灰色粉末喷涂 | | M32 | - | |
| T1220320136-000 | H32B HOOD, TOP ENTRY PG36, 4 EAR, POWDER COATED, GREY H32B上壳, 顶出PG36, 4耳, 灰色粉末喷涂 | | PG36 | - | |
| T1220320140-000 | H32B HOOD, TOP ENTRY M40, 4 EAR, POWDER COATED, GREY H32B上壳, 顶出M40, 4耳, 灰色粉末喷涂 | | M40 | - | |
| T1220320142-000 | H32B HOOD, TOP ENTRY PG42, 4 EAR, POWDER COATED, GREY H32B上壳, 顶出PG42, 4耳, 灰色粉末喷涂 | | PG42 | - | |
| T1220320148-000 | H32B HOOD, TOP ENTRY PG48, 4 EAR, POWDER COATED, GREY H32B上壳, 顶出PG48, 4耳, 灰色粉末喷涂 | | PG48 | - | |
| T1220320150-000 | H32B HOOD, TOP ENTRY M50, 4 EAR, POWDER COATED, GREY H32B上壳, 顶出M50, 4耳, 灰色粉末喷涂 | | M50 | - | |
| T1220320163-000 | H32B HOOD, TOP ENTRY M63, 4 EAR, POWDER COATED, GREY H32B上壳, 顶出M63, 4耳, 灰色粉末喷涂 | | M63 | - | TYPE 3 类型 3 |
| T1220320134-000 | H32B HOOD, TOP ENTRY G3/4, 4 EAR, POWDER COATED, GREY H32B上壳, 顶出G3/4, 4耳, 灰色粉末喷涂 | | G3/4 | - | |
| T1200320240-000 | H32B HOOD, SIDE/TOP ENTRY M40, 4 EAR, POWDER COATED, GREY H32B上壳, 侧/顶出M40, 4耳, 灰色粉末喷涂 | M40 | M40 | - | |
| T1220320225-000 | H32B HOOD, TOP ENTRY 2M25, 4 EAR, POWDER COATED, GREY H32B上壳, 顶出2M25, 4耳, 灰色粉末喷涂 | | M25 | M25 | |
| T1220320325-000 | H32B HOOD, TOP ENTRY 2M25, SIDE ENTRY M25, 4 EAR, POWDER COATED, GREY H32B上壳, 顶出2M25, 侧出M25, 4耳, 灰色粉末喷涂 | M25 | M25 | M25 | TYPE 5 类型 5 |



TYPE 4: H32B HOOD, TOP ENTRY (2 HOLE), 4 EAR
OTHER SPEC REFER TO TYPE 1
类型 4: H32B上壳, 顶出(2孔), 4耳
未注规格参照类型1



TYPE 5: H32B HOOD, SIDE ENTRY / TOP ENTRY (2 HOLE), 4 EAR
OTHER SPEC REFER TO TYPE 4
类型 5: H32B上壳, 侧出/顶出(2孔), 4耳
未注规格参照类型4

THIS DRAWING IS A CONTROLLED DOCUMENT.

DAVID LI 02JUN2015
CHRIS WANG 02JUN2015
XU XIANG 02JUN2015

TE Connectivity

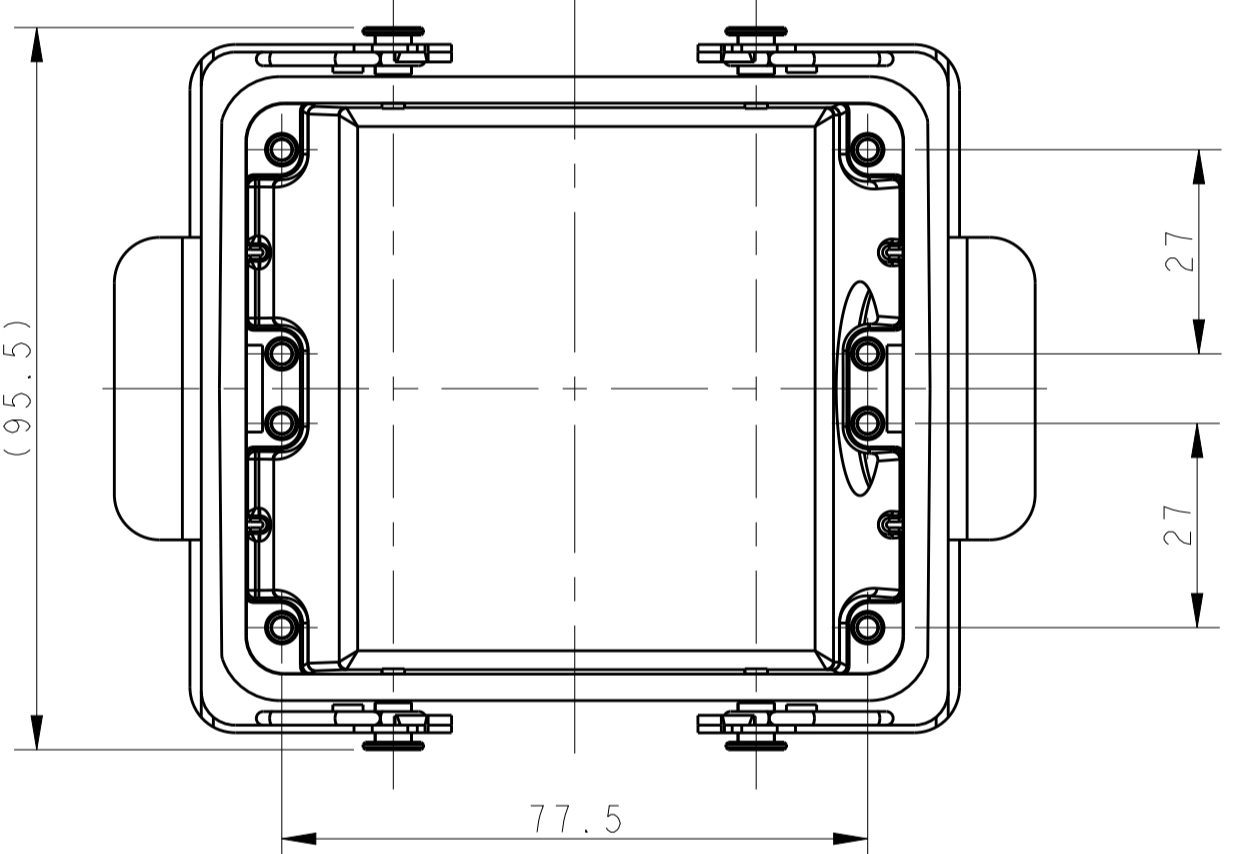
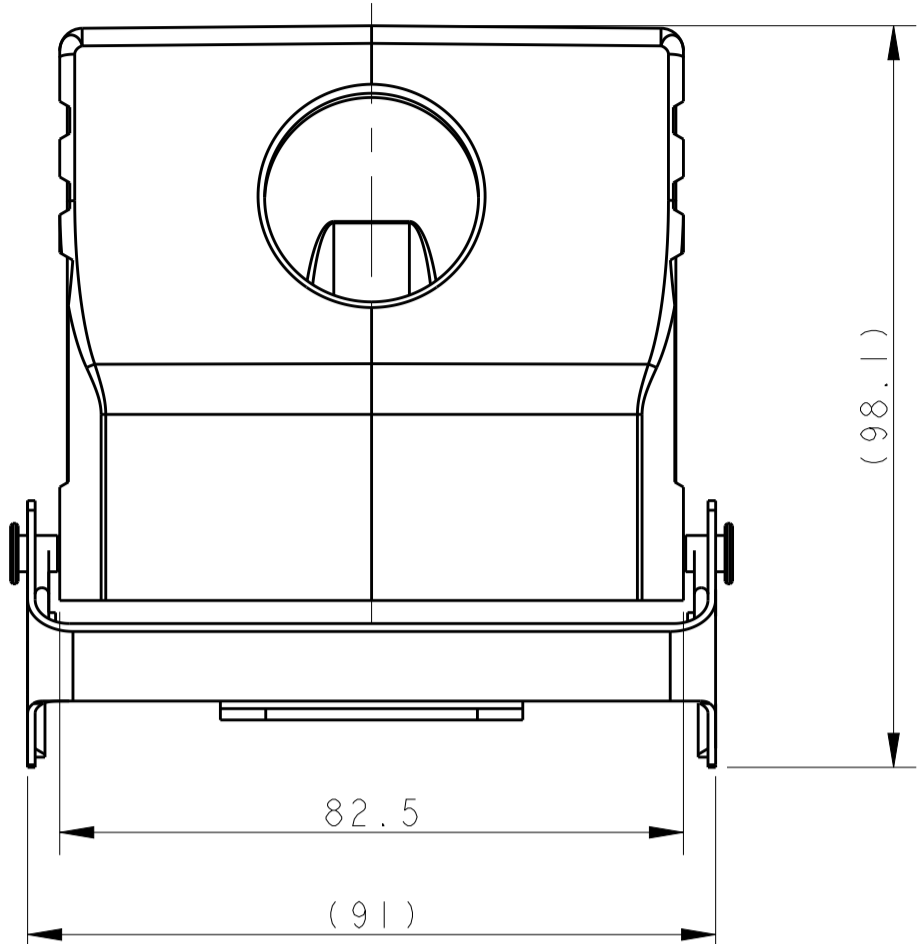
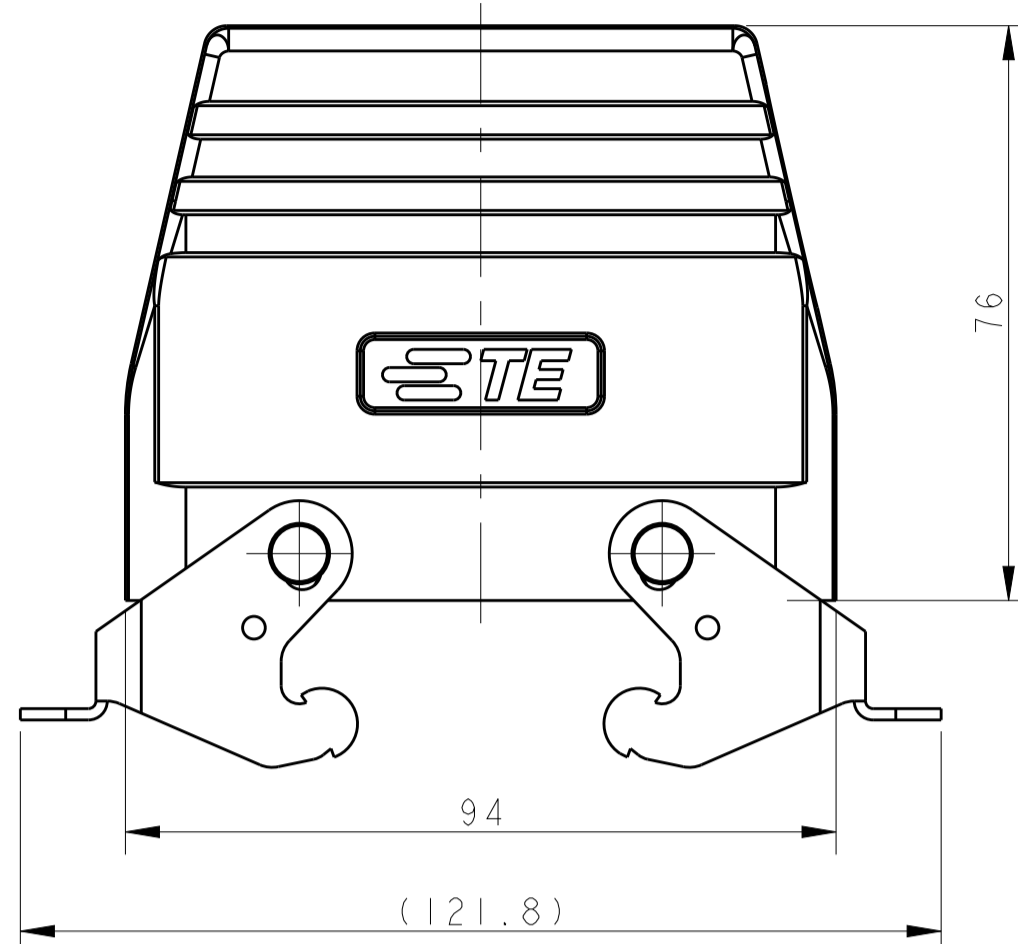
H32B-TS/TG/TSB/TGB-PG/M

PRODUCT SPEC: 108-137013
APPLICATION SPEC: 114-137013

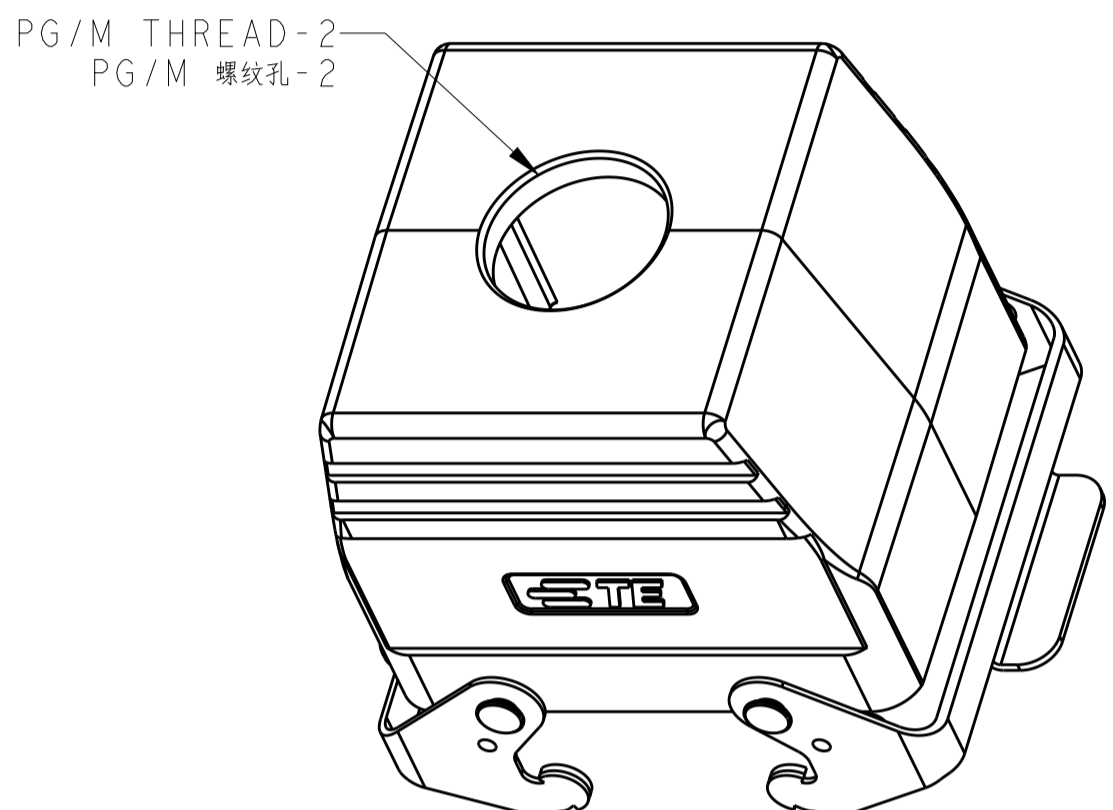
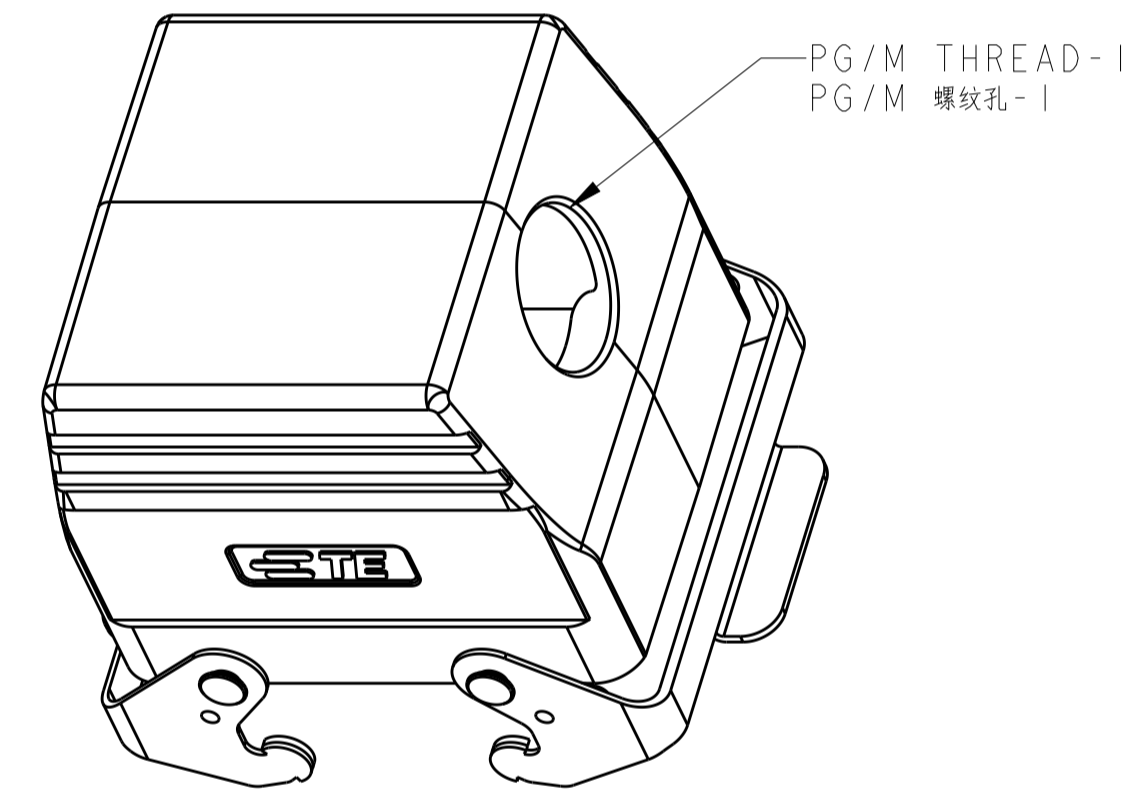
SIZE: A1 CAGE CODE: - DRAWING NO: C=T12X032XXXX000

SCALE: 1:1 SHEET 1 OF 2

| REVISIONS | | | | |
|-----------|-----|-------------|------|------|
| P. | LTN | DESCRIPTION | DATE | APVD |
| - | - | SEE SHEET 1 | - | - |
| | | | | |
| | | | | |



TYPE 6: H32B HOOD, SIDE ENTRY, WITH DOUBLE STEEL LOCKING
 类型 6: H32B上壳, 侧出, 彩锌双扣



TYPE 7: H32B HOOD, TOP ENTRY, WITH DOUBLE STEEL LOCKING
 OTHER SPEC REFER TO TYPE 6
 类型 7: H32B上壳, 顶出, 彩锌双扣
 未注规格参照类型6

| PART NUMBER | DESCRIPTION | PG/M THREAD-1 | PG/M THREAD-2 | TYPE |
|-------------------|--|-----------------------------|-----------------------------|------------|
| T1250322121-000 | H32B-TSB-PG21 H32B HOOD, SIDE ENTRY PG21, METAL DOUBLE LOCKING, POWDER COATED, GREY H32B上壳, 侧出PG21, 彩锌双扣, 灰色粉末喷涂 | PG21 | - | TYPE 6 |
| T1250322129-000 | H32B-TSB-PG29 H32B HOOD, SIDE ENTRY PG29, METAL DOUBLE LOCKING, POWDER COATED, GREY H32B上壳, 侧出PG29, 彩锌双扣, 灰色粉末喷涂 | PG29 | - | |
| T1250322132-000 | H32B-TSB-M32 H32B HOOD, SIDE ENTRY M32, METAL DOUBLE LOCKING, POWDER COATED, GREY H32B上壳, 侧出M32, 彩锌双扣, 灰色粉末喷涂 | M32 | - | |
| T1260320132-000 | H32B-TGB-M32 H32B HOOD, TOP ENTRY M32, METAL DOUBLE LOCKING, POWDER COATED, GREY H32B上壳, 顶出M32, 彩锌双扣, 灰色粉末喷涂 | - | M32 | TYPE 7 |
| T1260320136-000 | H32B-TGB-PG36 H32B HOOD, TOP ENTRY PG36, METAL DOUBLE LOCKING, POWDER COATED, GREY H32B上壳, 顶出PG36, 彩锌双扣, 灰色粉末喷涂 | - | PG36 | |
| T1260320140-000 | H32B-TGB-M40 H32B HOOD, TOP ENTRY M40, METAL DOUBLE LOCKING, POWDER COATED, GREY H32B上壳, 顶出M40, 彩锌双扣, 灰色粉末喷涂 | - | M40 | |
| T1260322121-000 | H32B-TGB-PG21 H32B HOOD, TOP ENTRY PG21, METAL DOUBLE LOCKING, POWDER COATED, GREY H32B上壳, 顶出PG21, 彩锌双扣, 灰色粉末喷涂 | - | PG21 | |
| T1260322129-000 | H32B-TGB-PG29 H32B HOOD, TOP ENTRY PG29, METAL DOUBLE LOCKING, POWDER COATED, GREY H32B上壳, 顶出PG29, 彩锌双扣, 灰色粉末喷涂 | - | PG29 | |
| PART NUMBER 料号 | PART DESCRIPTION 描述 | PG/M THREAD-1 PG/M 螺纹孔-1 | PG/M THREAD-2 PG/M 螺纹孔-2 | TYPE 类型 |

| | | | |
|--|----------|--------------------------|------------------------------|
| THIS DRAWING IS A CONTROLLED DOCUMENT. | | OWN DAVID LI 02JUN2015 | TE Connectivity |
| DIMENSIONS: mm | | CHK CHRIS WANG 02JUN2015 | |
| TOLERANCES UNLESS OTHERWISE SPECIFIED: | | APVD YU XIANG 02JUN2015 | NAME H32B-TS/TG/TSB/TGB-PG/M |
| 0 PLC ± | 1 PLC ± | PRODUCT SPEC | SIZE A1 |
| 2 PLC ± | 3 PLC ± | 108-137013 | CAGE CODE - |
| 4 PLC ± | ANGLES ± | APPLICATION SPEC | DRAWING NO C-T12X032XXXX000 |
| MATERIAL - | FINISH - | 114-137013 | RESTRICTED TO |
| CUSTOMER DRAWING | | WEIGHT - | SCALE 1:1 |
| | | REVISIONS | SHEET 2 OF 2 |

X-ON Electronics

Largest Supplier of Electrical and Electronic Components

Click to view similar products for [Heavy Duty Power Connectors](#) category:

Click to view products by [TE Connectivity](#) manufacturer:

Other Similar products are found below :

[1424439](#) [1424438](#) [09330062652](#) [2-8675P1](#) [605601-1](#) [6340G1](#) [6341G1](#) [6360G1](#) [6373G1](#) [6374g2](#) [6396G1](#) [647757-1](#) [66394-4](#) [6643411-1](#)
[6646058-2](#) [6646137-1](#) [6646138-1](#) [6646348-1](#) [6646479-1](#) [6646608-1](#) [6646786-1](#) [6646940-1](#) [6651091-1](#) [6651525-1](#) [6651529-1](#) [6651778-1](#)
[6651788-1](#) [696465-1](#) [696475-1](#) [73000005059](#) [73000005349](#) [73000005642](#) [73080255059](#) [73080965046](#) [765-15-0080A](#) [765-16-0080B](#)
[789.700-44](#) [789.700-54](#) [80-1010](#) [80-9](#) [827381-1](#) [829992-1](#) [902-77-02113](#) [PL00U-301-10D10](#) [PM103MOOLOO](#) [PM16S1620S32-50](#)
[PM212MOOLOO](#) [PM309FOOLOO](#) [PM324FOOLCH](#) [PMHPAF11S03](#)