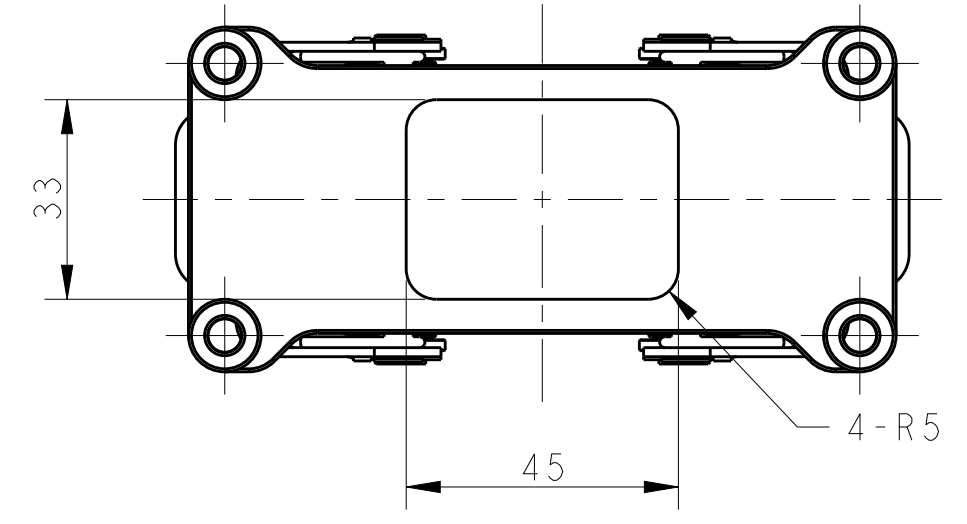
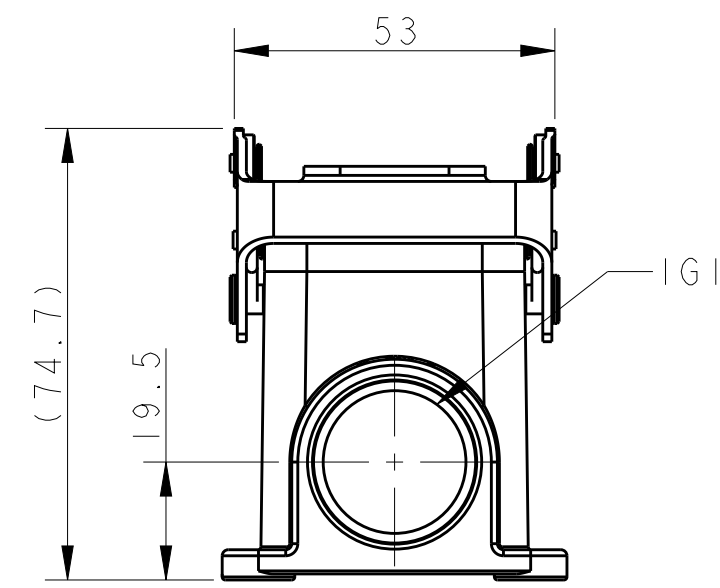
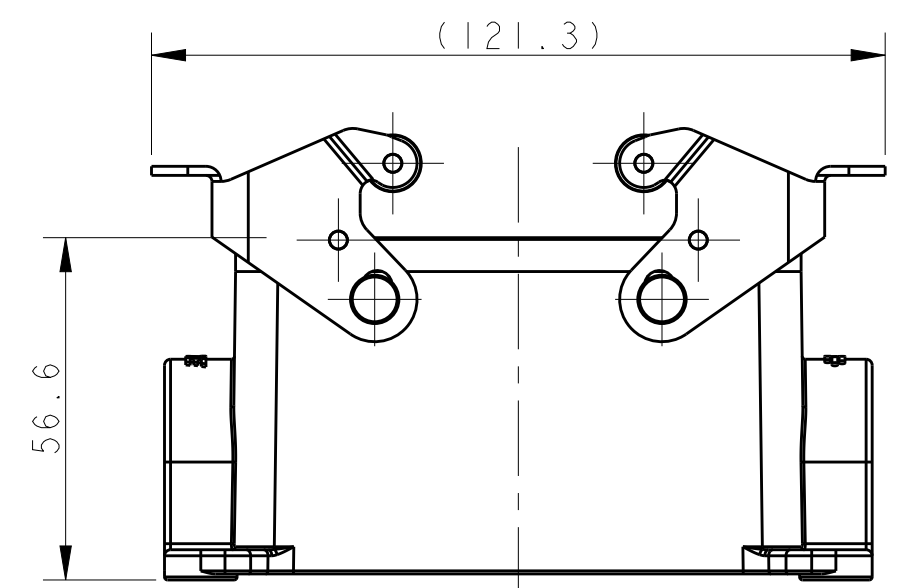
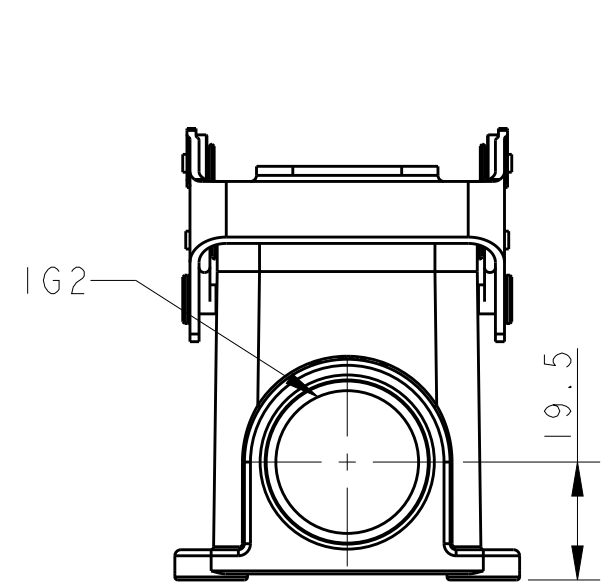
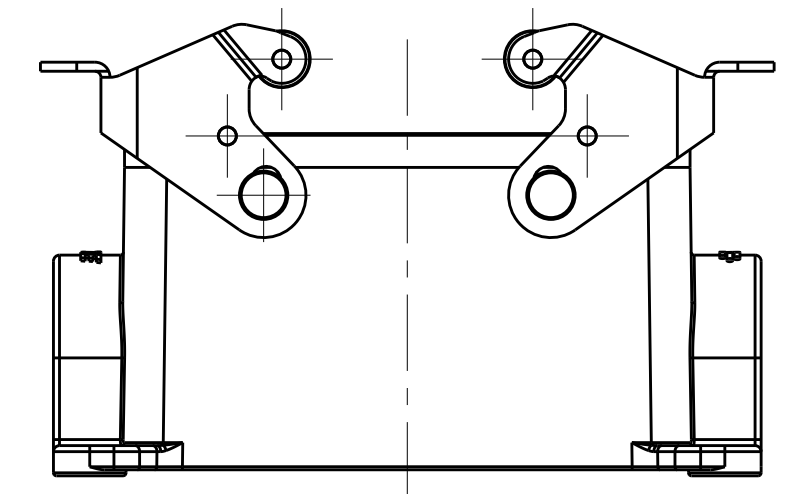
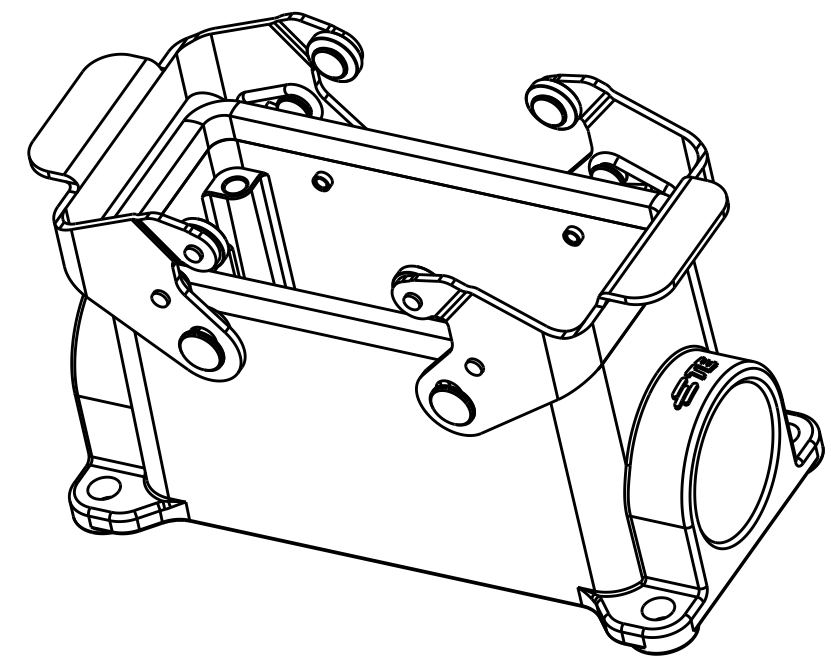
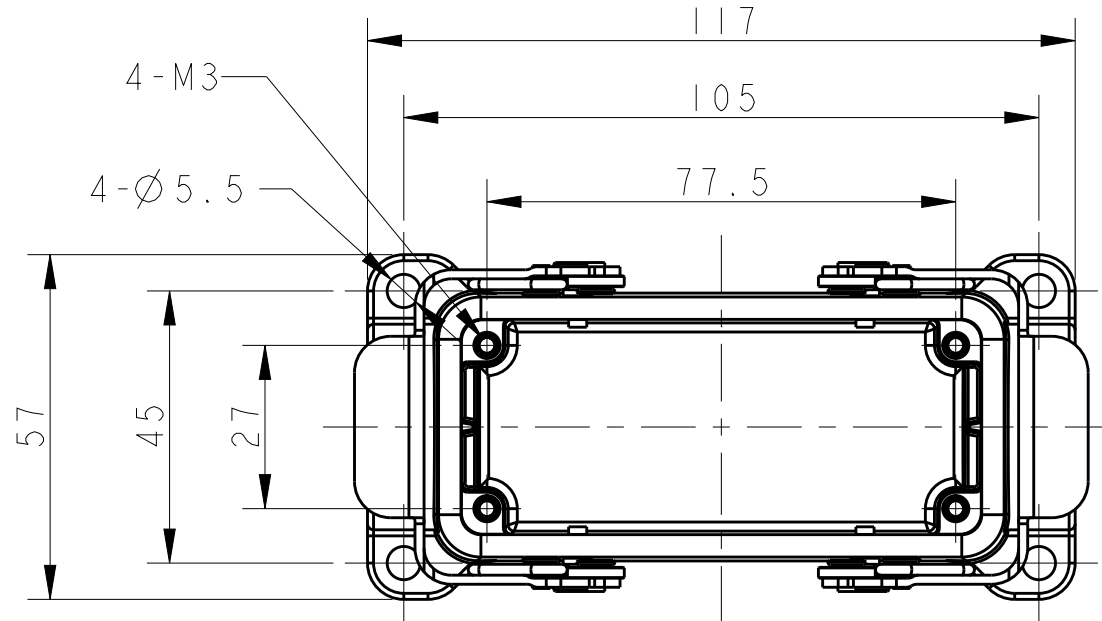


THIS DRAWING IS UNPUBLISHED. RELEASED FOR PUBLICATION 20
 © COPYRIGHT 20 BY - ALL RIGHTS RESERVED.

| REVISIONS | | | | | |
|-----------|-----|-----------------|-----------|-----|------|
| P | LTR | DESCRIPTION | DATE | DWN | APVD |
| | A | INITIAL RELEASE | 19JUN2015 | DL | CW |
| | | | | | |
| | | | | | |

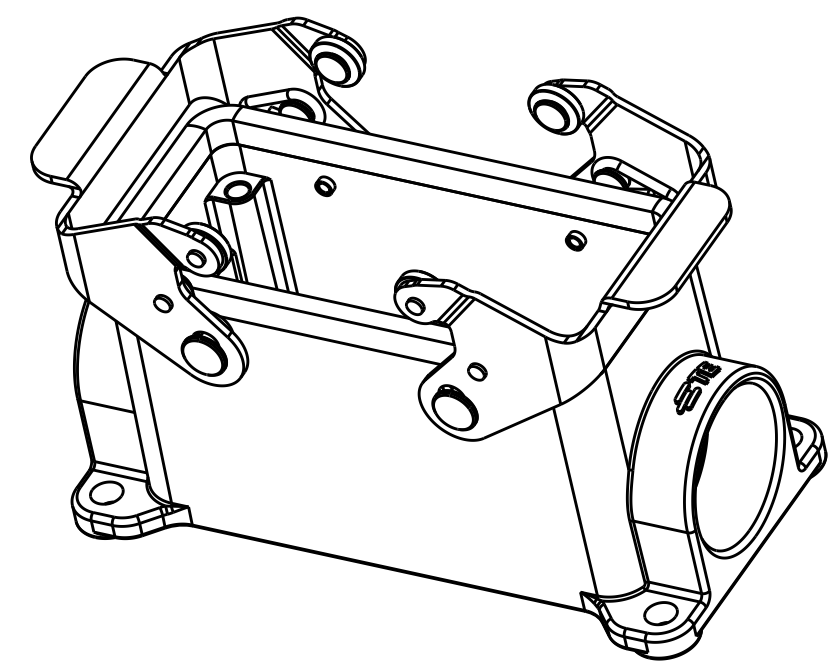


TYPE 1: BODY + STAINLESS STEEL LOCKING

TYPE 3: BODY + STAINLESS STEEL LOCKING
 BOTTOM CUT OUT
 OTHER SPEC REFER TO TYPE 1

NOTES:
 1. TECHNICAL CHARACTERISTICS:
 BODY MATERIAL: DIE CAST ALUMINIUM ALLOY
 SURFACE TREATMENT: POWDER-COATED, COLOR SEE TABLE
 OPERATION TEMPERATURE: -40-+125°C
 DEGREE OF PROTECTION: IP65 (MATED)

注释:
 1. 技术参数:
 主体材料: 铝合金
 表面处理: 粉末喷涂, 颜色见表格
 工作温度: -40-+125°C
 防护等级: IP65(配合)



TYPE 2: BODY + STAINLESS STEEL LOCKING
 SILVER WHITE COATED
 OTHER SPEC REFER TO TYPE 1

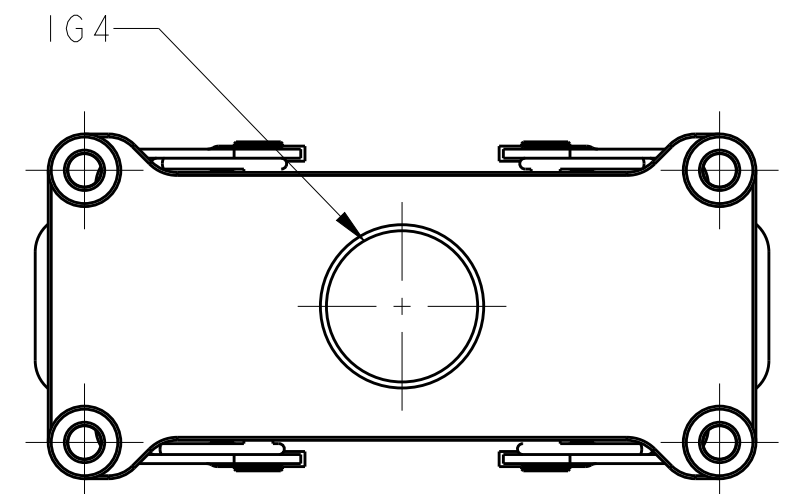
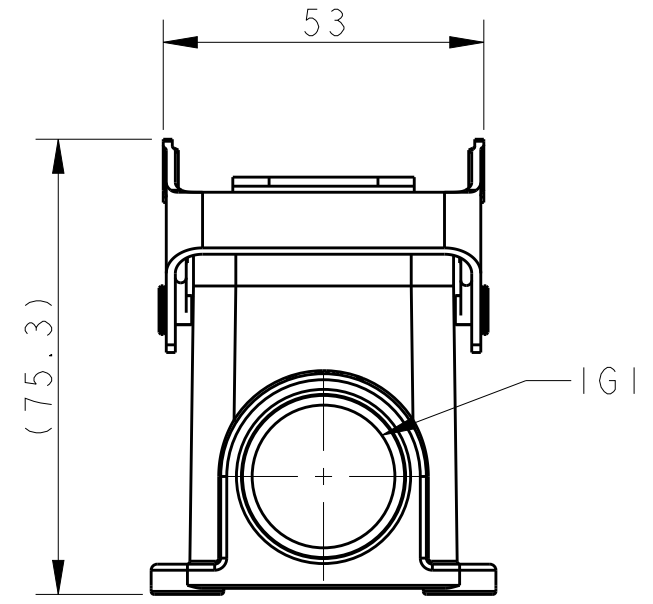
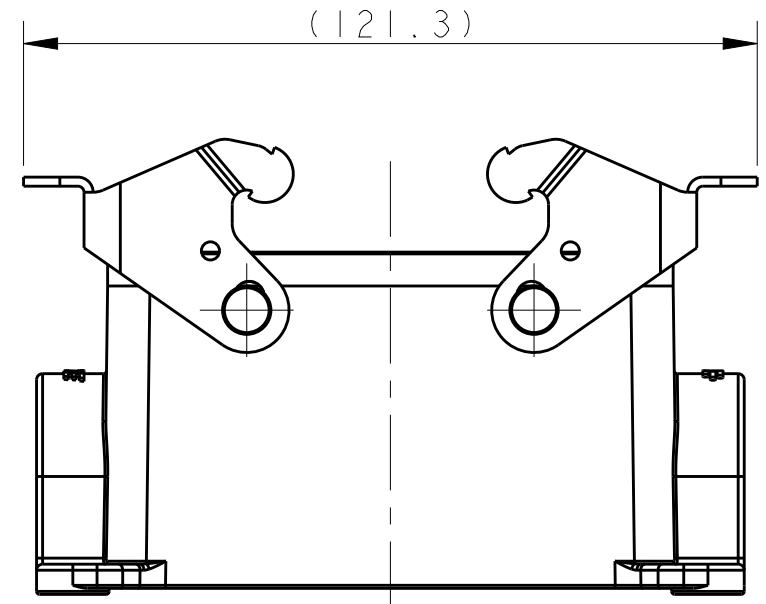
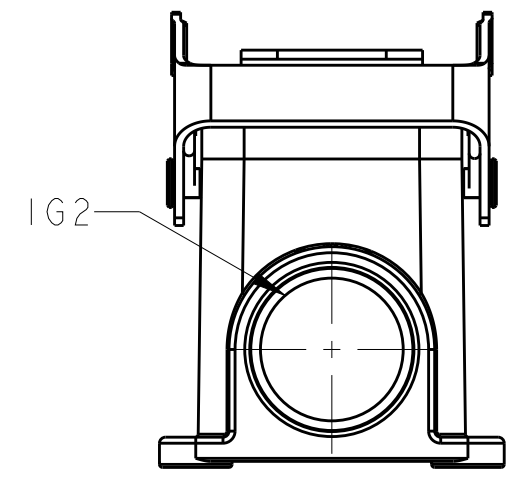
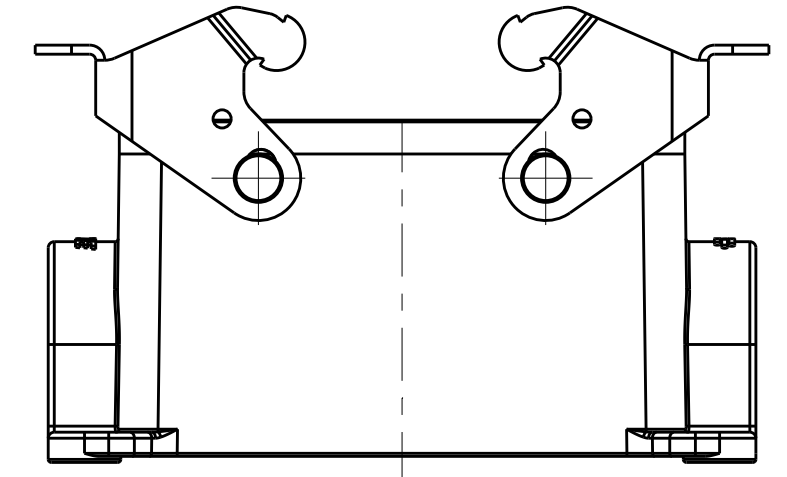
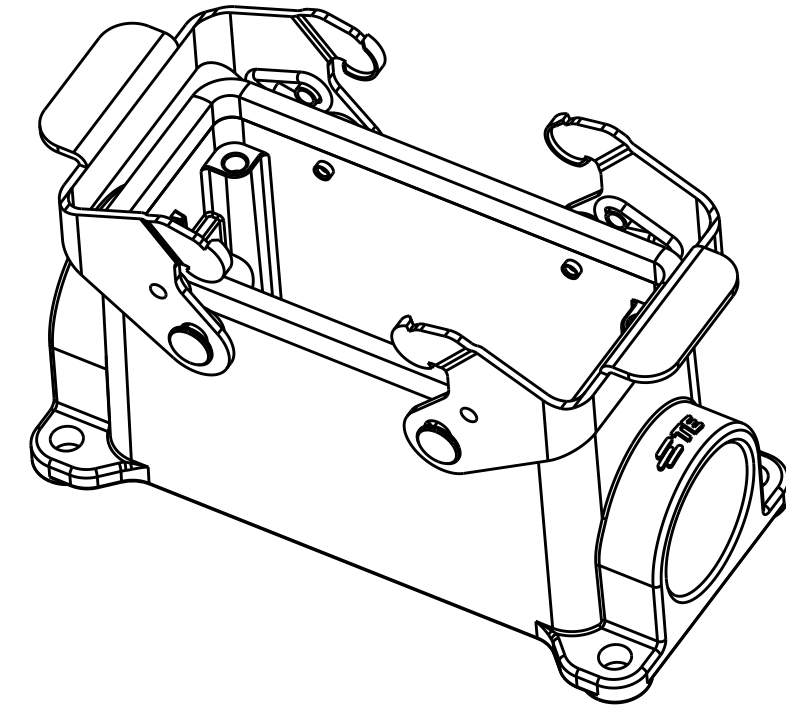
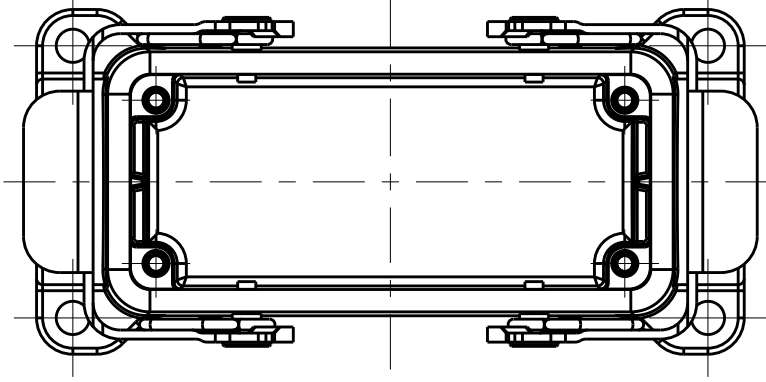
| ASSEMBLY PART NUMBER | TYPE | ASSEMBLY PART DESCRIPTION | COLOR | IG1 | IG2 |
|----------------------|--------|---------------------------|--------------|------|------|
| TI440161121-000 | TYPE 1 | HI6B-SGRS-PG21 | GRAY | PG21 | - |
| TI440161125-000 | | HI6B-SGRS-M25 | | M25 | - |
| TI440161221-000 | | HI6B-SGRS-2PG21 | | PG21 | PG21 |
| TI440161225-000 | | HI6B-SGRS-2M25 | | M25 | M25 |
| TI440161121-100 | TYPE 2 | HI6B-SGRS-PG21 | SILVER WHITE | PG21 | - |
| TI440160000-000 | TYPE 3 | HI6B-SGRS-T | GRAY | - | - |

THIS DRAWING IS A CONTROLLED DOCUMENT.

| | | | |
|----------------|--|-----------------------------|------------------------------|
| DIMENSIONS: mm | TOLERANCES UNLESS OTHERWISE SPECIFIED: | DWN DAVID LI 19JUN2015 | TE Connectivity |
| | 0 PLC ± | CHK CHRIS WANG 19JUN2015 | |
| | 1 PLC ± | APVD XU XIANG 19JUN2015 | |
| | 2 PLC ± | NAME HI6B-SGRS-PG/M | |
| MATERIAL TBD | FINISH - | PRODUCT SPEC 108-137013 | SIZE A2 |
| | | APPLICATION SPEC 114-137013 | CAGE CODE - |
| | | WEIGHT - | DRAWING NO. C-TI44016XXXXX00 |
| | | CUSTOMER DRAWING | RESTRICTED TO - |
| | | | SCALE 4:5 SHEET 1 OF 2 REV A |

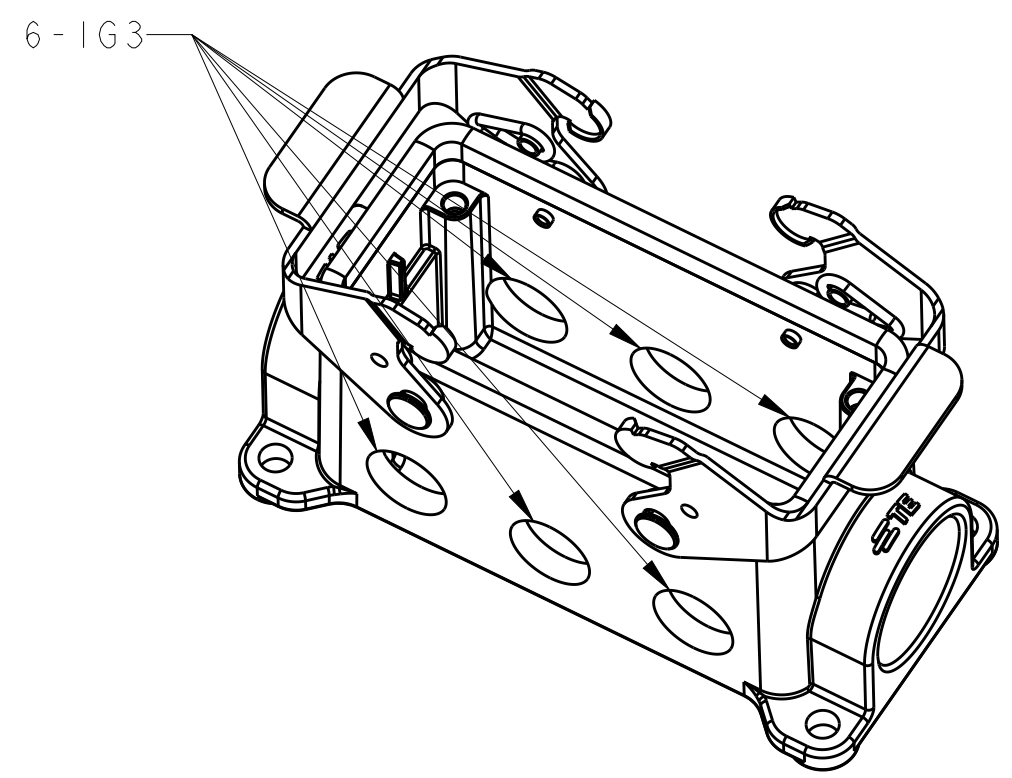
THIS DRAWING IS UNPUBLISHED. RELEASED FOR PUBLICATION 20
 © COPYRIGHT 20 BY - ALL RIGHTS RESERVED.

| REVISIONS | | | | |
|-----------|-----|-------------|------|------|
| P | LTR | DESCRIPTION | DATE | APVD |
| - | | SEE SHEET 1 | - | - |
| | | | | |
| | | | | |



TYPE 4: BODY + STEEL LOCKING
 OTHER SPEC REFER TO TYPE 1

TYPE 6: BODY + STEEL LOCKING
 BOTTOM 1 HOLE
 OTHER SPEC REFER TO TYPE 4



TYPE 5: BODY+ STEEL LOCKING
 FRONT/BACK 6 HOLE
 OTHER SPEC REFER TO TYPE 4

| ASSEMBLY PART NUMBER | TYPE | ASSEMBLY PART DESCRIPTION | COLOR | IG1 | IG2 | IG3 | IG4 |
|----------------------|--------|---------------------------|-------|------|------|-----|-----|
| TI440162121-000 | TYPE 4 | HI6B-SGR-PG21 | GRAY | PG21 | - | - | - |
| TI440162125-000 | | HI6B-SGR-M25 | | M25 | - | - | - |
| TI440162221-000 | | HI6B-SGR-2PG21 | | PG21 | PG21 | - | - |
| TI440162225-000 | | HI6B-SGR-2M25 | | M25 | M25 | - | - |
| TI440161625-000 | | HI6B-SGR-M25/PG16 | | M25 | PG16 | - | - |
| TI440162521-000 | | HI6B-SGR-M25/PG21 | | M25 | PG21 | - | - |
| TI440162532-000 | | HI6B-SGR-M25/M32 | | M25 | M32 | - | - |
| TI440162609-000 | TYPE 5 | HI6B-SGR-6PG9 | - | - | PG9 | - | |
| TI440165125-000 | TYPE 6 | HI6B-SGR-TM25 | - | - | - | M25 | |

THIS DRAWING IS A CONTROLLED DOCUMENT.

| | |
|--|-----------------------------|
| DWN DAVID LI 19JUN2015 | TE Connectivity |
| CHK CHRIS WANG 19JUN2015 | |
| APVD XU XIANG 19JUN2015 | |
| NAME HI6B-SGR-PG/M | |
| DIMENSIONS: mm | PRODUCT SPEC 108-137013 |
| TOLERANCES UNLESS OTHERWISE SPECIFIED: | APPLICATION SPEC 114-137013 |
| 0 PLC ± | WEIGHT - |
| 1 PLC ± | CUSTOMER DRAWING |
| 2 PLC ± | SCALE 4:5 |
| 3 PLC ± | SHEET 2 OF 2 |
| 4 PLC ± | REV A |
| ANGLES ± | |
| FINISH - | |

X-ON Electronics

Largest Supplier of Electrical and Electronic Components

Click to view similar products for [Heavy Duty Power Connectors](#) category:

Click to view products by [TE Connectivity](#) manufacturer:

Other Similar products are found below :

[1424439](#) [1424438](#) [09330062652](#) [2-8675P1](#) [605601-1](#) [6340G1](#) [6341G1](#) [6360G1](#) [6373G1](#) [6374g2](#) [6396G1](#) [647757-1](#) [66394-4](#) [6643411-1](#)
[6646058-2](#) [6646137-1](#) [6646138-1](#) [6646348-1](#) [6646479-1](#) [6646608-1](#) [6646786-1](#) [6646940-1](#) [6651091-1](#) [6651525-1](#) [6651529-1](#) [6651778-1](#)
[6651788-1](#) [696465-1](#) [696475-1](#) [73000005059](#) [73000005349](#) [73000005642](#) [73080255059](#) [73080965046](#) [765-15-0080A](#) [765-16-0080B](#)
[789.700-44](#) [789.700-54](#) [80-1010](#) [80-9](#) [827381-1](#) [829992-1](#) [902-77-02113](#) [PL00U-301-10D10](#) [PM103MOOLOO](#) [PM16S1620S32-50](#)
[PM212MOOLOO](#) [PM309FOOLOO](#) [PM324FOOLCH](#) [PMHPAF11S03](#)