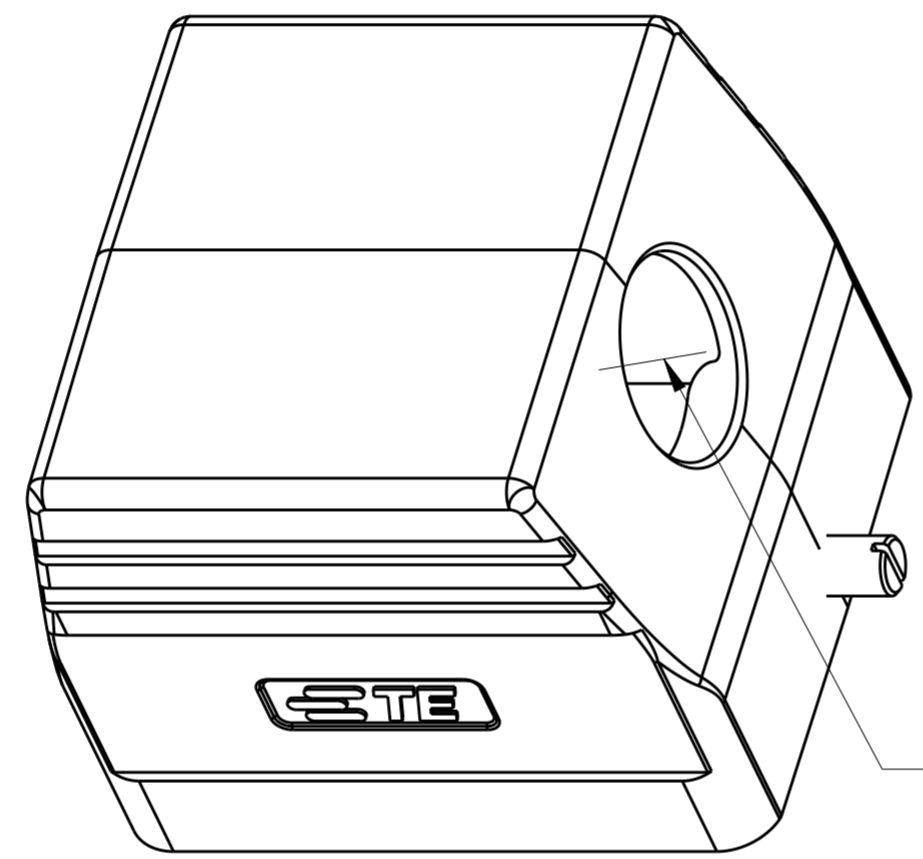
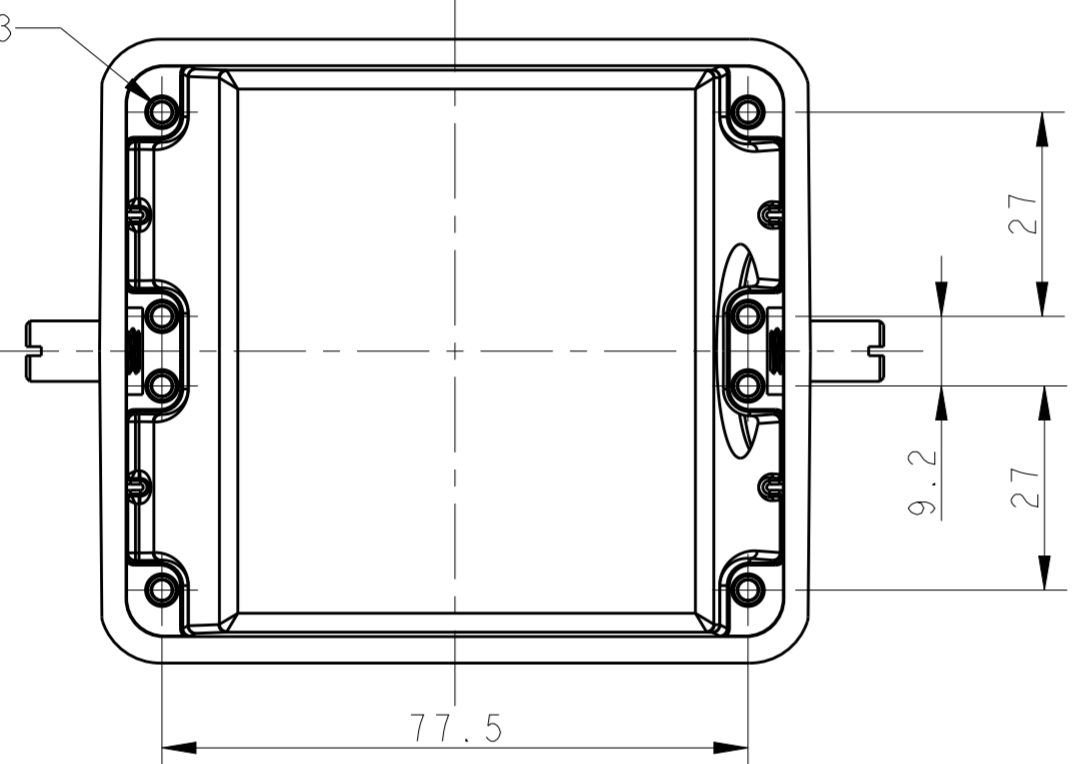
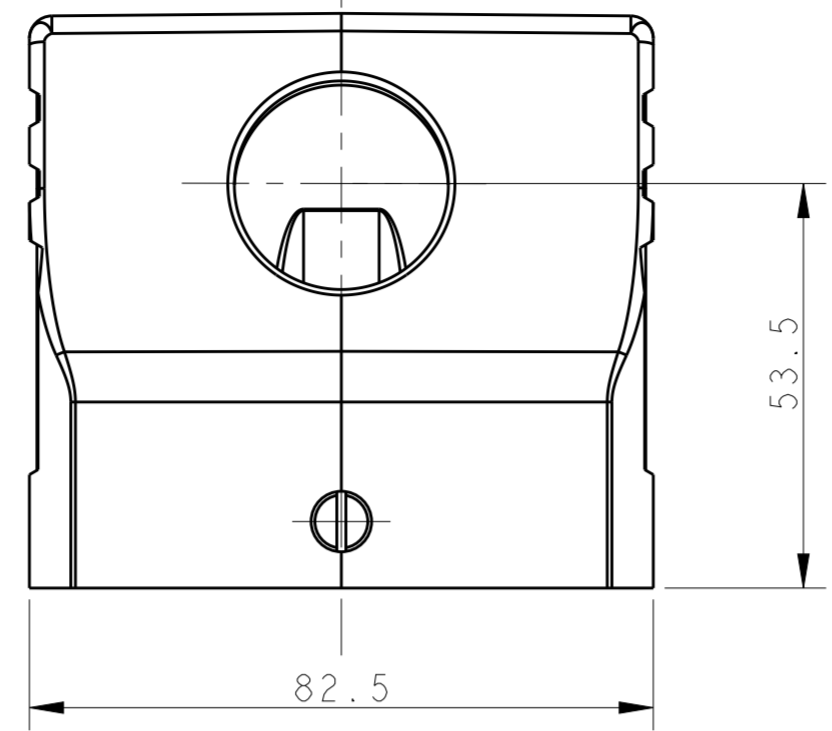
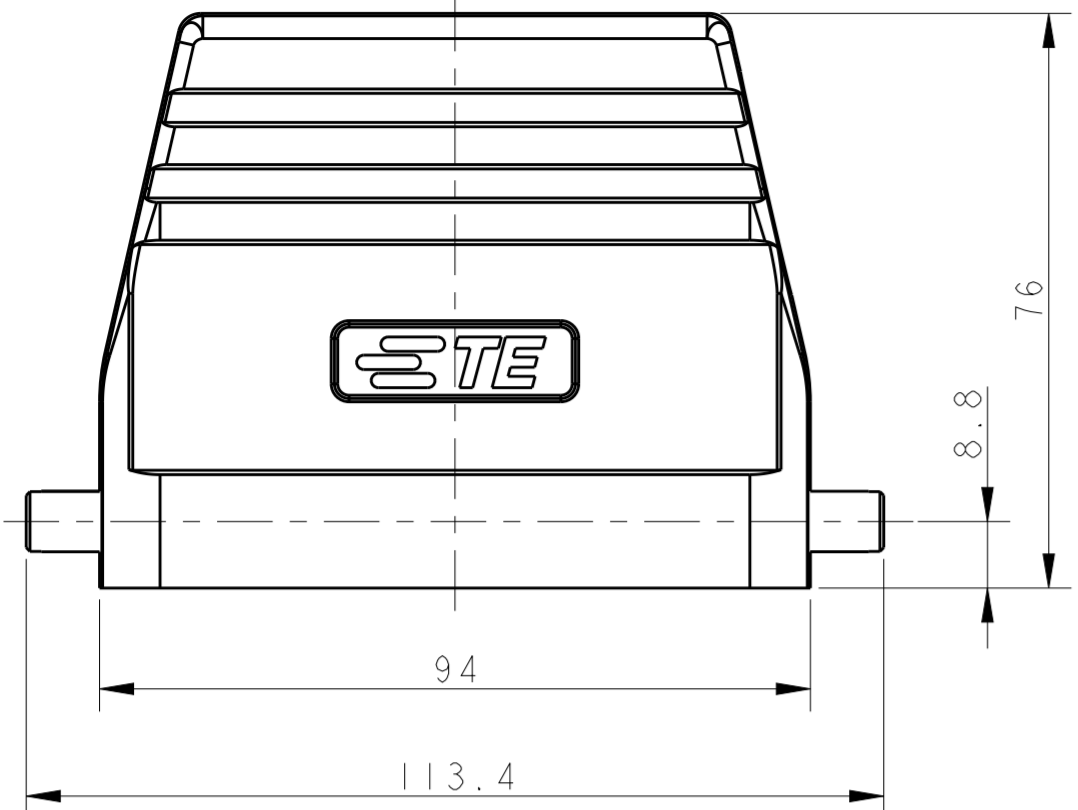
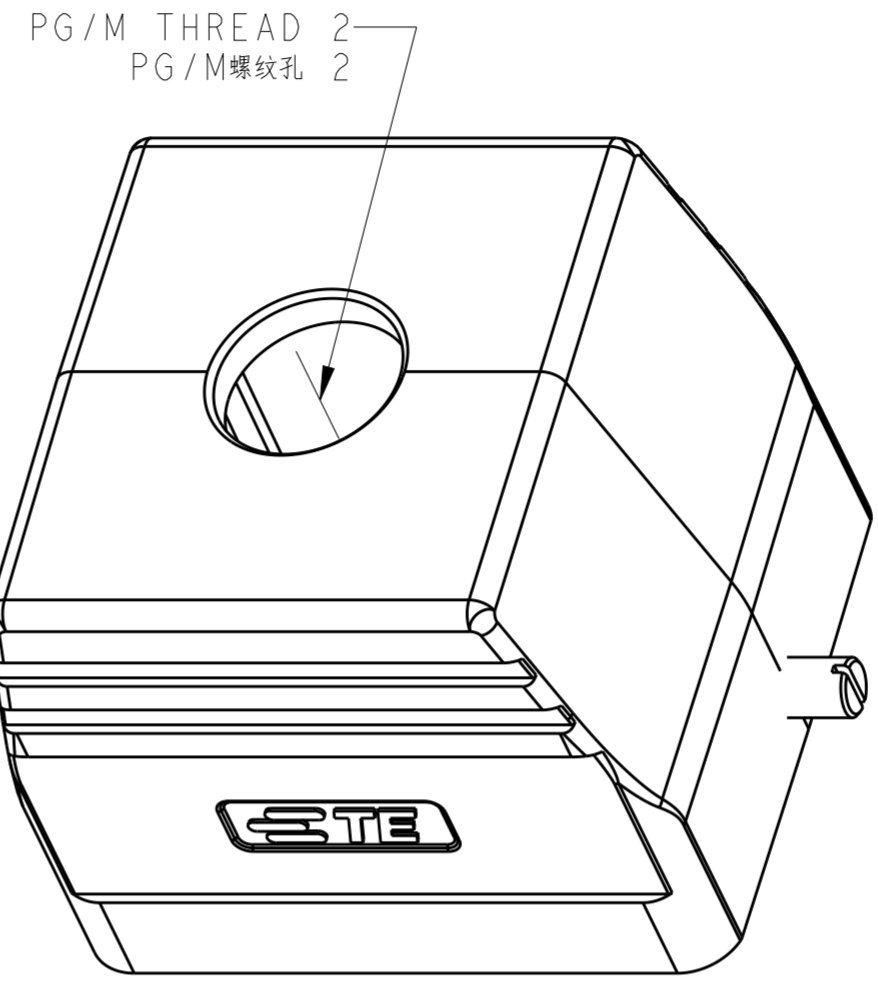


THIS DRAWING IS UNPUBLISHED. RELEASED FOR PUBLICATION 20
 © COPYRIGHT 20 BY - ALL RIGHTS RESERVED.

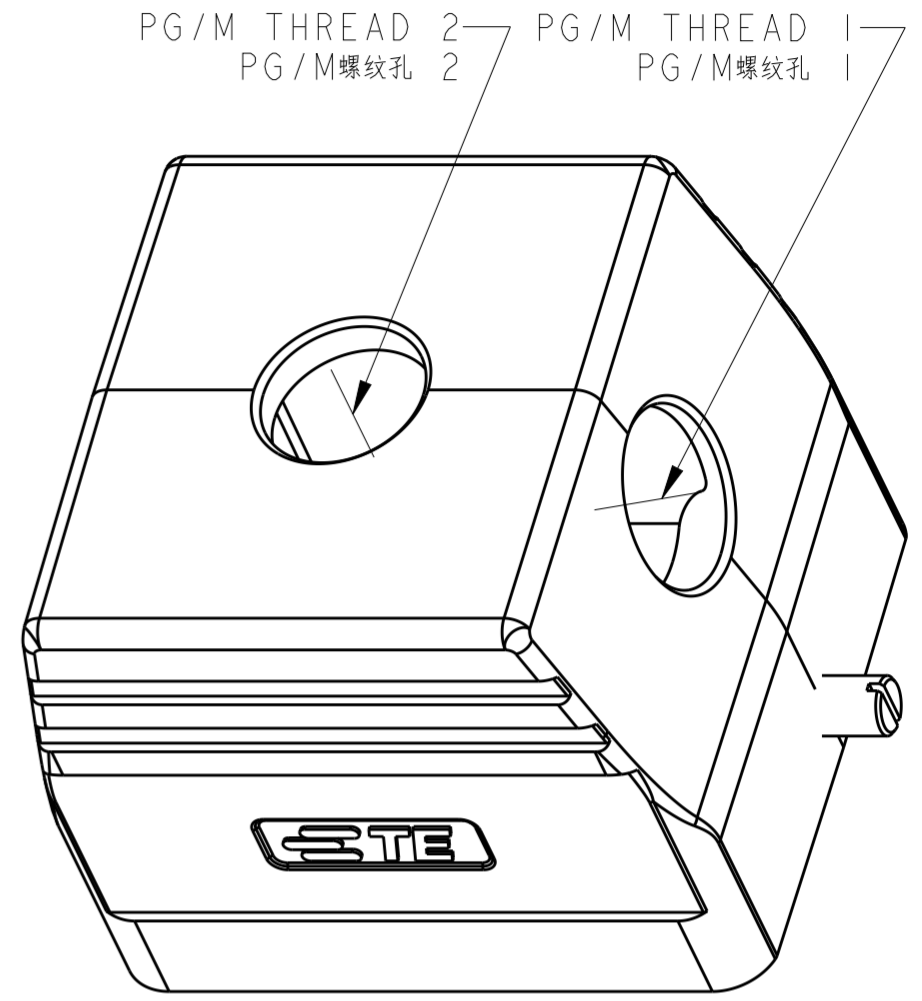
REVISIONS					
P	LTR	DESCRIPTION	DATE	DWN	APVD
A		INITIAL RELEASE	02JUN2015	DL	CW
AI		ECR-18-004153	08AUG2018	GY	CW



TYPE 1: SIDE ENTRY
类型1: 侧出



TYPE 2: TOP ENTRY, UNDEFINED DIMENSIONS REFER TO TYPE 1.
类型2: 顶出, 未定义尺寸&规格参照类型1。



TYPE 3: SIDE/TOP ENTRY, UNDEFINED DIMENSIONS REFER TO TYPE 1.
类型3: 侧/顶出, 未定义尺寸&规格参照类型1。

NOTES:
 1. TECHNICAL CHARACTERISTICS:
 BODY MATERIAL: DIE CAST ALUMINIUM ALLOY
 SURFACE TREATMENT: POWDER-COATED, GRAY
 OPERATION TEMPERATURE: -40-+125°C
 DEGREE OF PROTECTION: IP65 (MATED)

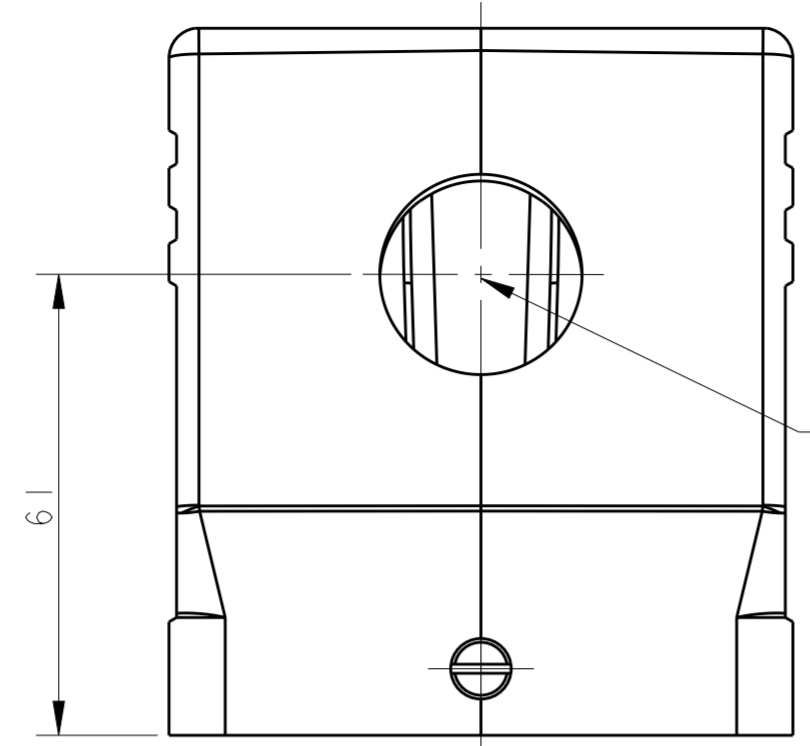
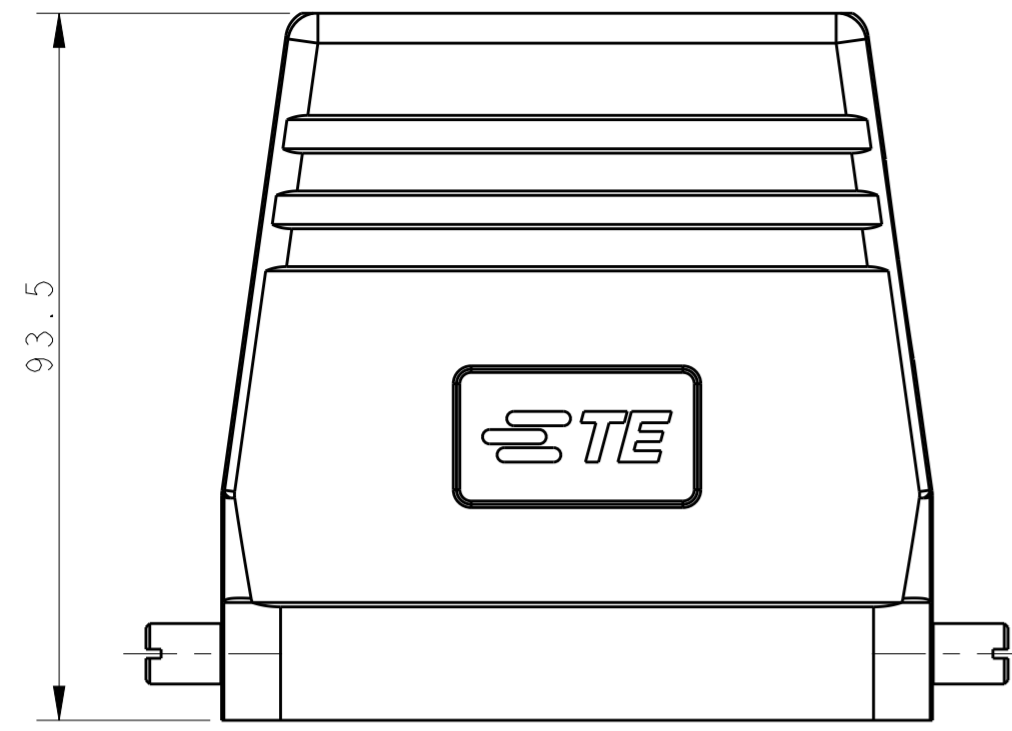
注释:
 1. 技术参数:
 主体材料: 铝合金
 表面处理: 粉末喷涂, 灰色
 工作温度: -40-+125°C
 防护等级: IP65(配合)

PART NUMBER 料号	PART DESCRIPTION 描述	PG/M THREAD 1 PG/M螺纹孔1	PG/M THREAD 2 PG/M螺纹孔2	TYPE 类型
T1310320121-000	H32B-TS-RO-PG21 H32B上壳, 侧出PG21, 2耳, 灰色粉末喷涂	PG21	-	TYPE 1 类型1
T1310320129-000	H32B-TS-RO-PG29 H32B上壳, 侧出PG29, 2耳, 灰色粉末喷涂	PG29	-	
T1310320132-000	H32B-TS-RO-M32 H32B上壳, 侧出M32, 2耳, 灰色粉末喷涂	M32	-	
T1310320136-000	H32B-TS-RO-PG36 H32B上壳, 侧出PG36, 2耳, 灰色粉末喷涂	PG36	-	
T1310320140-000	H32B-TS-RO-M40 H32B上壳, 侧出M40, 2耳, 灰色粉末喷涂	M40	-	TYPE 2 类型2
T1320320121-000	H32B-TG-RO-PG21 H32B上壳, 顶出PG21, 2耳, 灰色粉末喷涂	-	PG21	
T1320320125-000	H32B-TG-RO-M25 H32B上壳, 顶出M25, 2耳, 灰色粉末喷涂	-	M25	
T1320320129-000	H32B-TG-RO-PG29 H32B上壳, 顶出PG29, 2耳, 灰色粉末喷涂	-	PG29	
T1320320132-000	H32B-TG-RO-M32 H32B上壳, 顶出M32, 2耳, 灰色粉末喷涂	-	M32	TYPE 3 类型3
T1320320136-000	H32B-TG-RO-PG36 H32B上壳, 顶出PG36, 2耳, 灰色粉末喷涂	-	PG36	
T1320320140-000	H32B-TG-RO-M40 H32B上壳, 顶出M40, 2耳, 灰色粉末喷涂	-	M40	
T1320320142-000	H32B-TG-RO-PG42 H32B上壳, 顶出PG42, 2耳, 灰色粉末喷涂	-	PG42	
T1320320150-000	H32B-TG-RO-M50 H32B上壳, 顶出M50, 2耳, 灰色粉末喷涂	-	M50	TYPE 3 类型3
T1320320163-000	H32B-TG-RO-M63 H32B上壳, 顶出M63, 2耳, 灰色粉末喷涂	-	M63	
T1320320225-000	H32B-TG-RO-2M25 H32B上壳, 侧顶出M25, 2耳, 灰色粉末喷涂	M25	M25	

THIS DRAWING IS A CONTROLLED DOCUMENT.		DWN DAVID LI 02JUN2015	TE Connectivity	
DIMENSIONS: mm		CHK CHRIS WANG 02JUN2015		
TOLERANCES UNLESS OTHERWISE SPECIFIED:		APVD XU XIANG 02JUN2015	NAME H32B-TS/TG/TSH/TGH-RO-M/PG	
		PRODUCT SPEC 108-137013	RESTRICTED TO	
MATERIAL		APPLICATION SPEC 114-137013	SIZE A200779	CAGE CODE C-T13X0320XXX000
FINISH		WEIGHT	SCALE 1:1	SHEET 1 OF 2
		CUSTOMER DRAWING	REV AI	

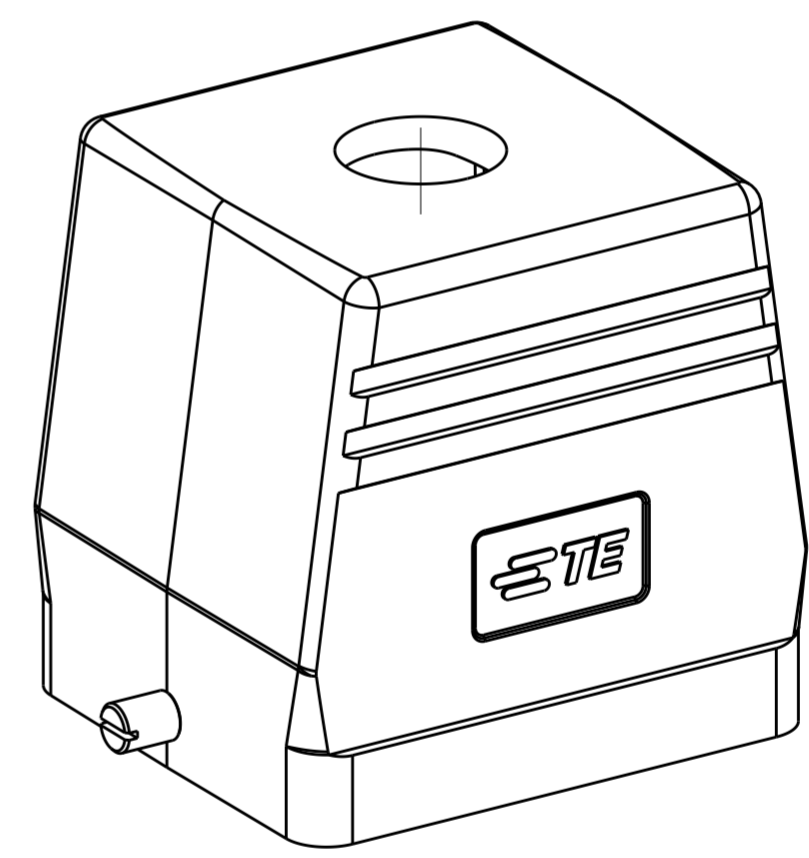
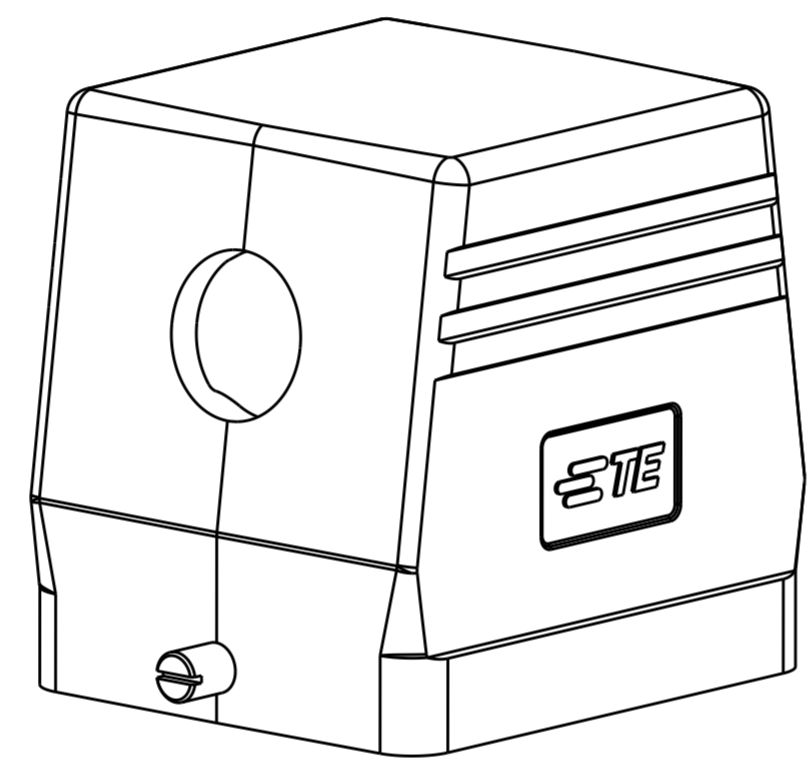
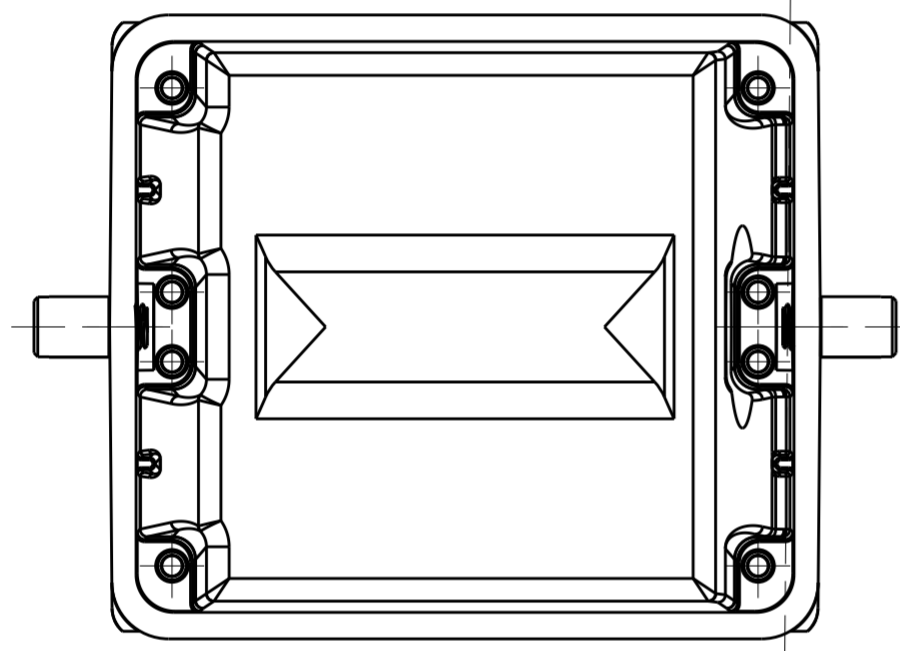
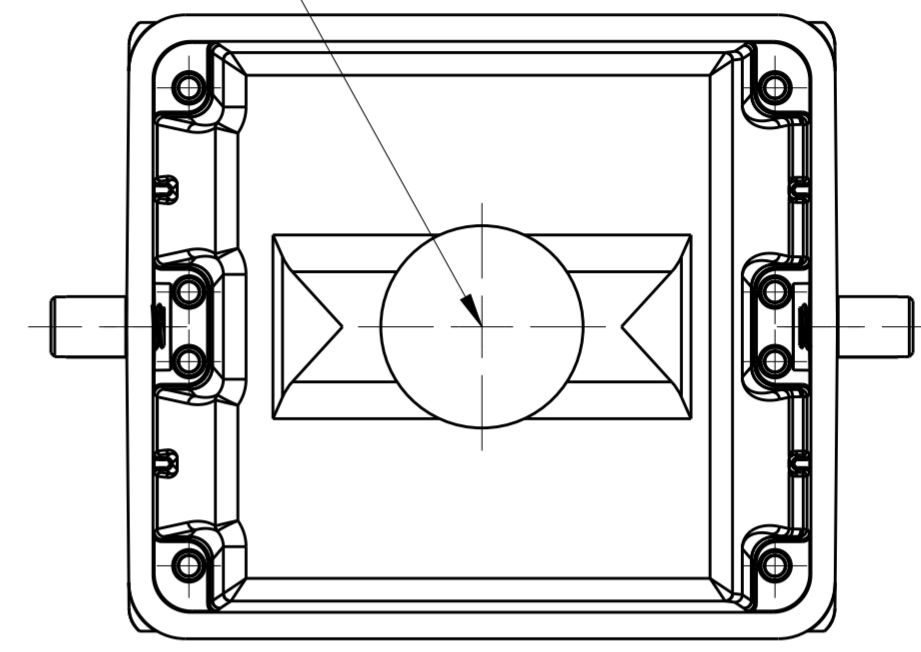
THIS DRAWING IS UNPUBLISHED. RELEASED FOR PUBLICATION 20
 © COPYRIGHT 20 BY - ALL RIGHTS RESERVED.

REVISIONS				
P	LTR	DESCRIPTION	DATE	APVD
		SEE SHEET 1		



PG/M THREAD 4
PG/M螺纹孔 4

PG/M THREAD 5
PG/M螺纹孔 5



TYPE 4: HIGH CONSTRUCTION, SIDE ENTRY, UNDEFINED DIMENSIONS REFER TO TYPE 1.
 类型4: 高结构, 侧出, 未定义尺寸 & 规格参照类型1.

TYPE 5: HIGH CONSTRUCTION, TOP ENTRY, UNDEFINED DIMENSIONS REFER TO TYPE 4.
 类型5: 高结构, 顶出, 未定义尺寸 & 规格参照类型4.

PART NUMBER	PART DESCRIPTION	PG/M THREAD 4	PG/M THREAD 5	TYPE
T1330320121-000	H32B-TSH-RO-PG21 H32B上壳, 侧出PG21, 2耳, 高结构, 灰色粉末喷涂	PG21	-	TYPE 4 类型4
T1330320129-000	H32B-TSH-RO-PG29 H32B上壳, 侧出PG29, 2耳, 高结构, 灰色粉末喷涂	PG29	-	
T1330320132-000	H32B-TSH-RO-M32 H32B上壳, 侧出M32, 2耳, 高结构, 灰色粉末喷涂	M32	-	
T1330320136-000	H32B-TSH-RO-PG36 H32B上壳, 侧出PG36, 2耳, 高结构, 灰色粉末喷涂	PG36	-	
T1330320140-000	H32B-TSH-RO-M40 H32B上壳, 侧出M40, 2耳, 高结构, 灰色粉末喷涂	M40	-	TYPE 5 类型5
T1340320121-000	H32B-TGH-RO-PG21 H32B上壳, 顶出PG21, 2耳, 高结构, 灰色粉末喷涂	-	PG21	
T1340320125-000	H32B-TGH-RO-M25 H32B上壳, 顶出M25, 2耳, 高结构, 灰色粉末喷涂	-	M25	
T1340320129-000	H32B-TGH-RO-PG29 H32B上壳, 顶出PG29, 2耳, 高结构, 灰色粉末喷涂	-	PG29	
T1340320132-000	H32B-TGH-RO-M32 H32B上壳, 顶出M32, 2耳, 高结构, 灰色粉末喷涂	-	M32	
T1340320136-000	H32B-TGH-RO-PG36 H32B上壳, 顶出PG36, 2耳, 高结构, 灰色粉末喷涂	-	PG36	
T1340320140-000	H32B-TGH-RO-M40 H32B上壳, 顶出M40, 2耳, 高结构, 灰色粉末喷涂	-	M40	
T1340320142-000	H32B-TGH-RO-PG42 H32B上壳, 顶出PG42, 2耳, 高结构, 灰色粉末喷涂	-	PG42	
T1340320150-000	H32B-TGH-RO-M50 H32B上壳, 顶出M50, 2耳, 高结构, 灰色粉末喷涂	-	M50	
T1340320163-000	H32B-TGH-RO-M63 H32B上壳, 顶出M63, 2耳, 高结构, 灰色粉末喷涂	-	M63	
PART NUMBER	PART DESCRIPTION	PG/M THREAD 4	PG/M THREAD 5	TYPE
料号	描述	PG/M螺纹孔4	PG/M螺纹孔5	类型

THIS DRAWING IS A CONTROLLED DOCUMENT.

DIMENSIONS:	TOLERANCES UNLESS OTHERWISE SPECIFIED:	DWN DAVID LI 02JUN2015	TE Connectivity
mm		CHK CHRIS WANG 02JUN2015	
		APVD XU XIANG 02JUN2015	
		NAME H32B-TS/TG/TSH/TGH-RO-M/PG	
		PRODUCT SPEC 108-137013	
		APPLICATION SPEC 114-137013	
MATERIAL	FINISH	WEIGHT	SIZE CAGE CODE DRAWING NO RESTRICTED TO
-	-	-	A200779 C-T13X0320XXX000
		CUSTOMER DRAWING	SCALE 1:1 SHEET 2 OF 2 REV A1

X-ON Electronics

Largest Supplier of Electrical and Electronic Components

Click to view similar products for [Heavy Duty Power Connectors](#) category:

Click to view products by [TE Connectivity](#) manufacturer:

Other Similar products are found below :

[1424439](#) [1424438](#) [09330062652](#) [2-8675P1](#) [605601-1](#) [6340G1](#) [6341G1](#) [6360G1](#) [6373G1](#) [6374g2](#) [6396G1](#) [647757-1](#) [66394-4](#) [6643411-1](#)
[6646058-2](#) [6646137-1](#) [6646138-1](#) [6646348-1](#) [6646479-1](#) [6646608-1](#) [6646786-1](#) [6646940-1](#) [6651091-1](#) [6651525-1](#) [6651529-1](#) [6651778-1](#)
[6651788-1](#) [696465-1](#) [696475-1](#) [73000005059](#) [73000005349](#) [73000005642](#) [73080255059](#) [73080965046](#) [765-15-0080A](#) [765-16-0080B](#)
[789.700-44](#) [789.700-54](#) [80-1010](#) [80-9](#) [827381-1](#) [829992-1](#) [902-77-02113](#) [PL00U-301-10D10](#) [PM103MOOLOO](#) [PM16S1620S32-50](#)
[PM212MOOLOO](#) [PM309FOOLOO](#) [PM324FOOLCH](#) [PMHPAF11S03](#)