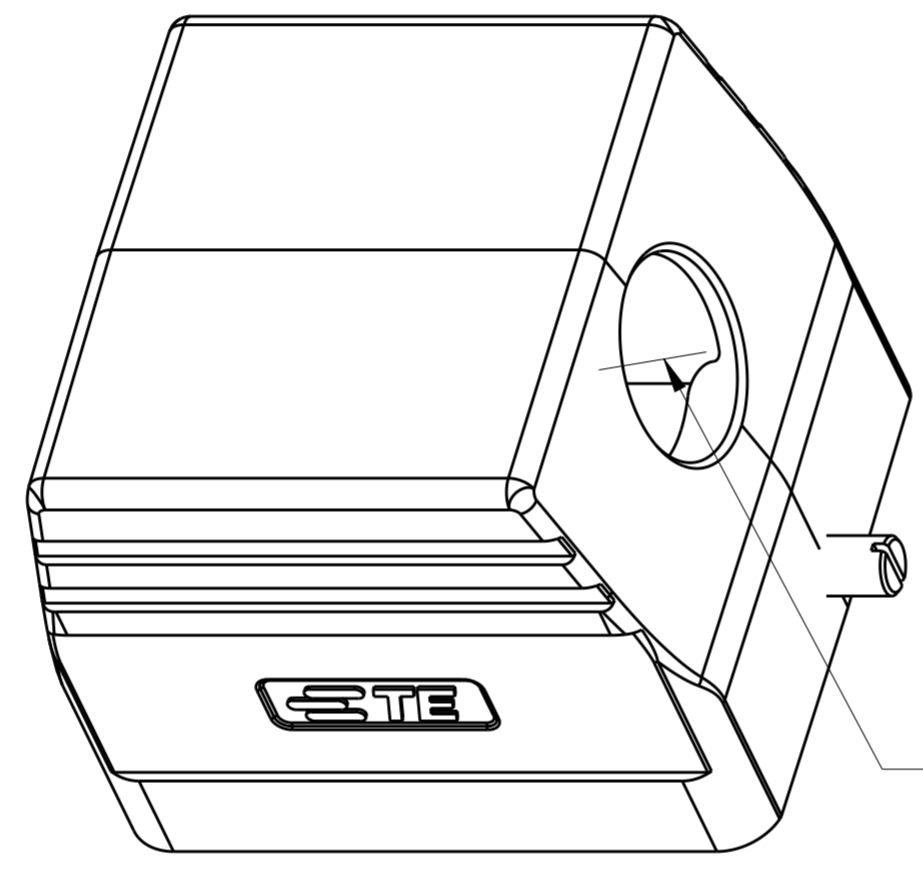
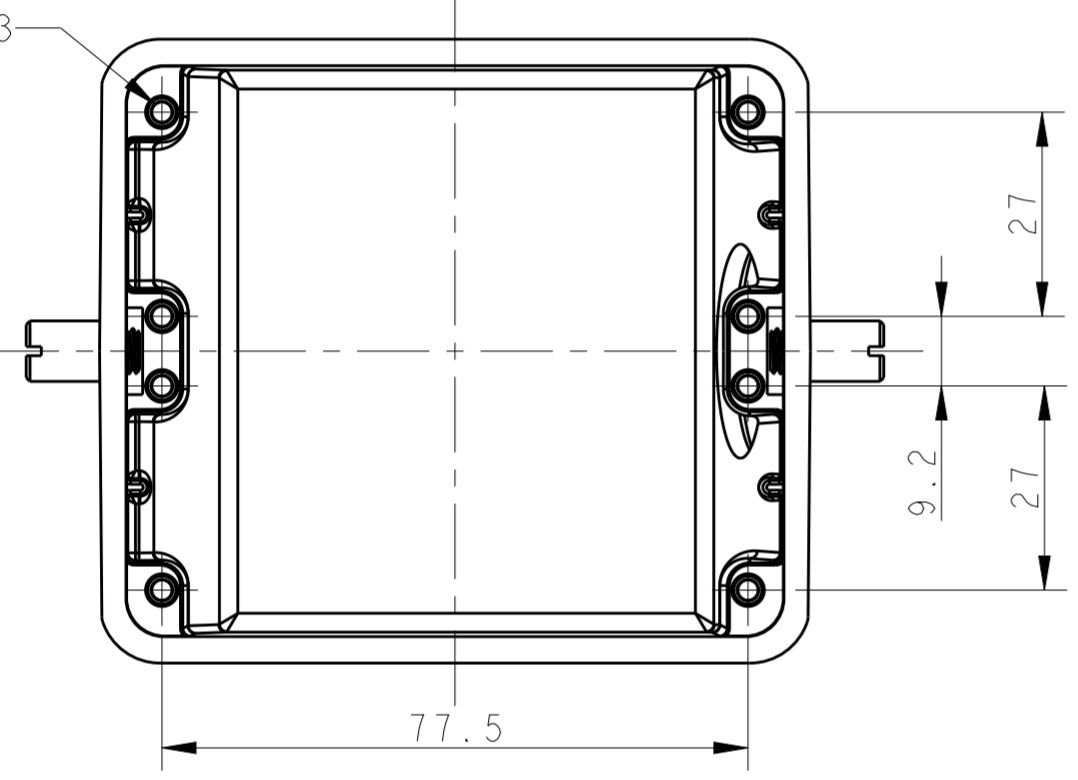
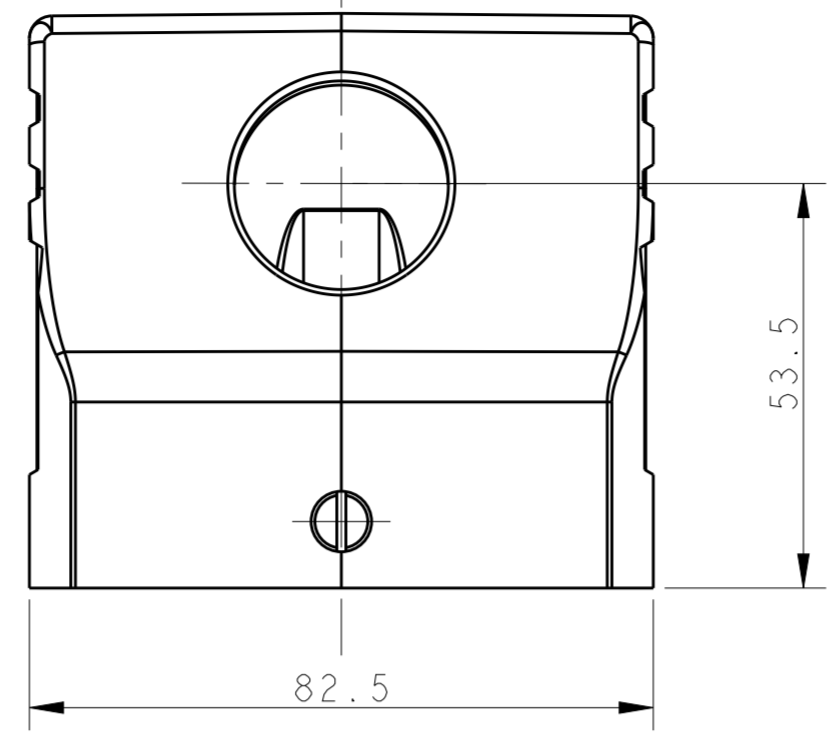
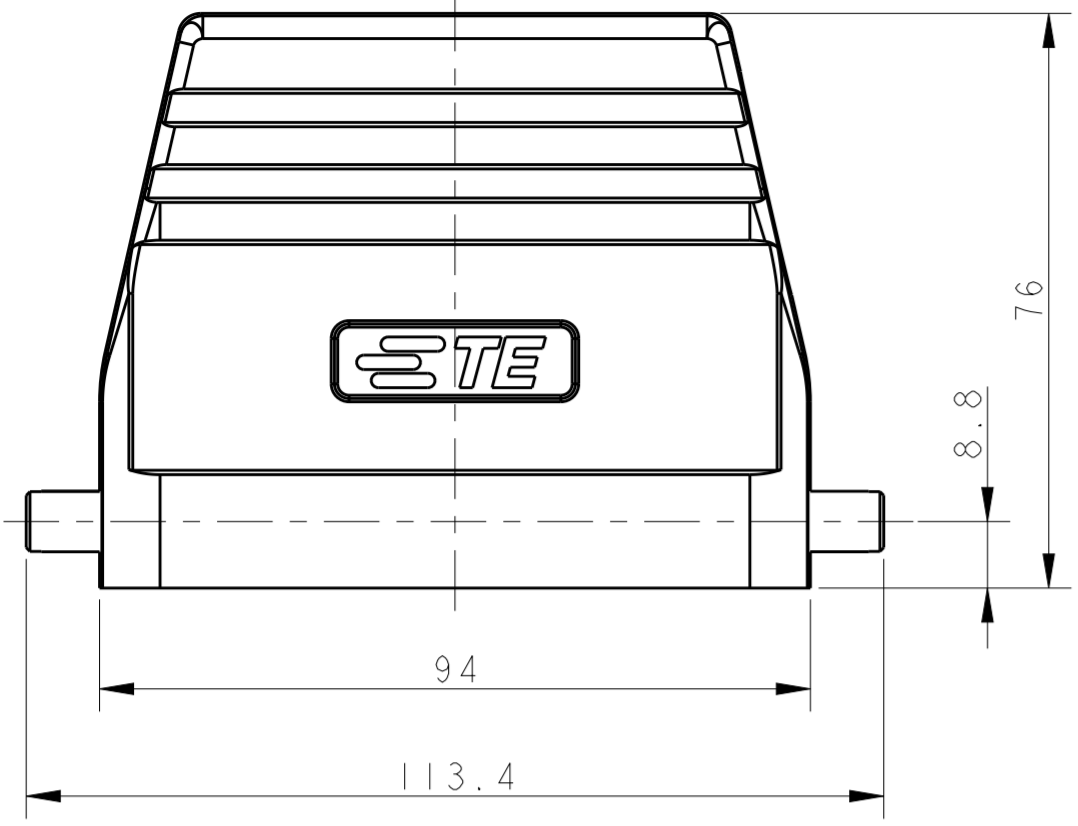
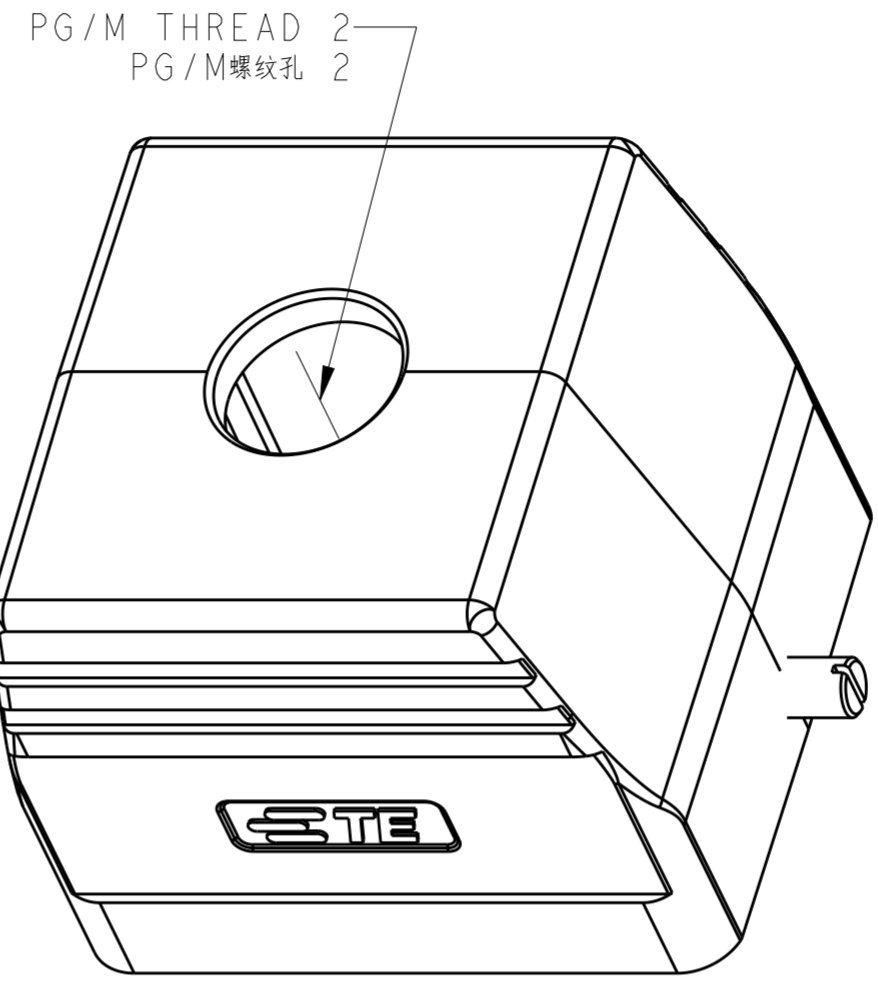


THIS DRAWING IS UNPUBLISHED. RELEASED FOR PUBLICATION 20
 © COPYRIGHT 20 BY - ALL RIGHTS RESERVED.

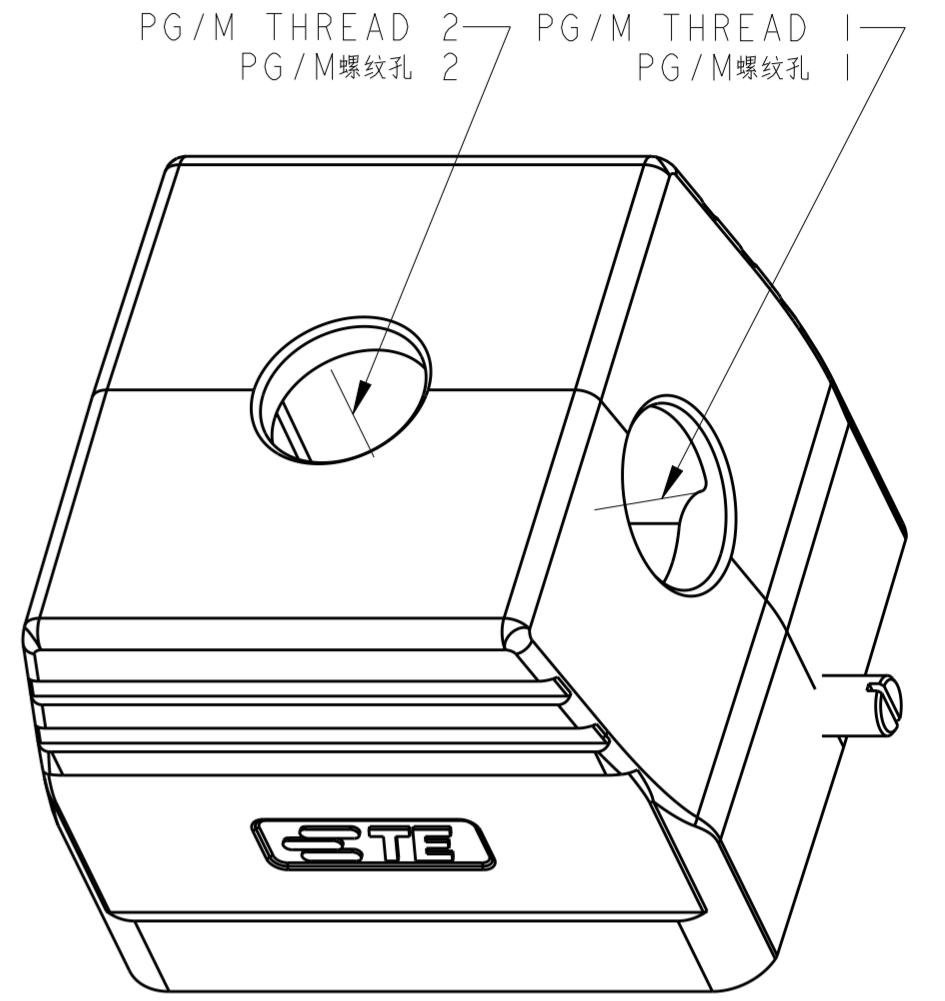
| REVISIONS | | | | | |
|-----------|-----|-----------------|-----------|-----|------|
| P | LTR | DESCRIPTION | DATE | DWN | APVD |
| A | | INITIAL RELEASE | 02JUN2015 | DL | CW |
| AI | | ECR-18-004153 | 08AUG2018 | GY | CW |



TYPE 1: SIDE ENTRY
 类型1: 侧出



TYPE 2: TOP ENTRY, UNDEFINED DIMENSIONS REFER TO TYPE 1.
 类型2: 顶出, 未定义尺寸&规格参照类型1.



TYPE 3: SIDE/TOP ENTRY, UNDEFINED DIMENSIONS REFER TO TYPE 1.
 类型3: 侧/顶出, 未定义尺寸&规格参照类型1.

PG/M THREAD 1
 PG/M螺纹孔 1

NOTES:
 1. TECHNICAL CHARACTERISTICS:
 BODY MATERIAL: DIE CAST ALUMINIUM ALLOY
 SURFACE TREATMENT: POWDER-COATED, GRAY
 OPERATION TEMPERATURE: -40-+125°C
 DEGREE OF PROTECTION: IP65 (MATED)

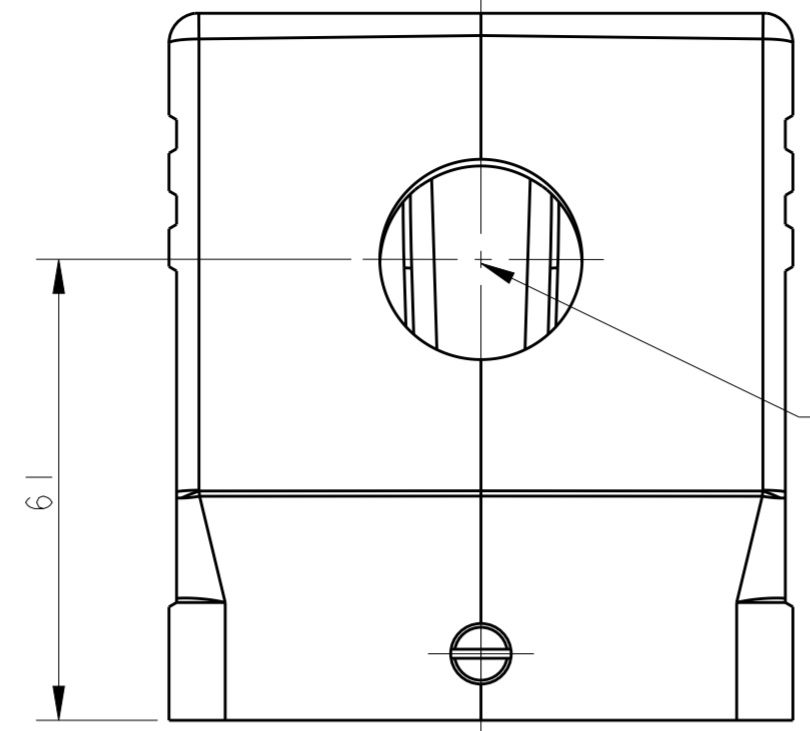
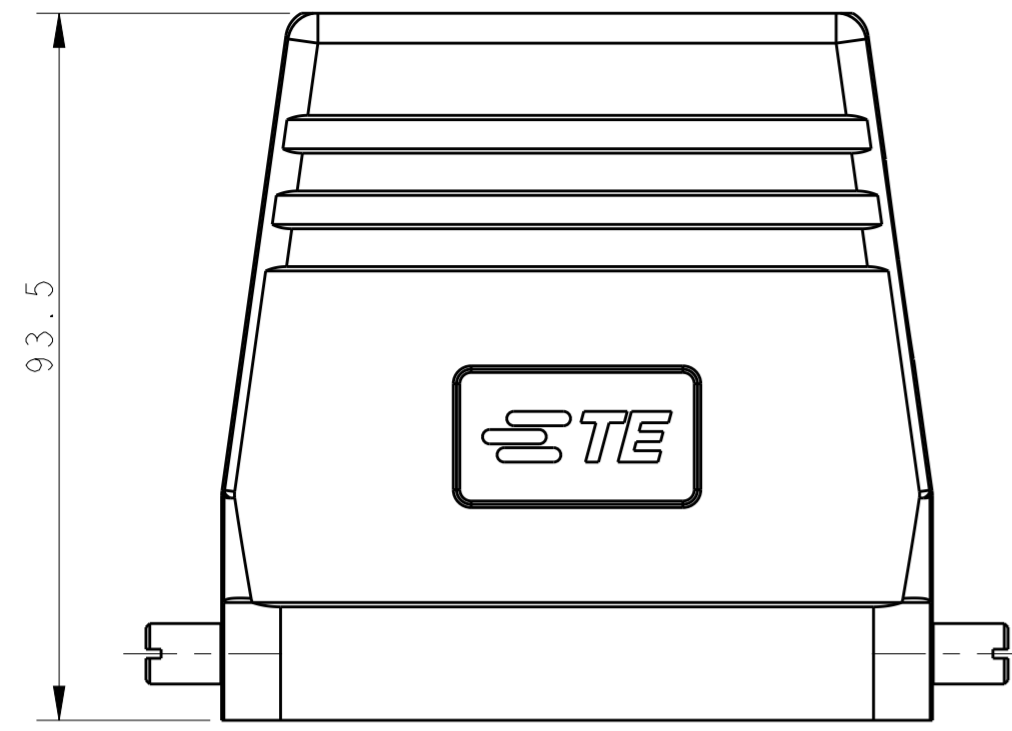
注释:
 1. 技术参数:
 主体材料: 铝合金
 表面处理: 粉末喷涂, 灰色
 工作温度: -40-+125°C
 防护等级: IP65(配合)

| PART NUMBER 料号 | PART DESCRIPTION 描述 | PG/M THREAD 1 PG/M螺纹孔1 | PG/M THREAD 2 PG/M螺纹孔2 | TYPE 类型 |
|-------------------|---|---------------------------|---------------------------|---------------|
| T1310320121-000 | H32B HOOD, SIDE ENTRY PG21, 2 EAR, POWDER COATED, GREY H32B上壳, 侧出PG21, 2耳, 灰色粉末喷涂 | PG21 | - | TYPE 1 类型1 |
| T1310320129-000 | H32B HOOD, SIDE ENTRY PG29, 2 EAR, POWDER COATED, GREY H32B上壳, 侧出PG29, 2耳, 灰色粉末喷涂 | PG29 | - | |
| T1310320132-000 | H32B HOOD, SIDE ENTRY M32, 2 EAR, POWDER COATED, GREY H32B上壳, 侧出M32, 2耳, 灰色粉末喷涂 | M32 | - | |
| T1310320136-000 | H32B HOOD, SIDE ENTRY PG36, 2 EAR, POWDER COATED, GREY H32B上壳, 侧出PG36, 2耳, 灰色粉末喷涂 | PG36 | - | |
| T1310320140-000 | H32B HOOD, SIDE ENTRY M40, 2 EAR, POWDER COATED, GREY H32B上壳, 侧出M40, 2耳, 灰色粉末喷涂 | M40 | - | TYPE 2 类型2 |
| T1320320121-000 | H32B HOOD, TOP ENTRY PG21, 2 EAR, POWDER COATED, GREY H32B上壳, 顶出PG21, 2耳, 灰色粉末喷涂 | - | PG21 | |
| T1320320125-000 | H32B HOOD, TOP ENTRY M25, 2 EAR, POWDER COATED, GREY H32B上壳, 顶出M25, 2耳, 灰色粉末喷涂 | - | M25 | |
| T1320320129-000 | H32B HOOD, TOP ENTRY PG29, 2 EAR, POWDER COATED, GREY H32B上壳, 顶出PG29, 2耳, 灰色粉末喷涂 | - | PG29 | |
| T1320320132-000 | H32B HOOD, TOP ENTRY M32, 2 EAR, POWDER COATED, GREY H32B上壳, 顶出M32, 2耳, 灰色粉末喷涂 | - | M32 | |
| T1320320136-000 | H32B HOOD, TOP ENTRY PG36, 2 EAR, POWDER COATED, GREY H32B上壳, 顶出PG36, 2耳, 灰色粉末喷涂 | - | PG36 | |
| T1320320140-000 | H32B HOOD, TOP ENTRY M40, 2 EAR, POWDER COATED, GREY H32B上壳, 顶出M40, 2耳, 灰色粉末喷涂 | - | M40 | TYPE 3 类型3 |
| T1320320142-000 | H32B HOOD, TOP ENTRY PG42, 2 EAR, POWDER COATED, GREY H32B上壳, 顶出PG42, 2耳, 灰色粉末喷涂 | - | PG42 | |
| T1320320150-000 | H32B HOOD, TOP ENTRY M50, 2 EAR, POWDER COATED, GREY H32B上壳, 顶出M50, 2耳, 灰色粉末喷涂 | - | M50 | |
| T1320320163-000 | H32B HOOD, TOP ENTRY M63, 2 EAR, POWDER COATED, GREY H32B上壳, 顶出M63, 2耳, 灰色粉末喷涂 | - | M63 | |
| T1320320225-000 | H32B HOOD, SIDE/TOP ENTRY M25, 2 EAR, POWDER COATED, GREY H32B上壳, 侧顶出M25, 2耳, 灰色粉末喷涂 | M25 | M25 | |

| | | | | |
|--|--|-----------------------------|---------------------------------|-----------------|
| THIS DRAWING IS A CONTROLLED DOCUMENT. | | DWN DAVID LI 02JUN2015 | TE Connectivity | |
| DIMENSIONS: mm | | CHK CHRIS WANG 02JUN2015 | | |
| TOLERANCES UNLESS OTHERWISE SPECIFIED: | | APVD XU XIANG 02JUN2015 | NAME H32B-TS/TG/TSH/TGH-RO-M/PG | |
| | | PRODUCT SPEC 108-137013 | RESTRICTED TO | |
| MATERIAL - | | APPLICATION SPEC 114-137013 | SIZE A2 | CAGE CODE 00779 |
| FINISH - | | WEIGHT - | DRAWING NO. C-T13X0320XXX000 | SCALE 1:1 |
| | | CUSTOMER DRAWING | SHEET 1 | OF 2 |
| | | | REV A1 | |

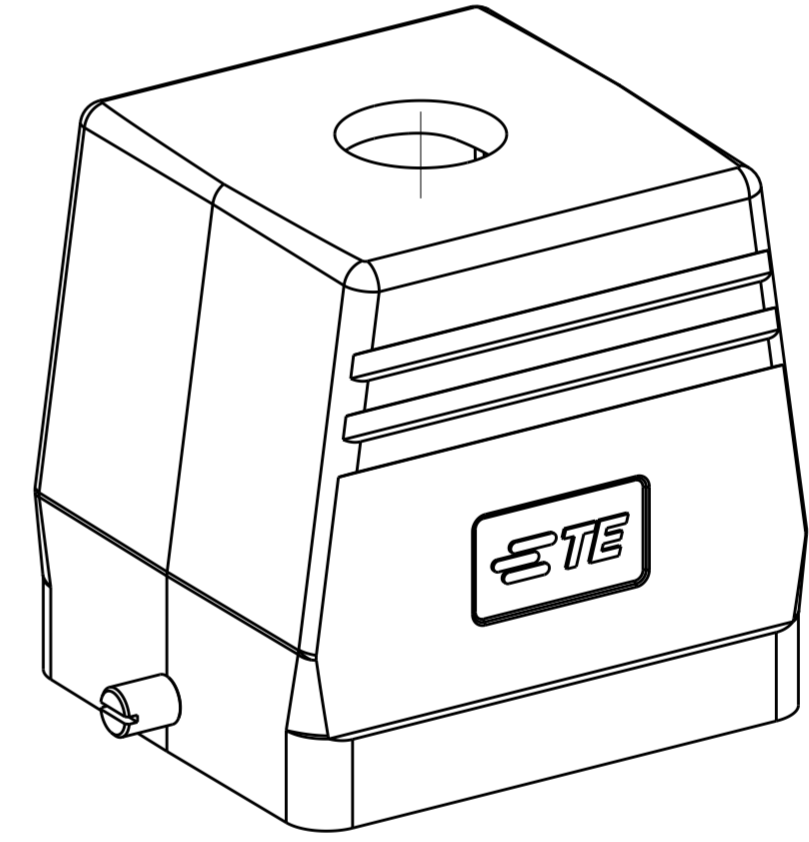
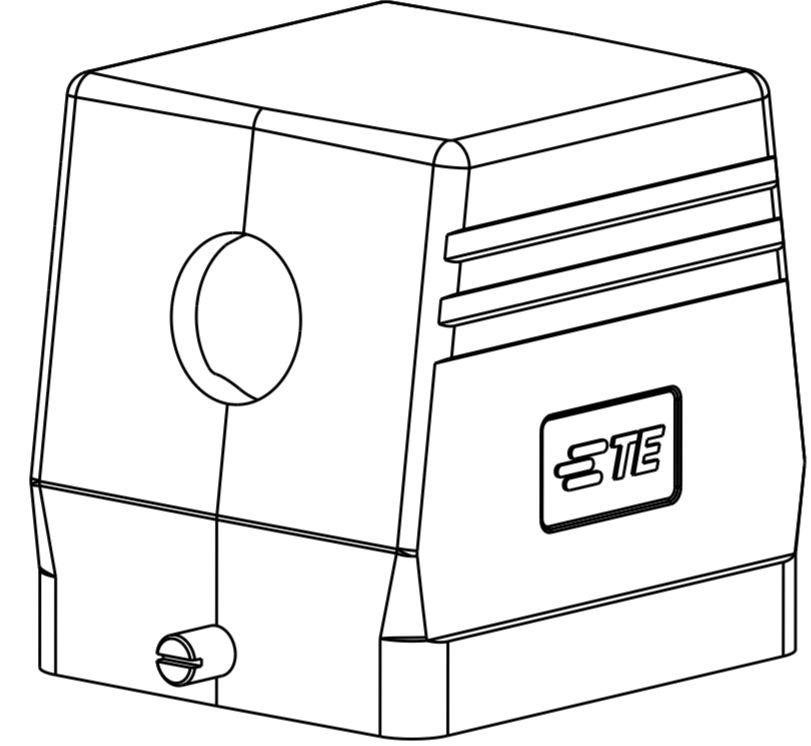
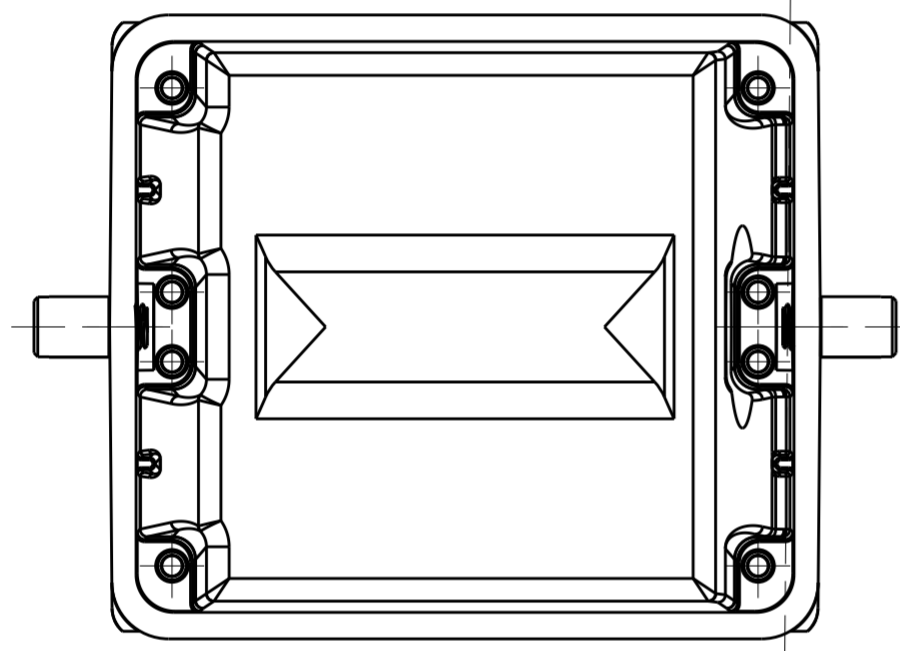
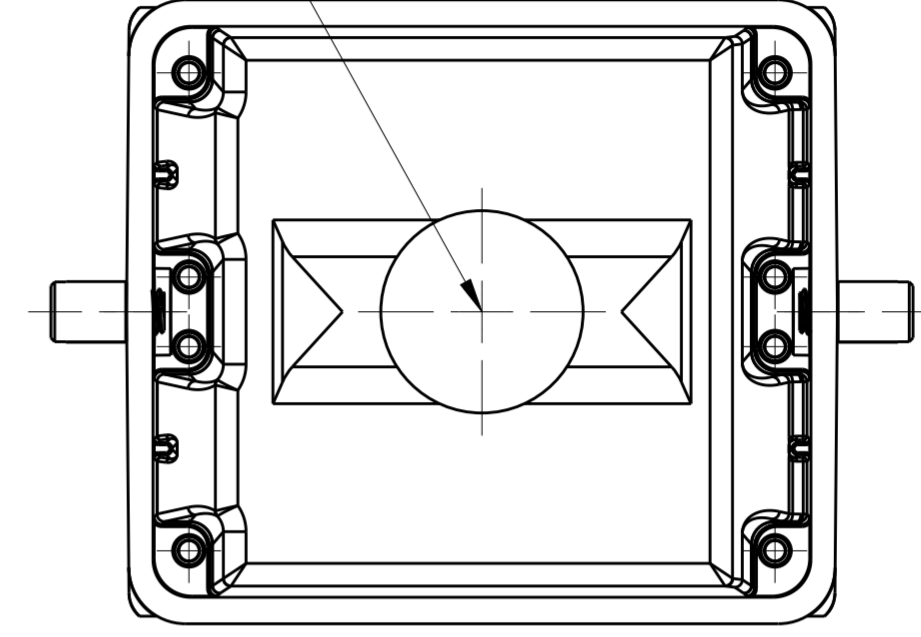
THIS DRAWING IS UNPUBLISHED. RELEASED FOR PUBLICATION 20
 © COPYRIGHT 20 BY - ALL RIGHTS RESERVED.

| REVISIONS | | | | |
|-----------|-----|-------------|------|------|
| P | LTR | DESCRIPTION | DATE | APVD |
| | | SEE SHEET 1 | | |
| | | | | |
| | | | | |



PG/M THREAD 4
PG/M螺纹孔 4

PG/M THREAD 5
PG/M螺纹孔 5



TYPE 4: HIGH CONSTRUCTION, SIDE ENTRY, UNDEFINED DIMENSIONS REFER TO TYPE 1.
 类型4: 高结构, 侧出, 未定义尺寸 & 规格参照类型 1.

TYPE 5: HIGH CONSTRUCTION, TOP ENTRY, UNDEFINED DIMENSIONS REFER TO TYPE 4.
 类型5: 高结构, 顶出, 未定义尺寸 & 规格参照类型 4.

| PART NUMBER | PART DESCRIPTION | PG/M THREAD 4 | PG/M THREAD 5 | TYPE |
|-----------------|---|---------------|---------------|---------------|
| T1330320121-000 | H32B-TSH-RO-PG21 H32B上壳, 侧出PG21, 2耳, 高结构, 灰色粉末喷涂 | PG21 | - | TYPE 4 类型4 |
| T1330320129-000 | H32B-TSH-RO-PG29 H32B上壳, 侧出PG29, 2耳, 高结构, 灰色粉末喷涂 | PG29 | - | |
| T1330320132-000 | H32B-TSH-RO-M32 H32B上壳, 侧出M32, 2耳, 高结构, 灰色粉末喷涂 | M32 | - | |
| T1330320136-000 | H32B-TSH-RO-PG36 H32B上壳, 侧出PG36, 2耳, 高结构, 灰色粉末喷涂 | PG36 | - | |
| T1330320140-000 | H32B-TSH-RO-M40 H32B上壳, 侧出M40, 2耳, 高结构, 灰色粉末喷涂 | M40 | - | TYPE 5 类型5 |
| T1340320121-000 | H32B-TGH-RO-PG21 H32B上壳, 顶出PG21, 2耳, 高结构, 灰色粉末喷涂 | - | PG21 | |
| T1340320125-000 | H32B-TGH-RO-M25 H32B上壳, 顶出M25, 2耳, 高结构, 灰色粉末喷涂 | - | M25 | |
| T1340320129-000 | H32B-TGH-RO-PG29 H32B上壳, 顶出PG29, 2耳, 高结构, 灰色粉末喷涂 | - | PG29 | |
| T1340320132-000 | H32B-TGH-RO-M32 H32B上壳, 顶出M32, 2耳, 高结构, 灰色粉末喷涂 | - | M32 | |
| T1340320136-000 | H32B-TGH-RO-PG36 H32B上壳, 顶出PG36, 2耳, 高结构, 灰色粉末喷涂 | - | PG36 | |
| T1340320140-000 | H32B-TGH-RO-M40 H32B上壳, 顶出M40, 2耳, 高结构, 灰色粉末喷涂 | - | M40 | |
| T1340320142-000 | H32B-TGH-RO-PG42 H32B上壳, 顶出PG42, 2耳, 高结构, 灰色粉末喷涂 | - | PG42 | |
| T1340320150-000 | H32B-TGH-RO-M50 H32B上壳, 顶出M50, 2耳, 高结构, 灰色粉末喷涂 | - | M50 | |
| T1340320163-000 | H32B-TGH-RO-M63 H32B上壳, 顶出M63, 2耳, 高结构, 灰色粉末喷涂 | - | M63 | |
| PART NUMBER | PART DESCRIPTION | PG/M THREAD 4 | PG/M THREAD 5 | TYPE |
| 料号 | 描述 | PG/M螺纹孔4 | PG/M螺纹孔5 | 类型 |

THIS DRAWING IS A CONTROLLED DOCUMENT.

| | | | |
|-------------|--|---------------------------------|---|
| DIMENSIONS: | TOLERANCES UNLESS OTHERWISE SPECIFIED: | DWN DAVID LI 02JUN2015 | TE Connectivity |
| mm | | CHK CHRIS WANG 02JUN2015 | |
| | | APVD XU XIANG 02JUN2015 | |
| | | NAME H32B-TS/TG/TSH/TGH-RO-M/PG | |
| | | PRODUCT SPEC 108-137013 | |
| | | APPLICATION SPEC 114-137013 | |
| MATERIAL | | WEIGHT | SIZE CAGE CODE DRAWING NO RESTRICTED TO |
| - | | - | A200779 C-T13X0320XXX000 |
| | | CUSTOMER DRAWING | SCALE 1:1 SHEET 2 OF 2 REV A1 |

X-ON Electronics

Largest Supplier of Electrical and Electronic Components

Click to view similar products for [Heavy Duty Power Connectors](#) category:

Click to view products by [TE Connectivity](#) manufacturer:

Other Similar products are found below :

[1424439](#) [1424438](#) [09330062652](#) [2-8675P1](#) [605601-1](#) [6340G1](#) [6341G1](#) [6360G1](#) [6373G1](#) [6374g2](#) [6396G1](#) [647757-1](#) [66394-4](#) [6643411-1](#)
[6646058-2](#) [6646137-1](#) [6646138-1](#) [6646348-1](#) [6646479-1](#) [6646608-1](#) [6646786-1](#) [6646940-1](#) [6651091-1](#) [6651525-1](#) [6651529-1](#) [6651778-1](#)
[6651788-1](#) [696465-1](#) [696475-1](#) [73000005059](#) [73000005349](#) [73000005642](#) [73080255059](#) [73080965046](#) [765-15-0080A](#) [765-16-0080B](#)
[789.700-44](#) [789.700-54](#) [80-1010](#) [80-9](#) [827381-1](#) [829992-1](#) [902-77-02113](#) [PL00U-301-10D10](#) [PM103MOOLOO](#) [PM16S1620S32-50](#)
[PM212MOOLOO](#) [PM309FOOLOO](#) [PM324FOOLCH](#) [PMHPAF11S03](#)