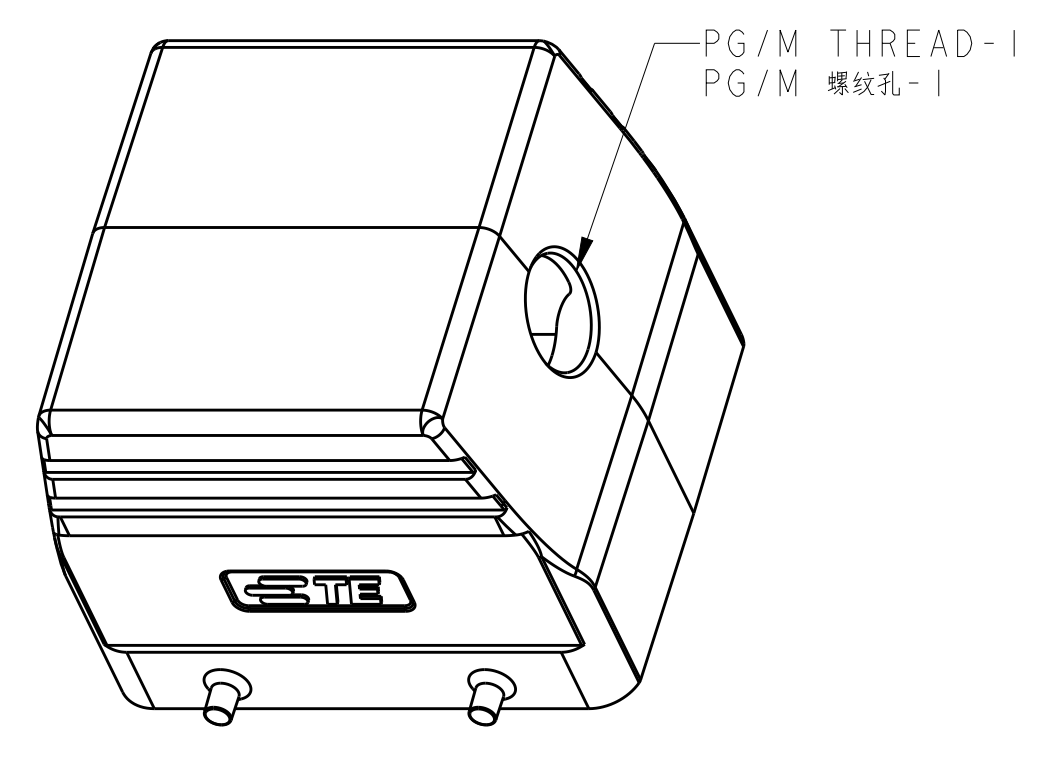
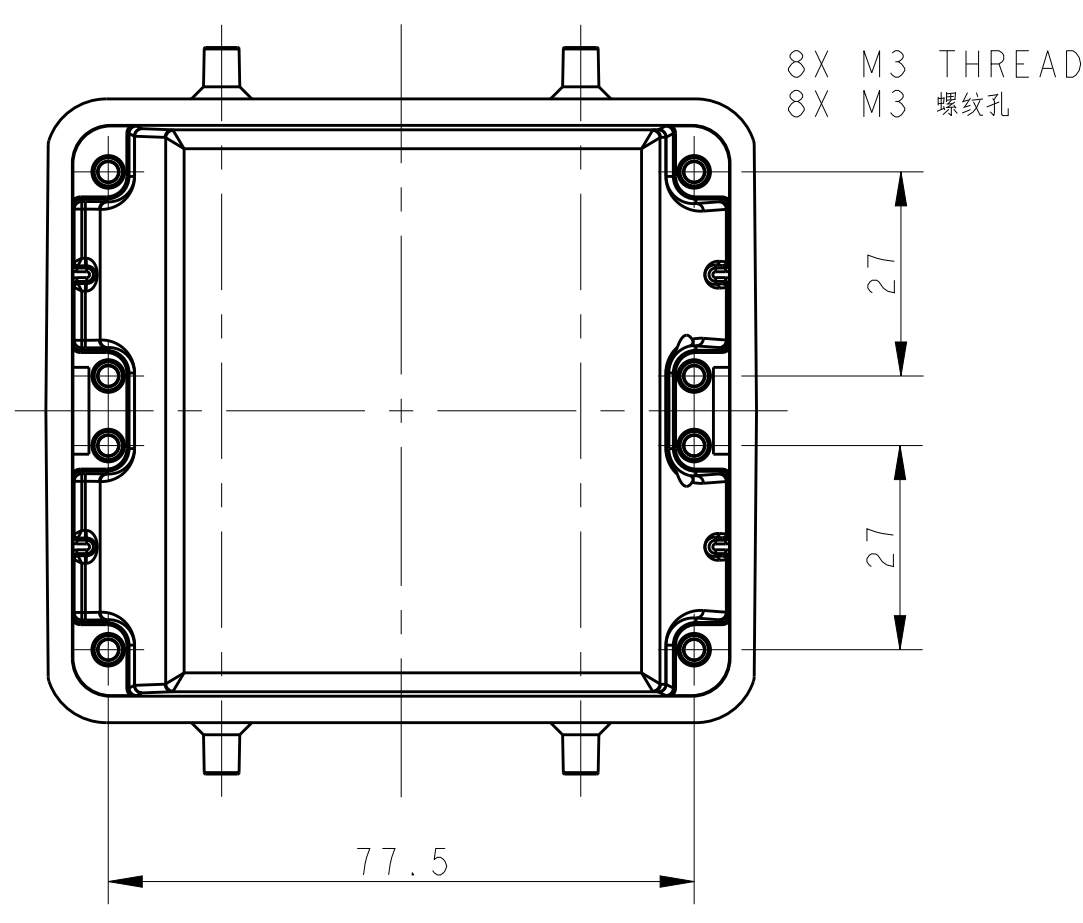
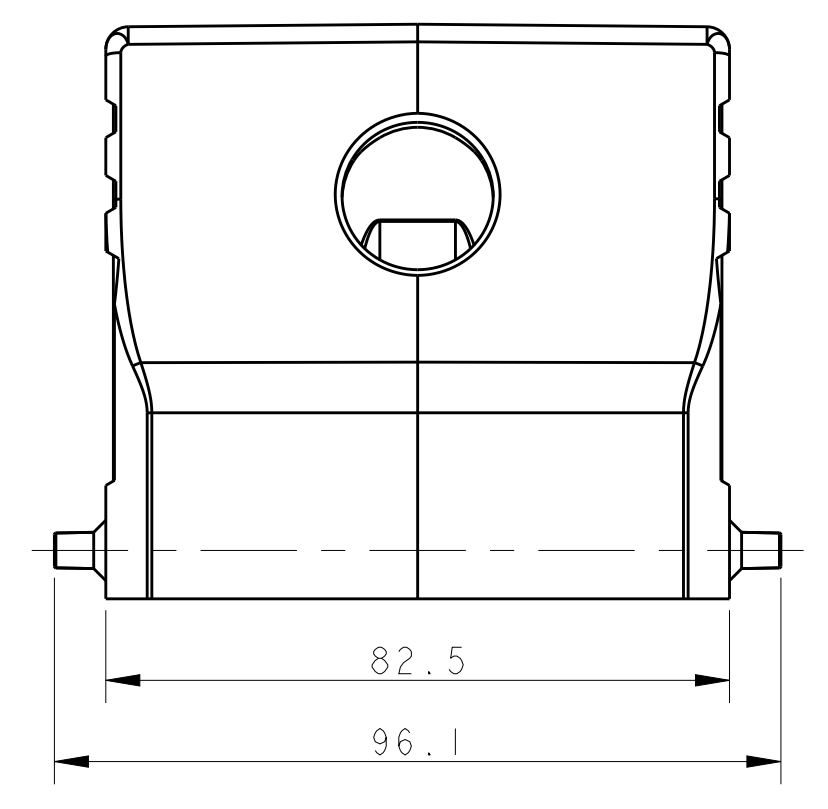
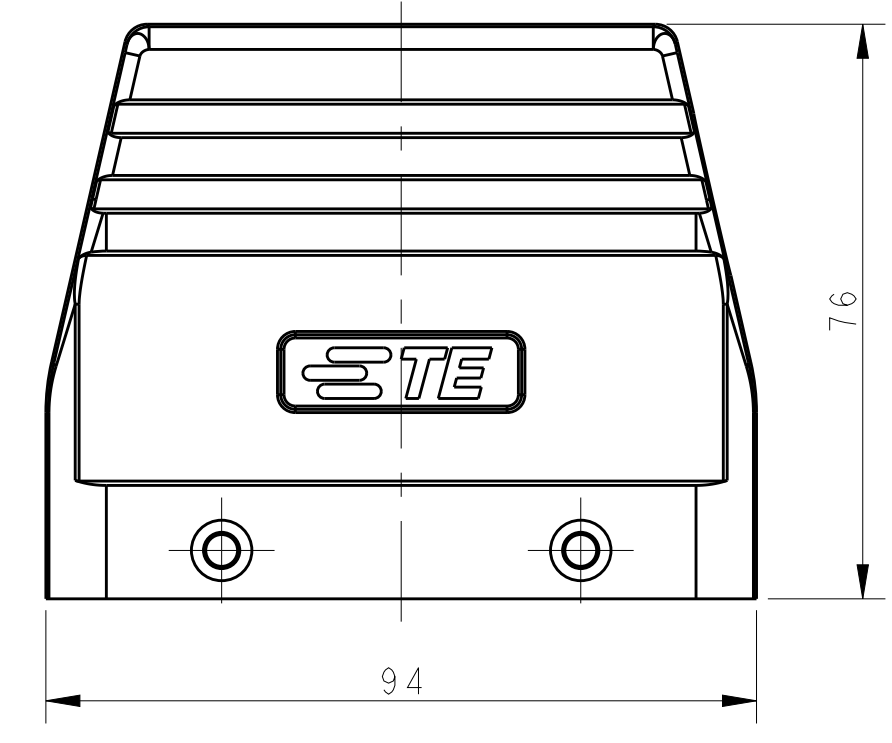
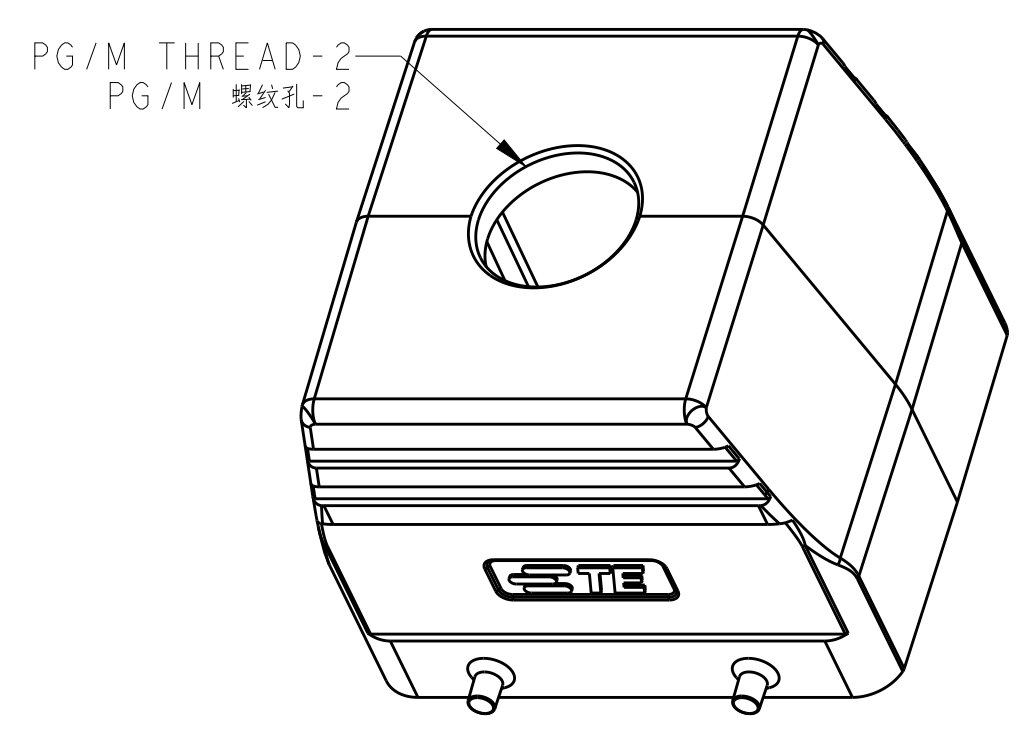


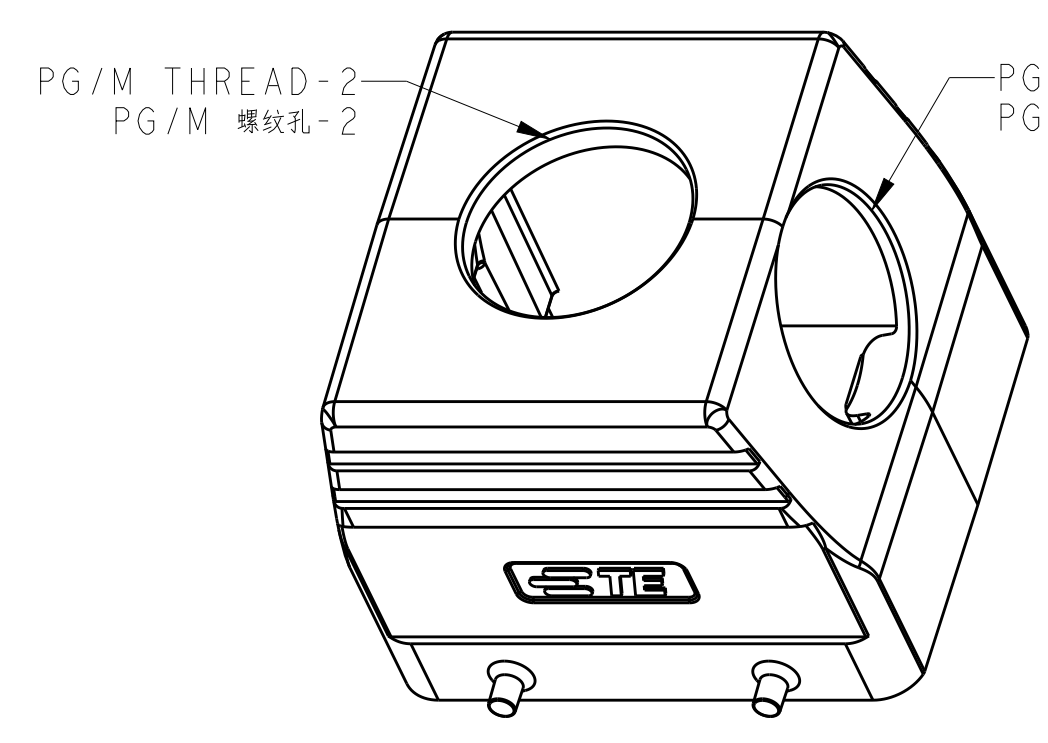
REVISIONS					
P	LTN	DESCRIPTION	DATE	DWN	APVD
A		INITIAL RELEASE	02JUN2015	DL	CW
A1		ECR-16-001148	27JAN2016	DL	CW
A2		ECR-16-013642	05MAY2017	BS	CW
A3		ECR-18-006816	7MAY2018	RG	CW



TYPE 1: H32B HOOD, SIDE ENTRY, 4 EAR  
类型 1: H32B上壳, 侧出, 4耳



TYPE 2: H32B HOOD, TOP ENTRY, 4 EAR  
OTHER SPEC REFER TO TYPE 1  
类型 2: H32B上壳, 顶出, 4耳  
未注规格参照类型1

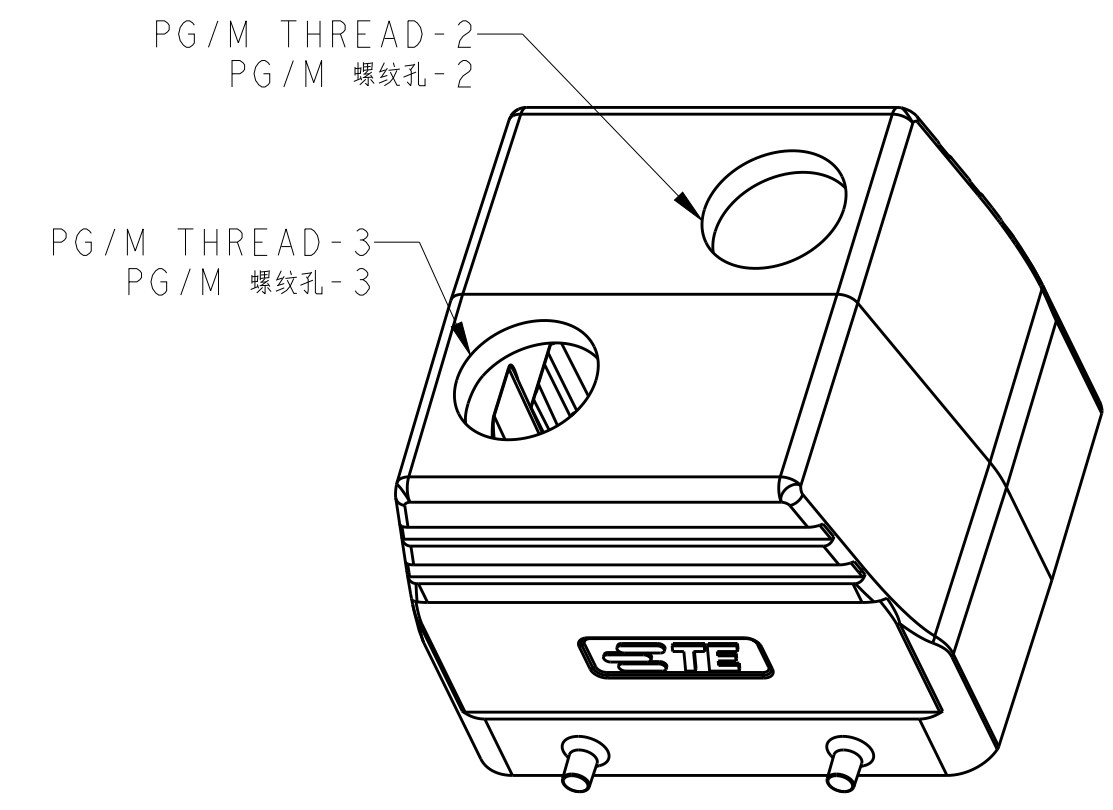


TYPE 3: H32B HOOD, SIDE/TOP ENTRY, 4 EAR  
OTHER SPEC REFER TO TYPE 1 & TYPE 2  
类型 3: H32B上壳, 侧顶出, 4耳  
未注规格参照类型1和类型2

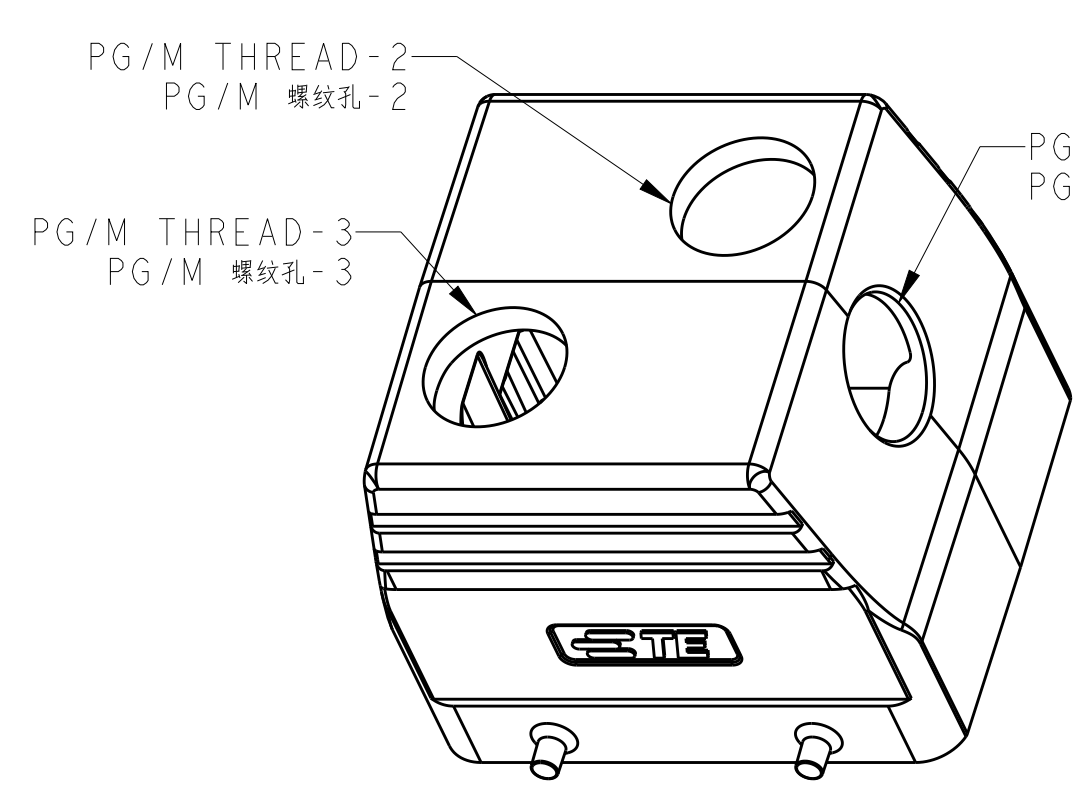
NOTES:  
1. TECHNICAL CHARACTERISTICS:  
BODY MATERIAL: DIE CAST ALUMINIUM ALLOY  
SURFACE TREATMENT: POWDER COATED, GREY  
DEGREE OF PROTECTION: IP65 (MATED)

注释:  
1. 技术参数:  
主体材料: 铝合金  
表面处理: 灰色粉末喷涂  
防护等级: IP65 (配合)

PART NUMBER	PART DESCRIPTION	PG/M THREAD-1	PG/M THREAD-2	PG/M THREAD-3	TYPE
T1210320120-000	H32B HOOD, SIDE ENTRY M20, 4 EAR, POWDER COATED, GREY H32B上壳, 侧出M20, 4耳, 灰色粉末喷涂	M20	-	-	TYPE 1 类型 1
T1210320121-000	H32B HOOD, SIDE ENTRY PG21, 4 EAR, POWDER COATED, GREY H32B上壳, 侧出PG21, 4耳, 灰色粉末喷涂	PG21	-	-	
T1210320125-000	H32B HOOD, SIDE ENTRY M25, 4 EAR, POWDER COATED, GREY H32B上壳, 侧出M25, 4耳, 灰色粉末喷涂	M25	-	-	
T1210320129-000	H32B HOOD, SIDE ENTRY PG29, 4 EAR, POWDER COATED, GREY H32B上壳, 侧出PG29, 4耳, 灰色粉末喷涂	PG29	-	-	
T1210320132-000	H32B HOOD, SIDE ENTRY M32, 4 EAR, POWDER COATED, GREY H32B上壳, 侧出M32, 4耳, 灰色粉末喷涂	M32	-	-	
T1210320136-000	H32B HOOD, SIDE ENTRY PG36, 4 EAR, POWDER COATED, GREY H32B上壳, 侧出PG36, 4耳, 灰色粉末喷涂	PG36	-	-	
T1210320140-000	H32B HOOD, SIDE ENTRY M40, 4 EAR, POWDER COATED, GREY H32B上壳, 侧出M40, 4耳, 灰色粉末喷涂	M40	-	-	TYPE 2 类型 2
T1220320121-000	H32B HOOD, TOP ENTRY PG21, 4 EAR, POWDER COATED, GREY H32B上壳, 顶出PG21, 4耳, 灰色粉末喷涂	-	PG21	-	
T1220320125-000	H32B HOOD, TOP ENTRY M25, 4 EAR, POWDER COATED, GREY H32B上壳, 顶出M25, 4耳, 灰色粉末喷涂	-	M25	-	
T1220320129-000	H32B HOOD, TOP ENTRY PG29, 4 EAR, POWDER COATED, GREY H32B上壳, 顶出PG29, 4耳, 灰色粉末喷涂	-	PG29	-	
T1220320132-000	H32B HOOD, TOP ENTRY M32, 4 EAR, POWDER COATED, GREY H32B上壳, 顶出M32, 4耳, 灰色粉末喷涂	-	M32	-	
T1220320136-000	H32B HOOD, TOP ENTRY PG36, 4 EAR, POWDER COATED, GREY H32B上壳, 顶出PG36, 4耳, 灰色粉末喷涂	-	PG36	-	
T1220320140-000	H32B HOOD, TOP ENTRY M40, 4 EAR, POWDER COATED, GREY H32B上壳, 顶出M40, 4耳, 灰色粉末喷涂	-	M40	-	
T1220320142-000	H32B HOOD, TOP ENTRY PG42, 4 EAR, POWDER COATED, GREY H32B上壳, 顶出PG42, 4耳, 灰色粉末喷涂	-	PG42	-	
T1220320148-000	H32B HOOD, TOP ENTRY PG48, 4 EAR, POWDER COATED, GREY H32B上壳, 顶出PG48, 4耳, 灰色粉末喷涂	-	PG48	-	
T1220320150-000	H32B HOOD, TOP ENTRY M50, 4 EAR, POWDER COATED, GREY H32B上壳, 顶出M50, 4耳, 灰色粉末喷涂	-	M50	-	
T1220320163-000	H32B HOOD, TOP ENTRY M63, 4 EAR, POWDER COATED, GREY H32B上壳, 顶出M63, 4耳, 灰色粉末喷涂	-	M63	-	TYPE 3 类型 3
T1220320134-000	H32B HOOD, TOP ENTRY G3/4, 4 EAR, POWDER COATED, GREY H32B上壳, 顶出G3/4, 4耳, 灰色粉末喷涂	-	G3/4	-	
T1200320240-000	H32B HOOD, SIDE/TOP ENTRY M40, 4 EAR, POWDER COATED, GREY H32B上壳, 侧/顶出M40, 4耳, 灰色粉末喷涂	M40	M40	-	
T1220320225-000	H32B HOOD, TOP ENTRY 2M25, 4 EAR, POWDER COATED, GREY H32B上壳, 顶出2M25, 4耳, 灰色粉末喷涂	-	M25	M25	
T1220320325-000	H32B HOOD, TOP ENTRY 2M25, SIDE ENTRY M25, 4 EAR, POWDER COATED, GREY H32B上壳, 顶出2M25, 侧出M25, 4耳, 灰色粉末喷涂	M25	M25	M25	TYPE 5 类型 5



TYPE 4: H32B HOOD, TOP ENTRY (2 HOLE), 4 EAR  
OTHER SPEC REFER TO TYPE 1  
类型 4: H32B上壳, 顶出(2孔), 4耳  
未注规格参照类型1



TYPE 5: H32B HOOD, SIDE ENTRY / TOP ENTRY (2 HOLE), 4 EAR  
OTHER SPEC REFER TO TYPE 4  
类型 5: H32B上壳, 侧出/顶出(2孔), 4耳  
未注规格参照类型4

THIS DRAWING IS A CONTROLLED DOCUMENT.

DAVID LI 02JUN2015  
CHRIS WANG 02JUN2015  
XU XIANG 02JUN2015

TE Connectivity

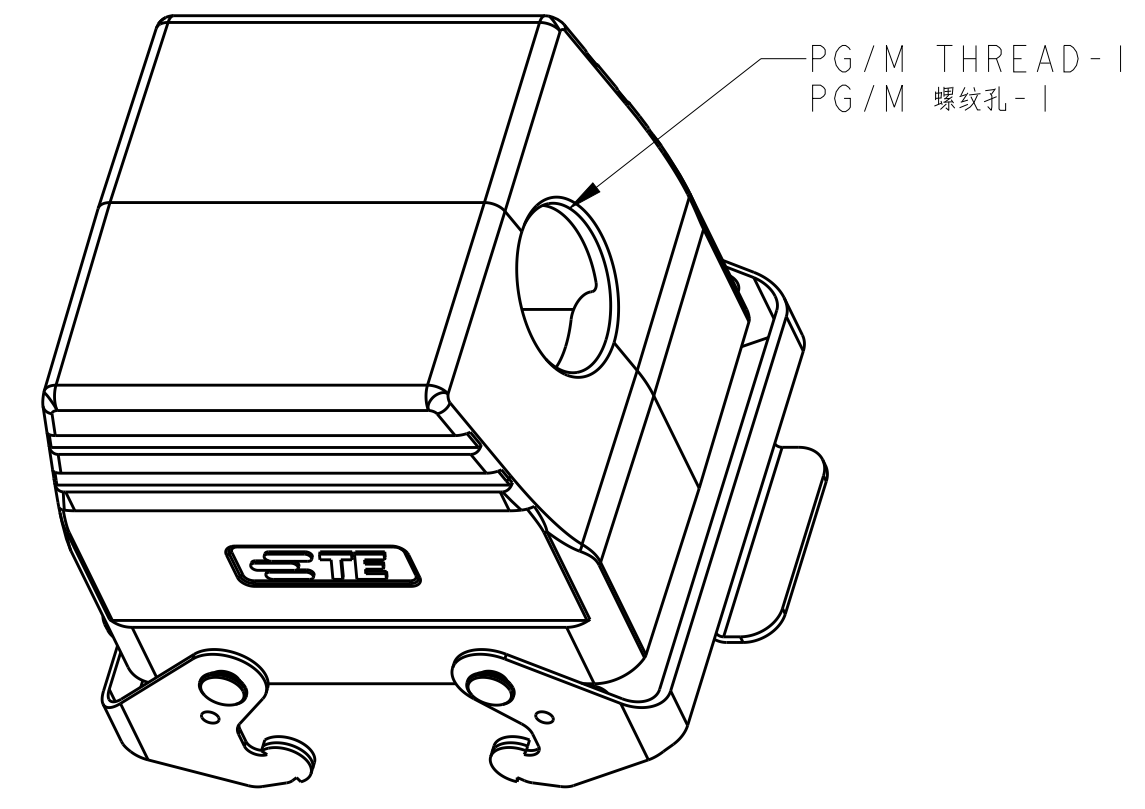
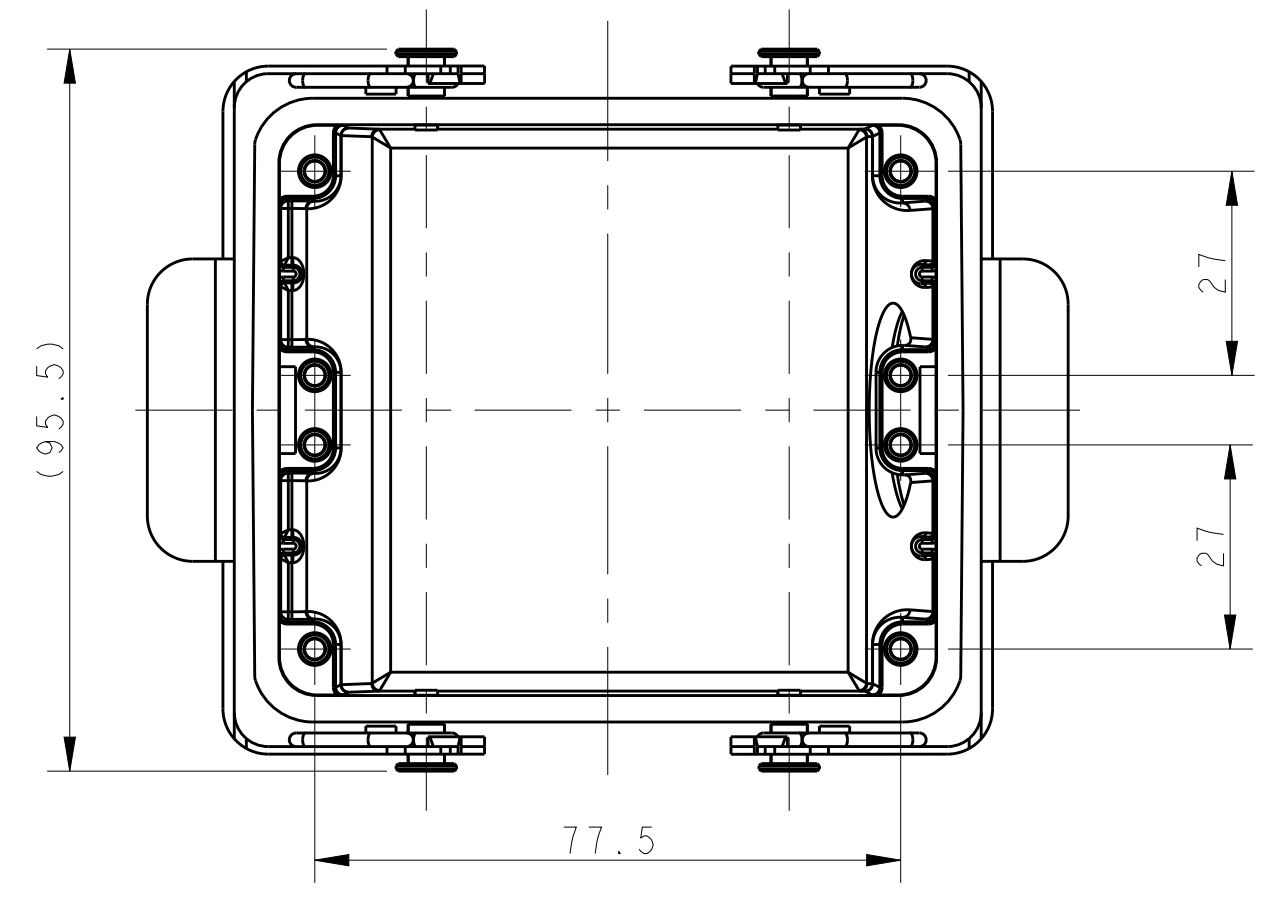
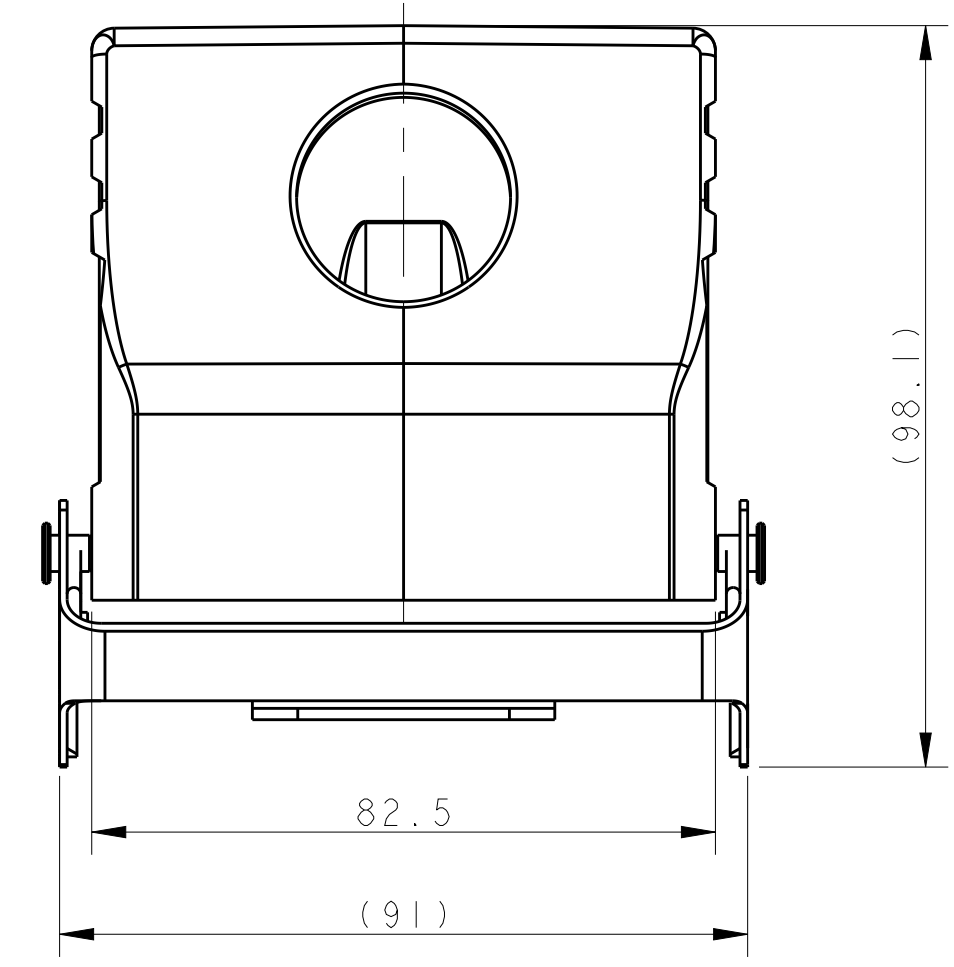
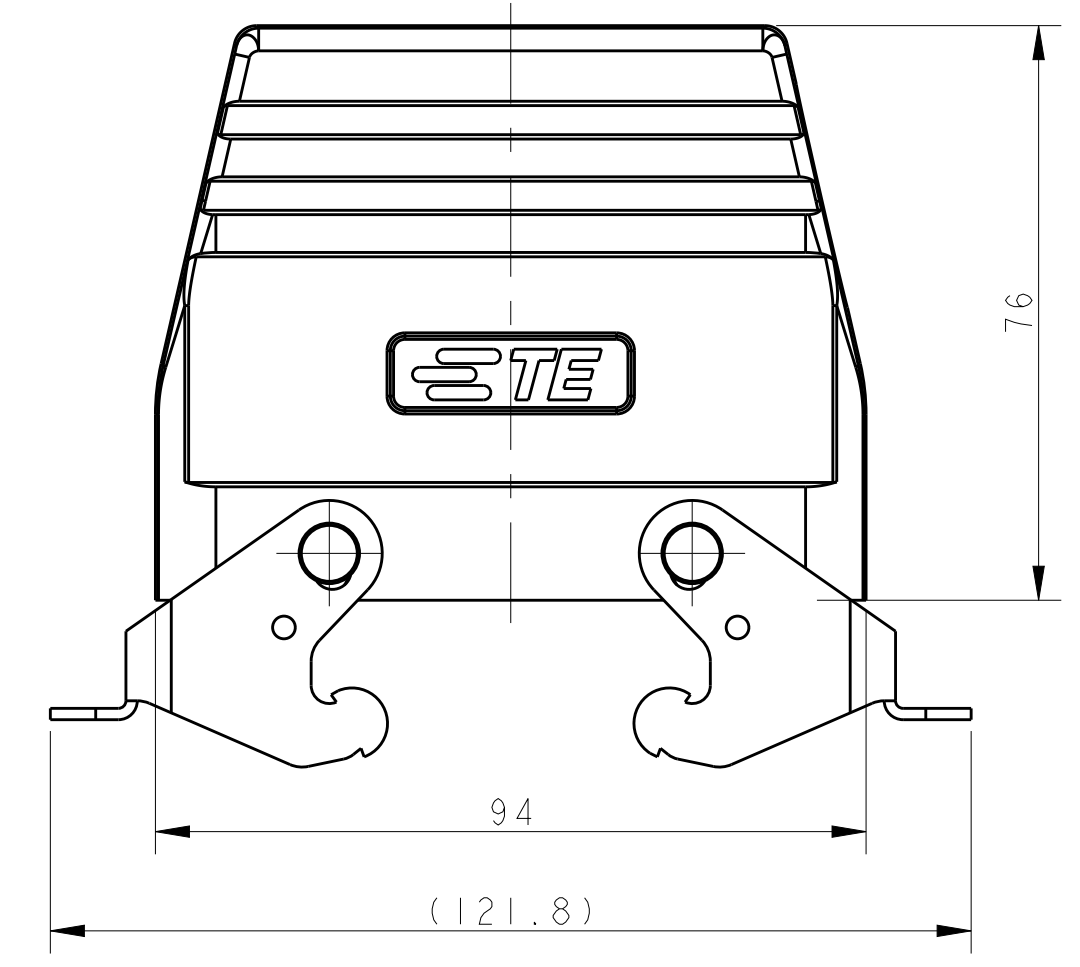
H32B-TS/TG/TSB/TGB-PG/M

PRODUCT SPEC: 108-137013  
APPLICATION SPEC: 114-137013

SIZE: A1 CAGE CODE: - DRAWING NO: C=T12X032XXXX000

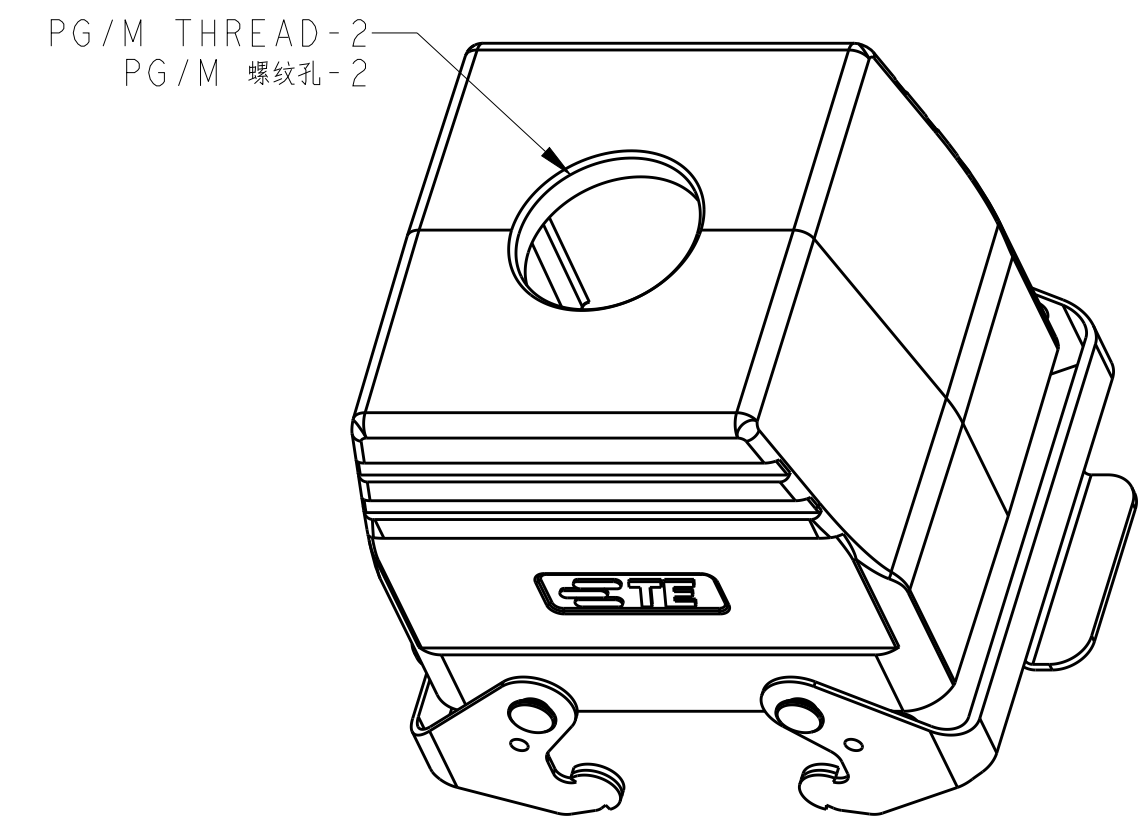
SCALE: 1:1 SHEET 1 OF 2

REVISIONS				
P.	LTN	DESCRIPTION	DATE	APVD
-	-	SEE SHEET 1	-	-



TYPE 6: H32B HOOD, SIDE ENTRY, WITH DOUBLE STEEL LOCKING

类型 6: H32B上壳, 侧出, 彩锌双扣



TYPE 7: H32B HOOD, TOP ENTRY, WITH DOUBLE STEEL LOCKING  
 OTHER SPEC REFER TO TYPE 6

类型 7: H32B上壳, 顶出, 彩锌双扣  
 未注规格参照类型6

PART NUMBER	DESCRIPTION	PG/M THREAD-1	PG/M THREAD-2	TYPE
T1250322121-000	H32B-TSB-PG21, METAL DOUBLE LOCKING, POWDER COATED, GREY H32B上壳, 侧出PG21, 彩锌双扣, 灰色粉末喷涂	PG21	-	TYPE 6
T1250322129-000	H32B-TSB-PG29, METAL DOUBLE LOCKING, POWDER COATED, GREY H32B上壳, 侧出PG29, 彩锌双扣, 灰色粉末喷涂	PG29	-	
T1250322132-000	H32B-TSB-M32, METAL DOUBLE LOCKING, POWDER COATED, GREY H32B上壳, 侧出M32, 彩锌双扣, 灰色粉末喷涂	M32	-	
T1260320132-000	H32B-TGB-M32, METAL DOUBLE LOCKING, POWDER COATED, GREY H32B上壳, 顶出M32, 彩锌双扣, 灰色粉末喷涂	-	M32	TYPE 7
T1260320136-000	H32B-TGB-PG36, METAL DOUBLE LOCKING, POWDER COATED, GREY H32B上壳, 顶出PG36, 彩锌双扣, 灰色粉末喷涂	-	PG36	
T1260320140-000	H32B-TGB-M40, METAL DOUBLE LOCKING, POWDER COATED, GREY H32B上壳, 顶出M40, 彩锌双扣, 灰色粉末喷涂	-	M40	
T1260322121-000	H32B-TGB-PG21, METAL DOUBLE LOCKING, POWDER COATED, GREY H32B上壳, 顶出PG21, 彩锌双扣, 灰色粉末喷涂	-	PG21	
T1260322129-000	H32B-TGB-PG29, METAL DOUBLE LOCKING, POWDER COATED, GREY H32B上壳, 顶出PG29, 彩锌双扣, 灰色粉末喷涂	-	PG29	
PART NUMBER 料号	PART DESCRIPTION 描述	PG/M THREAD-1 PG/M 螺纹孔-1	PG/M THREAD-2 PG/M 螺纹孔-2	TYPE 类型

THIS DRAWING IS A CONTROLLED DOCUMENT. DWN DAVID LI 02JUN2015  
 CHR CHRIS WANG 02JUN2015  
 APVD YU XIANG 02JUN2015

**STE** TE Connectivity

NAME: H32B-TS/TG/TSB/TGB-PG/M

PRODUCT SPEC: 108-137013  
 APPLICATION SPEC: 114-137013

SIZE: A1 CAGE CODE: - DRAWING NO: C=T12X032XXXX000 RESTRICTED TO: -  
 SCALE: 1:1 SHEET 2 OF 2 REV: A3

CUSTOMER DRAWING

## X-ON Electronics

Largest Supplier of Electrical and Electronic Components

*Click to view similar products for [Heavy Duty Power Connectors](#) category:*

*Click to view products by [TE Connectivity](#) manufacturer:*

Other Similar products are found below :

[1424439](#) [1424438](#) [09330062652](#) [2-8675P1](#) [605601-1](#) [6340G1](#) [6341G1](#) [6360G1](#) [6373G1](#) [6374g2](#) [6396G1](#) [647757-1](#) [66394-4](#) [6643411-1](#)  
[6646058-2](#) [6646137-1](#) [6646138-1](#) [6646348-1](#) [6646479-1](#) [6646608-1](#) [6646786-1](#) [6646940-1](#) [6651091-1](#) [6651525-1](#) [6651529-1](#) [6651778-1](#)  
[6651788-1](#) [696465-1](#) [696475-1](#) [73000005059](#) [73000005349](#) [73000005642](#) [73080255059](#) [73080965046](#) [765-15-0080A](#) [765-16-0080B](#)  
[789.700-44](#) [789.700-54](#) [80-1010](#) [80-9](#) [827381-1](#) [829992-1](#) [902-77-02113](#) [PL00U-301-10D10](#) [PM103MOOLOO](#) [PM16S1620S32-50](#)  
[PM212MOOLOO](#) [PM309FOOLOO](#) [PM324FOOLCH](#) [PMHPAF11S03](#)