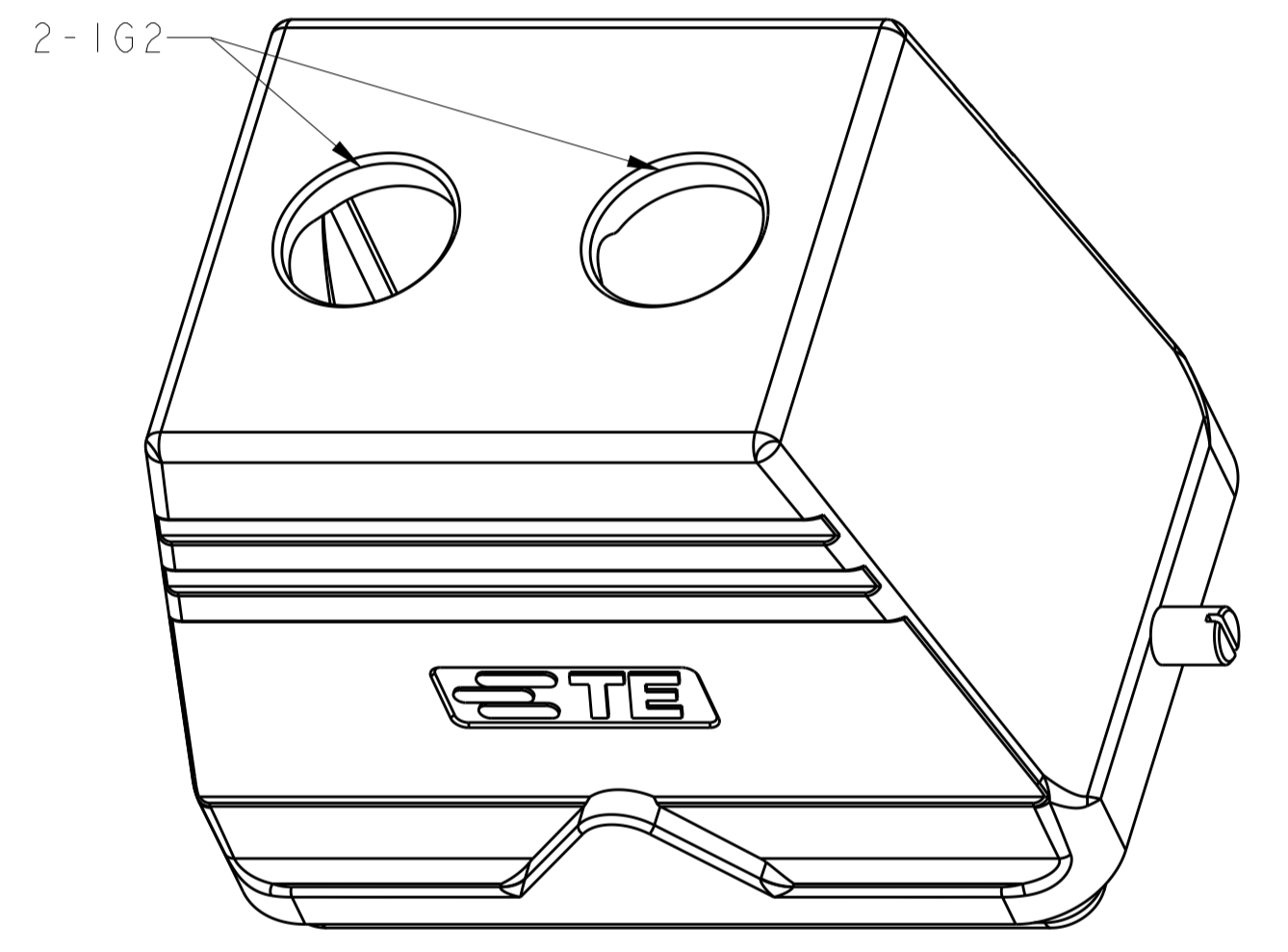
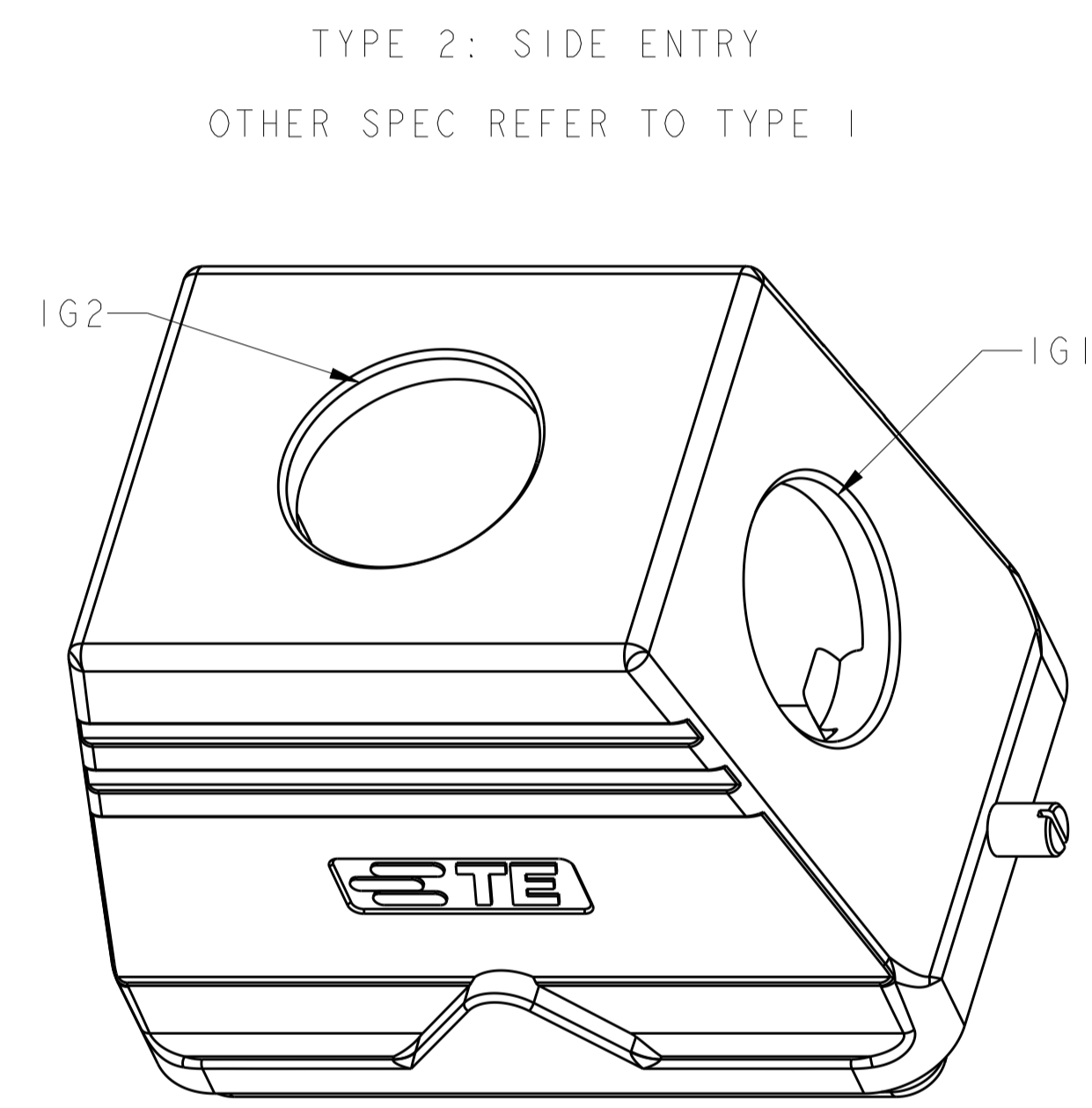
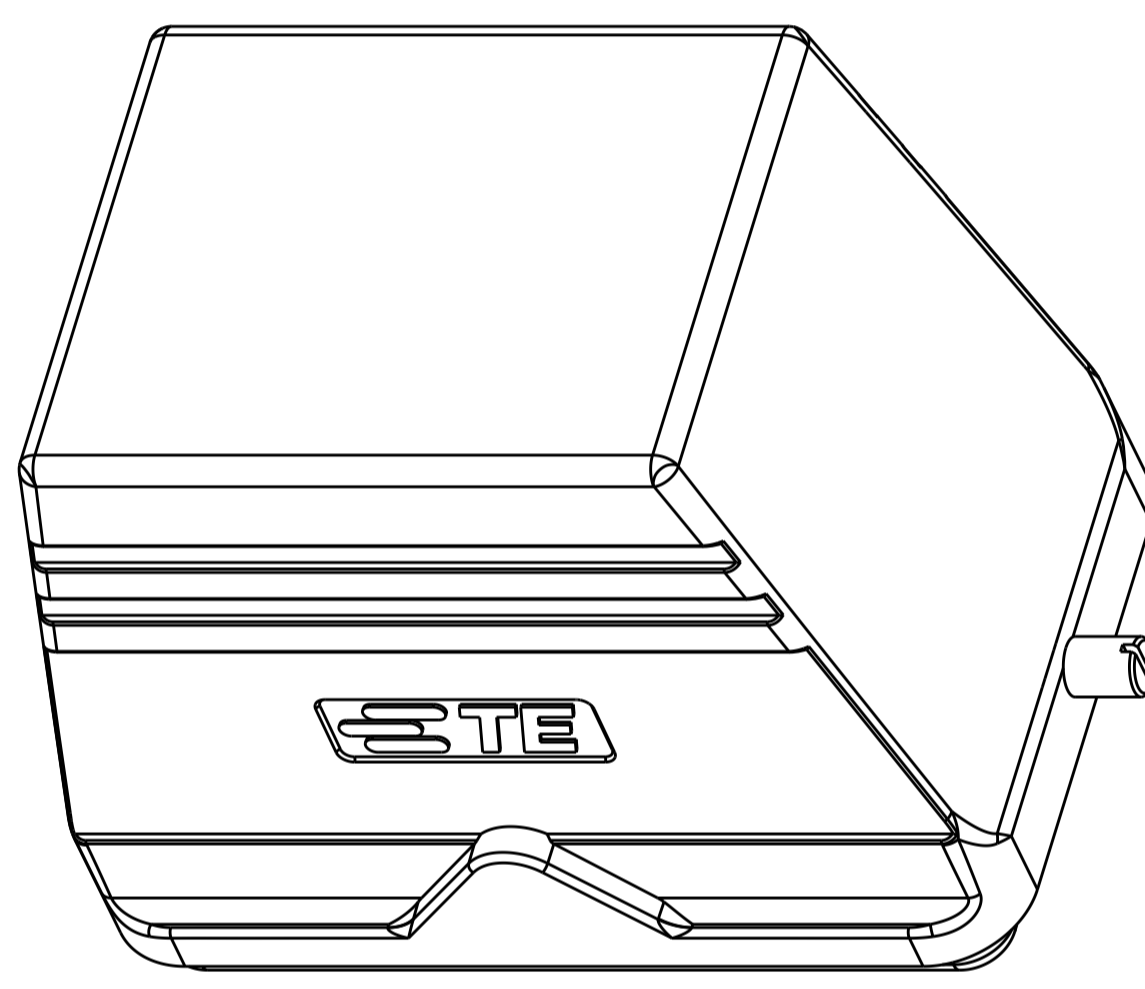
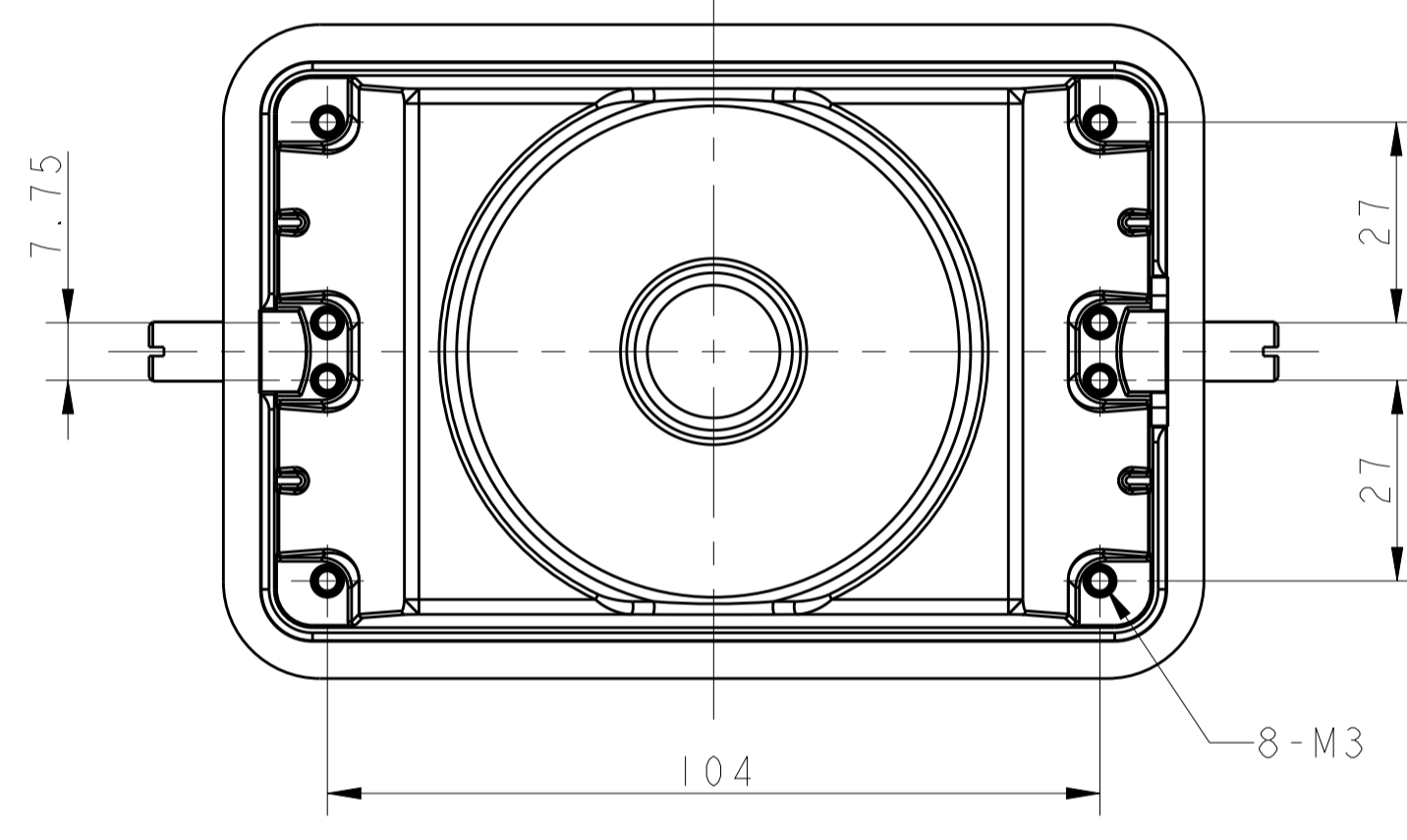
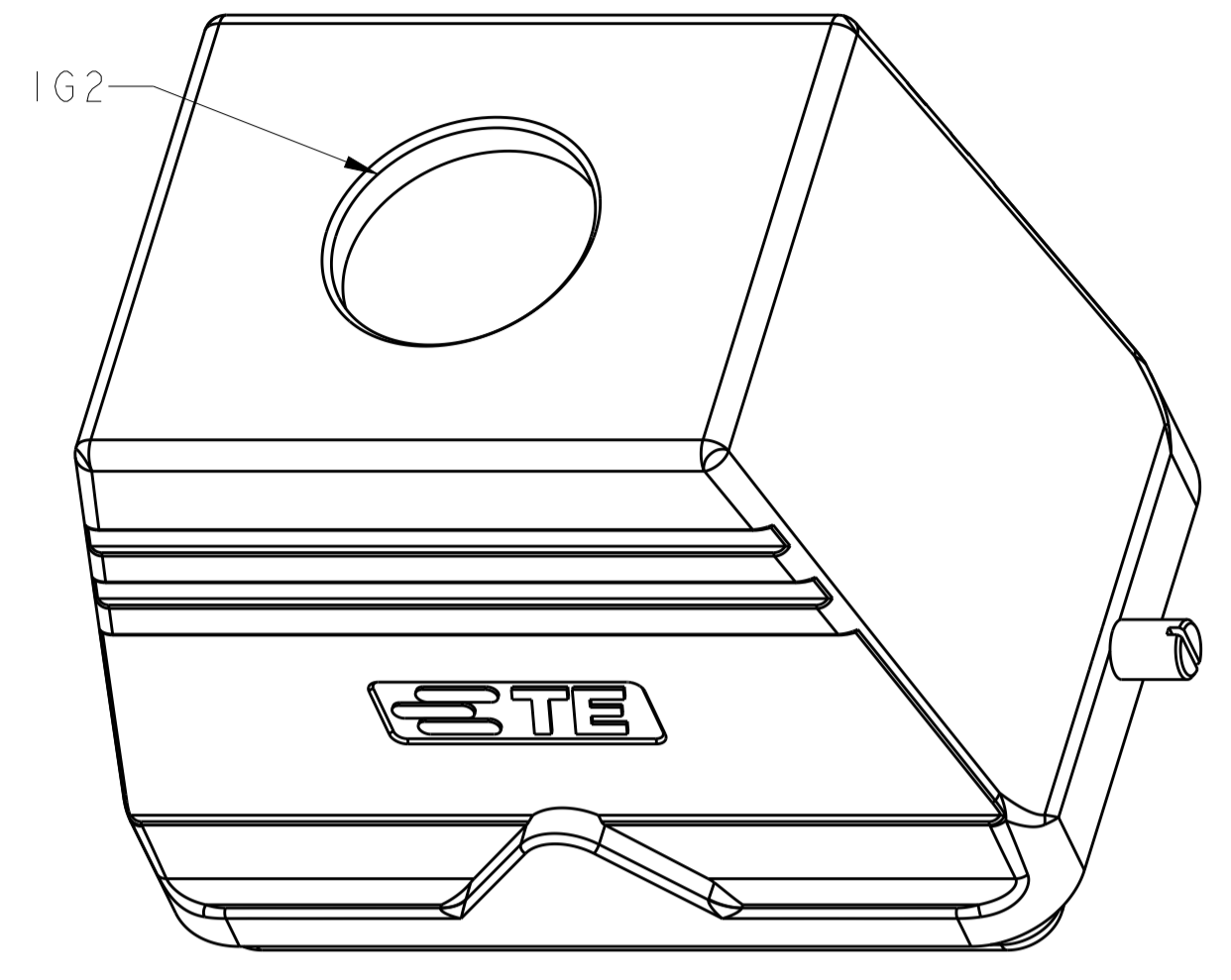
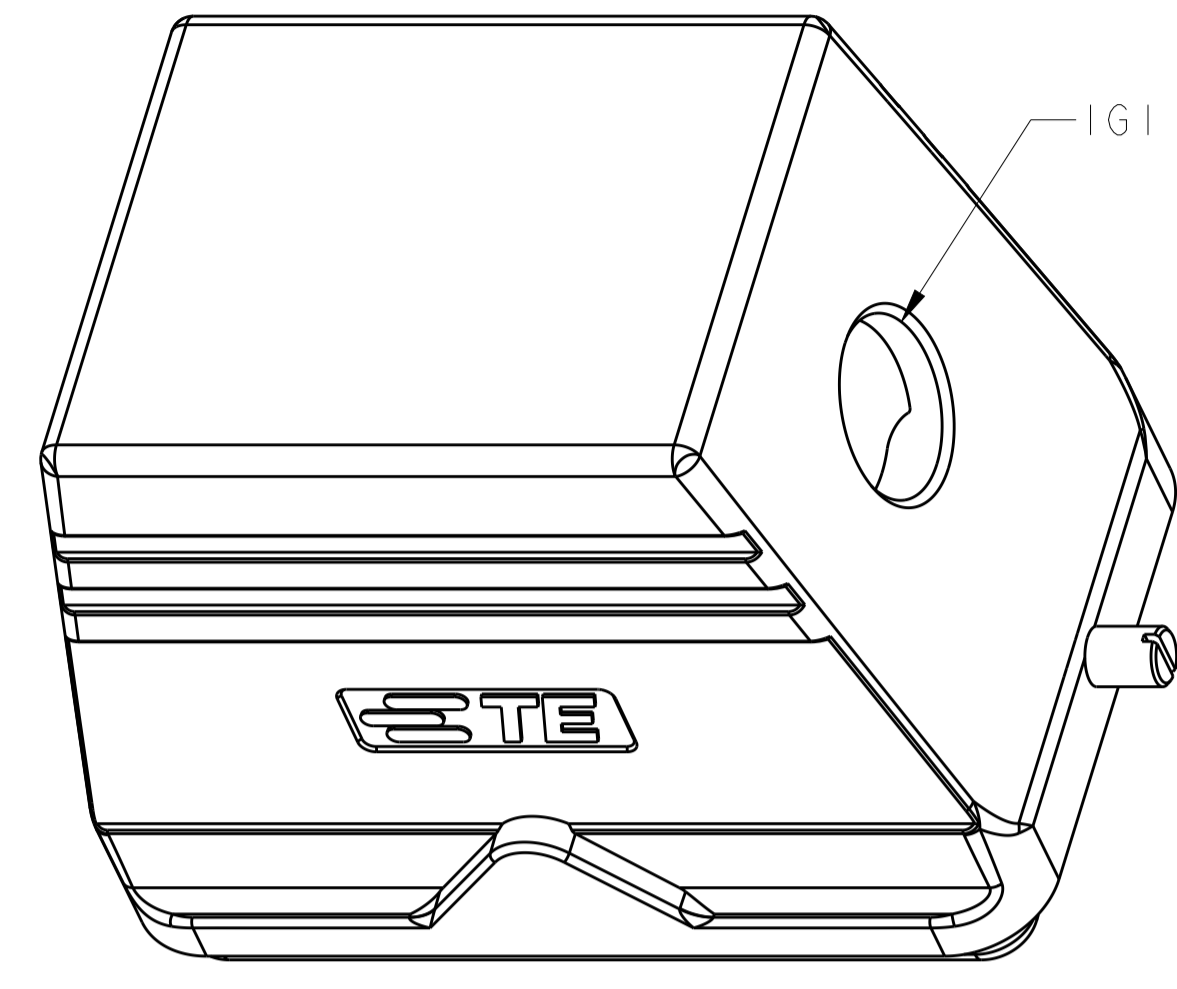
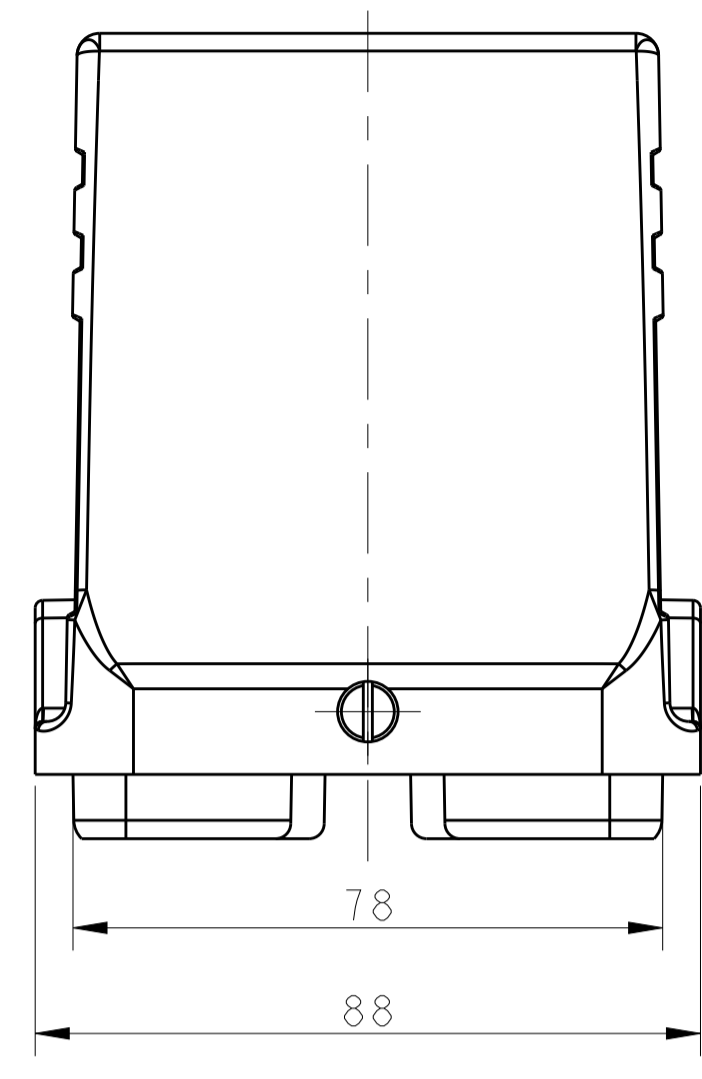
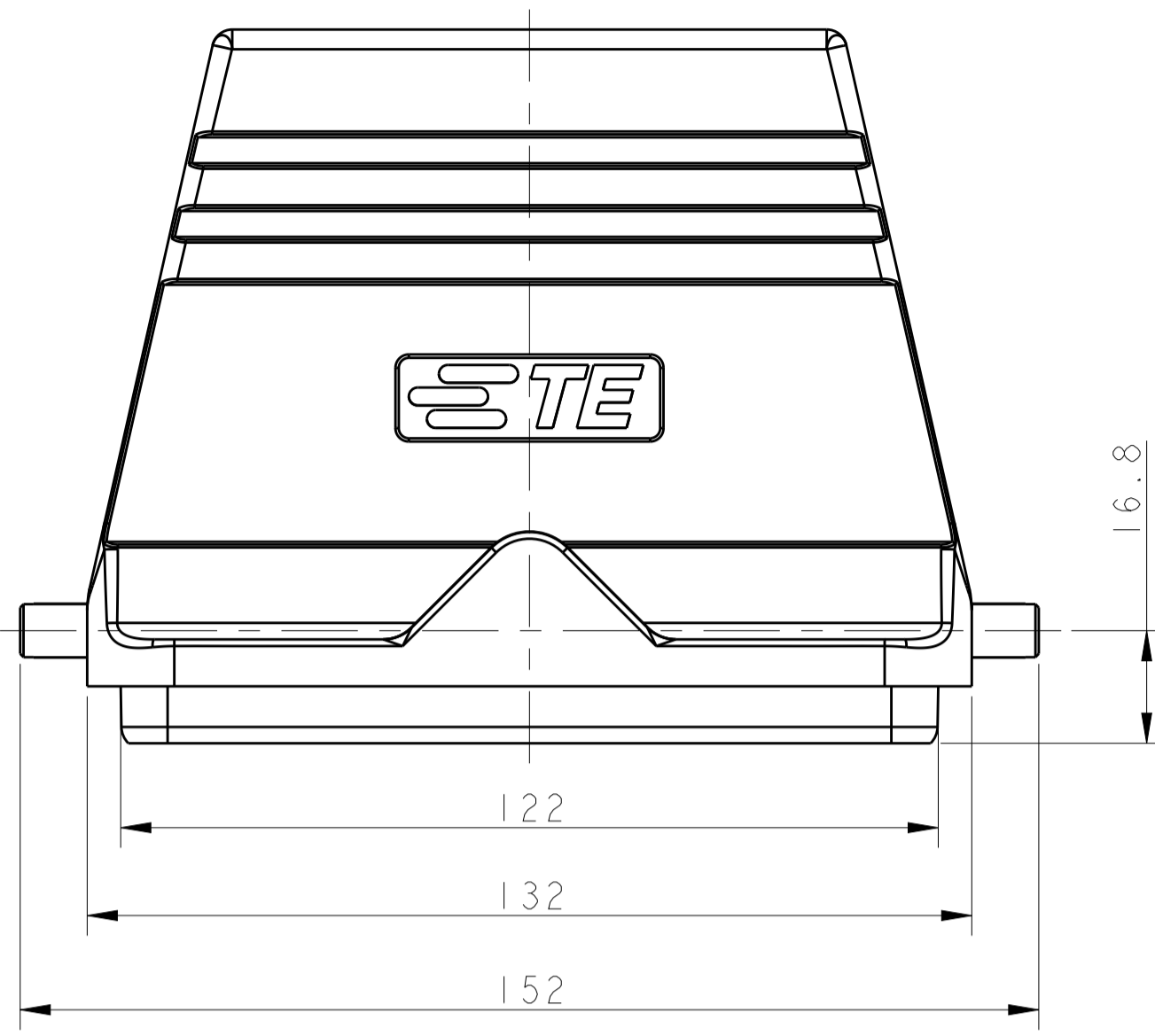


REVISIONS					
P.	LTN	DESCRIPTION	DATE	DWN	APVD
A		INITIAL RELEASE	08JUN2015	DL	CW



TYPE 1: NO ENTRY

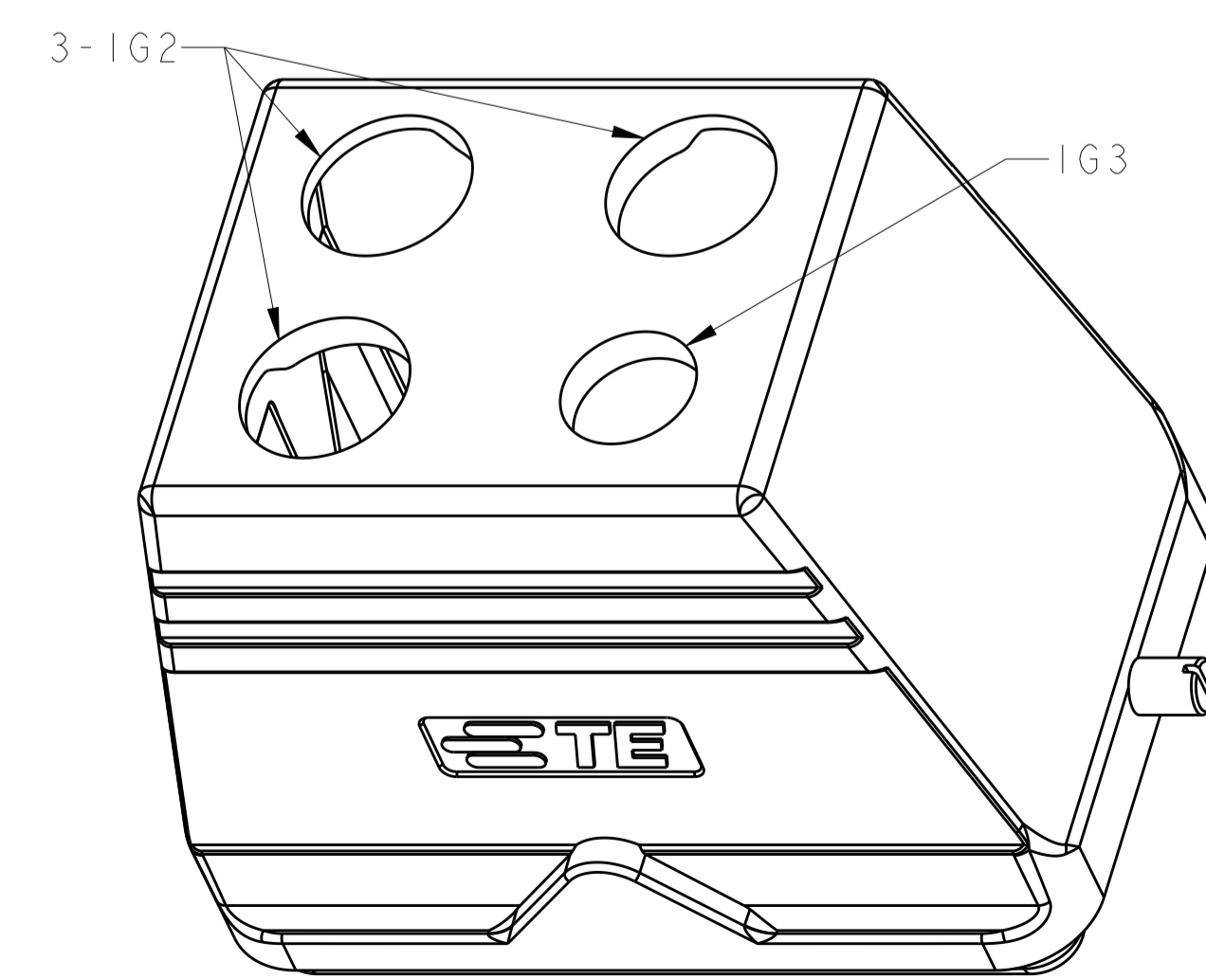
TYPE 2: SIDE ENTRY
OTHER SPEC REFER TO TYPE 1

TYPE 3: TOP ENTRY
OTHER SPEC REFER TO TYPE 1

TYPE 4: SIDE / TOP ENTRY
OTHER SPEC REFER TO TYPE 1

TYPE 5: TOP ENTRY (2 HOLE)
OTHER SPEC REFER TO TYPE 1

TI0X0480000-000	TYPE 1	H48B-TG/S-RO-XX	-	-	-
TI310480125-000	TYPE 2	H48B-TS-RO-M25	M25	-	-
TI310480129-000		H48B-TS-RO-PG29	PG29	-	-
TI310480132-000		H48B-TS-RO-M32	M32	-	-
TI310480136-000		H48B-TS-RO-PG36	PG36	-	-
TI310480140-000		H48B-TS-RO-M40	M40	-	-
TI310480142-000		H48B-TS-RO-PG42	PG42	-	-
TI310480150-000	TYPE 3	H48B-TS-RO-M50	M50	-	-
TI320480129-000		H48B-TG-RO-PG29	-	PG29	-
TI320480132-000		H48B-TG-RO-M32	-	M32	-
TI320480136-000		H48B-TG-RO-PG36	-	PG36	-
TI320480140-000		H48B-TG-RO-M40	-	M40	-
TI320480142-000		H48B-TG-RO-PG42	-	PG42	-
TI320480150-000	TYPE 4	H48B-TG-RO-M50	-	M50	-
TI320480163-000		H48B-TG-RO-M63	-	M63	-
TI320484040-000		H48B-TG/TS-RO-M40/M40	M40	M40	-
TI320480225-000	TYPE 5	H48B-TG-RO-2M25	-	2-M25	-
TI320482520-000	TYPE 6	H48B-TG-3M25M20	-	3-M25	M20
ASSEMBLY PART NUMBER	TYPE	ASSEMBLY PART DESCRIPTION	IG1	IG2	IG3



TYPE 6: TOP ENTRY (4 HOLE)
OTHER SPEC REFER TO TYPE 1

NOTES:
1. TECHNICAL CHARACTERISTICS:
BODY MATERIAL: DIE CAST ALUMINIUM ALLOY
SURFACE TREATMENT: POWDER-COATED, GRAY
OPERATION TEMPERATURE: -40-+125°C
DEGREE OF PROTECTION: IP65 (MATED)

注释:
1. 技术参数:
主体材料: 铝合金
表面处理: 粉末喷涂, 灰色
工作温度: -40-+125°C
防护等级: IP65(配合)

THIS DRAWING IS A CONTROLLED DOCUMENT.		DWN DAVID LI 08JUN2015	TE Connectivity NAME H48B-TG/TS-RO-PG/M
DIMENSIONS:		CHK CHRIS WANG 08JUN2015	
mm	TOLERANCES UNLESS OTHERWISE SPECIFIED:	APVD XU YIANG 08JUN2015	PRODUCT SPEC
0 PLC	±		108-137013
1 PLC	±		APPLICATION SPEC
2 PLC	±		114-137013
3 PLC	±		WEIGHT
4 PLC	±		FINISH
ANGLES	±		CUSTOMER DRAWING
MATERIAL			SCALE 1:1 SHEET 1 OF 1 REV A

X-ON Electronics

Largest Supplier of Electrical and Electronic Components

Click to view similar products for [Heavy Duty Power Connectors](#) category:

Click to view products by [TE Connectivity](#) manufacturer:

Other Similar products are found below :

[1424439](#) [1424438](#) [09330062652](#) [2-8675P1](#) [605601-1](#) [6340G1](#) [6341G1](#) [6360G1](#) [6373G1](#) [6374g2](#) [6396G1](#) [647757-1](#) [66394-4](#) [6643411-1](#)
[6646058-2](#) [6646137-1](#) [6646138-1](#) [6646348-1](#) [6646479-1](#) [6646608-1](#) [6646786-1](#) [6646940-1](#) [6651091-1](#) [6651525-1](#) [6651529-1](#) [6651778-1](#)
[6651788-1](#) [696465-1](#) [696475-1](#) [73000005059](#) [73000005349](#) [73000005642](#) [73080255059](#) [73080965046](#) [765-15-0080A](#) [765-16-0080B](#)
[789.700-44](#) [789.700-54](#) [80-1010](#) [80-9](#) [827381-1](#) [829992-1](#) [902-77-02113](#) [PL00U-301-10D10](#) [PM103MOOLOO](#) [PM16S1620S32-50](#)
[PM212MOOLOO](#) [PM309FOOLOO](#) [PM324FOOLCH](#) [PMHPAF11S03](#)