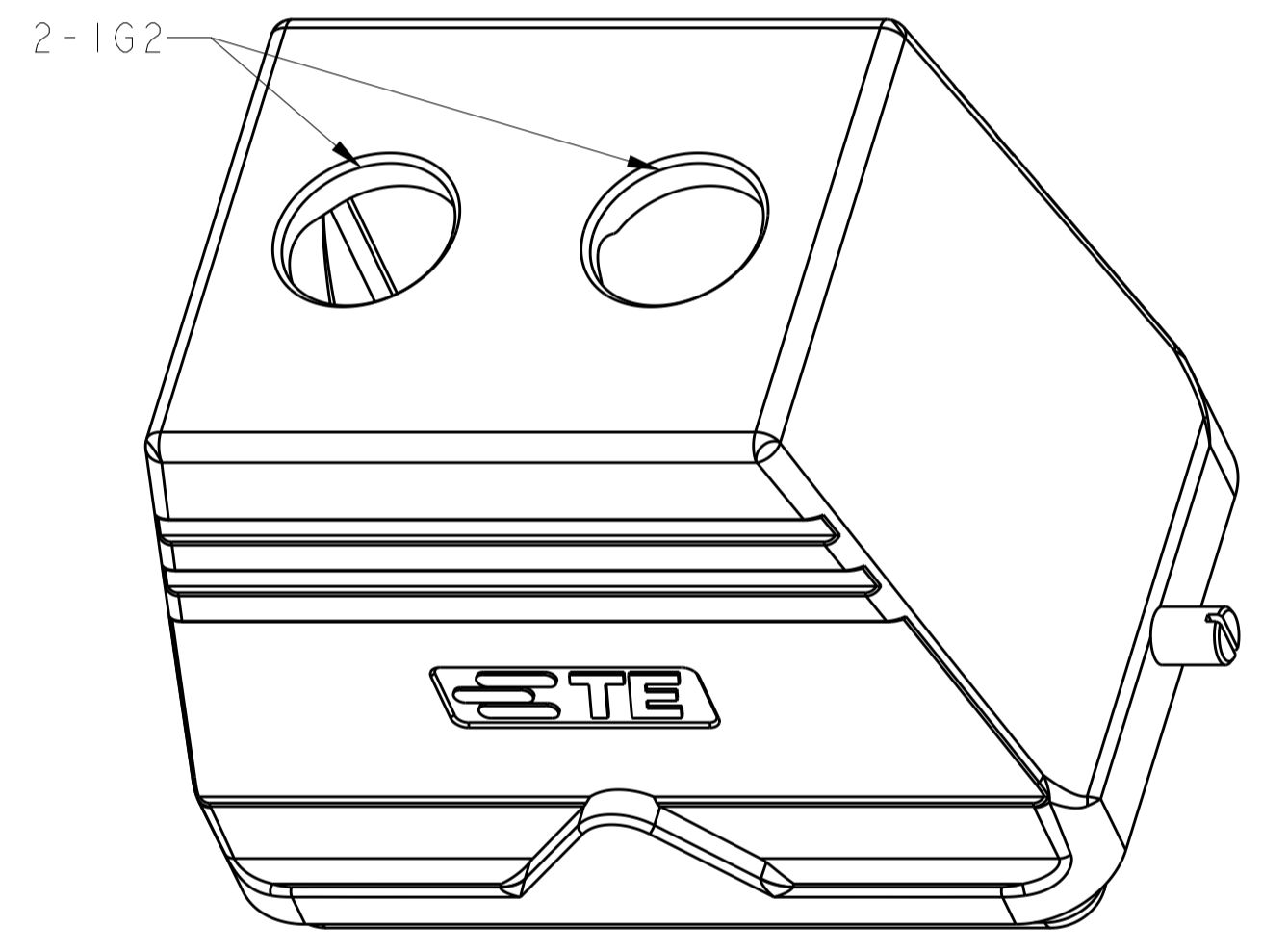
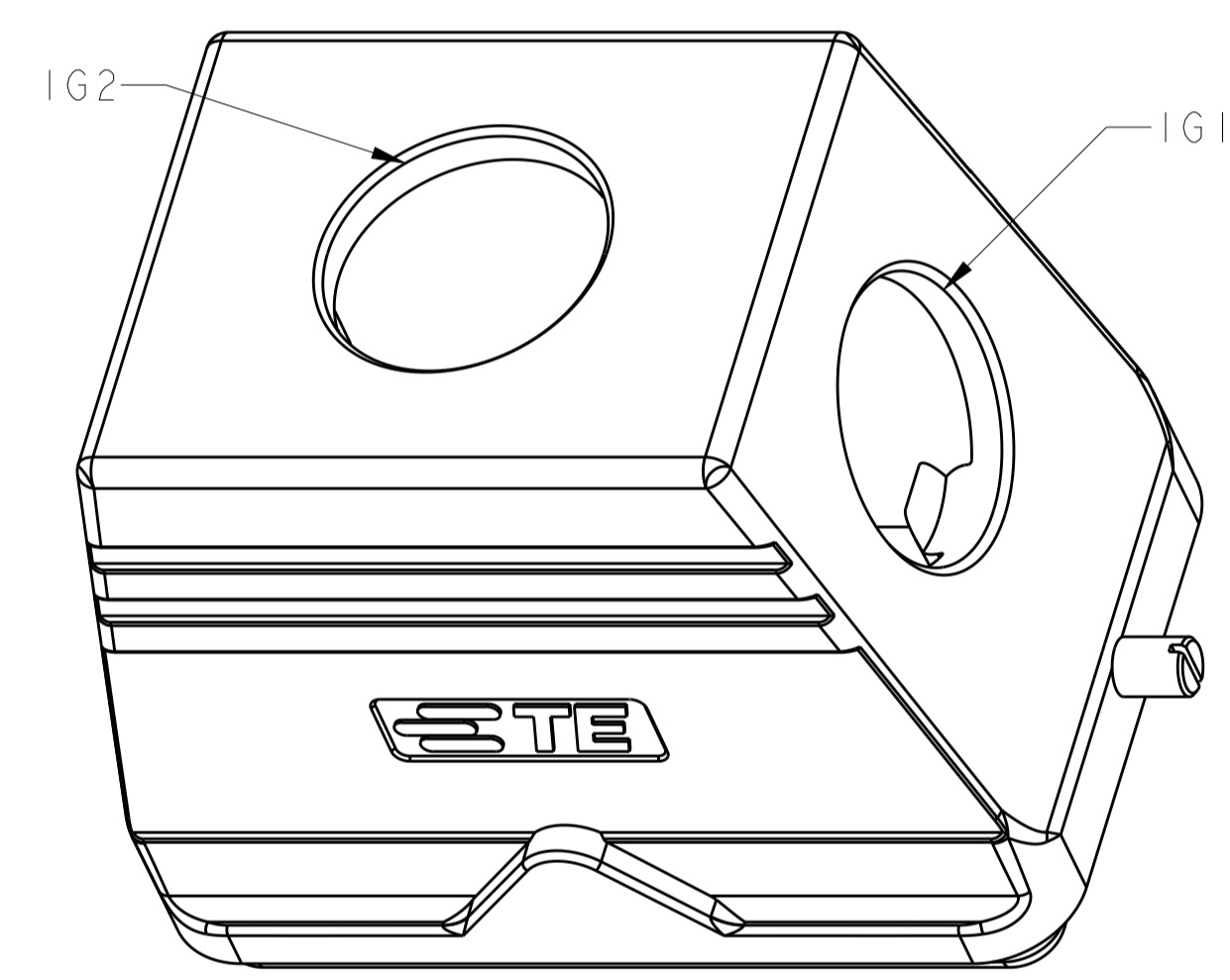
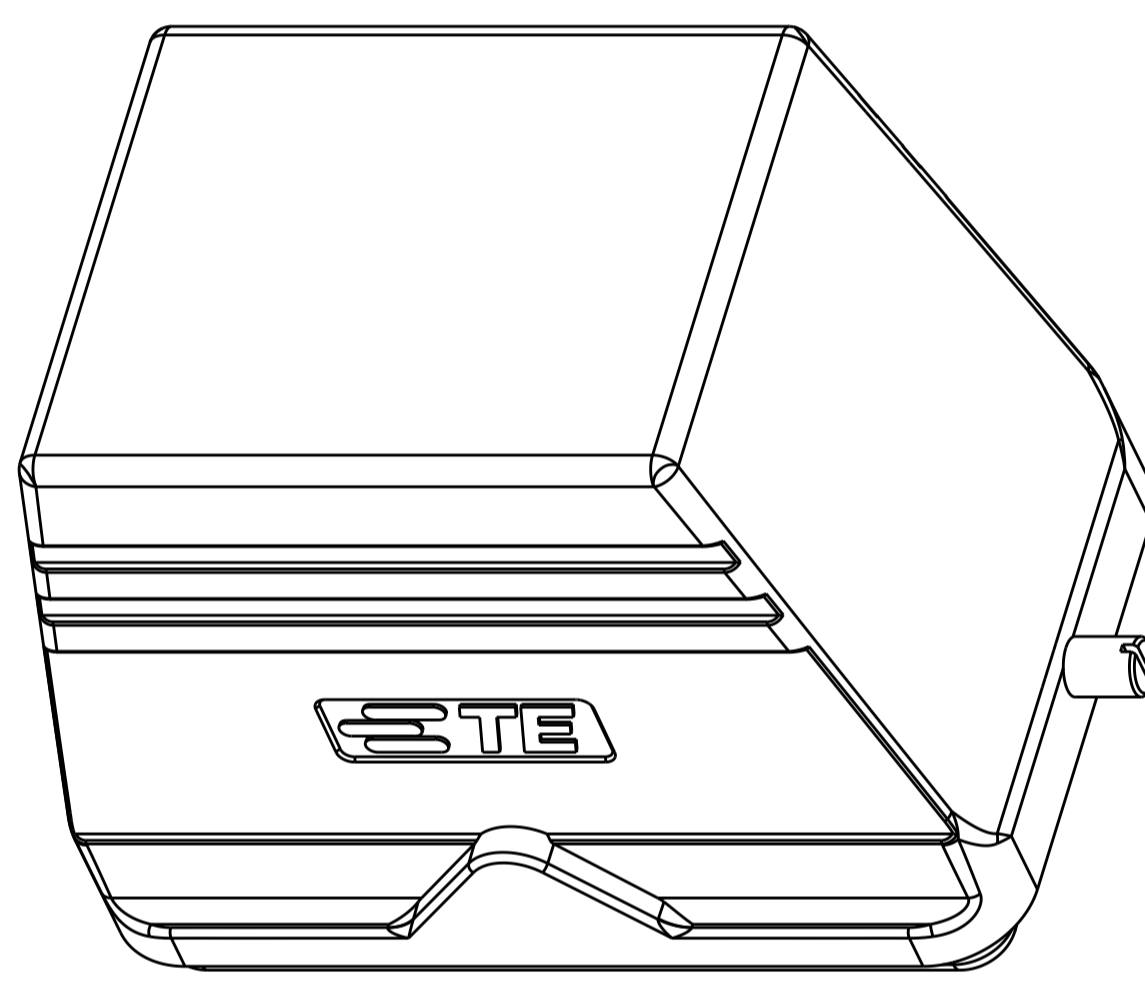
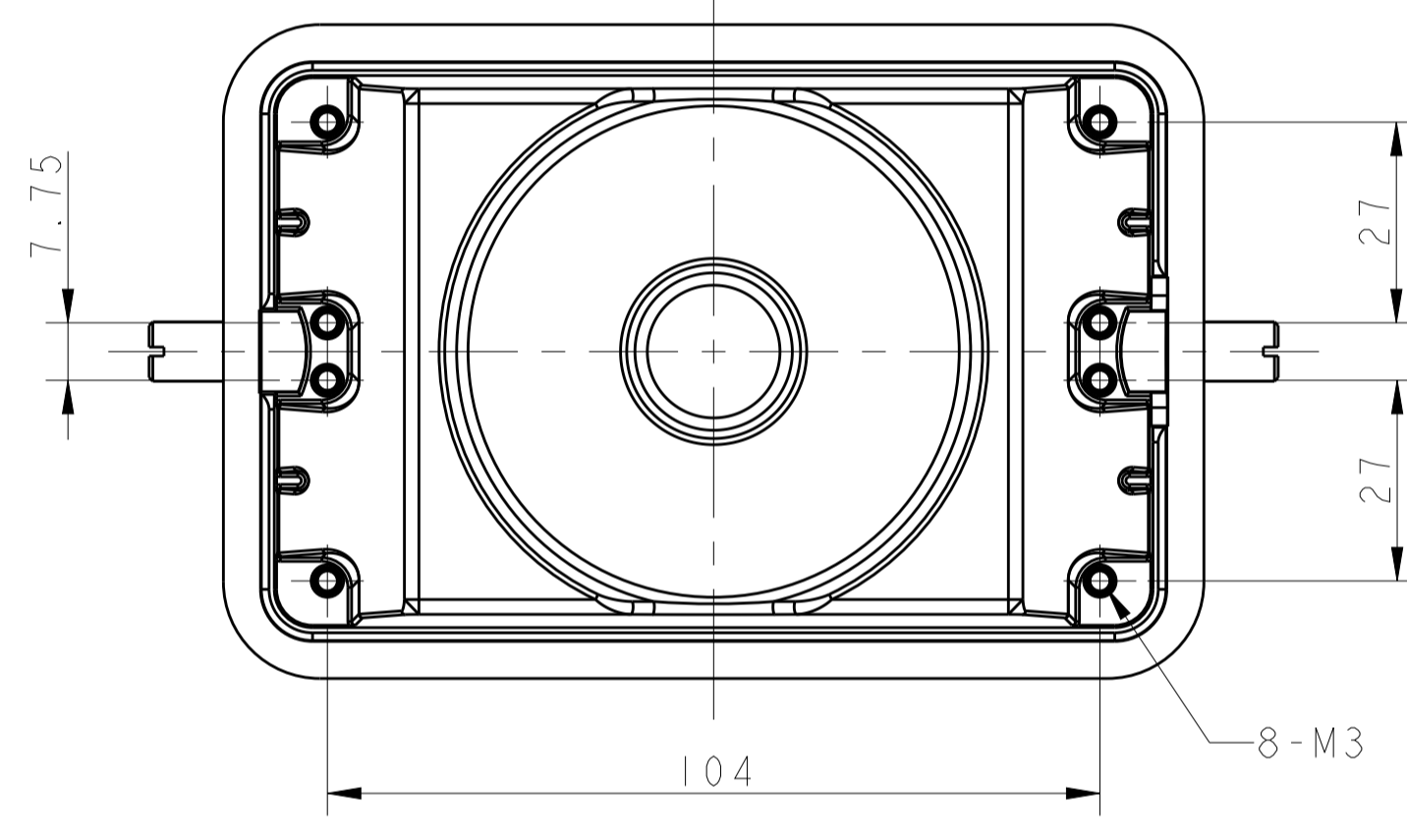
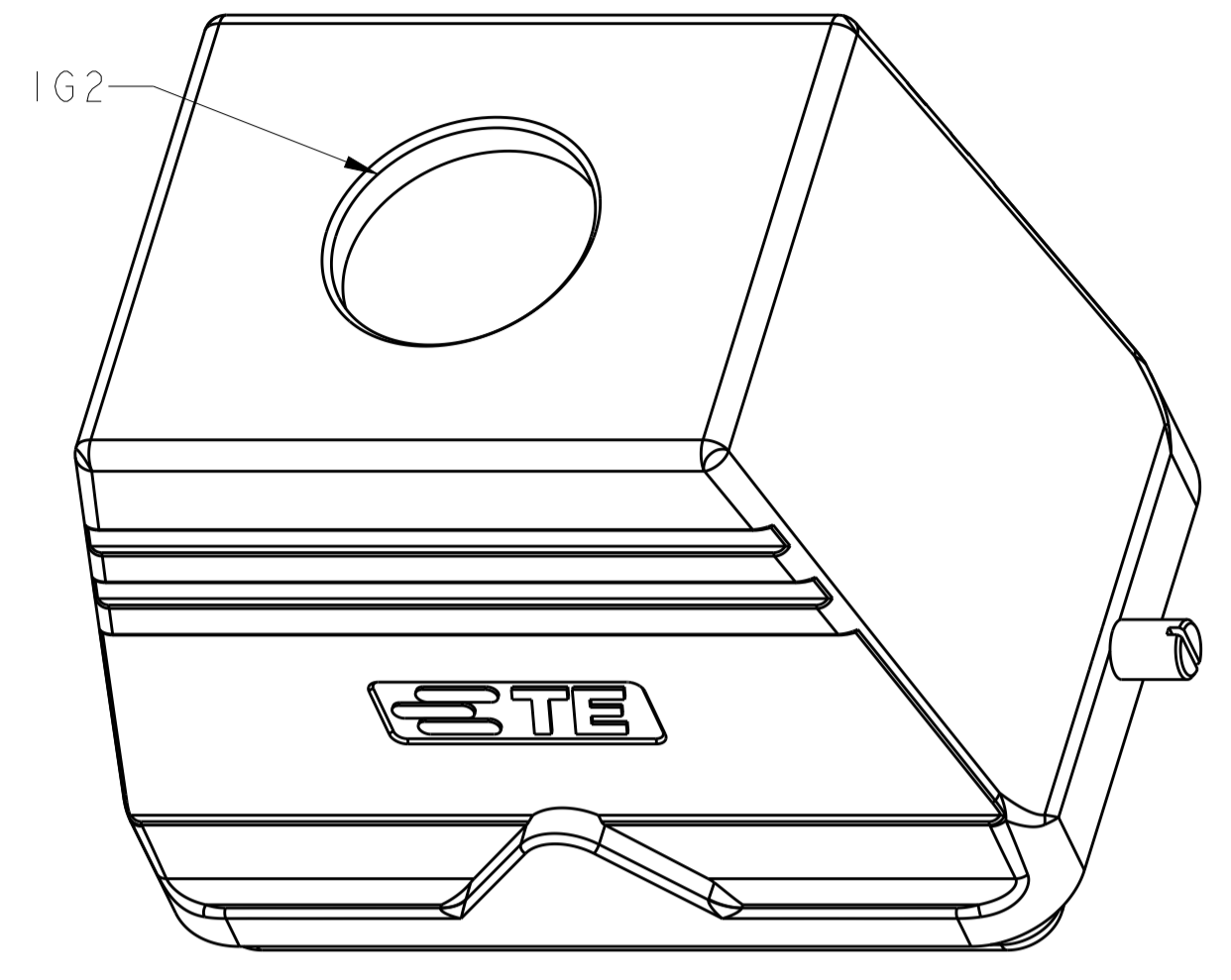
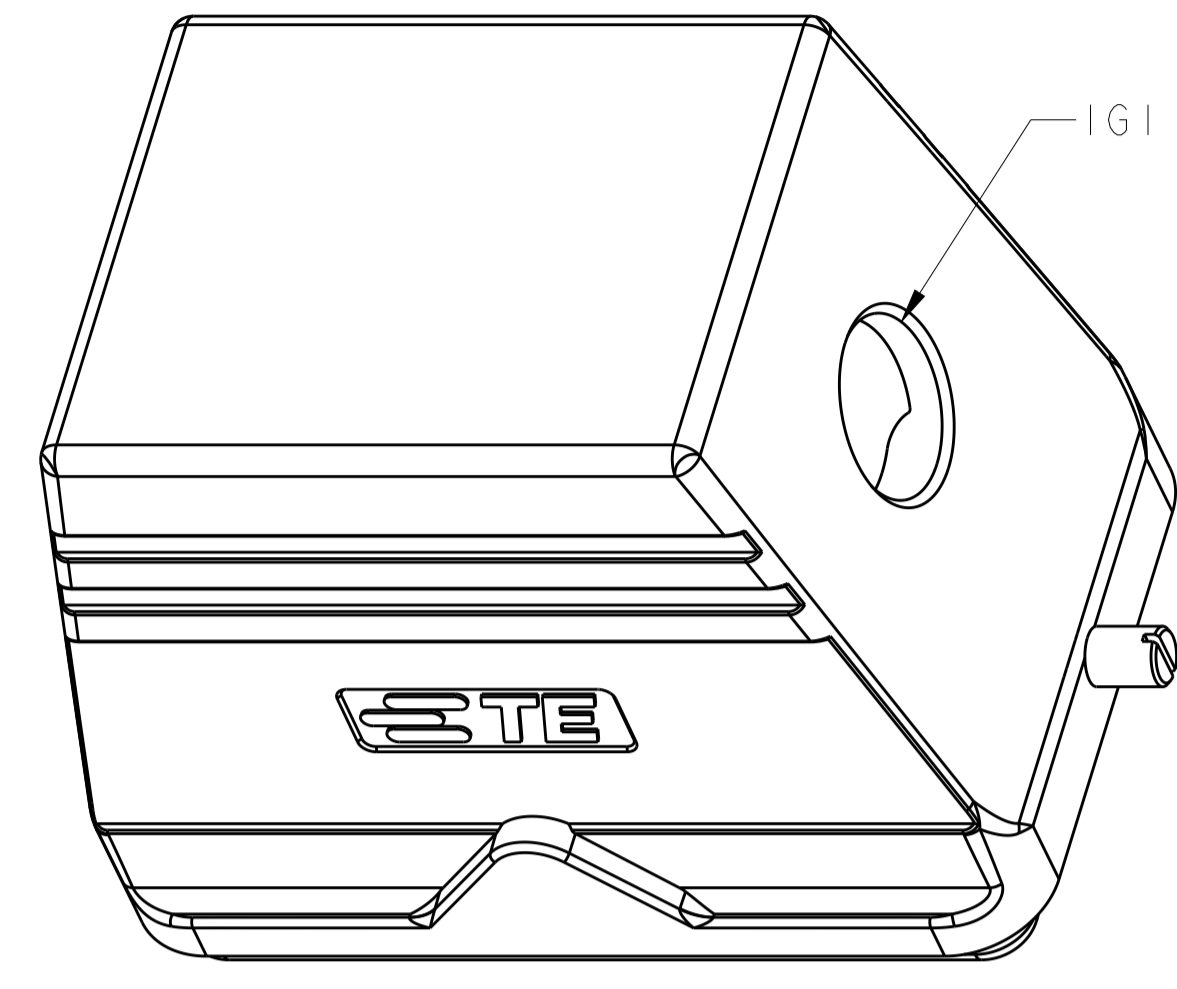
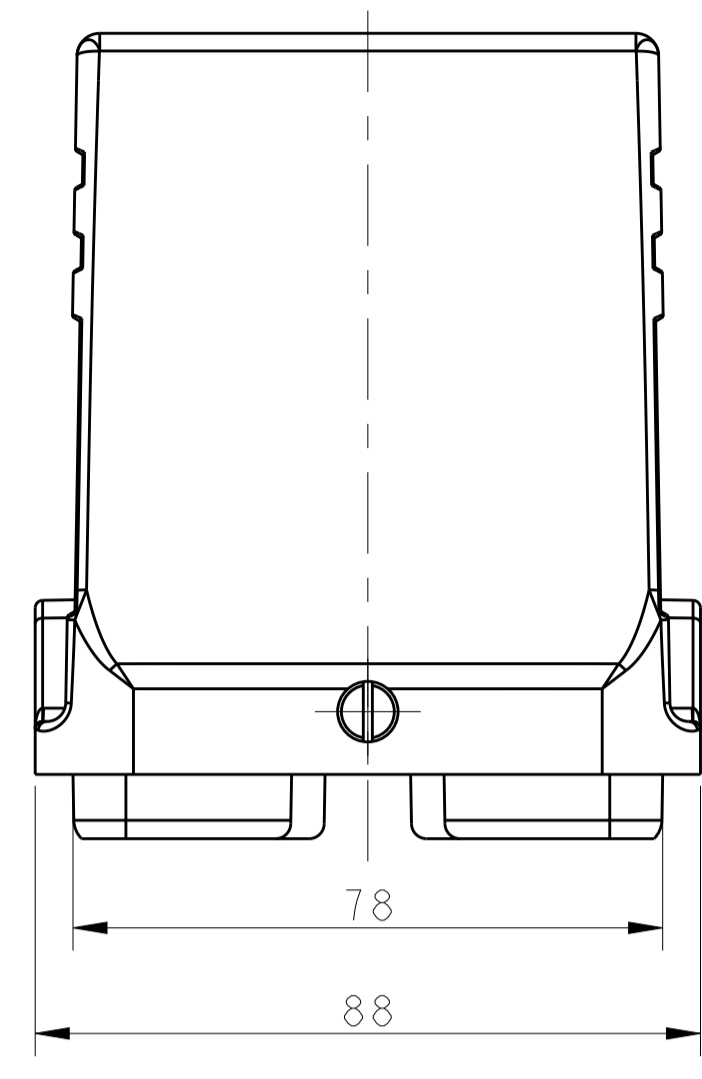
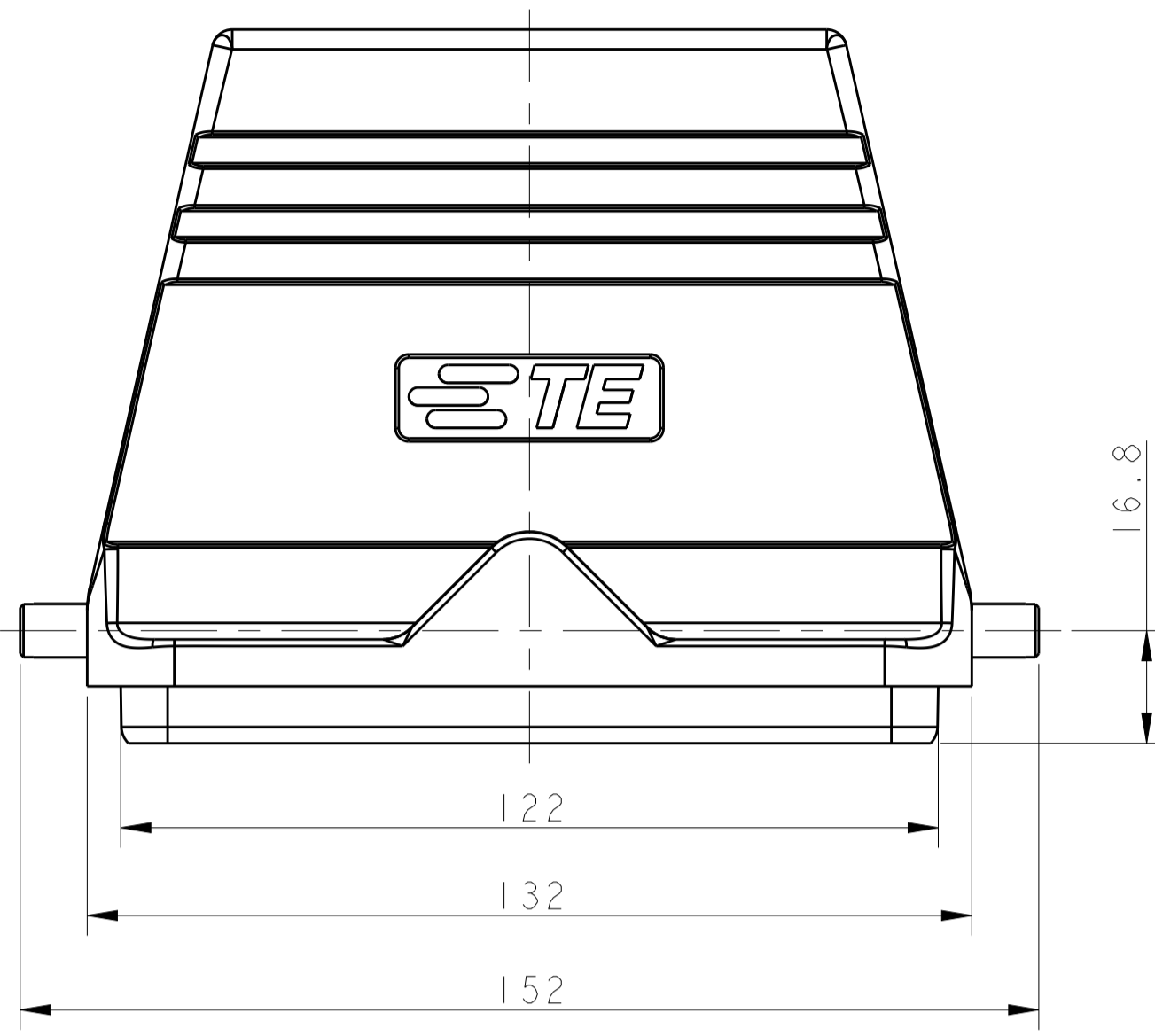


| REVISIONS | | | | | |
|-----------|------|-----------------|-----------|------|-------|
| P. | LTN. | DESCRIPTION | DATE | DWN. | APVD. |
| A | | INITIAL RELEASE | 08JUN2015 | DL | CW |



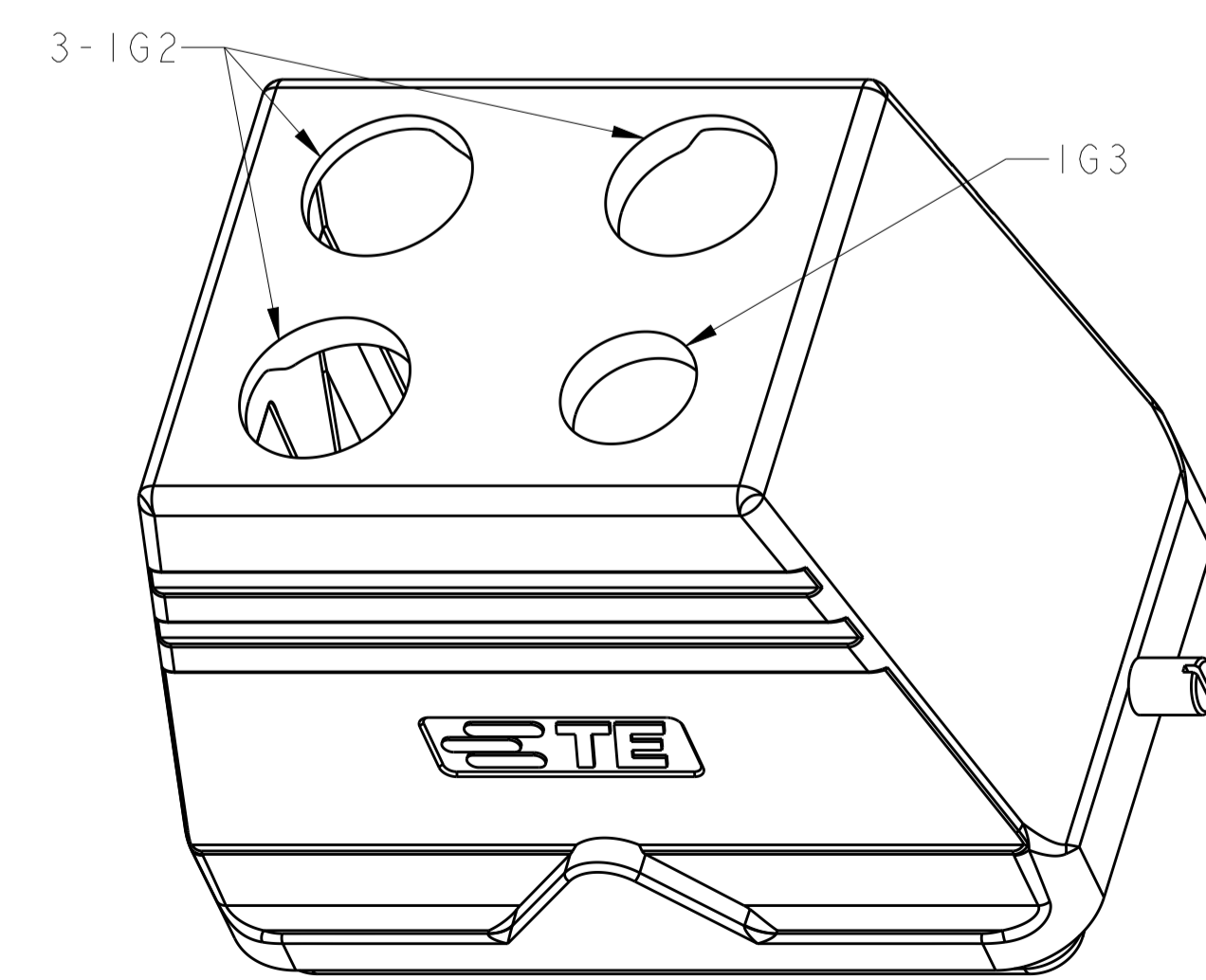
TYPE 1: NO ENTRY

TYPE 2: SIDE ENTRY
OTHER SPEC REFER TO TYPE 1

TYPE 3: TOP ENTRY
OTHER SPEC REFER TO TYPE 1

TYPE 4: SIDE / TOP ENTRY
OTHER SPEC REFER TO TYPE 1

TYPE 5: TOP ENTRY (2 HOLE)
OTHER SPEC REFER TO TYPE 1



TYPE 6: TOP ENTRY (4 HOLE)
OTHER SPEC REFER TO TYPE 1

NOTES:
1. TECHNICAL CHARACTERISTICS:
BODY MATERIAL: DIE CAST ALUMINIUM ALLOY
SURFACE TREATMENT: POWDER-COATED, GRAY
OPERATION TEMPERATURE: -40-+125°C
DEGREE OF PROTECTION: IP65 (MATED)

注释:
1. 技术参数:
主体材料: 铝合金
表面处理: 粉末喷涂, 灰色
工作温度: -40-+125°C
防护等级: IP65(配合)

| | | | | | |
|----------------------|--------|---------------------------|------|-------|-----|
| TI0X0480000-000 | TYPE 1 | H48B-TG/S-RO-XX | - | - | - |
| TI310480125-000 | TYPE 2 | H48B-TS-RO-M25 | M25 | - | - |
| TI310480129-000 | | H48B-TS-RO-PG29 | PG29 | - | - |
| TI310480132-000 | | H48B-TS-RO-M32 | M32 | - | - |
| TI310480136-000 | | H48B-TS-RO-PG36 | PG36 | - | - |
| TI310480140-000 | | H48B-TS-RO-M40 | M40 | - | - |
| TI310480142-000 | | H48B-TS-RO-PG42 | PG42 | - | - |
| TI310480150-000 | TYPE 3 | H48B-TS-RO-M50 | M50 | - | - |
| TI320480129-000 | | H48B-TG-RO-PG29 | - | PG29 | - |
| TI320480132-000 | | H48B-TG-RO-M32 | - | M32 | - |
| TI320480136-000 | | H48B-TG-RO-PG36 | - | PG36 | - |
| TI320480140-000 | | H48B-TG-RO-M40 | - | M40 | - |
| TI320480142-000 | | H48B-TG-RO-PG42 | - | PG42 | - |
| TI320480150-000 | TYPE 4 | H48B-TG-RO-M50 | - | M50 | - |
| TI320480163-000 | | H48B-TG-RO-M63 | - | M63 | - |
| TI320484040-000 | | H48B-TG/TS-RO-M40/M40 | M40 | M40 | - |
| TI320480225-000 | TYPE 5 | H48B-TG-RO-2M25 | - | 2-M25 | - |
| TI320482520-000 | TYPE 6 | H48B-TG-3M25M20 | - | 3-M25 | M20 |
| ASSEMBLY PART NUMBER | TYPE | ASSEMBLY PART DESCRIPTION | IG1 | IG2 | IG3 |

| | | | | | | | | | | | | | | | |
|--|---|------------------------------|--------------------------|-------|---|-------|---|-------|---|-------|---|--------|---|--------------------------|----------|
| THIS DRAWING IS A CONTROLLED DOCUMENT. | | DWN: DAVID LI 08JUN2015 | TE Connectivity | | | | | | | | | | | | |
| DIMENSIONS: mm | | CHK: CHRIS WANG 08JUN2015 | | | | | | | | | | | | | |
| TOLERANCES UNLESS OTHERWISE SPECIFIED: | | APVD: XU YIANG 08JUN2015 | NAME: H48B-TG/TS-RO-PG/M | | | | | | | | | | | | |
| <table border="1"> <tr><td>0 PLC</td><td>±</td></tr> <tr><td>1 PLC</td><td>±</td></tr> <tr><td>2 PLC</td><td>±</td></tr> <tr><td>3 PLC</td><td>±</td></tr> <tr><td>4 PLC</td><td>±</td></tr> <tr><td>ANGLES</td><td>±</td></tr> </table> | | 0 PLC | ± | 1 PLC | ± | 2 PLC | ± | 3 PLC | ± | 4 PLC | ± | ANGLES | ± | PRODUCT SPEC: 108-137013 | SIZE: A1 |
| 0 PLC | ± | | | | | | | | | | | | | | |
| 1 PLC | ± | | | | | | | | | | | | | | |
| 2 PLC | ± | | | | | | | | | | | | | | |
| 3 PLC | ± | | | | | | | | | | | | | | |
| 4 PLC | ± | | | | | | | | | | | | | | |
| ANGLES | ± | | | | | | | | | | | | | | |
| MATERIAL: - | | APPLICATION SPEC: 114-137013 | CAGE CODE: - | | | | | | | | | | | | |
| FINISH: - | | WEIGHT: - | SCALE: 1:1 | | | | | | | | | | | | |
| CUSTOMER DRAWING | | RESTRICTED TO: - | SHEET 1 OF 1 | | | | | | | | | | | | |

X-ON Electronics

Largest Supplier of Electrical and Electronic Components

Click to view similar products for [Heavy Duty Power Connectors](#) category:

Click to view products by [TE Connectivity](#) manufacturer:

Other Similar products are found below :

[1424439](#) [1424438](#) [09330062652](#) [2-8675P1](#) [605601-1](#) [6340G1](#) [6341G1](#) [6360G1](#) [6373G1](#) [6374g2](#) [6396G1](#) [647757-1](#) [66394-4](#) [6643411-1](#)
[6646058-2](#) [6646137-1](#) [6646138-1](#) [6646348-1](#) [6646479-1](#) [6646608-1](#) [6646786-1](#) [6646940-1](#) [6651091-1](#) [6651525-1](#) [6651529-1](#) [6651778-1](#)
[6651788-1](#) [696465-1](#) [696475-1](#) [73000005059](#) [73000005349](#) [73000005642](#) [73080255059](#) [73080965046](#) [765-15-0080A](#) [765-16-0080B](#)
[789.700-44](#) [789.700-54](#) [80-1010](#) [80-9](#) [827381-1](#) [829992-1](#) [902-77-02113](#) [PL00U-301-10D10](#) [PM103MOOLOO](#) [PM16S1620S32-50](#)
[PM212MOOLOO](#) [PM309FOOLOO](#) [PM324FOOLCH](#) [PMHPAF11S03](#)