

THIS DRAWING IS UNPUBLISHED.

RELEASED FOR PUBLICATION

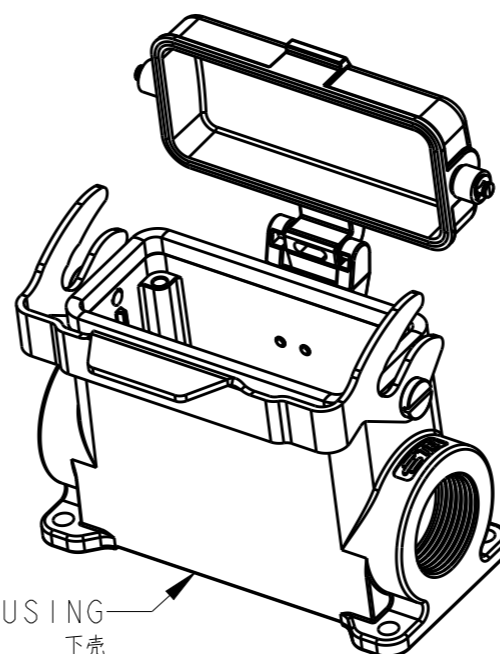
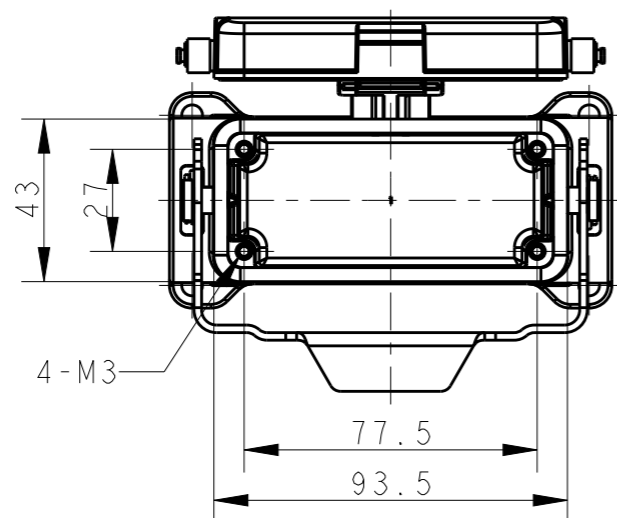
20

© COPYRIGHT 20 BY -

ALL RIGHTS RESERVED.

REVISIONS

P	LTR	DESCRIPTION	DATE	DWN	APVD
	A	INITIAL RELEASE	23JUN2015	DL	CW
	AI	ECR-17-001721	14FEB2017	YC	CW



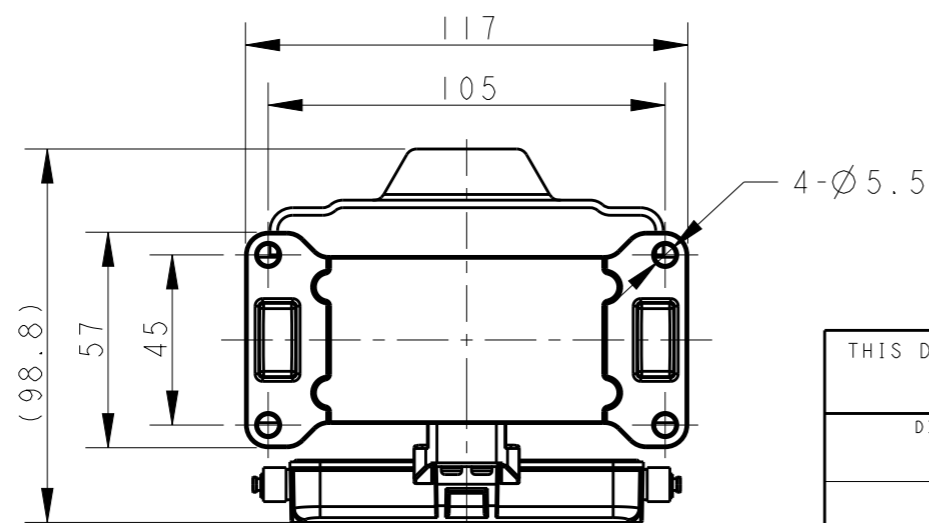
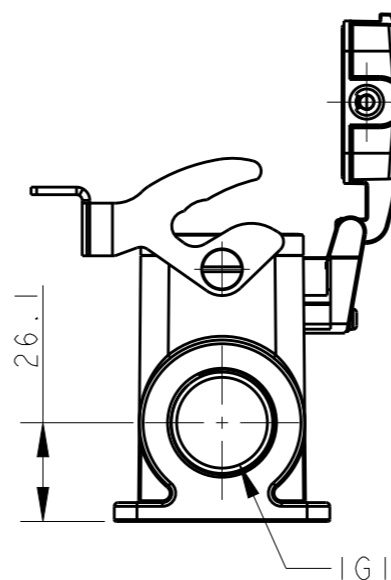
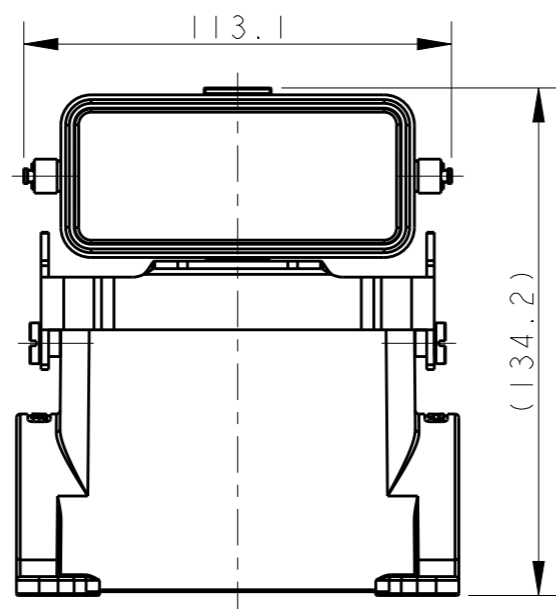
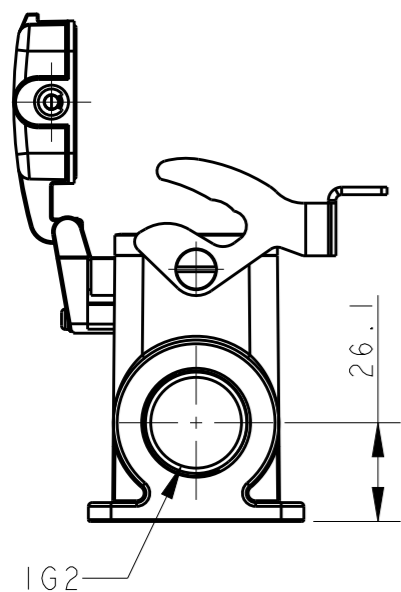
HOUSING
下壳

NOTES:

- 1. TECHNICAL CHARACTERISTICS:
HOUSING MATERIAL: DIE CAST ALUMINIUM ALLOY
SURFACE TREATMENT: POWDER COATED, GREY
DEGREE OF PROTECTION: IP65 (MATED)

注释:

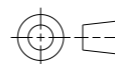
- 1. 技术参数:
下壳材料: 铝合金
表面处理: 粉末喷涂, 灰色
防护等级: IP65(配合)



TYPE 1: T1660163XXX-100 HI6B-SDRHM-LB-PG/M
 类型 1: T1660163XXX-100 HI6B下壳, 表面安装, 彩锌单扣, PG/M, 高结构, 带金属保护盖, 灰色粉末喷涂

THIS DRAWING IS A CONTROLLED DOCUMENT.

DIMENSIONS:
mm



TOLERANCES UNLESS OTHERWISE SPECIFIED:

0 PLC	±-
1 PLC	±-
2 PLC	±-
3 PLC	±-
4 PLC	±-
ANGLES	±-

MATERIAL

FINISH

DWN	DAVID LI	23JUN2015
CHK	CHRIS WANG	23JUN2015
APVD	XIANG XU	23JUN2015

PRODUCT SPEC
108-137013

APPLICATION SPEC
114-137013

WEIGHT -

Customer Drawing



TE Connectivity

NAME
HI6B-SDRHM-LB-PG/M

SIZE	CAGE CODE	DRAWING NO	RESTRICTED TO
------	-----------	------------	---------------

A3 - C-T166016XXXXX00

SCALE	SHEET	OF	REV
1:2	1	3	AI

4

3

2

1

THIS DRAWING IS UNPUBLISHED.

RELEASED FOR PUBLICATION

20

© COPYRIGHT 20 BY -

ALL RIGHTS RESERVED.

REVISIONS

P	LTR	DESCRIPTION	DATE	DWN	APVD
-	-	SEE SHEET 1	-	-	-

(95.1)

HOUSING
下壳

SCALE 3:10

IG1

IG2

109.2

(134.5)

IG1

IG3

HOUSING
下壳

SCALE 3:10

TYPE 2: T1660163XXX-000 HI6B-SDRH-LB-PG/M

OTHER SPEC REFER TO TYPE 1

类型 2: T1660163XXX-000HI6B下壳, 表面安装, 彩锌单扣, PG/M, 高结构, 带塑料保护盖, 灰色粉末喷涂, 其余规范参照类型1

TYPE 3: T1660160932-000 HI6B-SDRH-LB-M32/PG9

OTHER SPEC REFER TO TYPE 2

类型 3: T1660160932-000 HI6B下壳, 表面安装, 彩锌单扣, 侧出PG9, 底出M32, 高结构, 带塑料保护盖, 灰色粉末喷涂, 其余规范参照类型2

THIS DRAWING IS A CONTROLLED DOCUMENT.

DWN 23JUN2015

DAVID LI

CHK 23JUN2015

CHRIS WANG

APVD 23JUN2015

XIANG XU

PRODUCT SPEC

108-137013

APPLICATION SPEC

114-137013

WEIGHT

-

Customer Drawing

TE Connectivity

NAME
HI6B-SDRHM-LB-PG/M

SIZE CAGE CODE DRAWING NO RESTRICTED TO

A3 - C-T166016XXXXX00

SCALE 1:2 SHEET 2 OF 3 REV A1

DIMENSIONS:

mm

TOLERANCES UNLESS OTHERWISE SPECIFIED:

0 PLC	±-
1 PLC	±-
2 PLC	±-
3 PLC	±-
4 PLC	±-
ANGLES	±-

MATERIAL

-

FINISH

-


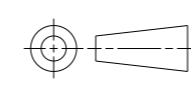
1470-19 (3/13)

THIS DRAWING IS UNPUBLISHED. RELEASED FOR PUBLICATION 20
 © COPYRIGHT 20 BY - ALL RIGHTS RESERVED.

REVISIONS					
P	LTR	DESCRIPTION	DATE	DWN	APVD
	-	SEE SHEET 1	-	-	-

NOTES:
 SEE SHEET 1
 注释:
 参照 SHEET 1

PART NUMBER 料号	PART DESCRIPTION 描述	IG1	IG2	IG3	TYPE 类型
TI660163121-100	H16B HOUSING, SURFACE MOUNTED, METAL SINGLE LOCKING, PG21, HIGH CONSTRUCTION, METAL PROTECTION COVER, POWDER COATED, GREY H16B下壳, 表面安装, 彩锌单扣, PG21, 高结构, 带金属保护盖, 灰色粉末喷涂	PG21	-	-	TYPE 1 类型1
TI660163129-100	H16B HOUSING, SURFACE MOUNTED, METAL SINGLE LOCKING, PG29, HIGH CONSTRUCTION, METAL PROTECTION COVER, POWDER COATED, GREY H16B下壳, 表面安装, 彩锌单扣, PG29, 高结构, 带金属保护盖, 灰色粉末喷涂	PG29	-	-	
TI660163132-100	H16B HOUSING, SURFACE MOUNTED, METAL SINGLE LOCKING, M32, HIGH CONSTRUCTION, METAL PROTECTION COVER, POWDER COATED, GREY H16B下壳, 表面安装, 彩锌单扣, M32, 高结构, 带金属保护盖, 灰色粉末喷涂	M32	-	-	
TI660163221-100	H16B HOUSING, SURFACE MOUNTED, METAL SINGLE LOCKING, 2PG21, HIGH CONSTRUCTION, METAL PROTECTION COVER, POWDER COATED, GREY H16B下壳, 表面安装, 彩锌单扣, 2PG21, 高结构, 带金属保护盖, 灰色粉末喷涂	PG21	PG21	-	
TI660163229-100	H16B HOUSING, SURFACE MOUNTED, METAL SINGLE LOCKING, 2PG29, HIGH CONSTRUCTION, METAL PROTECTION COVER, POWDER COATED, GREY H16B下壳, 表面安装, 彩锌单扣, 2PG29, 高结构, 带金属保护盖, 灰色粉末喷涂	PG29	PG29	-	
TI660163232-100	H16B HOUSING, SURFACE MOUNTED, METAL SINGLE LOCKING, 2M32, HIGH CONSTRUCTION, METAL PROTECTION COVER, POWDER COATED, GREY H16B下壳, 表面安装, 彩锌单扣, 2M32, 高结构, 带金属保护盖, 灰色粉末喷涂	M32	M32	-	
TI660163121-000	H16B HOUSING, SURFACE MOUNTED, METAL SINGLE LOCKING, PG21, HIGH CONSTRUCTION, PLASTIC PROTECTION COVER, POWDER COATED, GREY H16B下壳, 表面安装, 彩锌单扣, PG21, 高结构, 带塑料保护盖, 灰色粉末喷涂	PG21	-	-	TYPE 2 类型2
TI660163129-000	H16B HOUSING, SURFACE MOUNTED, METAL SINGLE LOCKING, PG29, HIGH CONSTRUCTION, PLASTIC PROTECTION COVER, POWDER COATED, GREY H16B下壳, 表面安装, 彩锌单扣, PG29, 高结构, 带塑料保护盖, 灰色粉末喷涂	PG29	-	-	
TI660163125-000	H16B HOUSING, SURFACE MOUNTED, METAL SINGLE LOCKING, M25, HIGH CONSTRUCTION, PLASTIC PROTECTION COVER, POWDER COATED, GREY H16B下壳, 表面安装, 彩锌单扣, M25, 高结构, 带塑料保护盖, 灰色粉末喷涂	M25	-	-	
TI660163132-000	H16B HOUSING, SURFACE MOUNTED, METAL SINGLE LOCKING, M32, HIGH CONSTRUCTION, PLASTIC PROTECTION COVER, POWDER COATED, GREY H16B下壳, 表面安装, 彩锌单扣, M32, 高结构, 带塑料保护盖, 灰色粉末喷涂	M32	-	-	
TI660163221-000	H16B HOUSING, SURFACE MOUNTED, METAL SINGLE LOCKING, 2PG21, HIGH CONSTRUCTION, PLASTIC PROTECTION COVER, POWDER COATED, GREY H16B下壳, 表面安装, 彩锌单扣, 2PG21, 高结构, 带塑料保护盖, 灰色粉末喷涂	PG21	PG21	-	
TI660163229-000	H16B HOUSING, SURFACE MOUNTED, METAL SINGLE LOCKING, 2PG29, HIGH CONSTRUCTION, PLASTIC PROTECTION COVER, POWDER COATED, GREY H16B下壳, 表面安装, 彩锌单扣, 2PG29, 高结构, 带塑料保护盖, 灰色粉末喷涂	PG29	PG29	-	
TI660163232-000	H16B HOUSING, SURFACE MOUNTED, METAL SINGLE LOCKING, 2M32, HIGH CONSTRUCTION, PLASTIC PROTECTION COVER, POWDER COATED, GREY H16B下壳, 表面安装, 彩锌单扣, 2M32, 高结构, 带塑料保护盖, 灰色粉末喷涂	M32	M32	-	
TI660160932-000	H16B HOUSING, SURFACE MOUNTED, METAL SINGLE LOCKING, SIDE ENTRY PG9, BOTTOM ENTRY M32, HIGH CONSTRUCTION, PLASTIC PROTECTION COVER, POWDER COATED, GREY / H16B下壳, 表面安装, 彩锌单扣, 侧出PG9, 底出M32, 高结构, 带塑料保护盖, 灰色粉末喷涂	PG9	-	M32	TYPE 3 类型3

THIS DRAWING IS A CONTROLLED DOCUMENT.		DWN 23JUN2015 DAVID LI	 TE Connectivity	
DIMENSIONS: mm		CHK 23JUN2015 CHRIS WANG		
TOLERANCES UNLESS OTHERWISE SPECIFIED:		APVD 23JUN2015 XIANG XU	NAME H16B-SDRHM-LB-PG/M	
		PRODUCT SPEC 108-137013	DRAWING NO	
MATERIAL		APPLICATION SPEC 114-137013	SIZE A3	CAGE CODE
FINISH		WEIGHT	DRAWING NO C-TI66016XXXXX00	
		CUSTOMER DRAWING	RESTRICTED TO	
		SCALE 1:2	SHEET 3 OF 3	REV A1

X-ON Electronics

Largest Supplier of Electrical and Electronic Components

Click to view similar products for [Heavy Duty Power Connectors](#) category:

Click to view products by [TE Connectivity](#) manufacturer:

Other Similar products are found below :

[1424439](#) [1424438](#) [09330062652](#) [2-8675P1](#) [605601-1](#) [6340G1](#) [6341G1](#) [6360G1](#) [6373G1](#) [6374g2](#) [6396G1](#) [647757-1](#) [66394-4](#) [6643411-1](#)
[6646058-2](#) [6646137-1](#) [6646138-1](#) [6646348-1](#) [6646479-1](#) [6646608-1](#) [6646786-1](#) [6646940-1](#) [6651091-1](#) [6651525-1](#) [6651529-1](#) [6651778-1](#)
[6651788-1](#) [696465-1](#) [696475-1](#) [73000005059](#) [73000005349](#) [73000005642](#) [73080255059](#) [73080965046](#) [765-15-0080A](#) [765-16-0080B](#)
[789.700-44](#) [789.700-54](#) [80-1010](#) [80-9](#) [827381-1](#) [829992-1](#) [902-77-02113](#) [PL00U-301-10D10](#) [PM103MOOLOO](#) [PM16S1620S32-50](#)
[PM212MOOLOO](#) [PM309FOOLOO](#) [PM324FOOLCH](#) [PMHPAF11S03](#)