

THIS DRAWING IS UNPUBLISHED.

RELEASED FOR PUBLICATION

20

© COPYRIGHT 20 BY -

ALL RIGHTS RESERVED.

REVISIONS

P	LTR	DESCRIPTION	DATE	DWN	APVD
	A	INITIAL RELEASE	23JUN2015	DL	CW
	A1	ECR-17-001721	13FEB2017	YC	CW
	A2	ECR-17-012365	26AUG2017	RL	CW

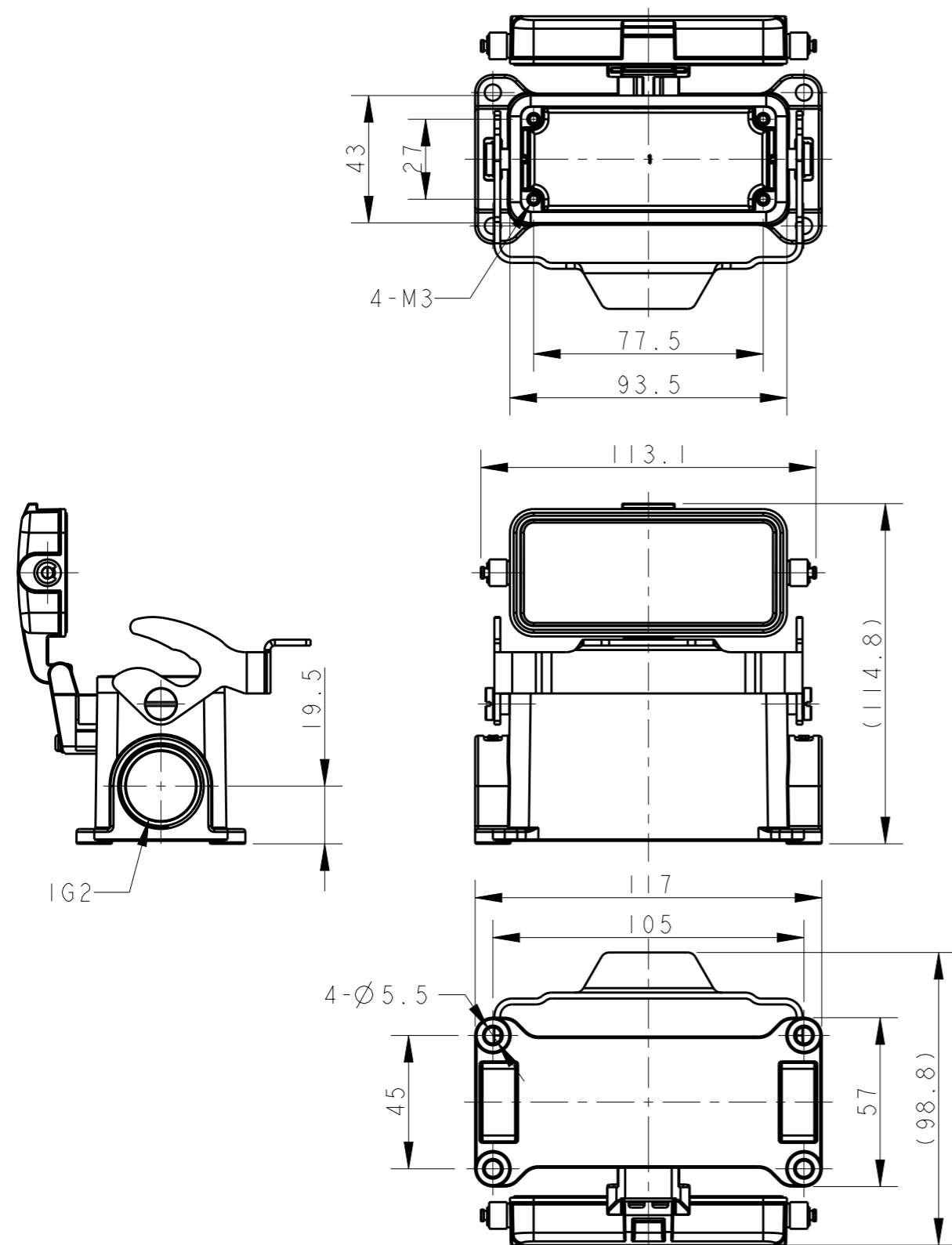
NOTES:

1. TECHNICAL CHARACTERISTICS:
 HOUSING MATERIAL: DIE CAST ALUMINIUM ALLOY
 SURFACE TREATMENT: POWDER COATED, GREY
 DEGREE OF PROTECTION: IP65 (MATED)

注释:

1. 技术参数:
 下壳材料: 铝合金
 表面处理: 粉末喷涂, 灰色
 防护等级: IP65(配合)

HOUSING
下壳

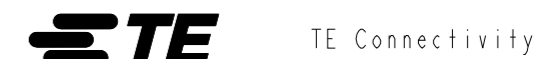


TYPE 1: T1620163XXX-000 H16B-SDRM-LB-PG/M
 类型 1: T1620163XXX-000 H16B下壳, 表面安装, 彩锌单扣, PG/M,
 带金属保护盖, 灰色粉末喷涂

THIS DRAWING IS A CONTROLLED DOCUMENT.

DIMENSIONS: mm		TOLERANCES UNLESS OTHERWISE SPECIFIED:	
		0 PLC	±-
		1 PLC	±-
		2 PLC	±-
		3 PLC	±-
		4 PLC	±-
		ANGLES	±-
MATERIAL		FINISH	
-		-	

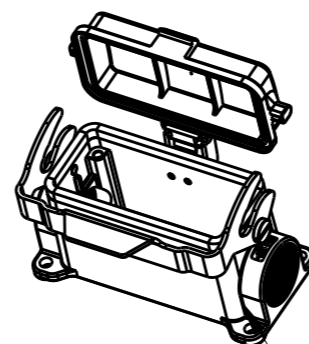
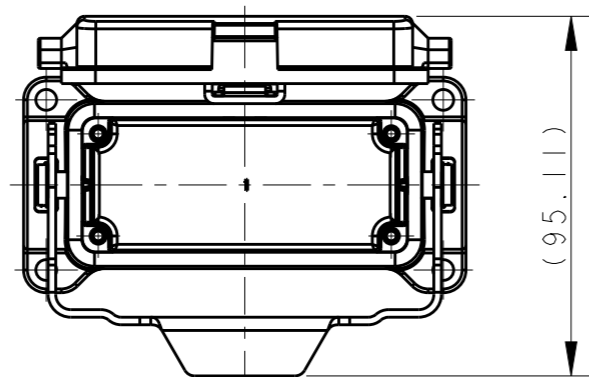
DWN	23JUN2015
DAVID LI	
CHK	23JUN2015
CHRIS WANG	
APVD	23JUN2015
XIANG XU	
PRODUCT SPEC	108-137013
APPLICATION SPEC	114-137013
WEIGHT	-
CUSTOMER DRAWING	



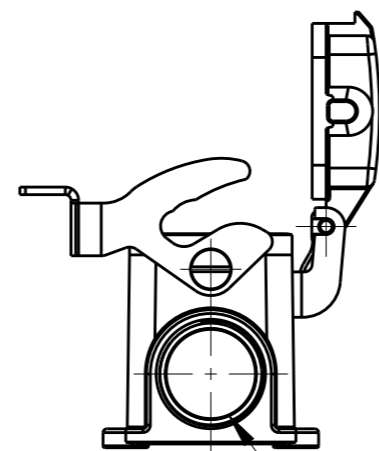
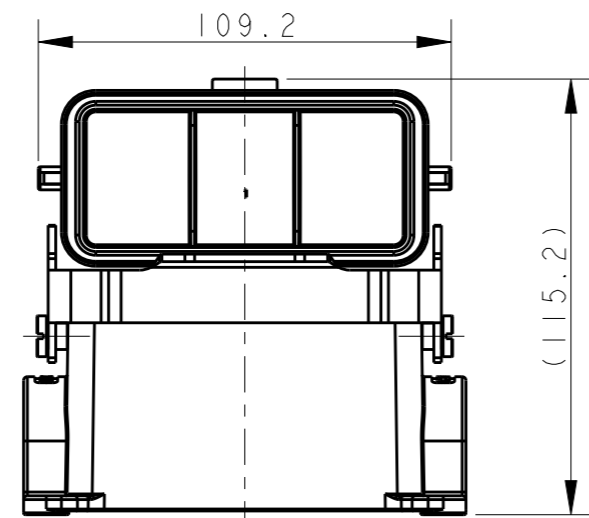
NAME H16B-SDRM-LB-PG/M			
SIZE	CAGE CODE	DRAWING NO	RESTRICTED TO
A3	-	©-T162016XXXXX00	-
SCALE 1:2		SHEET 1 OF 3	REV A2

REVISIONS

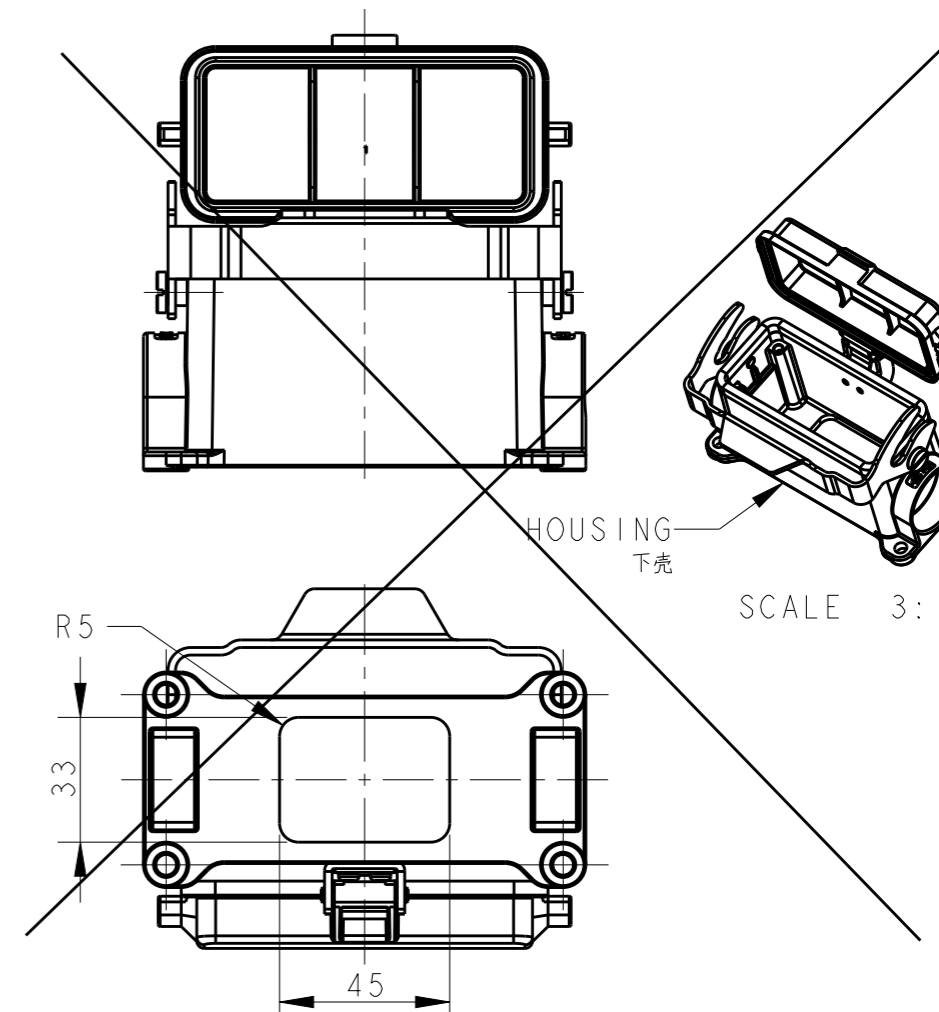
P	LTR	DESCRIPTION	DATE	DWN	APVD
-	-	SEE SHEET 1	-	-	-



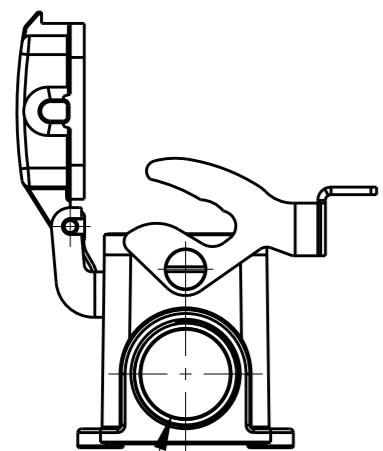
SCALE 3:10 HOUSING 下壳



IG1



SCALE 3:10

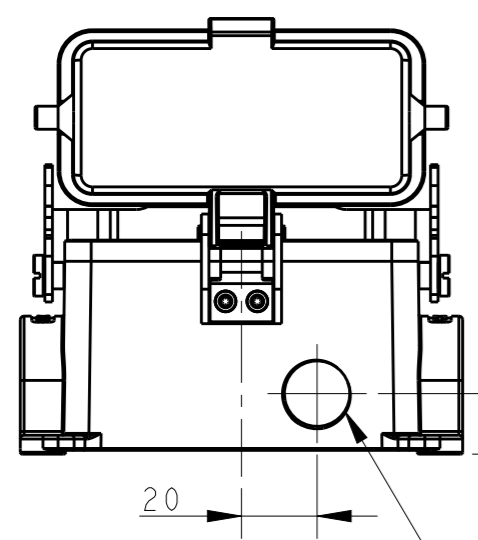


IG2

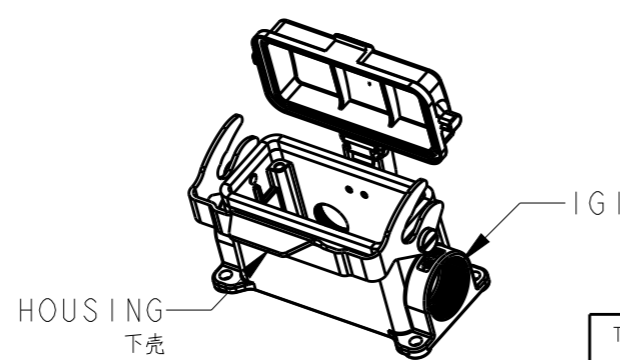
TYPE 2: T1620163XXX-000 HI6B-SDR-LB-PG/M
 OTHER SPEC REFER TO TYPE 1
 类型 2: T1620163XXX-000 HI6B下壳, 表面安装, 彩锌单扣, PG/M, 带塑料保护盖, 灰色粉末喷涂, 其余规范参照类型1

TYPE 4: T1620163132-100 HI6B-SDR-LB-M32
 OTHER SPEC REFER TO TYPE 2
 类型 4: T1620163132-100 HI6B下壳, 表面安装, 彩锌单扣, M32, 带塑料保护盖, 底部铣槽, 灰色粉末喷涂, 其余规范参照类型2

OBSOLETE TYPE 4 PN
 废除类型4料号



IG3



SCALE 3:10

TYPE 3: T1620162111-000 HI6B-SDR-LB-PG11/PG21
 OTHER SPEC REFER TO TYPE 2
 类型 3: T1620162111-000 HI6B下壳, 表面安装, 彩锌单扣, PG11 + 正面PG21, 带塑料保护盖, 灰色粉末喷涂, 其余规范参照类型2

THIS DRAWING IS A CONTROLLED DOCUMENT.		DWN DAVID LI 23JUN2015	TE Connectivity	
DIMENSIONS: mm		CHK CHRIS WANG 23JUN2015		
TOLERANCES UNLESS OTHERWISE SPECIFIED:		APVD XIANG XU 23JUN2015	NAME HI6B-SDRM-LB-PG/M	
0 PLC ±- 1 PLC ±- 2 PLC ±- 3 PLC ±- 4 PLC ±- ANGLES ±-		PRODUCT SPEC 108-137013	SIZE A3	
MATERIAL -		APPLICATION SPEC 114-137013	CAGE CODE -	DRAWING NO C-T162016XXXXX00
FINISH -		WEIGHT -	RESTRICTED TO -	SCALE 1:2
		CUSTOMER DRAWING	SHEET 2 OF 3	REV A2

THIS DRAWING IS UNPUBLISHED. RELEASED FOR PUBLICATION 20
 © COPYRIGHT 20 BY - ALL RIGHTS RESERVED.


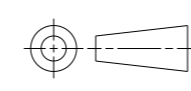
REVISIONS					
P	LTR	DESCRIPTION	DATE	DWN	APVD
	-	SEE SHEET 1	-	-	-

NOTES:
 SEE SHEET 1
 注释:
 参照 SHEET 1

PART NUMBER 料号	PART DESCRIPTION 描述	IG1	IG2	IG3	TYPE 类型
T1620163421-000	H16B-HOUSING,SURFACE MOUNTED,METAL SINGLE LOCKING,PG21,METAL PROTECTION COVER,POWDER COATED,GREY H16B下壳,表面安装,彩锌单扣,PG21,带金属保护盖,灰色粉末喷涂	PG21	-	-	TYPE 1 类型1
T1620163425-000	H16B-HOUSING,SURFACE MOUNTED,METAL SINGLE LOCKING,M25,METAL PROTECTION COVER,POWDER COATED,GREY H16B下壳,表面安装,彩锌单扣,M25,带金属保护盖,灰色粉末喷涂	M25	-	-	
T1620163321-000	H16B-HOUSING,SURFACE MOUNTED,METAL SINGLE LOCKING,2PG21,METAL PROTECTION COVER,POWDER COATED,GREY H16B下壳,表面安装,彩锌单扣,2PG21,带金属保护盖,灰色粉末喷涂	PG21	PG21	-	
T1620163325-000	H16B-HOUSING,SURFACE MOUNTED,METAL SINGLE LOCKING,2M25,METAL PROTECTION COVER,POWDER COATED,GREY H16B下壳,表面安装,彩锌单扣,2M25,带金属保护盖,灰色粉末喷涂	M25	M25	-	
T1620163121-000	H16B-HOUSING,SURFACE MOUNTED,METAL SINGLE LOCKING,PG21,PLASTIC PROTECTION COVER,POWDER COATED,GREY H16B下壳,表面安装,彩锌单扣,PG21,带塑料保护盖,灰色粉末喷涂	PG21	-	-	TYPE 2 类型2
T1620163120-000	H16B-HOUSING,SURFACE MOUNTED,METAL SINGLE LOCKING,M20,PLASTIC PROTECTION COVER,POWDER COATED,GREY H16B下壳,表面安装,彩锌单扣,M20,带塑料保护盖,灰色粉末喷涂	M20	-	-	
T1620163125-000	H16B-HOUSING,SURFACE MOUNTED,METAL SINGLE LOCKING,M25,PLASTIC PROTECTION COVER,POWDER COATED,GREY H16B下壳,表面安装,彩锌单扣,M25,带塑料保护盖,灰色粉末喷涂	M25	-	-	
T1620163132-000	H16B-SDR-LB-M32 H16B下壳,表面安装,彩锌单扣,M32,带塑料保护盖,灰色粉末喷涂	M32			
T1620163220-000	H16B-HOUSING,SURFACE MOUNTED,METAL SINGLE LOCKING,2M20,PLASTIC PROTECTION COVER,POWDER COATED,GREY H16B下壳,表面安装,彩锌单扣,2M20,带塑料保护盖,灰色粉末喷涂	M20	M20	-	
T1620163221-000	H16B-HOUSING,SURFACE MOUNTED,METAL SINGLE LOCKING,2PG21,PLASTIC PROTECTION COVER,POWDER COATED,GREY H16B下壳,表面安装,彩锌单扣,2PG21,带塑料保护盖,灰色粉末喷涂	PG21	PG21	-	
T1620163225-000	H16B-HOUSING,SURFACE MOUNTED,METAL SINGLE LOCKING,2M25,PLASTIC PROTECTION COVER,POWDER COATED,GREY H16B下壳,表面安装,彩锌单扣,2M25,带塑料保护盖,灰色粉末喷涂	M25	M25	-	
T1620162111-000	H16B-HOUSING,SURFACE MOUNTED,METAL SINGLE LOCKING,PG11+FRONT ENTRY PG21,PLASTIC PROTECTION COVER,POWDER COATED,GREY H16B下壳,表面安装,彩锌单扣,PG11+正面PG21,带塑料保护盖,灰色粉末喷涂	PG21	-	PG11	TYPE 3 类型3
T1620163132-100	H16B-SDR-LB-M32/T H16B下壳,表面安装,彩锌单扣,M32,带塑料保护盖,底部铣槽,灰色粉末喷涂	M32			TYPE 4 类型4

OBSOLETE
废除

OBSOLETE
废除

THIS DRAWING IS A CONTROLLED DOCUMENT.		DWN 23JUN2015 DAVID LI	 TE Connectivity			
DIMENSIONS: mm		CHK 23JUN2015 CHRIS WANG			NAME H16B-SDRM-LB-PG/M	
TOLERANCES UNLESS OTHERWISE SPECIFIED:		APVD 23JUN2015 XIANG XU				
		PRODUCT SPEC 108-137013				
MATERIAL	FINISH	APPLICATION SPEC 114-137013	SIZE A3	CAGE CODE -	DRAWING NO C-T162016XXXXX00	RESTRICTED TO -
CUSTOMER DRAWING		WEIGHT -	SCALE 1:2	SHEET 3 OF 3	REV A2	

X-ON Electronics

Largest Supplier of Electrical and Electronic Components

Click to view similar products for [Heavy Duty Power Connectors](#) category:

Click to view products by [TE Connectivity](#) manufacturer:

Other Similar products are found below :

[1424439](#) [1424438](#) [09330062652](#) [2-8675P1](#) [605601-1](#) [6340G1](#) [6341G1](#) [6360G1](#) [6373G1](#) [6374g2](#) [6396G1](#) [647757-1](#) [66394-4](#) [6643411-1](#)
[6646058-2](#) [6646137-1](#) [6646138-1](#) [6646348-1](#) [6646479-1](#) [6646608-1](#) [6646786-1](#) [6646940-1](#) [6651091-1](#) [6651525-1](#) [6651529-1](#) [6651778-1](#)
[6651788-1](#) [696465-1](#) [696475-1](#) [73000005059](#) [73000005349](#) [73000005642](#) [73080255059](#) [73080965046](#) [765-15-0080A](#) [765-16-0080B](#)
[789.700-44](#) [789.700-54](#) [80-1010](#) [80-9](#) [827381-1](#) [829992-1](#) [902-77-02113](#) [PL00U-301-10D10](#) [PM103MOOLOO](#) [PM16S1620S32-50](#)
[PM212MOOLOO](#) [PM309FOOLOO](#) [PM324FOOLCH](#) [PMHPAF11S03](#)