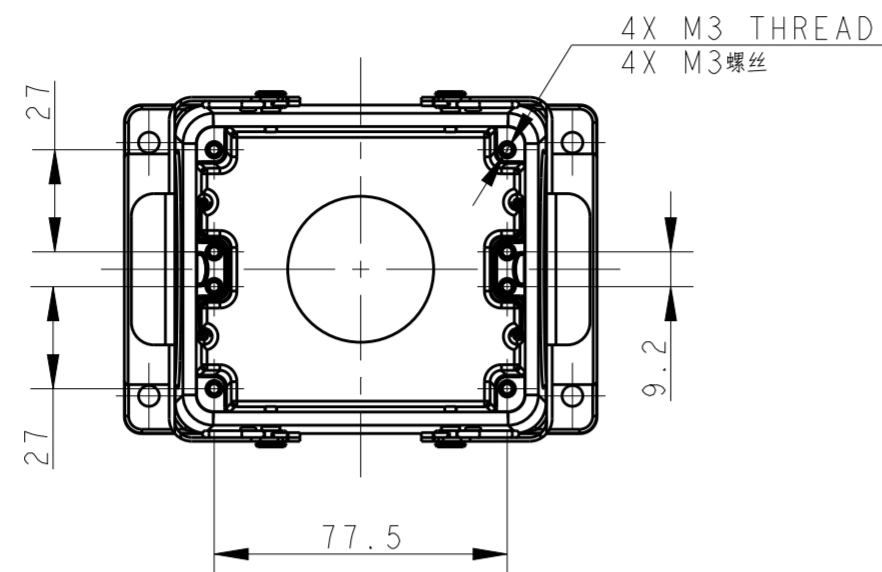


THIS DRAWING IS UNPUBLISHED. RELEASED FOR PUBLICATION 20  
 © COPYRIGHT 20 BY - ALL RIGHTS RESERVED.

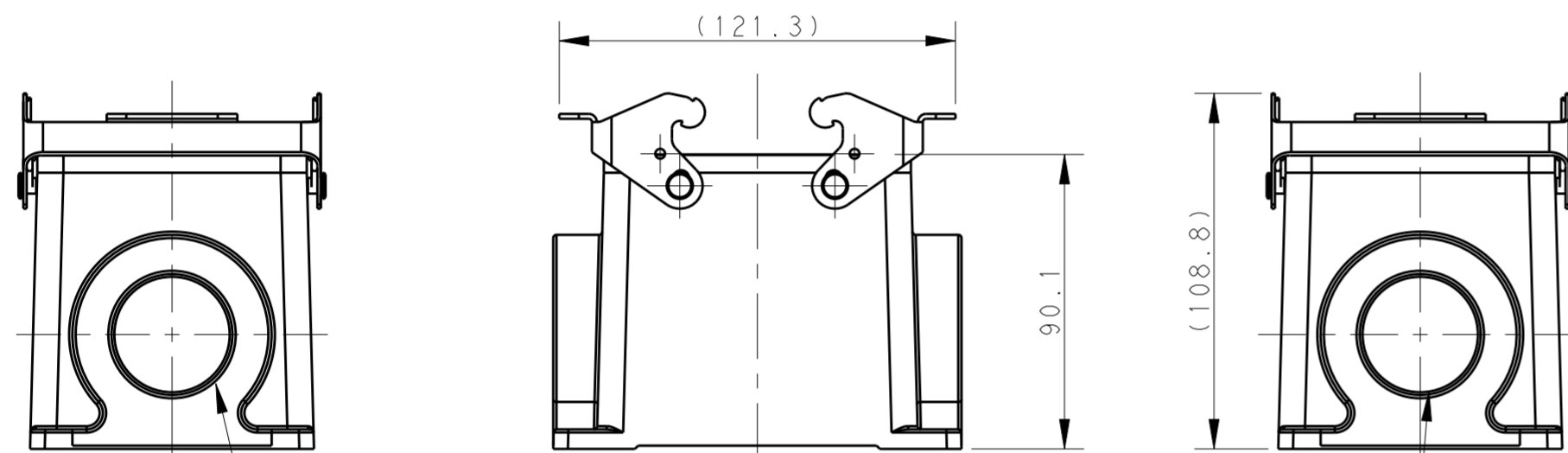
REVISIONS					
P	LTR	DESCRIPTION	DATE	DWN	APVD
A		INITIAL RELEASE	04JUN2015	DL	CW
A1		ECR-17-000247	09JAN2017	BS	CW



NOTES:

1. TECHNICAL CHARACTERISTICS:  
 HOUSING MATERIAL: DIE CAST ALUMINIUM ALLOY  
 HOUSING SURFACE: POWDER COATED, GREY  
 DEGREE OF PROTECTION: IP65 (MATED)

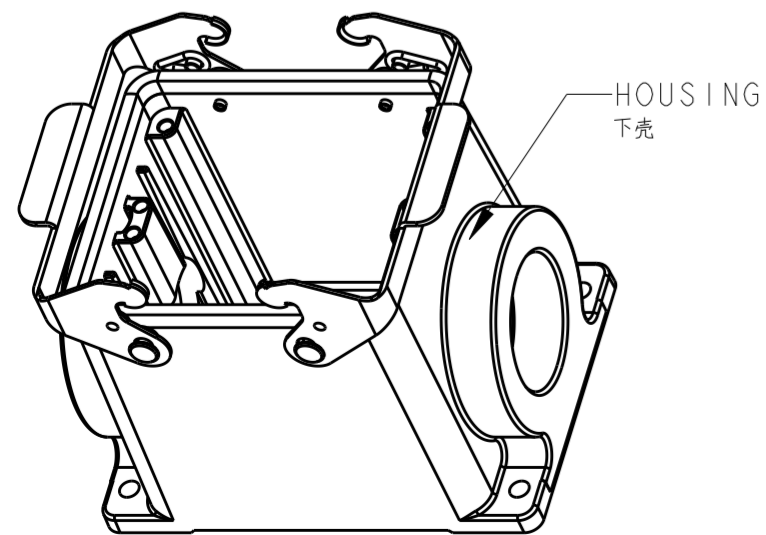
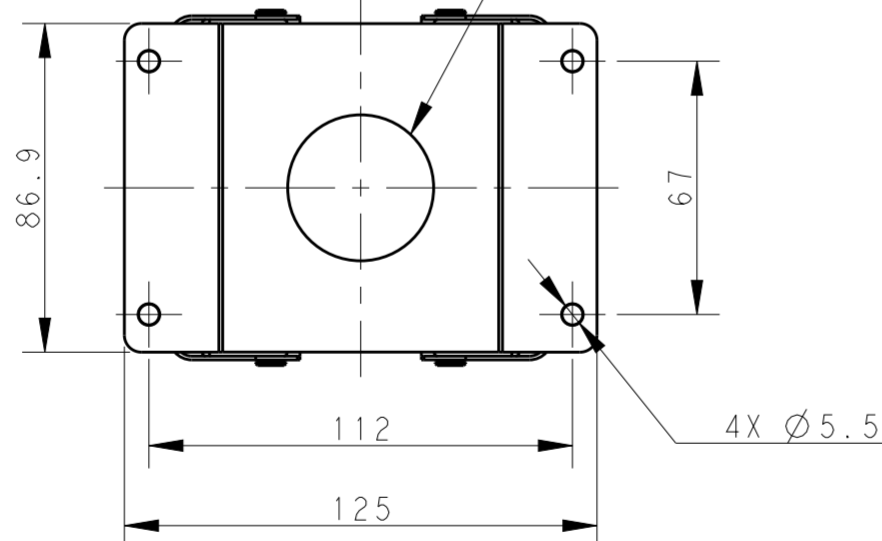
- 注释:  
 1. 技术参数:  
 下壳材料: 铝合金  
 下壳表面处理: 灰色粉末喷涂  
 防护等级: IP65 (配合)



PG/M THREAD-2  
螺纹孔-2

PG/M THREAD-3  
螺纹孔-3

PG/M THREAD-1  
螺纹孔-1



T1440322129-000	H32B-SGR-PG29	H32B HOUSING, SURFACE MOUNTED, METAL DOUBLE LOCKING, PG29, POWDER COATED, GREY H32B下壳, 表面安装, 彩锌双扣, PG29, 灰色粉末喷涂	PG29	-	-
T1440322132-000	H32B-SGR-M32	H32B HOUSING, SURFACE MOUNTED, METAL DOUBLE LOCKING, M32, POWDER COATED, GREY H32B下壳, 表面安装, 彩锌双扣, M32, 灰色粉末喷涂	M32	-	-
T1440322136-000	H32B-SGR-PG36	H32B HOUSING, SURFACE MOUNTED, METAL DOUBLE LOCKING, PG36, POWDER COATED, GREY H32B下壳, 表面安装, 彩锌双扣, PG36, 灰色粉末喷涂	PG36	-	-
T1440322140-000	H32B-SGR-M40	H32B HOUSING, SURFACE MOUNTED, METAL DOUBLE LOCKING, M40, POWDER COATED, GREY H32B下壳, 表面安装, 彩锌双扣, M40, 灰色粉末喷涂	M40	-	-
T1440322142-000	H32B-SGR-PG42	H32B HOUSING, SURFACE MOUNTED, METAL DOUBLE LOCKING, PG42, POWDER COATED, GREY H32B下壳, 表面安装, 彩锌双扣, PG42, 灰色粉末喷涂	PG42	-	-
T1440322150-000	H32B-SGR-M50	H32B HOUSING, SURFACE MOUNTED, METAL DOUBLE LOCKING, M50, POWDER COATED, GREY H32B下壳, 表面安装, 彩锌双扣, M50, 灰色粉末喷涂	M50	-	-
T1440322229-000	H32B-SGR-2PG29	H32B HOUSING, SURFACE MOUNTED, METAL DOUBLE LOCKING, 2PG29, POWDER COATED, GREY H32B下壳, 表面安装, 彩锌双扣, 2PG29, 灰色粉末喷涂	PG29	PG29	-
T1440322232-000	H32B-SGR-2M32	H32B HOUSING, SURFACE MOUNTED, METAL DOUBLE LOCKING, 2M32, POWDER COATED, GREY H32B下壳, 表面安装, 彩锌双扣, 2M32, 灰色粉末喷涂	M32	M32	-
T1440322236-000	H32B-SGR-2PG36	H32B HOUSING, SURFACE MOUNTED, METAL DOUBLE LOCKING, 2PG36, POWDER COATED, GREY H32B下壳, 表面安装, 彩锌双扣, 2PG36, 灰色粉末喷涂	PG36	PG36	-
T1440322240-000	H32B-SGR-2M40	H32B HOUSING, SURFACE MOUNTED, METAL DOUBLE LOCKING, 2M40, POWDER COATED, GREY H32B下壳, 表面安装, 彩锌双扣, 2M40, 灰色粉末喷涂	M40	M40	-
T1440322250-000	H32B-SGR-2M50	H32B HOUSING, SURFACE MOUNTED, METAL DOUBLE LOCKING, 2M50, POWDER COATED, GREY H32B下壳, 表面安装, 彩锌双扣, 2M50, 灰色粉末喷涂	M50	M50	-
T1440322140-001	H32B-SGR-M40/M40	H32B HOUSING, SURFACE MOUNTED, METAL DOUBLE LOCKING, SIDE ENTRY M40, BOTTOM ENTRY M40, POWDER COATED, GREY H32B下壳, 表面安装, 彩锌双扣, 侧出M40, 底出M40, 灰色粉末喷涂	M40	-	M40
PART NUMBER 料号	PART DESCRIPTION 描述		PG/M THREAD-1 螺纹孔-1	PG/M THREAD-2 螺纹孔-2	PG/M THREAD-3 螺纹孔-3

THIS DRAWING IS A CONTROLLED DOCUMENT.

DWN: DAVID LI 04JUN2015  
 CHK: CHRIS WANG 04JUN2015  
 APVD: XU XIANG 04JUN2015

TE Connectivity

NAME: H32B-SGR-PG/M

PRODUCT SPEC: 108-137013  
 APPLICATION SPEC: 114-137013

SIZE: A2 CAGE CODE: - DRAWING NO: T1440322XXX000 RESTRICTED TO: -

MATERIAL: - TOLERANCES UNLESS OTHERWISE SPECIFIED: 0 PLC ±, 1 PLC ±, 2 PLC ±, 3 PLC ±, 4 PLC ±, ANGLES ±, FINISH: -

WEIGHT: -

CUSTOMER DRAWING SCALE: 1:2 SHEET 1 OF 1 REV: A1

## X-ON Electronics

Largest Supplier of Electrical and Electronic Components

*Click to view similar products for [Heavy Duty Power Connectors](#) category:*

*Click to view products by [TE Connectivity](#) manufacturer:*

Other Similar products are found below :

[1424439](#) [1424438](#) [09330062652](#) [2-8675P1](#) [605601-1](#) [6340G1](#) [6341G1](#) [6360G1](#) [6373G1](#) [6374g2](#) [6396G1](#) [647757-1](#) [66394-4](#) [6643411-1](#)  
[6646058-2](#) [6646137-1](#) [6646138-1](#) [6646348-1](#) [6646479-1](#) [6646608-1](#) [6646786-1](#) [6646940-1](#) [6651091-1](#) [6651525-1](#) [6651529-1](#) [6651778-1](#)  
[6651788-1](#) [696465-1](#) [696475-1](#) [73000005059](#) [73000005349](#) [73000005642](#) [73080255059](#) [73080965046](#) [765-15-0080A](#) [765-16-0080B](#)  
[789.700-44](#) [789.700-54](#) [80-1010](#) [80-9](#) [827381-1](#) [829992-1](#) [902-77-02113](#) [PL00U-301-10D10](#) [PM103MOOLOO](#) [PM16S1620S32-50](#)  
[PM212MOOLOO](#) [PM309FOOLOO](#) [PM324FOOLCH](#) [PMHPAF11S03](#)