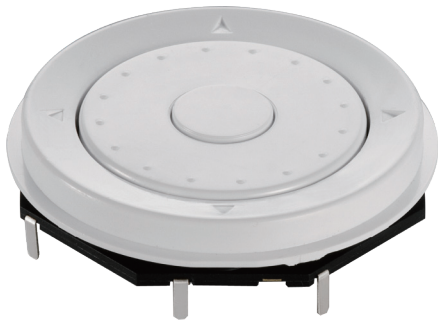


ROTARY SWITCHES



ANO SERIES

SPECIFICATIONS

Operating Force

Rotation-Max. 60 gf-cm

5 way switch-Max. 300 gf

Contact Resistance(initial)

Max. 300 mΩ

Measured by ohm meter - open voltage < 1VDC, driver current -100 mA

Insulation Resistance(at 100 VDC/ minute)

Min. 100 MΩ

Operating Temperature Range

0°C to 40°C

Electrical Service Life

Rotation-Min. 200,000 operations

(C.W. 100,000 & C.C.W. 100,000 operations)

Push-Min. 1,000,000 operations

Electrical Operating Frequency

Rotation-30 operations per minute

Push-120 operations per minute

RATING

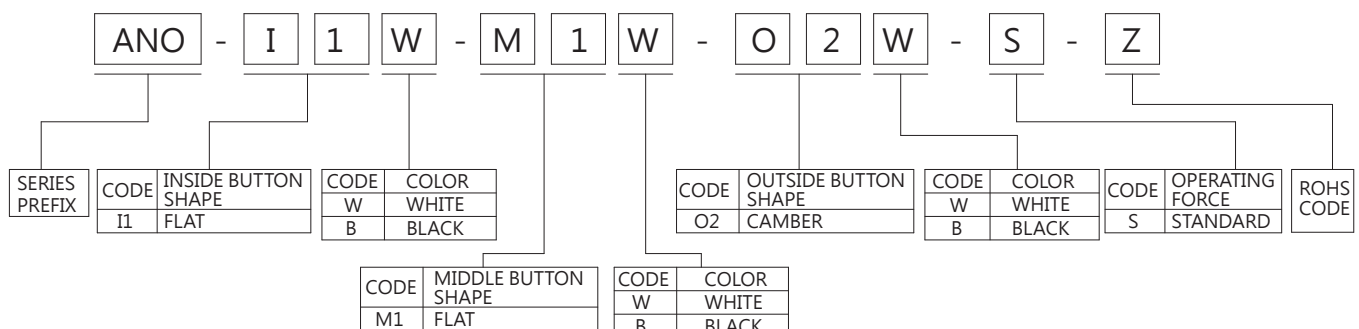
1mA 10VDC

APPLICATIONS

Remote control, Tablet, Keyboard, Audio, Mp3 player, Notebook,

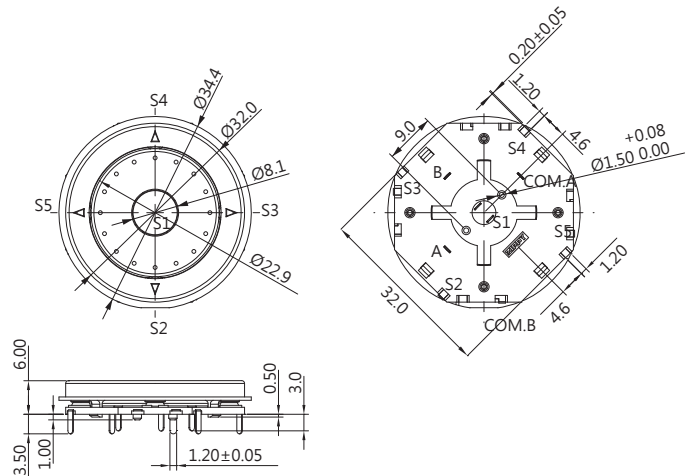
Mobile phone

ORDERING INFORMATION



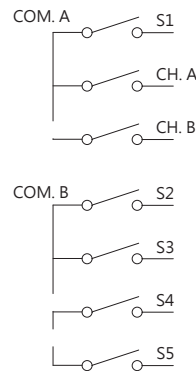
DIMENSIONS

Unless otherwise specified, a tolerance of ±0.4mm applies to all dimensions.

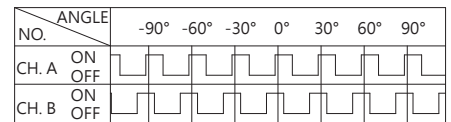


CONTACT CONFIGURATION

Functional Block Diagram



Rotational Output Waveform

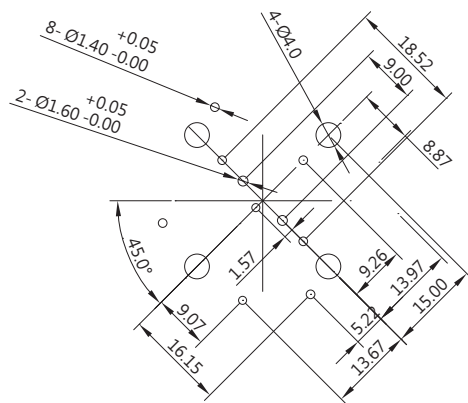


CW ← → CCW

Numbers of detent : 24

Pulse/Rotation : 12 pulse/360°

MOUNTING HOLES



X-ON Electronics

Largest Supplier of Electrical and Electronic Components

Click to view similar products for [Encoders](#) category:

Click to view products by [Zippy](#) manufacturer:

Other Similar products are found below :

[6-1393048-5](#) [62AG22-H5-P](#) [62B22-LP-030C](#) [62D22-02-P](#) [62R22-01-040S](#) [63K25](#) [63K32](#) [63KS100](#) [63KS64](#) [63R100](#) [63R50-020](#) [63RS256-060](#) [700-09-36](#) [E6C2-CWZ6C-10 500P/R 5M](#) [E6C3-CWZ5GH 1000P/R 2M](#) [25LB22-G-Z](#) [T101-5C2-111-M1](#) [T101-5C3-111-M1](#) [T101-5C4-111-M1](#) [25LB45-Q-Z](#) [HEDS-8905](#) [385001M0439](#) [385001M0216](#) [DPL12SV2424A25K3](#) [E69-1](#) [E69-DF15](#) [E69-FBA-02](#) [E69-FCA](#) [E6B2-CWZ1X 2000P/R 0.5M](#) [E6B2-CWZ3E 600P/R 0.5M](#) [E6C3-CWZ3EH 800P/R 2M](#) [ENA1D-472-L00050L](#) [61S64-2](#) [62B11-LP-100S](#) [62B11-LPP-P](#) [62C1111-02-020C](#) [62N11-P](#) [62S22-H9-120S](#) [62S30-L0-200C](#) [62V15-02-080S](#) [62V22-02-030C](#) [632911-128](#) [63K64](#) [63KS100-040](#) [63R64-050](#) [63RS256](#) [63RS64](#) [700-16-16](#) [3-1393048-1](#) [63KS128](#)