

THIS DRAWING IS UNPUBLISHED. RELEASED FOR PUBLICATION 20
 © COPYRIGHT 20 BY - ALL RIGHTS RESERVED.

REVISIONS				
P	LTR	DESCRIPTION	DATE	APVD
B		ECR-16-010100 UPDATE NAME	14JUL2016	L.Z X.X
B1		ECR-18-008476, ADD PCB LAYOUT	08JUN2018	G.W C.W

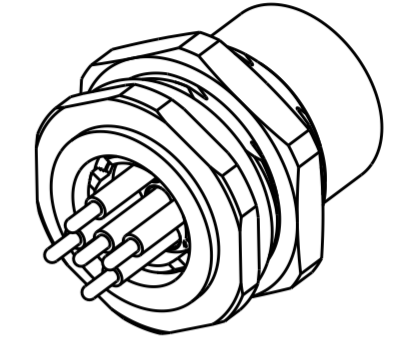
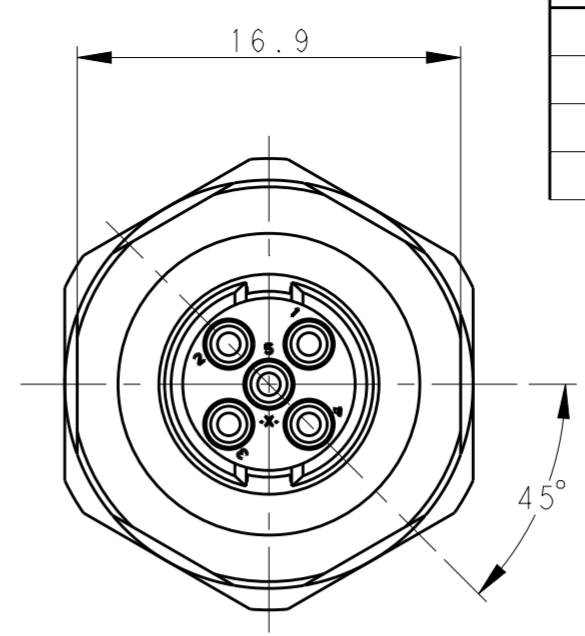
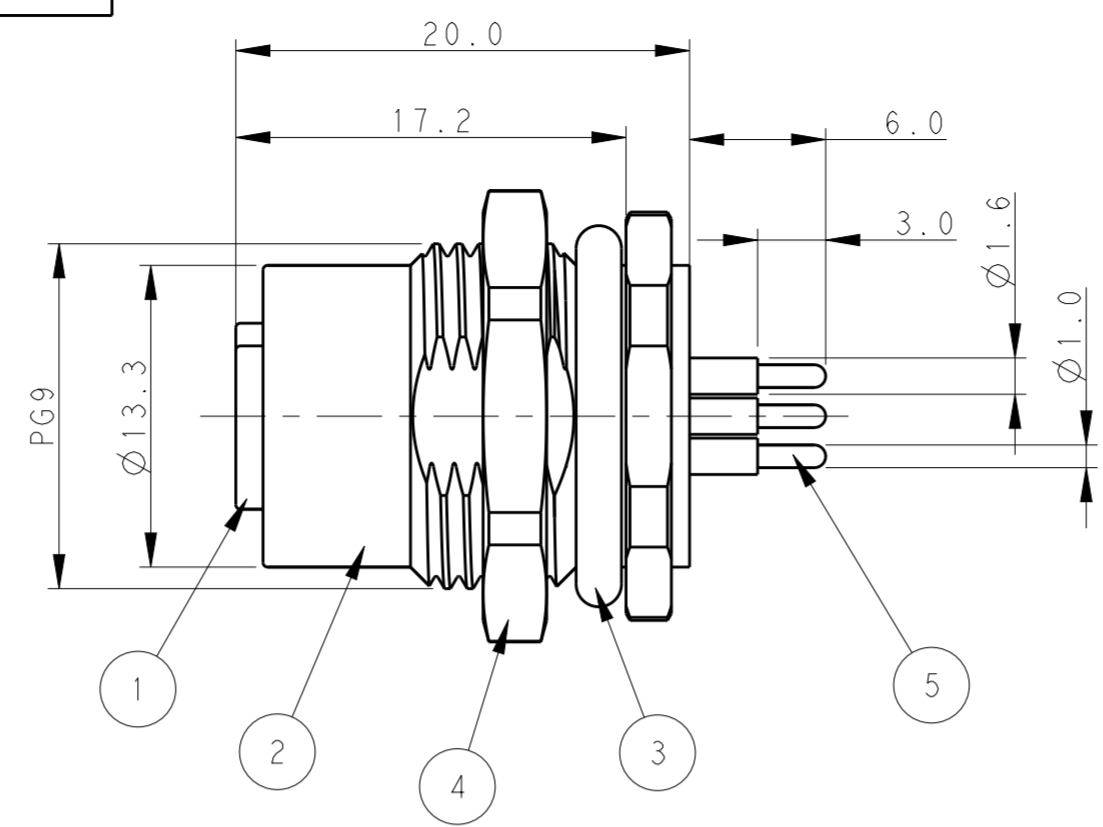
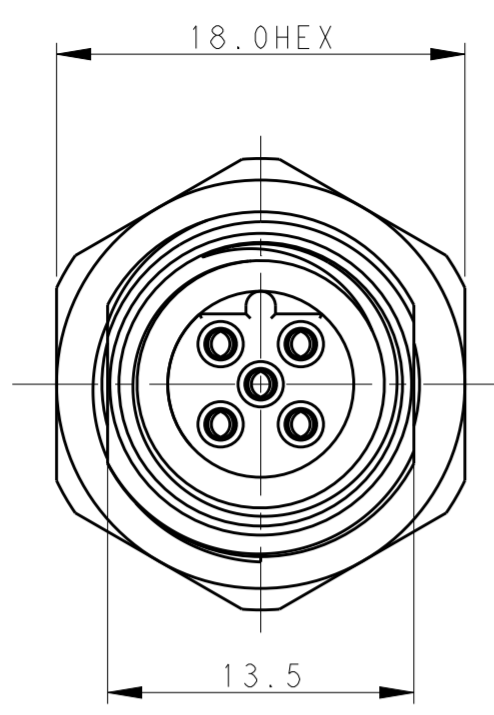
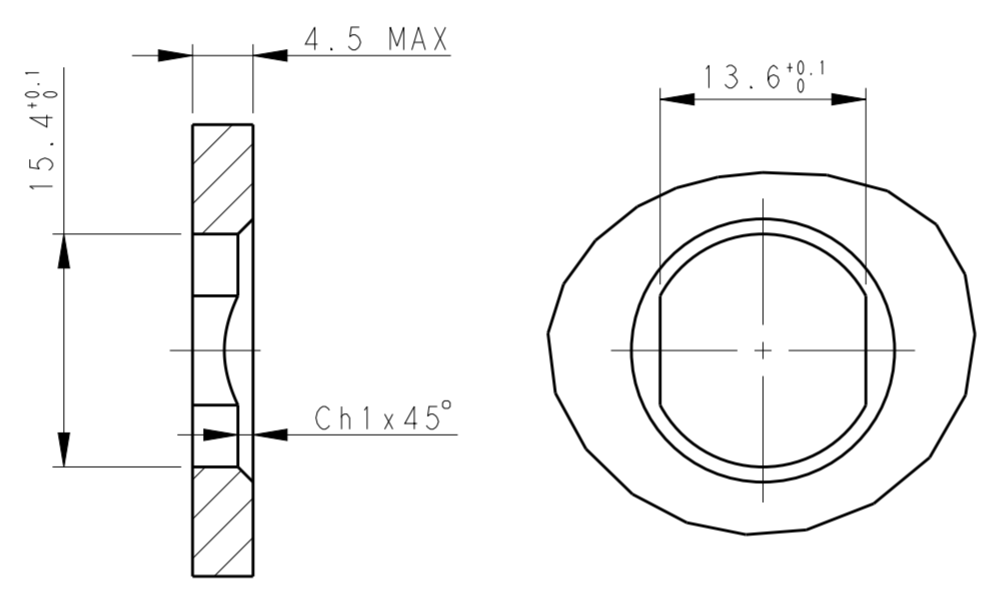


TABLE 1

TECHNICAL DATA	T4141412021-000	T4141412031-000	T4141412041-000	T4141412051-000
RATED VOLTAGE	250V	250V	250V	60V
RATED CURRENT	4A	4A	4A	4A
POLLUTION DEGREE	3	3	3	3
OVERVOLTAGE CATEGORY	II	II	II	II
MATERIAL GROUP	II	II	II	II
CONTACT RESISTANCE	<=10mΩ	<=10mΩ	<=10mΩ	<=10mΩ
INSULATION RESISTANCE	>100MΩ	>100MΩ	>100MΩ	>100MΩ
DEGREE OF PROTECTION	IP67	IP67	IP67	IP67
OPERATION TEMPERATURE	-40~85°C	-40~85°C	-40~85°C	-40~85°C



RECOMMENDED PANEL CUTOUT

NOTE:

1. TECHNICAL DATA: SEE TABLE 1
2. RECOMMENDED MOUNT PANEL SEE DETAIL
3. PRODUCT COMPLIES WITH IEC61076-2-101
4. PLASTIC INERT MATERIAL: UL LISTED WITH UL94V0 FLAME RATING
5. ALL MATERIALS TO BE ROHS COMPLIANT
6. ALL MATERIALS TO BE REACH COMPLIANT
7. PN INFORMATION FOR ASSEMBLY PARTS

注释:

- 1: 技术参数, 见表1
- 2: 推荐开孔尺寸详见如图所示
- 3: 产品符合标准 IEC61076-2-101
- 4: 塑胶材料符合UL标准, UL-94V0阻燃等级
- 5: 所有材料符合ROHS参照标准TEC-138-705
- 6: 所有材料符合REACH参照标准TEC-138-705
- 7: 成品料号信息如下:

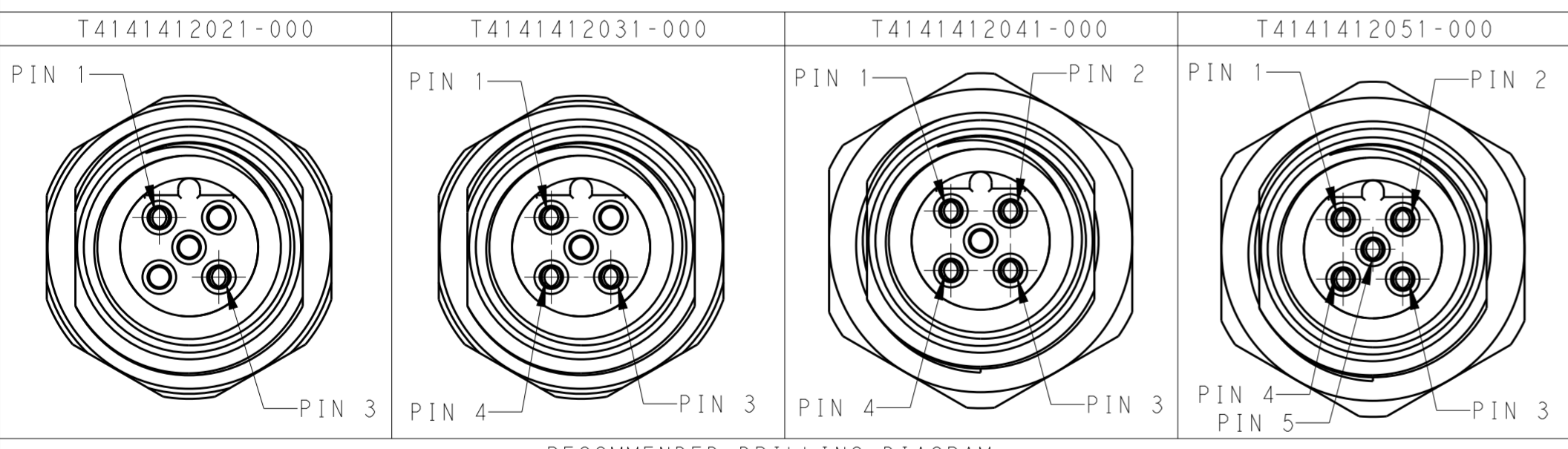
T41414120X1-000

- CONTACT FINISH: 1; GOLD 3u''
- NUMBER OF PINS: 02: 2 PINS, 03: 3 PINS, 04: 4 PINS, 05: 5 PINS

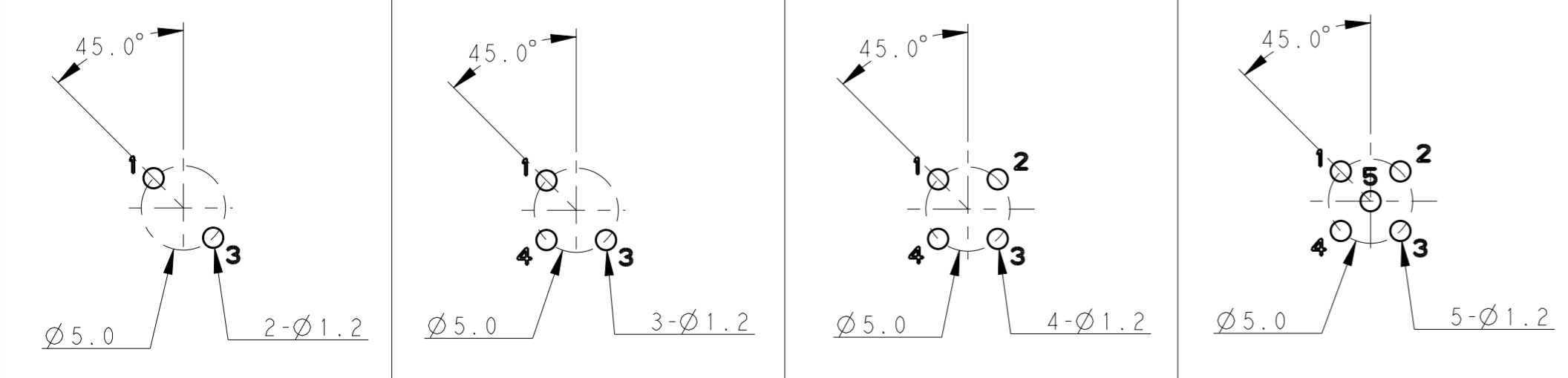
T41414120X1-000

- 端子电镀: 1: 3u''金
- 针数: 02: 2 针, 03: 3 针, 04: 4 针, 05: 5 针

PIN ARRANGEMENT B-CODE



RECOMMENDED DRILLING DIAGRAM



TE PN	TYPE
T4141412021-000	RPC-M12B-FF-2CON-PG9-LBU
T4141412031-000	RPC-M12B-FF-3CON-PG9-LBU
T4141412041-000	RPC-M12B-FF-4CON-PG9-LBU
T4141412051-000	RPC-M12B-FF-5CON-PG9-LBU

PLATING	MATERIAL	DESCRIPTION	ITEM	2	3	4	5
3u'' GOLD MIN.	COPPER ALLOY	CONTACT		5	2	3	4
200u'' NICKEL MIN.	COPPER ALLOY	METAL NUT		4	1	1	1
-	-	O-RING		3	1	1	1
200u'' NICKEL MIN.	COPPER ALLOY	M12, MALE, METAL BODY		2	1	1	1
-	PA66	M12, MALE HSG		1	1	1	1

THIS DRAWING IS A CONTROLLED DOCUMENT.

DWN: BO GAO 16FEB2016
 CHK: KOBBY ZHAO 16FEB2016
 APVD: XIANG XU 16FEB2016

TE Connectivity

M12 PANEL MOUNT CONNECTOR
 B CODE, FEMALE, REAR MOUNTING
 PCB SOLDERING

SIZE: A2 CAGE CODE: - DRAWING NO: T41414120X1000 RESTRICTED TO: -
 SCALE: 3:1 SHEET: 1 OF 1 REV: B1

X-ON Electronics

Largest Supplier of Electrical and Electronic Components

Click to view similar products for [Circular Metric Connectors](#) category:

Click to view products by [TE Connectivity](#) manufacturer:

Other Similar products are found below :

[1424048](#) [1021212](#) [600X518037X](#) [6STD09SAM99B70X](#) [6STD15PCR99B70A](#) [8R4000A16M020](#) [1200910002](#) [1201150041](#) [1203580030](#)
[1200700064](#) [1200700263](#) [1200700416](#) [1200730102](#) [1200770002](#) [1-2823588-2](#) [130203-0054](#) [1300140026](#) [1300150099](#) [1-3637-600-5205](#)
[1545399](#) [1594331](#) [1600413](#) [1612606](#) [1612618](#) [1614660](#) [1A4000-348](#) [CA06EW24-10P-B-03](#) [21036836414](#) [2823064-1](#) [1610759](#) [A1642LK-](#)
[II-T](#) [1R3006A20M005](#) [41-01016](#) [41-40011](#) [41-40017](#) [42-00006](#) [42-01015](#) [4-22279-4](#) [4-22281-1](#) [4-22284-9](#) [43-00002](#) [43-00113](#) [43-00130](#)
[43-01028](#) [43-01034](#) [43-01088](#) [43-01090](#) [43-01203](#) [43-01209](#) [43-01335](#)