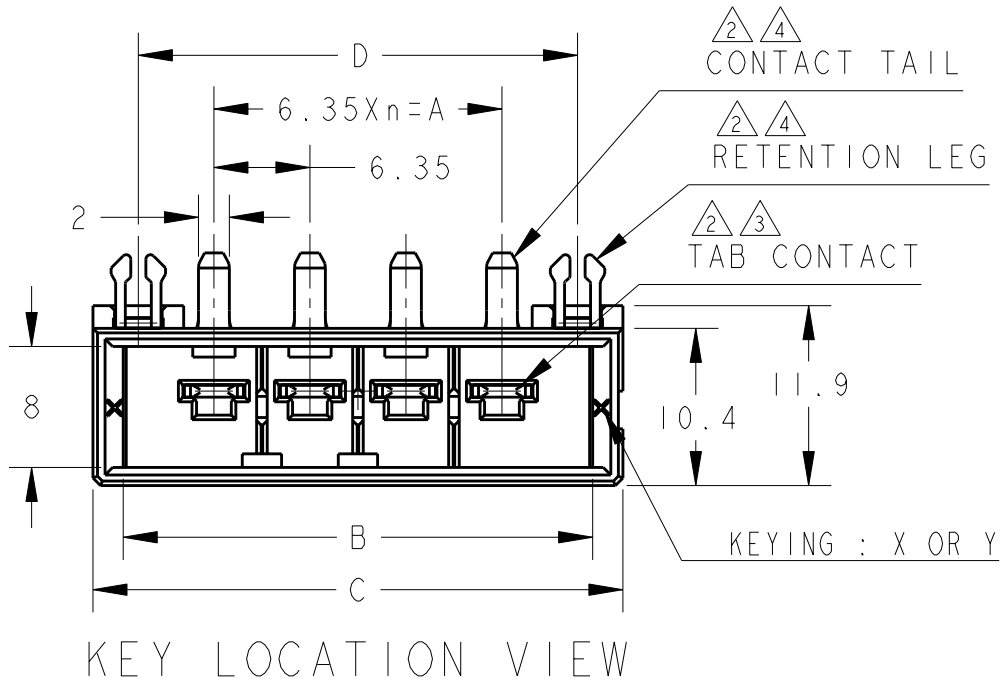
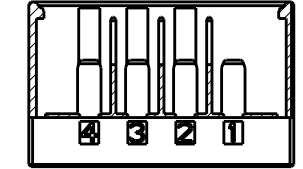


THIS DRAWING IS UNPUBLISHED. RELEASED FOR PUBLICATION 20  
 © COPYRIGHT 20 BY TYCO ELECTRONICS CORPORATION. ALL RIGHTS RESERVED.

LOC	DIST	REVISIONS					
		P	LTR	DESCRIPTION	DATE	DWN	APVD
J	-	B		REVISED PER ECR-10-013244	10JUL2010	HMR	TM

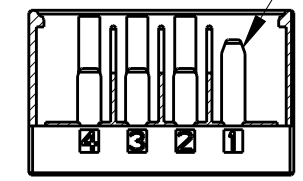


SCALE 1:1

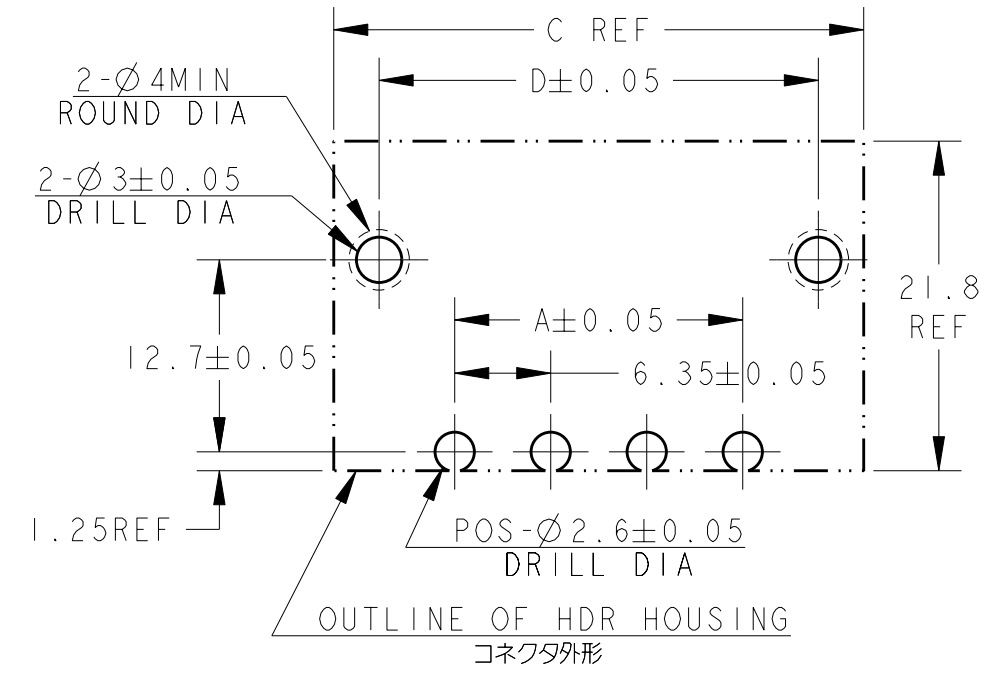


1-1903328-□  
2-1903328-□

SEQUENTIAL CONTACT : ONLY CIRCUIT NO.1



5-1903328-□  
6-1903328-□  
SEQUENTIAL ITEM



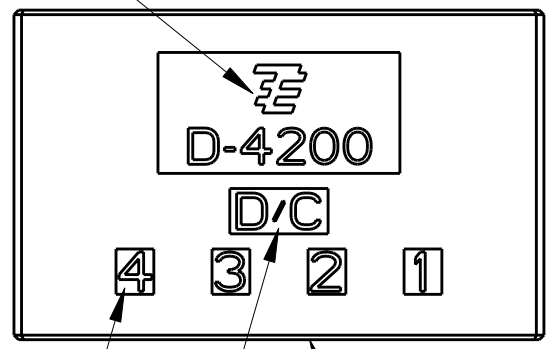
RECOMMEND PC BOARD HOLE PATTERN : CONNECTOR MOUNT SIDE (NOT ACCUMULATE TOLERANCE)  
 PC BOARD THICKNESS : 1.6~2.4±0.1

推奨基板取付寸法 : コネクタ搭載面 (非累積公差)  
 PC基板厚 : 1.6~2.4±0.1

AS SHOWN : 1-1903328-4 (4POS: X-KEY)

4	3	19.05	31.05	35.05	29.05		Y	2-1903328-4 6-1903328-4
4	3	19.05	31.05	35.05	29.05		X	1-1903328-4 5-1903328-4
3	2	12.70	24.70	28.70	22.70		Y	2-1903328-3 6-1903328-3
3	2	12.70	24.70	28.70	22.70		X	1-1903328-3 5-1903328-3
2	1	6.35	18.35	22.35	16.35		Y	2-1903328-2
2	1	6.35	18.35	22.35	16.35		X	1-1903328-2
POS	n	A	B	C	D	KEY LOCATION	KEY	PART NUMBER

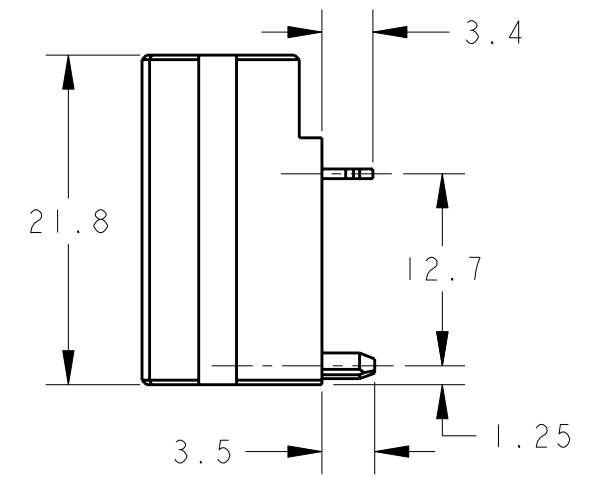
LOGO MARK  
SERIES CODE



CIRCUIT NO

DATE CODE

HDR HSG



1. MATERIAL: HOUSING: GLASS FILLED THERMO PLASTIC  
 POLYESTER (94V-0), COLOR: BLACK  
 CONTACT: COPPER ALLOY  
 RETENTION LEG: COPPER ALLOY

- ②. FINISH (ALL OVER): NICKEL PL. 1.3μmMIN
- ③. FINISH (CONTACT AREA): GOLD PL. 0.38μmMIN AFTER ②
- ④. FINISH (CONTACT TAIL & RETENTION LEG): TIN PL. 2μmMIN AFTER ②

1. 材料: ハウジング: ガラス入り熱可塑性ポリエステル樹脂 (94V-0), 色: 黒  
 コンタクト: 銅合金  
 リテンションレグ: 銅合金

- ②. めっき (全面): ニッケル下地めっき 1.3μm以上。
- ③. めっき (接触部): ②の上に金めっき 0.38μm以上。
- ④. めっき (コンタクト半田付部とリテンションレグ): ②の上に錫めっき 2μm以上。

THIS DRAWING IS A CONTROLLED DOCUMENT FOR TYCO ELECTRONICS CORPORATION  
 IT IS SUBJECT TO CHANGE AND THE CONTROLLING ENGINEERING ORGANIZATION  
 SHOULD BE CONTACTED FOR THE LATEST REVISION.

DIMENSIONS: 単位: 耗 mm	TOLERANCES UNLESS OTHERWISE SPECIFIED: 一般公差 ±0.3, ±3° 0-PLC ± 1-PLC ±0.1 2-PLC ±0.01 3-PLC ±0.001 4-PLC ±0.0001 ANGLES ±
MATERIAL 材料	FINISH 仕上

DWN M. MAEBASHI 23MAR2007	CHK T. KUDO 23MAR2007	APVD D. MITSUGI 23MAR2007
PRODUCT SPEC 108-78182		
APPLICATION SPEC 取付適用規格 114-5369		
WEIGHT -		

Tyco Electronics Tyco Electronics AMP K.K. Kawasaki, Japan		NAME 名称 DYNAMIC D4200S 6.35mm PITCH HDR ASSY (H-TYPE) 2-4POS	
SIZE A3	CAGE CODE 00779	DRAWING NO 番号 C-1903328	RESTRICTED TO -
CUSTOMER DRAWING		SCALE 尺度 2:1	SHEET OF 1 REV B

## X-ON Electronics

Largest Supplier of Electrical and Electronic Components

*Click to view similar products for [Headers & Wire Housings](#) category:*

*Click to view products by [TE Connectivity](#) manufacturer:*

Other Similar products are found below :

[95000-104TRLF](#) [10135584-644402LF](#) [DF62W-EP2022PCA](#) [95000-106TRLF](#) [DF62W-2022SCA](#) [DF62W-EP2022PC](#) [2203348](#) [DF62W-2022SC](#) [1084018](#) [1029039](#) [1084017](#) [802-10-012-10-002000](#) [1112640](#) [1112639](#) [000-34000](#) [0009482033](#) [0009507031](#) [57102-S06-03LF](#) [57202-S52-04LF](#) [PCN6-15S-2.5E](#) [0039019024](#) [58102-G61-06LF](#) [582553-1](#) [0009485154](#) [0009508121](#) [0022285053](#) [0050291907](#) [018731A](#) [LY20-4P-DT1-P1E-BR](#) [02.125.8002.8](#) [60101931](#) [60598-1 \(Cut Strip\)](#) [M1625-3R/100](#) [61062-3](#) [61082-181009](#) [636-1427](#) [638009-1](#) [641938-9](#) [641991-4](#) [644168-1](#) [647662-1](#) [65039-019ELF](#) [65781-047](#) [65817-002LF](#) [65817-015LF](#) [65863-015LF](#) [66207-023LF](#) [67016-026LF](#) [67046-001LF](#) [67095-007LF](#)