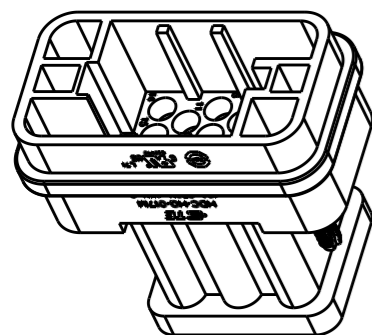
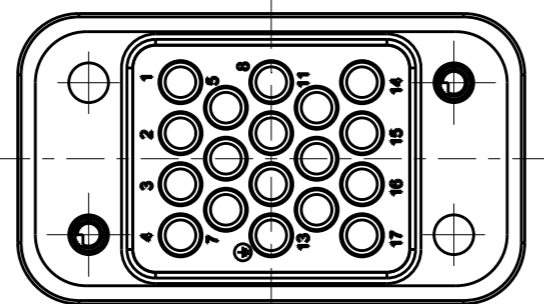


REVISIONS

P	LTR	DESCRIPTION	DATE	DWN	APVD
	A	INITIAL	13OCT2016	CH	CW
	AI	ECR-18-004585	26MAR2018	DW	CW

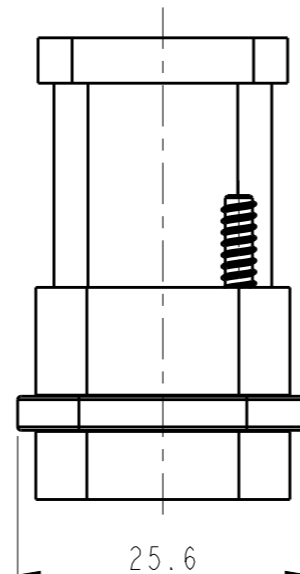
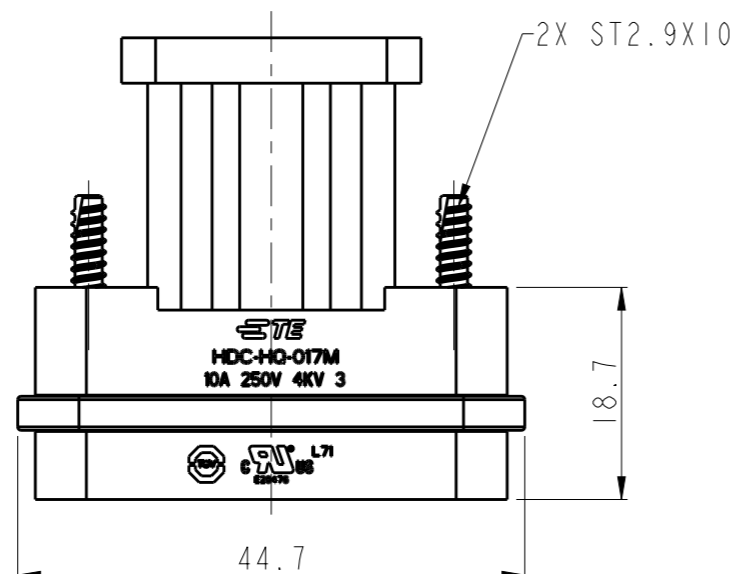
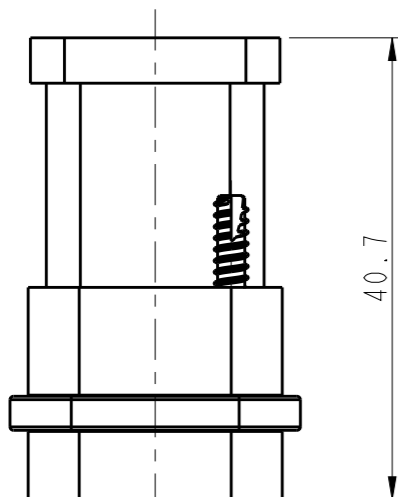


SCALE 1:1



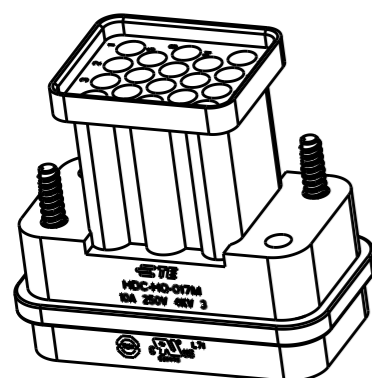
NOTES:

- TECHNICAL CHARACTERISTICS:
 INSULATION MATERIAL: PC (GRAY)
 RATED VOLTAGE: 250V
 RATED CURRENT: 10A
 INSULATION RESISTANCE: $\geq 400M\Omega$
 RATED IMPULSE VOLTAGE: 4KV
 POLLUTION DEGREE: 3
 FLAMMABILITY: UL94V-0
 MATING CYCLES: 500 CYCLES
 WIRE RANGE: $0.14mm^2 \sim 2.5mm^2$ (AWG26-AWG14)
 CONTACT TYPE: CRIMP CONTACT
- CONTACT NEED TO BE ORDERED SEPARATELY.
 (ORDER NO. REFER TO DRAWING: T20200X10XX000.)

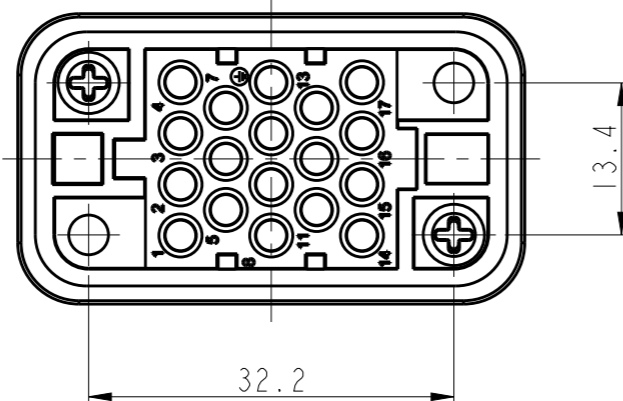


注释:

- 技术参数:
 绝缘材料: PC (GRAY)
 额定电压: 250V
 额定电流: 10A
 绝缘电阻: $\geq 400M\Omega$
 脉冲电压: 4KV
 污染等级: 3
 阻燃等级: UL94V-0
 插拔次数: 500次
 接线范围: $0.14mm^2 \sim 2.5mm^2$ (AWG26-AWG14)
 接线类型: 冷压接
- 端子需要单独订购.
 (订购单号参考图面: T20200X10XX000.)



SCALE 1:1



T2080172101-000	HQ-017-M	HQ-017 MALE INSERT HQ-017公插
PART NUMBER 料号	PART DESCRIPTION 描述	

THIS DRAWING IS A CONTROLLED DOCUMENT.	
DIMENSIONS: mm	TOLERANCES UNLESS OTHERWISE SPECIFIED: 0 PLC \pm - 1 PLC \pm - 2 PLC \pm - 3 PLC \pm - 4 PLC \pm - ANGLES - \pm
MATERIAL -	FINISH -

DWN CHARLIE.HU 13OCT2016	TE Connectivity NAME HQ-017-M
CHK KYLE.ZENG 13OCT2016	
APVD CHRIS.WANG 13OCT2016	
PRODUCT SPEC 108-137116	
APPLICATION SPEC 114-137116	SIZE A3
WEIGHT -	CAGE CODE -
CUSTOMER DRAWING	DRAWING NO. T2080172101000
SCALE 3:2	RESTRICTED TO -
SHEET 1	REV AI

X-ON Electronics

Largest Supplier of Electrical and Electronic Components

Click to view similar products for [Heavy Duty Power Connectors](#) category:

Click to view products by [TE Connectivity](#) manufacturer:

Other Similar products are found below :

[1424439](#) [1424438](#) [09330062652](#) [2-8675P1](#) [605601-1](#) [6340G1](#) [6341G1](#) [6360G1](#) [6373G1](#) [6374g2](#) [6396G1](#) [647757-1](#) [66394-4](#) [6643411-1](#)
[6646058-2](#) [6646137-1](#) [6646138-1](#) [6646348-1](#) [6646479-1](#) [6646608-1](#) [6646786-1](#) [6646940-1](#) [6651091-1](#) [6651525-1](#) [6651529-1](#) [6651778-1](#)
[6651788-1](#) [696465-1](#) [696475-1](#) [73000005059](#) [73000005349](#) [73000005642](#) [73080255059](#) [73080965046](#) [765-15-0080A](#) [765-16-0080B](#)
[789.700-44](#) [789.700-54](#) [80-1010](#) [80-9](#) [827381-1](#) [829992-1](#) [902-77-02113](#) [PL00U-301-10D10](#) [PM103MOOLOO](#) [PM16S1620S32-50](#)
[PM212MOOLOO](#) [PM309FOOLOO](#) [PM324FOOLCH](#) [PMHPAF11S03](#)