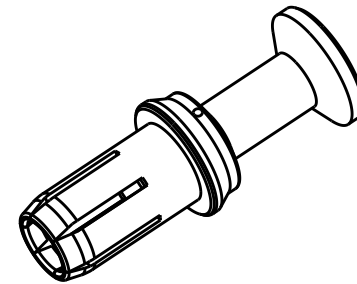
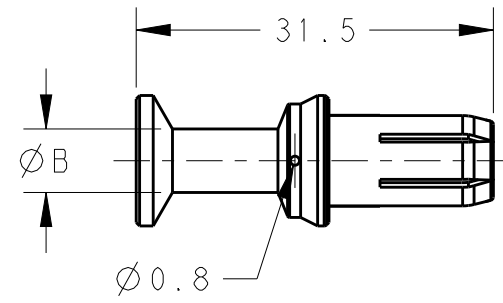


THIS DRAWING IS UNPUBLISHED. RELEASED FOR PUBLICATION 20

© COPYRIGHT 20 BY - ALL RIGHTS RESERVED.

REVISIONS

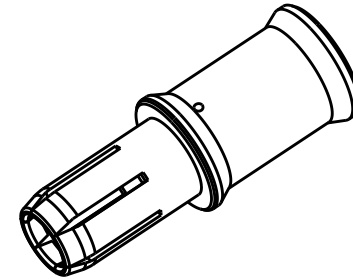
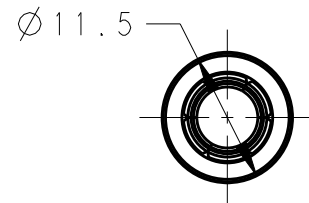
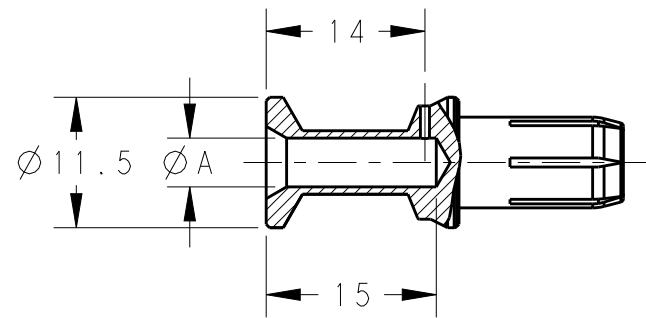
| P | LTR | DESCRIPTION | DATE | DWN | APVD |
|---|-----|---------------|-----------|-----|------|
| | A | INITIAL | 15MAY2015 | DW | CW |
| | A1 | ECR-16-015170 | 11JAN2017 | YC | CW |
| | | | | | |



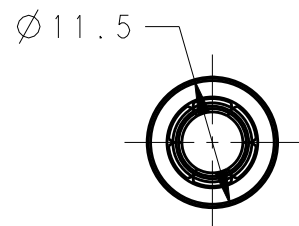
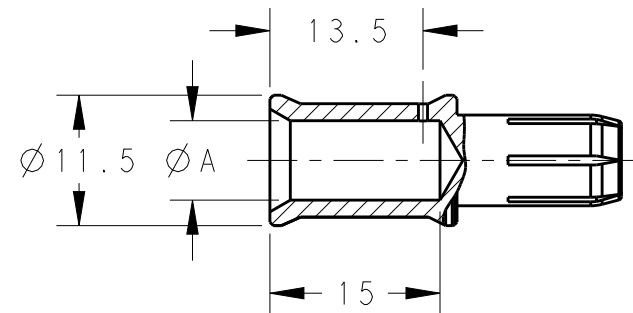
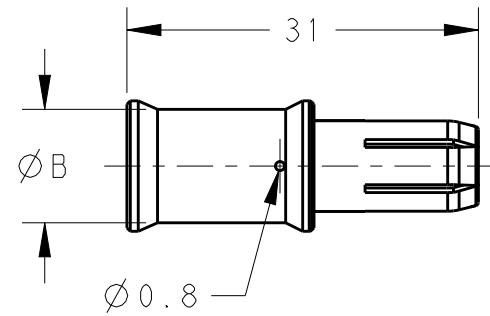
TYPE 1:
 CSF-10 T2400002100-000
 CSF-16 T2400002160-000
 类型 1:
 CSF-10 T2400002100-000
 CSF-16 T2400002160-000

NOTES:
 1. TECHNICAL CHARACTERISTICS:
 CONTACT MATERIAL: BRASS
 SURFACE PLATING:
 SILVER PLATING: $\geq 2\mu\text{m}$
 CONTACT RESISTANCE: $\leq 1.5\text{m}\Omega$
 WIRE RANGE: 10-25mm²


注释:
 1. 技术参数:
 公针材料: 黄铜
 表面电镀:
 镀银: $\geq 2\mu\text{m}$
 接触电阻: $\leq 1.5\text{m}\Omega$
 接线范围: 10-25mm²



TYPE 2:
 CSF-25 T2400002250-000
 类型 2:
 CSF-25 T2400002250-000



| T2400002100-000 | CSF-10 | CSF-10,SILVER PLATING / SS母针 10mm ² , 镀银 | 4.3 | 5.6 | 10 | 15 | TYPE 1 |
|-------------------|------------------------|---|-----|------|------------------------------------|------------------------------|------------|
| T2400002160-000 | CSF-16 | CSF-16,SILVER PLATING / SS母针 16mm ² , 镀银 | 5.5 | 8.5 | 16 | | TYPE 2 |
| T2400002250-000 | CSF-25 | CSF-25,SILVER PLATING / SS母针 25mm ² , 镀银 | 7.0 | 10.0 | 25 | | |
| PART NUMBER 料号 | PART DESCRIPTION 描述 | | ØA | ØB | WIRE GAUGE 线规(mm ²) | STRIPPING LENGTH(mm) 剥线长度 | TYPE 类型 |

| | | | | |
|---|--|--------------------------------|---|------------------------------|
| THIS DRAWING IS A CONTROLLED DOCUMENT. | | DWN 15MAY2015 DAVID WANG |  TE Connectivity | |
| DIMENSIONS: mm | | CHK 15MAY2015 CHRIS WANG | | |
| TOLERANCES UNLESS OTHERWISE SPECIFIED: | | APVD 15MAY2015 XIANG XU | NAME CSF SS SOCKET CONTACT | |
| 0 PLC ±- 1 PLC ±- 2 PLC ±- 3 PLC ±- 4 PLC ±- ANGLES ±- | | PRODUCT SPEC 108-137059 | SIZE A3 | |
| MATERIAL - | | APPLICATION SPEC 114-137059 | CAGE CODE 00779 | DRAWING NO T2400002XX0000 |
| FINISH - | | WEIGHT - | RESTRICTED TO - | |
| | | CUSTOMER DRAWING | SCALE 3:2 | SHEET 1 OF 1 REV A1 |

X-ON Electronics

Largest Supplier of Electrical and Electronic Components

Click to view similar products for [Heavy Duty Power Connectors](#) category:

Click to view products by [TE Connectivity](#) manufacturer:

Other Similar products are found below :

[1424439](#) [1424438](#) [09330062652](#) [2-8675P1](#) [605601-1](#) [6340G1](#) [6341G1](#) [6360G1](#) [6373G1](#) [6374g2](#) [6396G1](#) [647757-1](#) [66394-4](#) [6643411-1](#)
[6646058-2](#) [6646137-1](#) [6646138-1](#) [6646348-1](#) [6646479-1](#) [6646608-1](#) [6646786-1](#) [6646940-1](#) [6651091-1](#) [6651525-1](#) [6651529-1](#) [6651778-1](#)
[6651788-1](#) [696465-1](#) [696475-1](#) [73000005059](#) [73000005349](#) [73000005642](#) [73080255059](#) [73080965046](#) [765-15-0080A](#) [765-16-0080B](#)
[789.700-44](#) [789.700-54](#) [80-1010](#) [80-9](#) [827381-1](#) [829992-1](#) [902-77-02113](#) [PL00U-301-10D10](#) [PM103MOOLOO](#) [PM16S1620S32-50](#)
[PM212MOOLOO](#) [PM309FOOLOO](#) [PM324FOOLCH](#) [PMHPAF11S03](#)