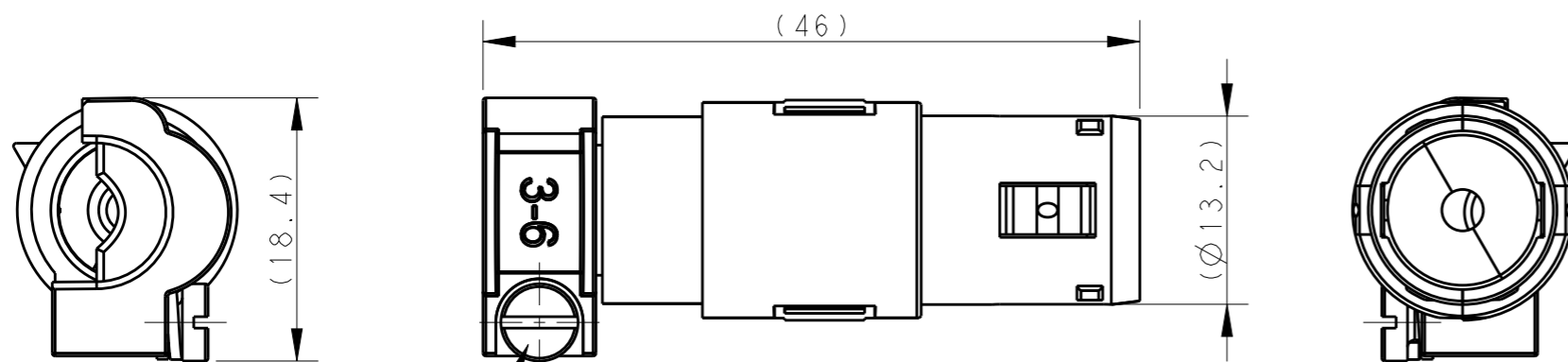


REVISIONS

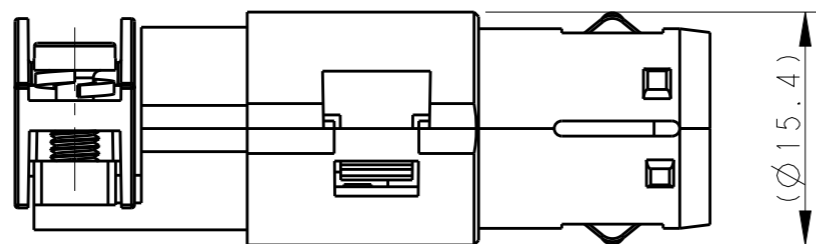
P	LTR	DESCRIPTION	DATE	DWN	APVD
	A	INITIAL RELEASE	26AUG2016	DW	CW
	A1	ECR-17-009384	25DEC2017	RL	CW

ASSEMBLY STATE OF THE PRODUCT, FOR REFERENCE
产品装配状态, 供参考



M3 SCREW, RECOMMENDED
TIGHTENING TORQUE 0.5 Nm
M3螺丝, 推荐锁紧力矩 0.5 Nm

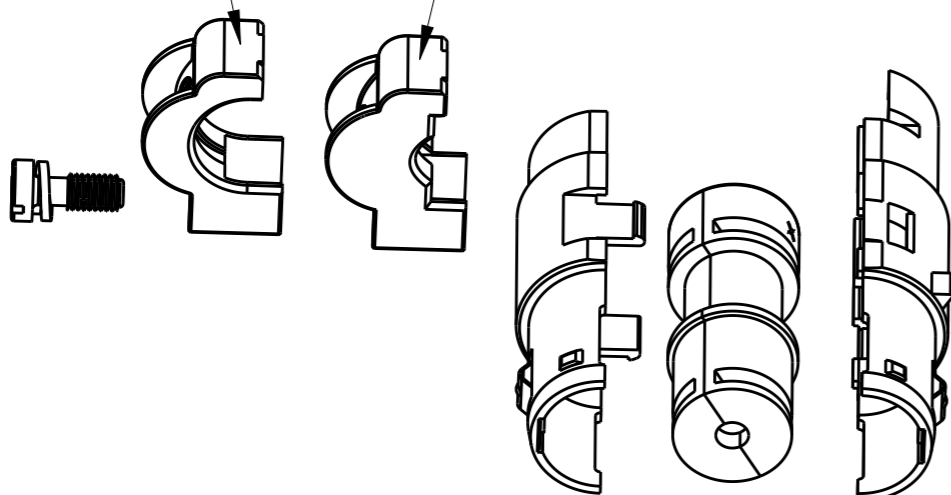
- NOTES:
- TECHNICAL CHARACTERISTICS:
INSULATION MATERIAL: PC
RATED VOLTAGE: 50V
RATED CURRENT: 16A
RATED IMPULSE VOLTAGE: 0.8KV
POLLUTION DEGREE: 3
FLAMMABILITY: UL94V-0
WIRE RANGE: 0.14-4.0 mm² (26-12 AWG)
CONTACT TYPE: CRIMP CONTACT
 - CONTACT NEED TO BE ORDERED SEPARATELY.
(ORDER No. REFER TO DRAWING: T20300X20XX000)



- 注释:
- 技术参数:
绝缘材料: PC
额定电压: 50V
额定电流: 16A
额定脉冲电压: 0.8KV
污染等级: 3
阻燃等级: UL94V-0
接线范围: 0.14-4.0 mm² (26-12 AWG)
接线类型: 冷压接
 - 端子需要单独订购.
(订货号参考图面: T20300X20XX000)

FOR Ø6-9.5mm CABLE
用于直径Ø6-9.5mm 电缆线

FOR Ø3-6mm CABLE
用于直径Ø3-6mm 电缆线



T2580012154-000	PIN-Q1-F	QUINTAX FEMALE CONTACT 1-POS QUINTAX 1-POS母针
PART NUMBER 料号	PART DESCRIPTION 描述	

THIS DRAWING IS A CONTROLLED DOCUMENT.		DWN 26AUG2016 DAVID WANG	TE Connectivity	
DIMENSIONS: mm		CHK 26AUG2016 CHRIS WANG		
TOLERANCES UNLESS OTHERWISE SPECIFIED:		APVD 26AUG2016 XIANG XU	NAME QUINTAX FEMALE CONTACT 1-POS PIN-Q1-F	
0 PLC ±-		PRODUCT SPEC 108-137067	SIZE A3	
1 PLC ±-		APPLICATION SPEC 114-137067	CAGE CODE 00779	DRAWING NO T2580012154000
2 PLC ±-		WEIGHT -	RESTRICTED TO -	
3 PLC ±-		SCALE 2:1		
4 PLC ±-		SHEET 1 OF 1		
ANGLES ±-		REV A1		
FINISH -		Customer Drawing		

X-ON Electronics

Largest Supplier of Electrical and Electronic Components

Click to view similar products for [Heavy Duty Power Connectors](#) category:

Click to view products by [TE Connectivity](#) manufacturer:

Other Similar products are found below :

[1424439](#) [1424438](#) [09330062652](#) [2-8675P1](#) [605601-1](#) [6340G1](#) [6341G1](#) [6360G1](#) [6373G1](#) [6374g2](#) [6396G1](#) [647757-1](#) [66394-4](#) [6643411-1](#)
[6646058-2](#) [6646137-1](#) [6646138-1](#) [6646348-1](#) [6646479-1](#) [6646608-1](#) [6646786-1](#) [6646940-1](#) [6651091-1](#) [6651525-1](#) [6651529-1](#) [6651778-1](#)
[6651788-1](#) [696465-1](#) [696475-1](#) [73000005059](#) [73000005349](#) [73000005642](#) [73080255059](#) [73080965046](#) [765-15-0080A](#) [765-16-0080B](#)
[789.700-44](#) [789.700-54](#) [80-1010](#) [80-9](#) [827381-1](#) [829992-1](#) [902-77-02113](#) [PL00U-301-10D10](#) [PM103MOOLOO](#) [PM16S1620S32-50](#)
[PM212MOOLOO](#) [PM309FOOLOO](#) [PM324FOOLCH](#) [PMHPAF11S03](#)