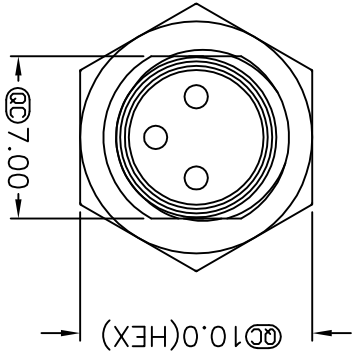
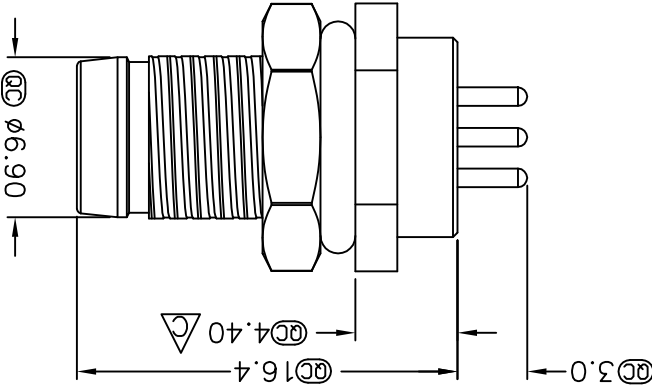
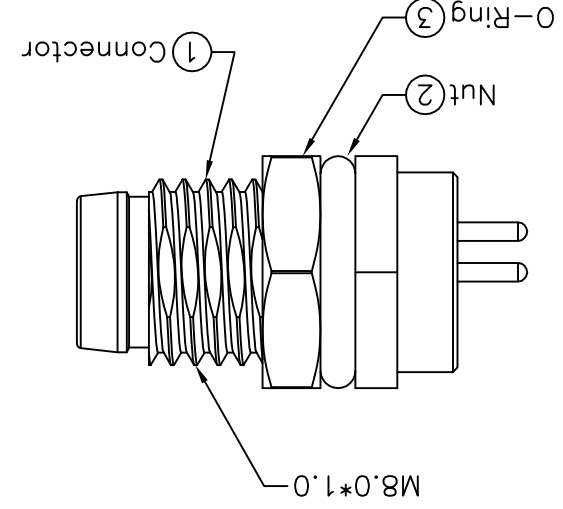
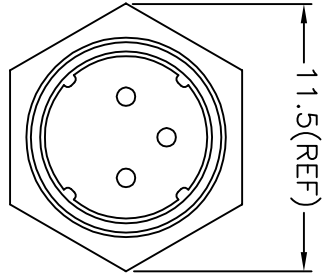
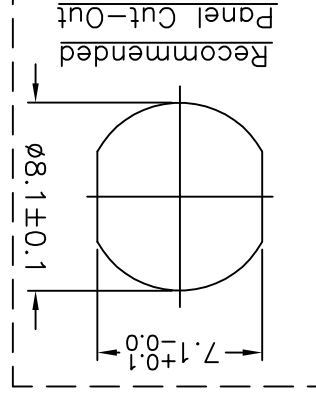
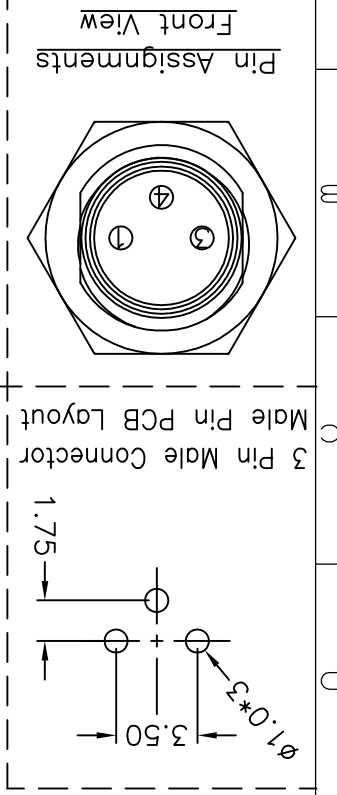


THIS DOCUMENT IS SUBJECT TO CHANGE WITHOUT NOTICE. IT IS CONFIDENTIAL AND A PROPERTY OF Amphenol LTW. DISCLOSURE TO THIRD PARTY HAS TO BE AUTHORIZED BY Amphenol LTW.

REV	ECN NO.	DATE	SIGN	DESCRIPTION
B	LEN-7A0180	2007/09/29	Myrdal	Added Note
C	LEN-910179	2009/01/07	Ivan Lin	Change rev. to ECN note

1	UNIT:mm	TOLERANCE X XX XXX ±0.1 ±0.05 ±1
2	TITLE M8 Conn Panel Screw 3P M Conn M Pin	SCALE Free
3	REV: C SIZE A4	@C: Inspection Item

4	ITEM NO 8-03PMP-SF7002	DWG NO 8-03PMP-SF7002	CUSTOMER 安普諾亮泰企業股份有限公司
5	DATE 2009/01/07	CHECKED BY Tommy Hom	APPROVED BY Luke Chang
6	DATE 2009/01/07	DRAWN BY Ivan Lin	DATE 2009/01/07



- Note: @ Important Dimension.
- * Waterproof Rate: IP67
 - * Housing: Black, Nylon+GF
 - * Male Pin: Copper Alloy, Gold Plated
 - * Shield: Zinc Alloy, Nickel Plated
 - * Nut: Copper Alloy, Nickel Plated
 - * O-Ring: Black, EPDM
 - * For Panel Thickness Max 3.0mm
 - * Nut Torque: 4-6 kgf.cm

X-ON Electronics

Largest Supplier of Electrical and Electronic Components

Click to view similar products for [Circular Metric Connectors](#) category:

Click to view products by [Amphenol](#) manufacturer:

Other Similar products are found below :

[1424048](#) [1021212](#) [600X518037X](#) [6STD09SAM99B70X](#) [6STD15PCR99B70A](#) [8R4000A16M020](#) [1200910002](#) [1201150041](#) [1203580030](#)
[1200700064](#) [1200700263](#) [1200700416](#) [1200730102](#) [1200770002](#) [1-2823588-2](#) [130203-0054](#) [1300140026](#) [1300150099](#) [1-3637-600-5205](#)
[1545399](#) [1594331](#) [1600413](#) [1612606](#) [1612618](#) [1614660](#) [1A4000-348](#) [CA06EW24-10P-B-03](#) [21036836414](#) [2823064-1](#) [1610759](#) [A1642LK-](#)
[II-T](#) [1R3006A20M005](#) [41-01016](#) [41-40011](#) [41-40017](#) [42-00006](#) [42-01015](#) [4-22279-4](#) [4-22281-1](#) [4-22284-9](#) [43-00002](#) [43-00113](#) [43-00130](#)
[43-01028](#) [43-01034](#) [43-01088](#) [43-01090](#) [43-01203](#) [43-01209](#) [43-01335](#)