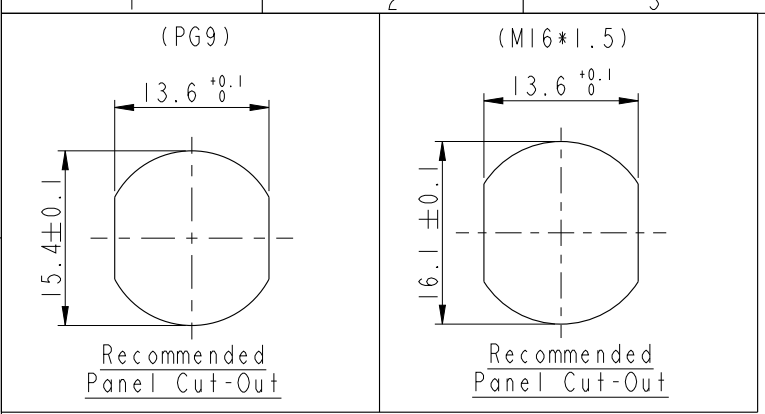
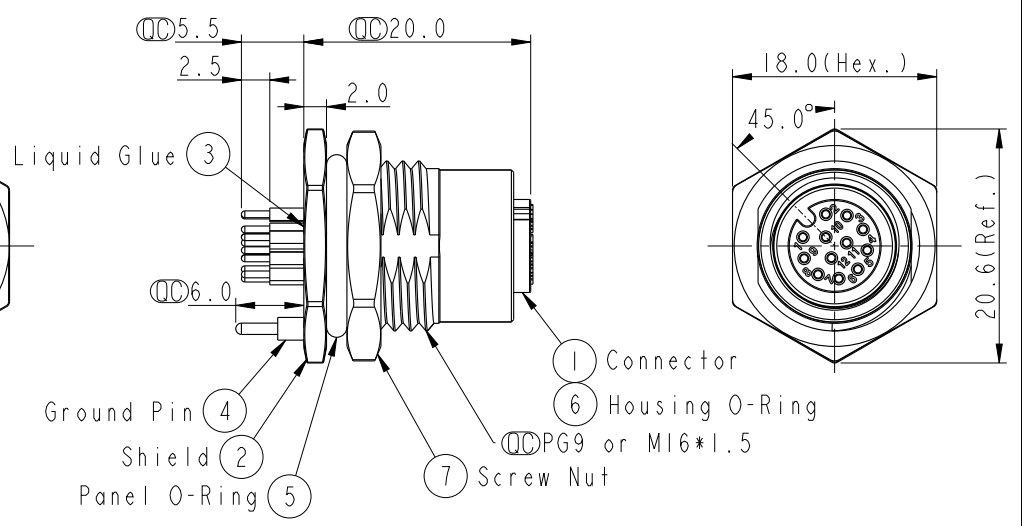
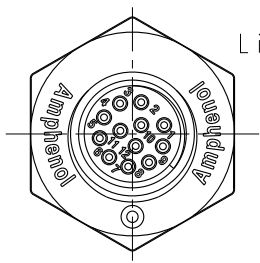


THIS DOCUMENT IS SUBJECT TO CHANGE WITHOUT NOTICE. IT IS CONFIDENTIAL AND A PROPERTY OF Amphenol LTW. DISCLOSURE TO THIRD PARTY HAS TO BE AUTHORIZED BY Amphenol LTW.

REV.	ECN NO.	DATE	SIGN	DESCRIPTION
B	LENI570234~239 LE3I570210~215	2015/07/20	Yulong_wang	Change to Share Drawing.
C	LENI680402~413	2016/08/09	Yulong_wang	Add 6Pin & IP69K.

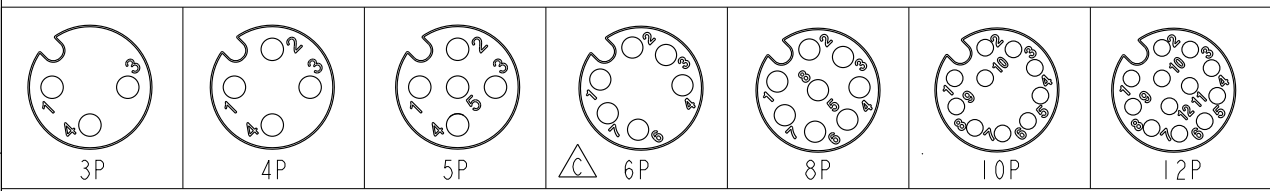


△



ALTW
CONFIDENTIAL
2016-08-09
R&D DEPT.

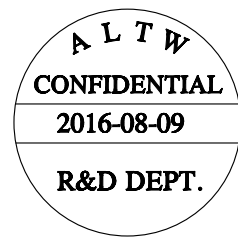
- Note:
- * ∅ Important Dimension.
 - * △ Waterproof Rate: IP68, IP69K.
 - * Housing: Nylon+GF, Black.
 - * Female Pin: Copper Alloy, Gold Plated.
 - * Shield: Zinc Alloy, Nickel Plated.
 - * Ground Pin: Copper Alloy, Gold Plated.
 - * Screw Nut: Zinc Alloy, Nickel Plated.
 - * Panel O-Ring: Viton, Black.
 - * Housing O-Ring: Viton, Green.
 - * Rated Voltage: 3 & 4Pin 250V dc. or ac.
5Pin 60V dc. or ac.
6~12Pin 30V dc. or ac.
 - * Rated Current: 3~5Pin 4A
6~8Pin 2A
10~12Pin 1.5A
 - * Operating Temperature: -40~105°C
 - * For Panel Thickness Max 4.5mm.
 - * Recommended Nut Torque: 4-6 Kgf.cm.



Pin Assignment Front View

UNIT: mm		TITLE MI2 A-Code Female Conn. PCB Type Shielded			<h1 style="margin: 0;">Amphenol LTW</h1> <p style="margin: 0;">安費諾亮泰企業股份有限公司</p>		ITEM NO	DRAWN BY	DATE
		SCALE 2:1	SIZE A4	SHEET 1 OF 2			DWG NO MSAS-XXPFFP-SF8XXX	CHECKED BY Jinhai	DATE 2016-08-09
TOLERANCE .X ±0.25 .XX ±0.1 .XXX ±0.05 ANGLES ±1°		REV. C	WC-REV. A.5	∅ Inspection item		CUSTOMER ALTW	APPROVED BY Jerry	DATE 2016-08-09	

THIS DOCUMENT IS SUBJECT TO CHANGE WITHOUT NOTICE. IT IS CONFIDENTIAL AND A PROPERTY OF Amphenol LTW. DISCLOSURE TO THIRD PARTY HAS TO BE AUTHORIZED BY Amphenol LTW.



M SAS - XX P F F P - S F 8 XXX

SAS:A-Code Shielded

03: 3Pin
 04: 4Pin
 05: 5Pin
 06: 6Pin $\triangle C$
 08: 8Pin
 10: 10Pin
 12: 12Pin

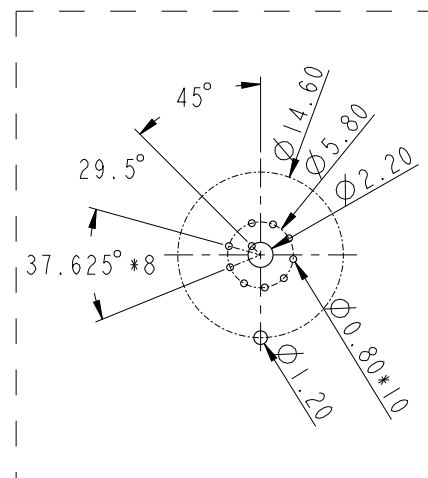
P: Panel (板端)
 F: Female Connector (母座)

001: PG9
 002: M16*1.5

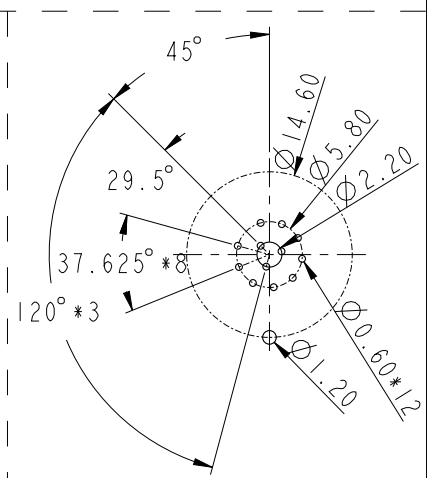
8: IP68/69K (防水等級68/69K) $\triangle C$

F: Front Fasten (前鎖式/Enclosure Rear Mount)
 S: Screw (螺紋式)

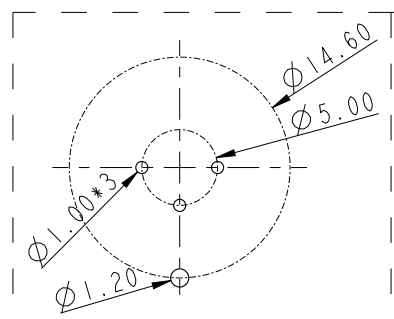
P: PCB THT/DIP Type (180° 基板插件式)
 F: Female Pin (母Pin)



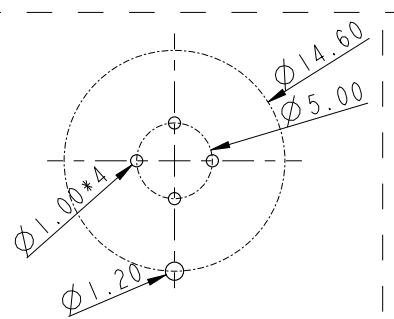
PCB Layout (10P)



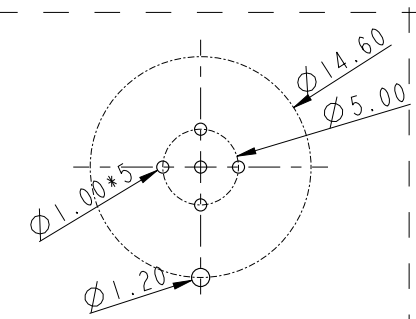
PCB Layout (12P)



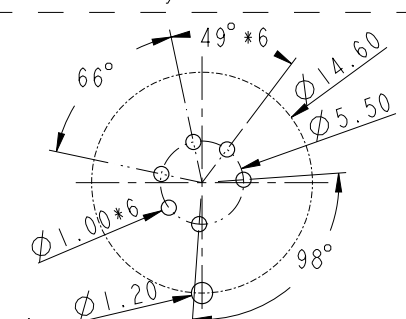
PCB Layout (3P)



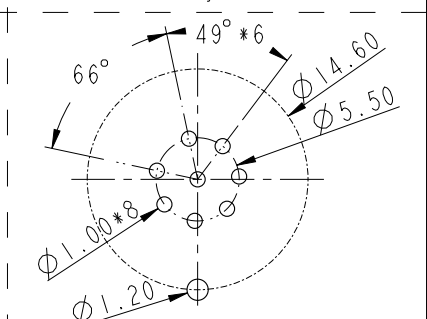
PCB Layout (4P)



PCB Layout (5P)



PCB Layout (6P)



PCB Layout (8P)

UNIT: mm		
TOLERANCE	.X ±0.25	
	.XX ±0.1	
	.XXX ±0.05	
ANGLES	±1°	

TITLE M12 A-Code Female Conn. PCB Type Shielded		
SCALE 2:1	SIZE A4	SHEET 2 OF 2
REV. C	WC-REV. A.4	$\triangle C$: Inspection item

Amphenol LTW
 安費諾亮泰企業股份有限公司

ITEM NO	DRAWN BY Yulong_wang	DATE 2016-08-09
DWG NO MSAS-XXPFFP-SF8XXX	CHECKED BY Jinhai	DATE 2016-08-09
CUSTOMER ALTW	APPROVED BY Jerry	DATE 2016-08-09

DATE 2016-08-09
DATE 2016-08-09
DATE 2016-08-09

X-ON Electronics

Largest Supplier of Electrical and Electronic Components

Click to view similar products for [Circular Metric Connectors](#) category:

Click to view products by [Amphenol](#) manufacturer:

Other Similar products are found below :

[1424048](#) [1021212](#) [600X518037X](#) [6STD09SAM99B70X](#) [6STD15PCR99B70A](#) [8R4000A16M020](#) [1200910002](#) [1201150041](#) [1203580030](#)
[1200700064](#) [1200700263](#) [1200700416](#) [1200730102](#) [1200770002](#) [1-2823588-2](#) [130203-0054](#) [1300140026](#) [1300150099](#) [1-3637-600-5205](#)
[1545399](#) [1594331](#) [1600413](#) [1612606](#) [1612618](#) [1614660](#) [1A4000-348](#) [CA06EW24-10P-B-03](#) [21036836414](#) [2823064-1](#) [1610759](#) [A1642LK-](#)
[II-T](#) [1R3006A20M005](#) [41-01016](#) [41-40011](#) [41-40017](#) [42-00006](#) [42-01015](#) [4-22279-4](#) [4-22281-1](#) [4-22284-9](#) [43-00002](#) [43-00113](#) [43-00130](#)
[43-01028](#) [43-01034](#) [43-01088](#) [43-01090](#) [43-01203](#) [43-01209](#) [43-01335](#)