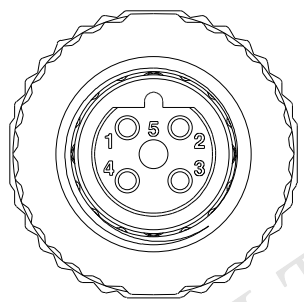
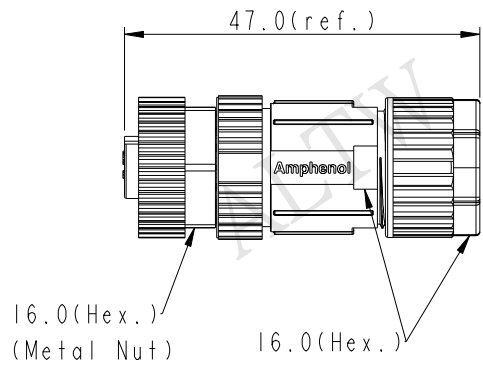
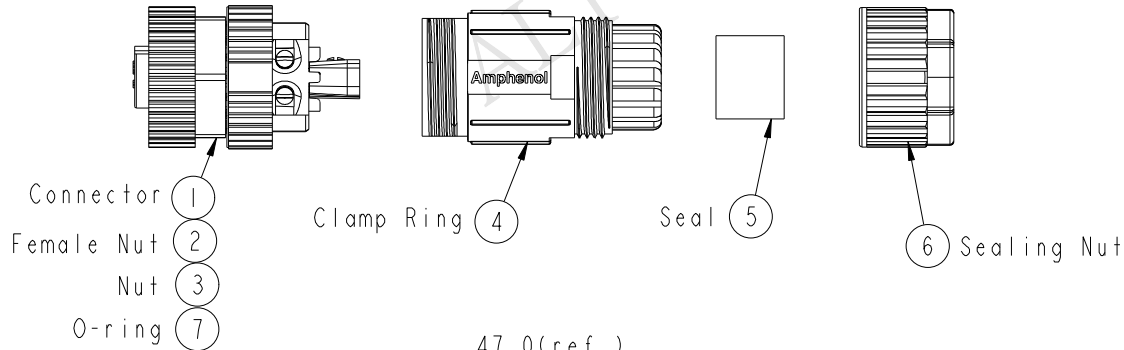
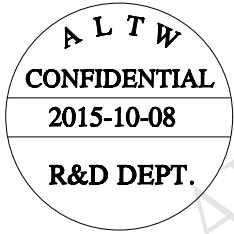


REV.	ECN NO.	DATE	SIGN	DESCRIPTION
A	Initial Release	2015/10/08	Mila	Change Rev.01 To Rev.A



Pin Assignments  
Front View

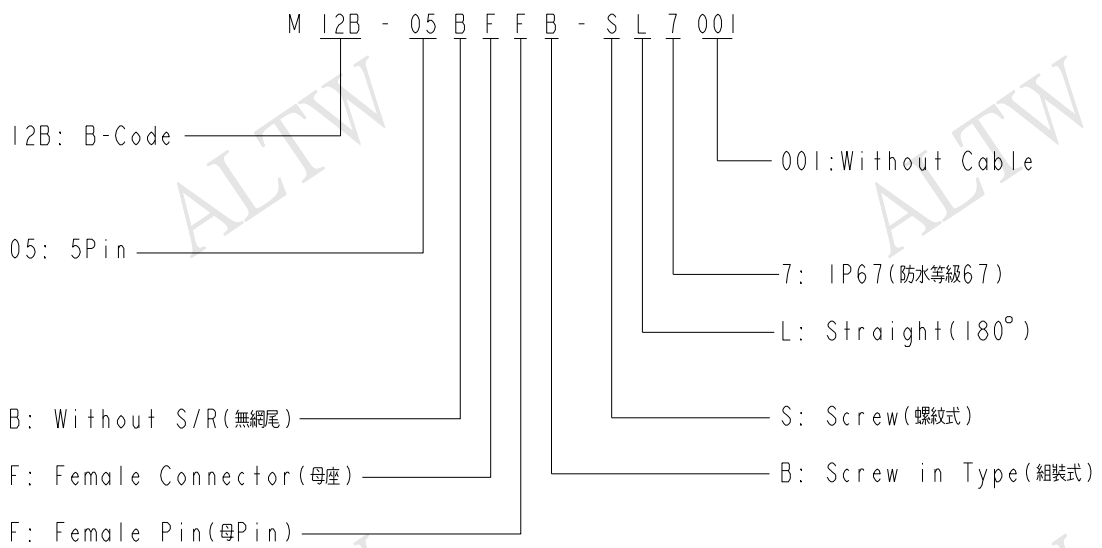
UNIT:mm		
TOLERANCE	±0.5mm	

TITLE M12 B-Code Unshielded Assy 5Pin F Conn. F Pin			
SCALE 1:1	SIZE A4	SHEET 1 OF 2	
REV. A	WC-REV. A.2	QC: Inspection item	

**Amphenol LTW**  
安費諾亮泰企業股份有限公司

ITEM NO. M12B-05BFFB-SL7001	DRAWN BY Mila	DATE 2015-10-08
DWG NO. M12B-05BFFB-SL7001	CHECKED BY Cary	DATE 2015-10-08
CUSTOMER ALTW	APPROVED BY Jerry	DATE 2015-10-08

THIS DOCUMENT IS SUBJECT TO CHANGE WITHOUT NOTICE. IT IS CONFIDENTIAL AND A PROPERTY OF Amphenol LTW. DISCLOSURE TO THIRD PARTY HAS TO BE AUTHORIZED BY Amphenol LTW.



- Note:
- \* Important Dimension To Check.
  - \* Waterproof Rate: IP67
  - \* Housing: Nylon,Black
  - \* Female Pin: Copper Alloy, Gold Plated
  - \* Female Nut: Zinc Alloy, Nickel Plated
  - \* Nut:PBT+PC,Black
  - \* O-Ring: Silicon,Grey.
  - \* Clamp Ring: Nylon,Black
  - \* Sealing Nut:PBT+PC,Black
  - \* Seal: Silicon,Grey
  - \* Seal For Cable OD:  $\varnothing 4.0\text{mm} \sim \varnothing 8.0\text{mm}$
  - \* Screws for Wire connection recommended  
tightening torque: 0.61~0.84 kgf.cm / 0.059~0.082 N.m
  - \* Applicable Wire gauge (Stranded wire cross section)  
0.14mm<sup>2</sup> (26AWG) ~ 0.82mm<sup>2</sup> (18AWG)
  - \* Mating Recommended tightening torque:  
3~4 kgf.cm / 0.29~0.39 N.m
  - \* Sealing-Nut Recommended tightening torque:  
4~6 kgf.cm / 0.39~0.59 N.m
  - \* Detailed applicable wire specifications may vary depending on the actual wire construction.

A	UNIT:mm		TITLE M12 B-Code Unshielded Assy 5Pin F Conn. F Pin		<h2 style="text-align: center;">Amphenol LTW</h2> <p style="text-align: center;">安費諾亮泰企業股份有限公司</p>	ITEM NO M12B-05BFFB-SL7001	DRAWN BY Mila	DATE 2015-10-08
	TOLERANCE $\pm 0.5\text{mm}$	SCALE 1:1	SIZE A4	SHEET 2 OF 2		DWG NO M12B-05BFFB-SL7001	CHECKED BY Cary	DATE 2015-10-08
	REV. A	WC-REV. A.2	Inspection item	CUSTOMER ALTW		APPROVED BY Jerry	DATE 2015-10-08	

## X-ON Electronics

Largest Supplier of Electrical and Electronic Components

*Click to view similar products for [Sensor Cables / Actuator Cables](#) category:*

*Click to view products by [Amphenol](#) manufacturer:*

Other Similar products are found below :

[1300070444](#) [43-10984](#) [M83513/19-F01CP](#) [704000D02F120](#) [MDM15SH001K](#) [MDM25PH003BF222](#) [802027107404-1](#) [885030A09M010](#)  
[885030A09M020](#) [1200650174](#) [1200651332](#) [1200651713](#) [1200660171](#) [1200660208](#) [1200660343](#) [1200660804](#) [1200660845](#) [1200660926](#)  
[1200660977](#) [1200661173](#) [1200661354](#) [120066-1712](#) [1200720053](#) [1200720099](#) [1200720153](#) [1200720172](#) [1200720217](#) [1200720226](#)  
[1200720251](#) [1200720285](#) [1200720296](#) [1200720404](#) [1200730148](#) [1200730378](#) [1200800231](#) [1200860112](#) [1200860121](#) [1200860125](#)  
[1200860337](#) [1200860365](#) [1200860420](#) [1200870046](#) [1200870123](#) [1200870248](#) [1200980102](#) [1200660181](#) [1200660183](#) [1200660827](#)  
[1200660849](#) [1200661170](#)