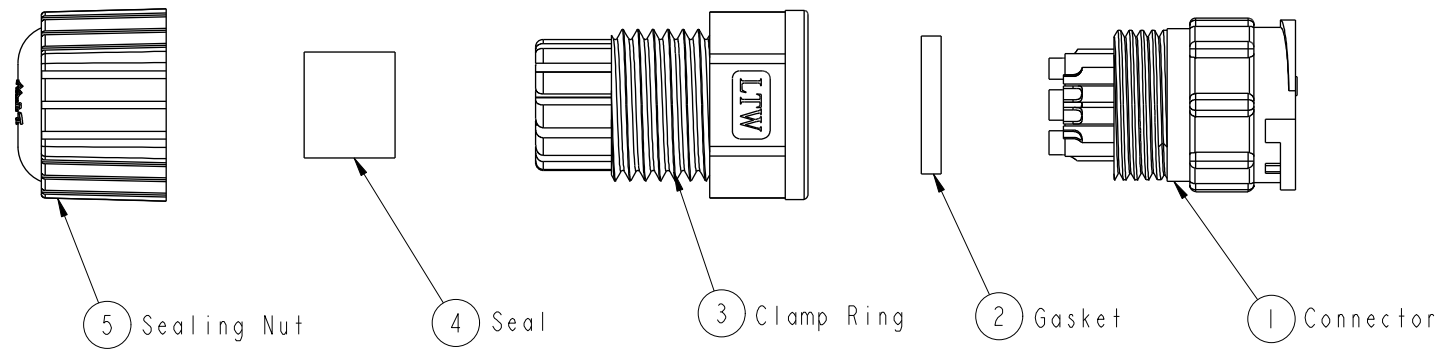
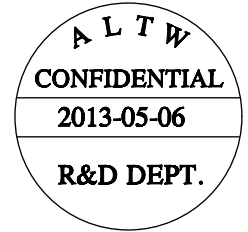
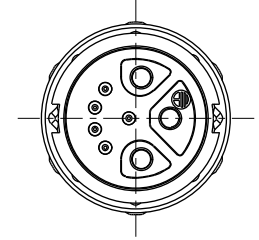
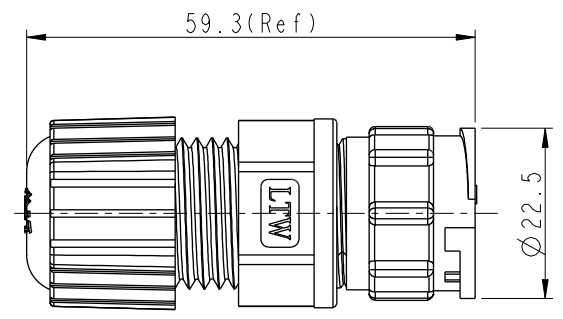


THIS DOCUMENT IS SUBJECT TO CHANGE WITHOUT NOTICE. IT IS CONFIDENTIAL AND A PROPERTY OF AMPHENOL LTW. DISCLOSURE TO THIRD PARTY HAS TO BE AUTHORIZED BY AMPHENOL LTW.

REV.	ECN NO.	DATE	SIGN	DESCRIPTION
B	LEN1340139	2013/04/26	Yulong	Update the Note
C	LEN1350059	2013/05/06	Ruru	Modify Cable OD Max



Conn.  
Pin Assignments  
Front View



- Note:
- \*  $\text{CC}$  Important Dimension To Check
  - \* Waterproof Rate: IP67
  - \* Connector: Nylon+GF, Black
  - \* Pin: Copper Alloy, Gold Plated
  - $\triangle B$ \* Gasket: Silicone, Black
  - \* Clamp Ring: Nylon, Black
  - \* Seal: Silicone, Gray
  - \* Sealing Nut: Nylon, Black
  - $\triangle C$ \* Cable OD Max:  $\varnothing 9.5 \sim \varnothing 10.8\text{mm}$

UNIT:mm		
TOLERANCE		
.X	$\pm 0.25$	
.XX	$\pm 0.1$	
.XXX	$\pm 0.05$	
ANGLES	$\pm 1^\circ$	

TITLE Large Assy Connector MConn 3FPin(20A)+5MPin(2A)			
SCALE 1:1	SIZE A4	SHEET 1 OF 1	
REV. C	WC-REV. C.1	$\text{CC}$ : Inspection item	

**Amphenol LTW**  
安費諾亮泰企業股份有限公司

ITEM NO DCU-08BMDA-LL7001	DRAWN BY Ruru	DATE 2013-05-06
DWG NO DCU-08BMDA-LL7001	CHECKED BY Rita	DATE 2013-05-06
CUSTOMER ALTW	APPROVED BY Maslow	DATE 2013-05-06

## X-ON Electronics

Largest Supplier of Electrical and Electronic Components

*Click to view similar products for [Standard Circular Connector](#) category:*

*Click to view products by [Amphenol](#) manufacturer:*

Other Similar products are found below :

[C015](#) [10F006](#) [001](#) [1](#) [5M2530B10P](#) [600259N006](#) [600273N007](#) [600432N009](#) [6280-2PG-519](#) [6280-3PG-311](#) [6280-3SG-311](#) [6280-7SG-3DC](#)  
[6280-7SG-522](#) [6282-5PG-311](#) [6282-6PG-519](#) [6282-8SG-311](#) [6283-11](#) [6283-15](#) [6290](#) [6382-2PG-311](#) [6382-2PG-3DC](#) [6382-2SG-321](#) [6382-2SG-3DC](#) [6382-4SG-516](#) [67-03E20-37P](#) [681-PMG](#) [CXS3102A14S2P](#) [CXS3102A181S](#) [CXS3106A14S6S](#) [MB12P-1](#) [MB12R-6](#) [7251-2PG-300](#) [7251-2SG-300](#) [7251-4PG-300](#) [7251-4SG-300](#) [7251-5PG-300](#) [7251-5SG-300](#) [7251-6SG-300](#) [7251-7PG-300](#) [7251-8PG-300](#) [7271-6SG-300](#) [7282-3PG-300-CH3](#) [73000005663](#) [75-190216-08S](#) [75-190218-10P](#) [75-474118-10P](#) [75-474618-01S](#) [75-474620-07P](#) [799539-000](#) [MI8-SE](#) [80-190222-18P](#) [805-005-07NF11-19PC](#) [805-005-07NF15-7PA](#)