

Description

Primary pulsed switched mode power supply (SMPS) for rail mounting, wide range input, integral active power factor correction (PFC), high power reserve and selectable parallel mode.

Features and Benefits

- Wide range voltage input from AC 90 to 264 V
- Efficiency up to 90%
- Integral power factor compensation
- Parallel mode for performance improvement (selectable by switch)

Typical applications

Process control, industrial switch- and controlgear, machine construction, telecommunication systems

Order numbering code

Type No.	
SMP21	Single phase switch-mode power supply for rail mounting
Connector design	
L	pcb mounting (preferred type)
S	plug-in type
Terminal design	
20	screw terminals
Output voltage	
DC24V	DC 24 V
Output current	
20 A	
SMP21-L20-DC24V-20A ordering example	

Approvals

Approval authority	Standards
UL	UL508, CSA C22.2 No. 107.1 (listed) UL 60950-1, CSAC22.2 No. 60950-1 (recognized)
TÜV Rheinland	EN 60950-1 / EN61558-1 / EN61558-2-16

EMC

EN 61000-6-3, EN 61000-6-2, EN 61204-3



SMP21-DC24V-20A
Version L20

Technical data ($T_U = 25^\circ\text{C}$, $U_B = \text{AC } 100\text{...}240 \text{ V}$, $I_0 = 20 \text{ A}$)

Operating data

Input voltage ranges U_E	AC 90...264 V
Operating voltage range U_B	AC 100...240 V
Effective output	480 W
Output voltage U_0	24 V SELV
Output current rating I_0	20 A
Efficiency	87 % min. / 90 % typically

General data

Switching frequency	60 kHz
Insulation voltage between input and output	AC 3000 V, DC 4242 V
Insulation voltage between input and protective conductor	AC 1500 V, DC 2121 V
Insulation voltage between output and protective conductor	AC 500 V, DC 710 V
Insulation resistance	100 M Ω (DC 500 V) between input and output
Ambient temperature	-40°C...+71°C
Derating factor (see curve)	2.5 % / °C
Storage temperature	-40°C...+85°C
Relative humidity	20...90 % RH
MTBF to Bellcore, ed. 6	469,000 hours at 40°C, GB
Max. altitude in operation to IEC 60068-2-13	5000 m above sea level
Cooling	by convection
Mounting direction	wall-mounted (see dimensions)
Pollution degree	2

Input circuit

Input rated voltage	AC 100...240 V
Input voltage range	AC 90...264 V
Input current	2.5 A typically at $U_B = \text{AC } 230 \text{ V}$ 4.9 A typically at $U_B = \text{AC } 115 \text{ V}$
Max. input current	3.5 A at $U_B = \text{AC } 180 \text{ V}$ 7.0 A at $U_B = \text{AC } 90 \text{ V}$
Supply frequency	47...63 Hz

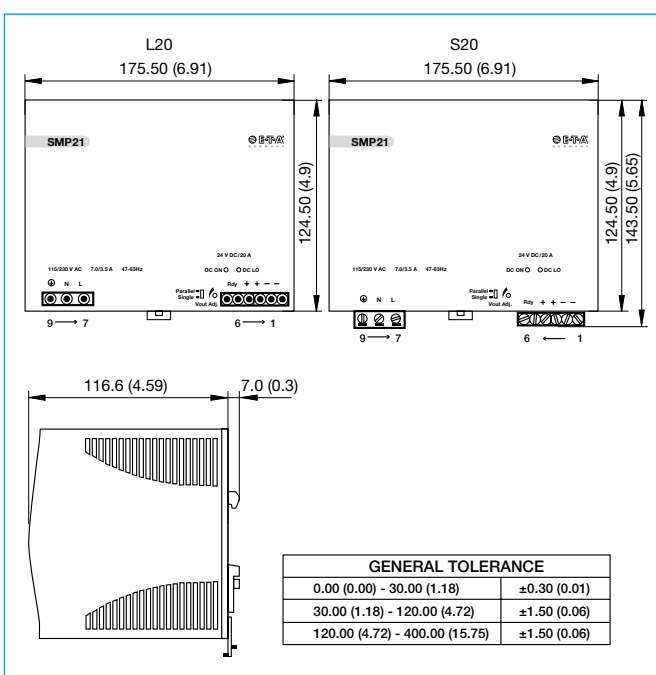
Technical data ($T_U = 25^\circ\text{C}$, $U_B = \text{AC } 100\text{...}240 \text{ V}$, $I_0 = 20 \text{ A}$)

Inrush current at AC 115 V at AC 230 V	25 A max. 50 A max.
Power loss (at U_B 230 V, I_0 20 A)	63 W typically
Power factor compensation (active)	0.99 A typically at $U_B = \text{AC } 115 \text{ V}$ 0.97 A typically at $U_B = \text{AC } 230 \text{ V}$
Output circuit	
Rated voltage U_0	DC 24 V SELV
Current rating I_0	20 A
Output voltage accuracy	0...+1 %
Min. load	0 %
Supply regulation	$\pm 0.5 \%$ at U_E min. ... U_E max.
Load regulation Single mode Parallel mode	$\pm 1 \%$ $\pm 5 \%$
Voltage adjustment range	DC 22.5...28.5 V at $0.8 \times I_0$
Continuous load	20 A at $U_0 = \text{DC } 24 \text{ V}$, 16.8 A at $U_0 = \text{DC } 28.5 \text{ V}$
Power boost factor	typically 125 % (110%...140% see output curve)
Short circuit behaviour	U/I trip curve
Exposure time	25 / 30 ms
ON delay at: resistive load capacitive load of 7,000 μF	1 s 1.5 s
Rise time at: resistive load capacitive load of 7,000 μF	150 ms 0.5 s
Release time	150 ms
Residual ripple	100 mV, spectrum = 20 MHz
Reverse polarity voltage resistance	DC 35 V min.
Capacitive load	7,000 μF max.
Parallel mode	3 power supplies max. at $0.1 \times I_0 \dots 0.9 \times I_0$

Technical data ($T_U = 25^\circ\text{C}$, $U_B = \text{AC } 100\text{...}240 \text{ V}$, $I_0 = 20 \text{ A}$)

Control and protection circuit	
input protection	internal blade fuse T10A / AC 250 V
Recommended back-up fuse	1-pole MCB, e.g. E-T-A type 4230
Current rating	10 A / 16 A \rightarrow max. 20 A
Characteristic curve	B / C / D
Internal overvoltage protection	varistor
available power (output RDY)	Contact closed at: DC 17.6...19.4 V
Insulation voltage Contact load at	DC 500 V (to output) DC 60 V / 0.3 A
Overvoltage protection	30...33 V at $0.8 \times I_0$
Degree of protection	IP20
Physical data	
Dimensions (h x w x d) version L20 with screw terminals: Version S20 with removeable plug	124.5 x 175.5 x 123.6 mm (4,9 x 6,91 x 4,87 inches) 143.5 x 175.5 x 123.6 mm (5,65 x 6,91 x 4,87 inches)
Housing material:	metal
Mass	approx. 1920 g
Vibration (random vibration, to IEC 60068-2-6)	mounted on symmetrical rail, 10 - 500 Hz, 2 g, on X, Y & Z axis, 60 minutes per axis
Shock (to IEC 60068-2-27,)	15 g (11 ms), 3 axes, 6 sides, 3 times per side

Dimensions



3

Mounting and Installation

Mounting	snap onto DIN rail (TS35/7.5 or TS35/15)
Ventilation / cooling	normal air convection, recommended distance on each side 25 mm
Mounting position	wall-mounted with the input terminals pointing downwards (see dimensions)

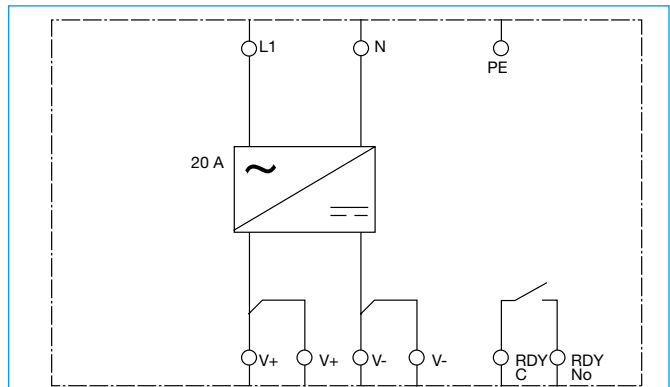
Version L20 with screw terminals:

Screw terminals	input terminal	AWG24-10 (0.2 mm ² – 4 mm ²) flexible/rigid
	output terminal	AWG24-10 (0.2 mm ² – 4 mm ²) flexible/rigid
Tightening torque	input connector	1 Nm max.
	Output terminal	0.6 Nm max.
Wire stripping length	8 mm	

Version S20 with removeable plug

Screw terminals	input terminal	AWG24-10 (0.2 mm ² – 4 mm ²) flexible/rigid
	output terminal	AWG24-10 (0.2 mm ² – 4 mm ²) flexible/rigid
Tightening torque	input connector	0.5 Nm max.
	Output connector	0.8 Nm max.

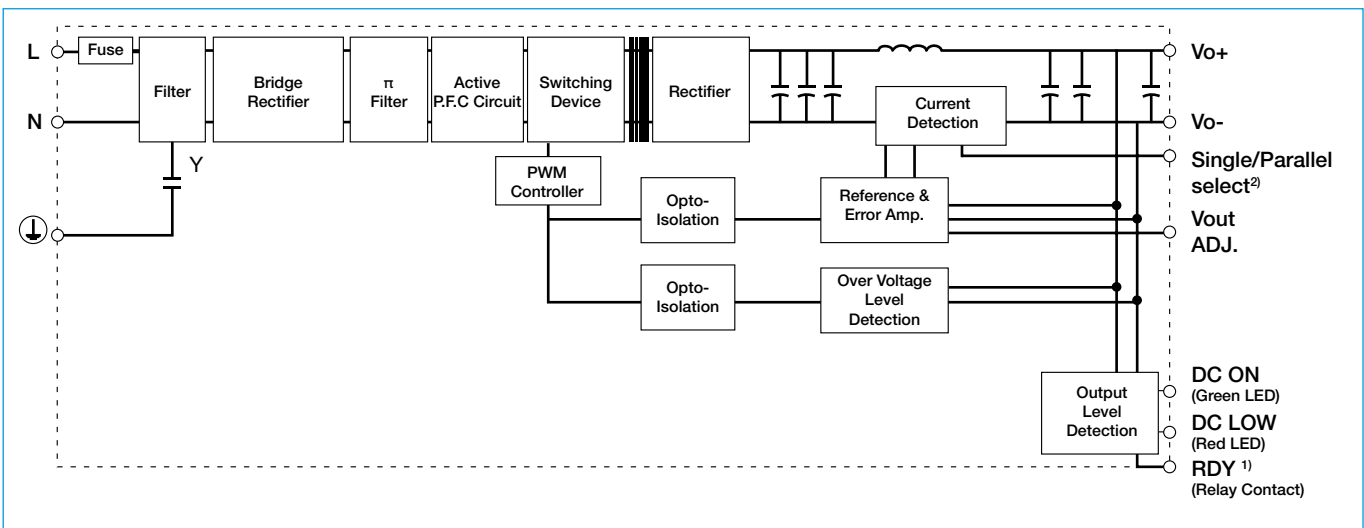
Pin assignment - Display - Controls



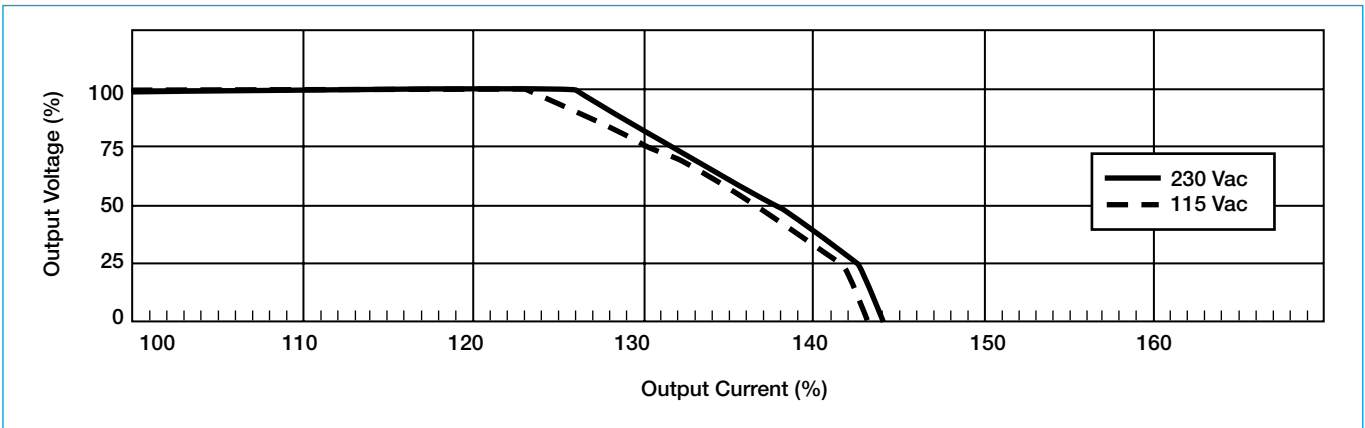
pin no.	name	Description
1, 2	V -	output voltage -
3, 4	V +	output voltage +
5	RDY	limit value DC ON, relay contact (make contact)
6		
7	L	Input voltage, phase conductor (not polarised with DC input voltage)
8	N	Input voltage, neutral conductor (not polarised with DC input voltage)
9	PE	earth conductor
	DC ON	visual status indication with LED
	DC LO	DC LOW output voltage LED indication
	Vout Adj	potentiometer for adjustment of output voltage U ₀
	S/P	change-over switch single / parallel mode

3

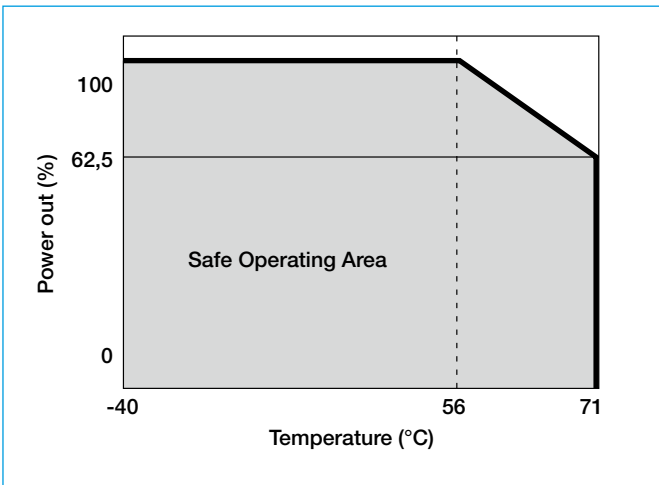
Schematic diagram



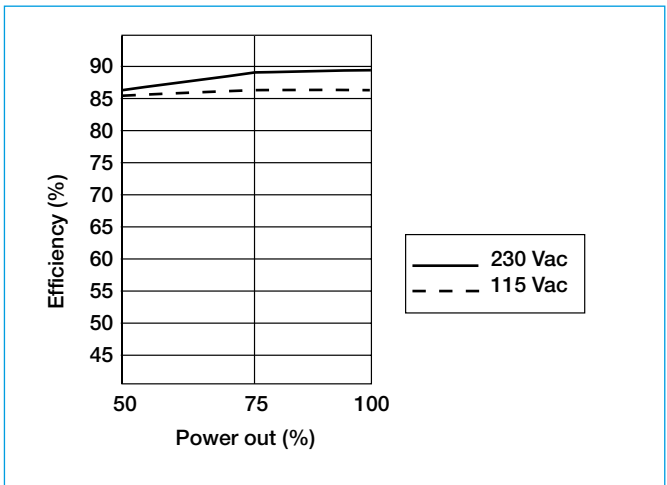
Typical output trip curve



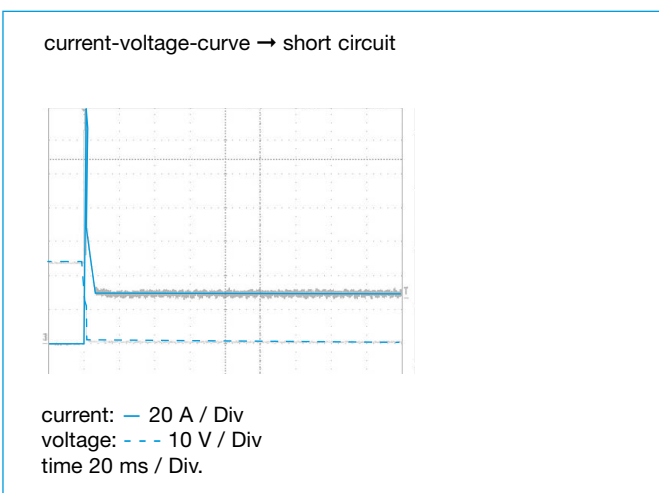
Derating curve



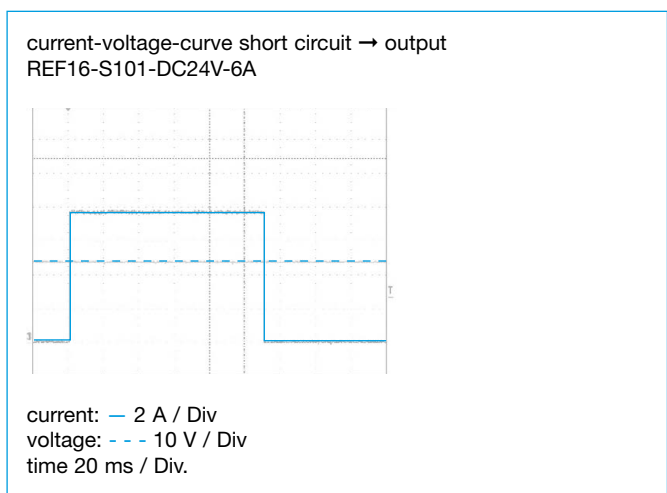
Typical efficiency curve



Current-voltage curve

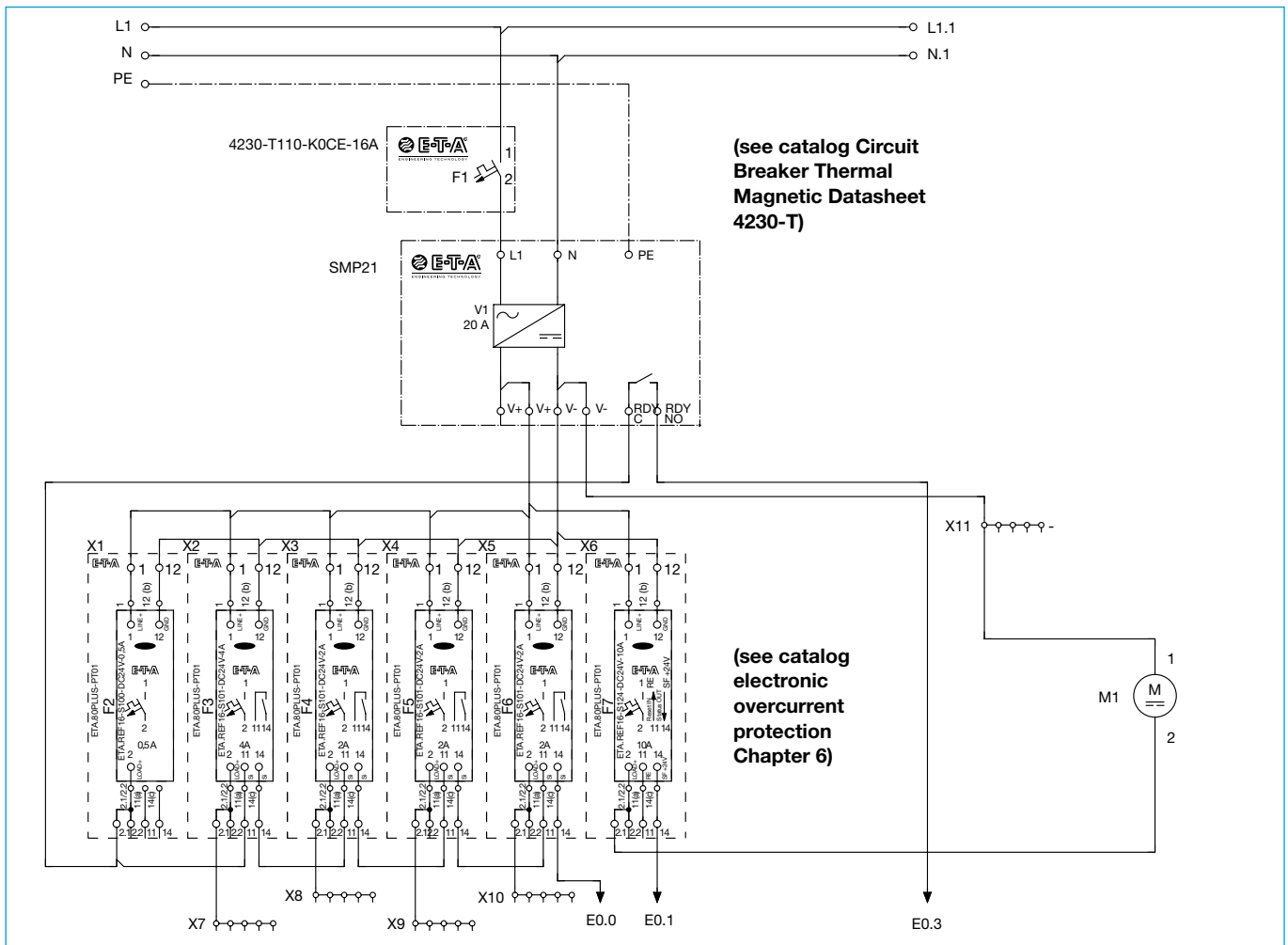


Current-voltage curve



3

Application example with protection by 4230-T and REF16-S



Notes for installation

- The power distribution system must only be installed by qualified personnel.
- Only after expert installation must the device be supplied with power.
- The user has to ensure that the cable cross section complies with the applicable current rating.
- The national standards (e.g. for Germany DIN VDE 0100) have to be observed for installation and selection of feed and return cables.
- Recommended circuit breaker for the primary input cable protection: E-T-A type 4230 IN max. 20 A
- Recommended selective overcurrent protection for the secondary output protection: E-T-A types ESS., ESX., and REF...
- In addition special precautions must be taken in the system or machine (e.g. use of a safety PLC) which reliably prevent an automatic re-start of parts of the system (cf. Machinery Directive 2006/42/EU and EN 60204-1, Safety of Machinery). In the event of a failure (short circuit/overload) the load circuit will be disconnected by the circuit breaker/protector or the switched mode power supply.

3

All dimensions without tolerances are for reference only. E-T-A reserves the right change specifications at any time in the interest of improved design, performance and cost effectiveness, the right to make changes in these specifications without notice is reserved. Product markings may not be exactly as the ordering codes. Errors and omissions excepted.

X-ON Electronics

Largest Supplier of Electrical and Electronic Components

Click to view similar products for [Switching Power Supplies](#) category:

Click to view products by [ETA](#) manufacturer:

Other Similar products are found below :

[70841011](#) [73-551-0005](#) [AAD600S-4-OP](#) [R22095](#) [HWS50A-5/RA](#) [KD0204](#) [9021](#) [S-15F-12](#) [LDIN100150](#) [LPM000-BBAR-01](#) [LPX17S-C](#)
[EVS57-10R6/R](#) [FDC40-24S12](#) [FRV7000G](#) [22929](#) [CQM1IA121](#) [40370121900](#) [VI-PU22-EXX](#) [40370121910](#) [LDIN5075](#) [432703037161](#)
[WRB01X-U](#) [LPX140-C](#) [08-30466-1040G](#) [09-160CFG](#) [70841004](#) [70841025](#) [VPX3000-CBL-DC](#) [LPM000-BBAR-05](#) [LPM000-BBAR-08](#)
[LPM124-OUTA1-48](#) [LPM000-BBAR-07](#) [LPM109-OUTA1-10](#) [LPM616-CHAS](#) [08-30466-1055G](#) [08-30466-2175G](#) [DMB-EWG](#) [TVQF-](#)
[1219-18S](#) [6504-226-2101](#) [CQM1IPS01](#) [XPFM201A+](#) [MAP80-4000G](#) [LFP300F-24-TY](#) [SMP21-L20-DC24V-5A](#) [VI-MUL-ES](#) [08-30466-](#)
[0065G](#) [CME240P-24](#) [VI-RU031-EWWX](#) [08-30466-0028G](#) [S82Y-TS01](#)