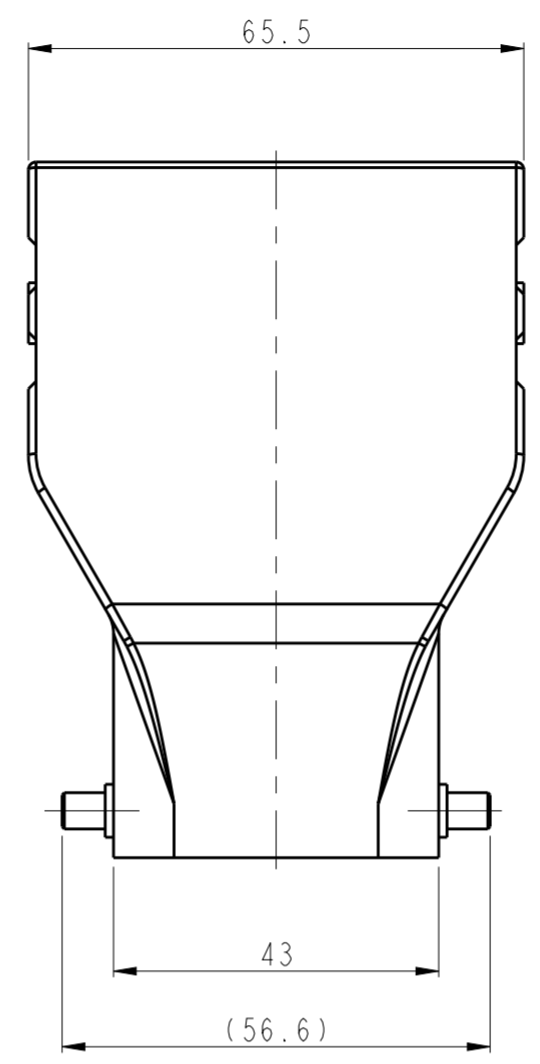
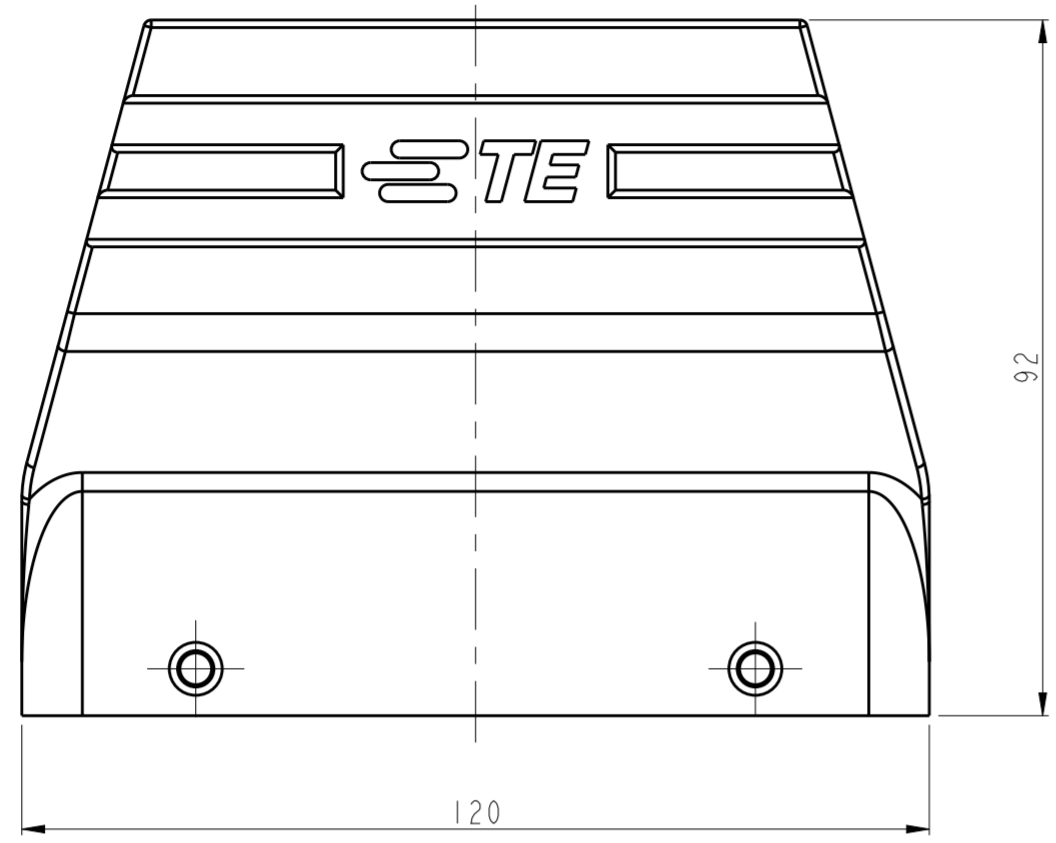


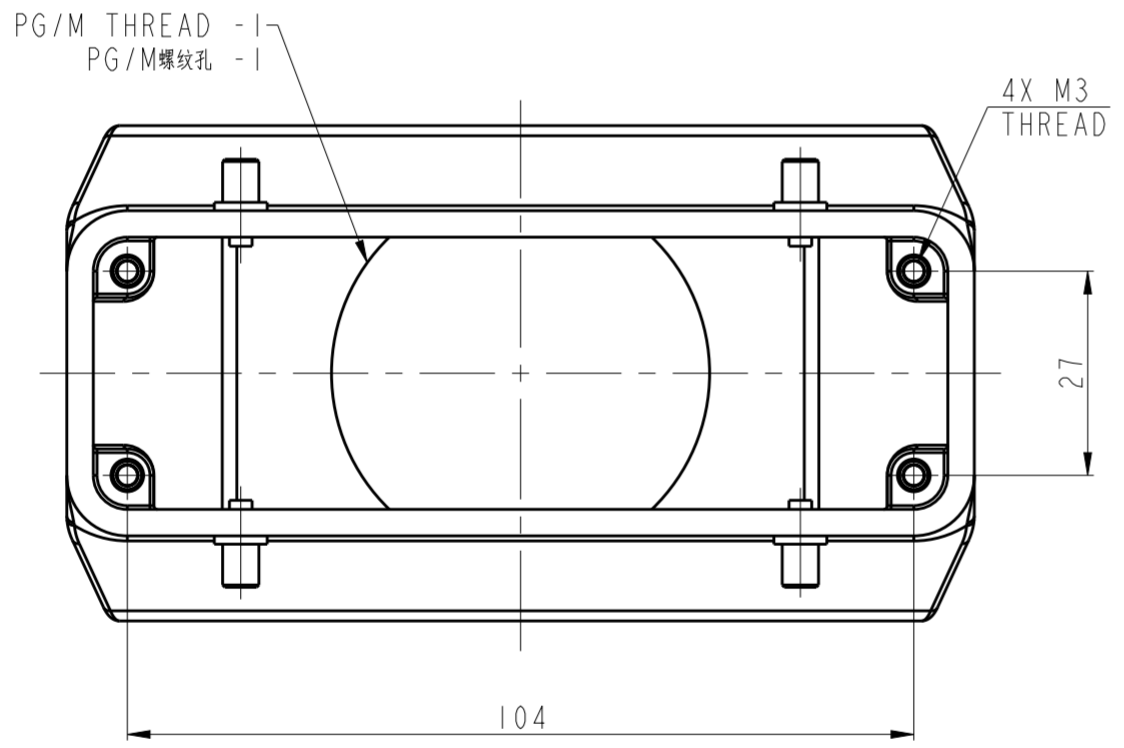
THIS DRAWING IS UNPUBLISHED. RELEASED FOR PUBLICATION 20
 © COPYRIGHT 20 BY - ALL RIGHTS RESERVED.

| REVISIONS | | | | |
|-----------|-----|-------------|-----------|-------|
| P | LTR | DESCRIPTION | DATE | APVD |
| | A | INITIAL | 22OCT2015 | RL CW |
| | | | | |
| | | | | |

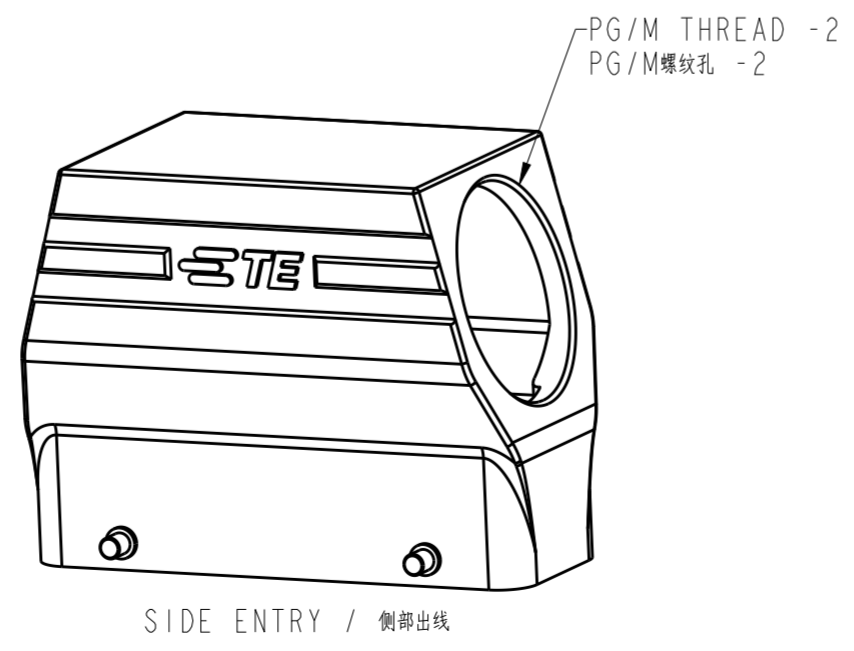
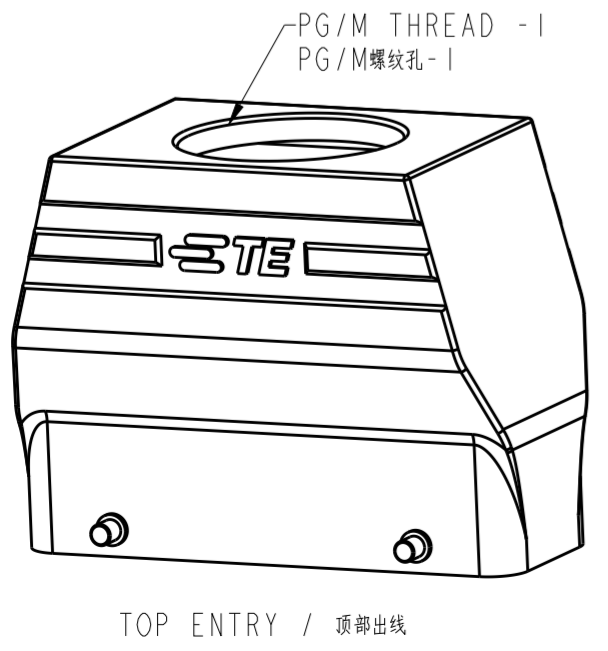


NOTES:
 1. TECHNICAL CHARACTERISTICS:
 HOOD MATERIAL: DIE CAST ALUMINUM ALLOY
 SURFACE: POWDER COATED, GREY
 DEGREE OF PROTECTION: IP65 (MATED)

注释
 1. 技术要求:
 上壳材料: 铝合金
 表面处理: 灰色粉末喷涂
 防护等级: IP65(配合)



| PART NUMBER | PART DESCRIPTION | PG/M THREAD -1 | PG/M THREAD -2 | TYPE |
|-----------------|---|----------------|----------------|------------------|
| T1236240129-000 | H24B-XWTSH-PG29 H24B HOOD, SIDE ENTRY PG29, 4 EAR, HIGH CONSTRUCTION, INNER WIDEN H24B上壳(侧出PG29, 4耳, 高结构, 内腔加宽) | - | PG29 | SIDE ENTRY 侧出 |
| T1236240136-000 | H24B-XWTSH-PG36 H24B HOOD, SIDE ENTRY PG36, 4 EAR, HIGH CONSTRUCTION, INNER WIDEN H24B上壳(侧出PG36, 4耳, 高结构, 内腔加宽) | - | PG36 | |
| T1236240140-000 | H24B-XWTSH-M40 H24B HOOD, SIDE ENTRY M40, 4 EAR, HIGH CONSTRUCTION, INNER WIDEN H24B上壳(侧出M40, 4耳, 高结构, 内腔加宽) | - | M40 | |
| T1236240150-000 | H24B-XWTSH-M50 H24B HOOD, SIDE ENTRY M50, 4 EAR, HIGH CONSTRUCTION, INNER WIDEN H24B上壳(侧出M50, 4耳, 高结构, 内腔加宽) | - | M50 | |
| T1246240129-000 | H24B-XWTGH-PG29 H24B HOOD, TOP ENTRY PG29, 4 EAR, HIGH CONSTRUCTION, INNER WIDEN H24B上壳(顶出PG29, 4耳, 高结构, 内腔加宽) | PG29 | - | TOP ENTRY 顶出 |
| T1246240136-000 | H24B-XWTGH-PG36 H24B HOOD, TOP ENTRY PG36, 4 EAR, HIGH CONSTRUCTION, INNER WIDEN H24B上壳(顶出PG36, 4耳, 高结构, 内腔加宽) | PG36 | - | |
| T1246240140-000 | H24B-XWTGH-M40 H24B HOOD, TOP ENTRY M40, 4 EAR, HIGH CONSTRUCTION, INNER WIDEN H24B上壳(顶出M40, 4耳, 高结构, 内腔加宽) | M40 | - | |
| T1246240150-000 | H24B-XWTGH-M50 H24B HOOD, TOP ENTRY M50, 4 EAR, HIGH CONSTRUCTION, INNER WIDEN H24B上壳(顶出M50, 4耳, 高结构, 内腔加宽) | M50 | - | |



THIS DRAWING IS A CONTROLLED DOCUMENT.

| | |
|--|----------------------------|
| DWN ROY LIU 22OCT2015 | TE Connectivity |
| CHK KYLE ZENG 22OCT2015 | |
| APVD CHRIS WANG 22OCT2015 | |
| PRODUCT SPEC 108-137013 | |
| MATERIAL - | NAME H24B-XWTGH/TSH-PG/M |
| TOLERANCES UNLESS OTHERWISE SPECIFIED: | SIZE A2 |
| 0 PLC ± | CAGE CODE 00779 |
| 1 PLC ± | DRAWING NO. T12X62401XX000 |
| 2 PLC ± | RESTRICTED TO - |
| 3 PLC ± | SCALE 3:5 |
| 4 PLC ± | SHEET 1 OF 1 |
| ANGLES ± | REV A |
| FINISH - | CUSTOMER DRAWING |

X-ON Electronics

Largest Supplier of Electrical and Electronic Components

Click to view similar products for [Heavy Duty Power Connectors](#) category:

Click to view products by [TE Connectivity](#) manufacturer:

Other Similar products are found below :

[1424439](#) [1424438](#) [09330062652](#) [2-8675P1](#) [605601-1](#) [6340G1](#) [6341G1](#) [6360G1](#) [6373G1](#) [6374g2](#) [6396G1](#) [647757-1](#) [66394-4](#) [6643411-1](#)
[6646058-2](#) [6646137-1](#) [6646138-1](#) [6646348-1](#) [6646479-1](#) [6646608-1](#) [6646786-1](#) [6646940-1](#) [6651091-1](#) [6651525-1](#) [6651529-1](#) [6651778-1](#)
[6651788-1](#) [696465-1](#) [696475-1](#) [73000005059](#) [73000005349](#) [73000005642](#) [73080255059](#) [73080965046](#) [765-15-0080A](#) [765-16-0080B](#)
[789.700-44](#) [789.700-54](#) [80-1010](#) [80-9](#) [827381-1](#) [829992-1](#) [902-77-02113](#) [PL00U-301-10D10](#) [PM103MOOLOO](#) [PM16S1620S32-50](#)
[PM212MOOLOO](#) [PM309FOOLOO](#) [PM324FOOLCH](#) [PMHPAF11S03](#)