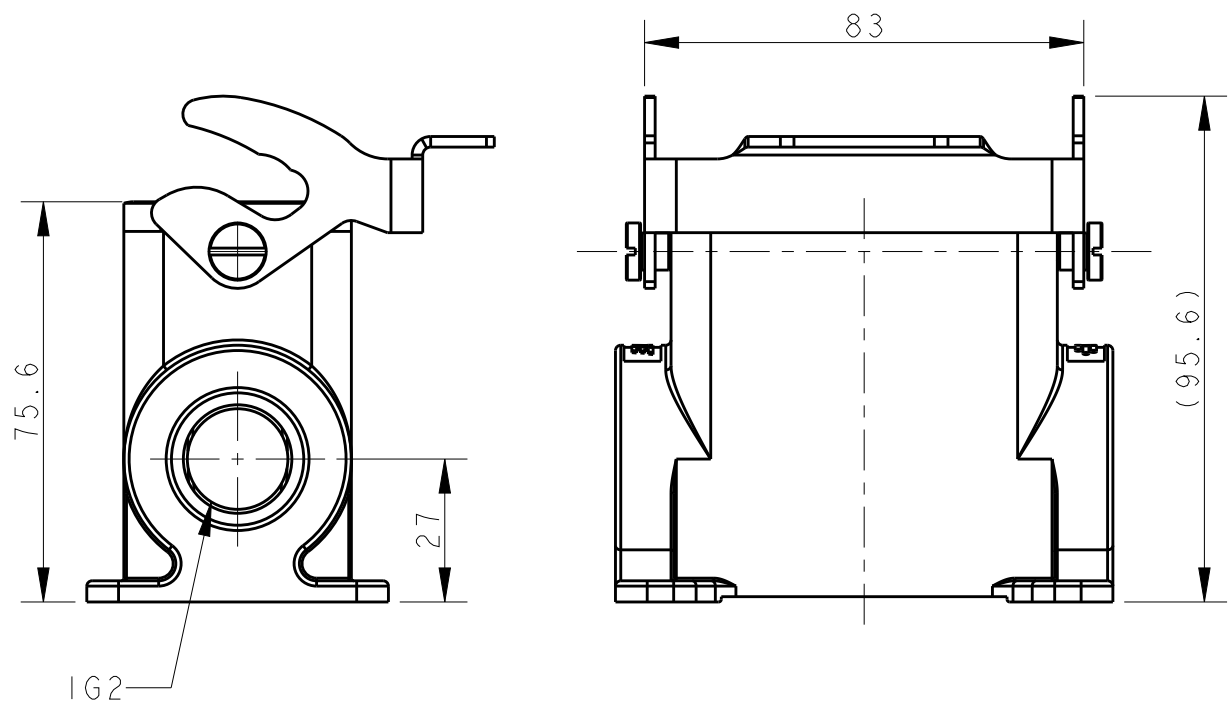
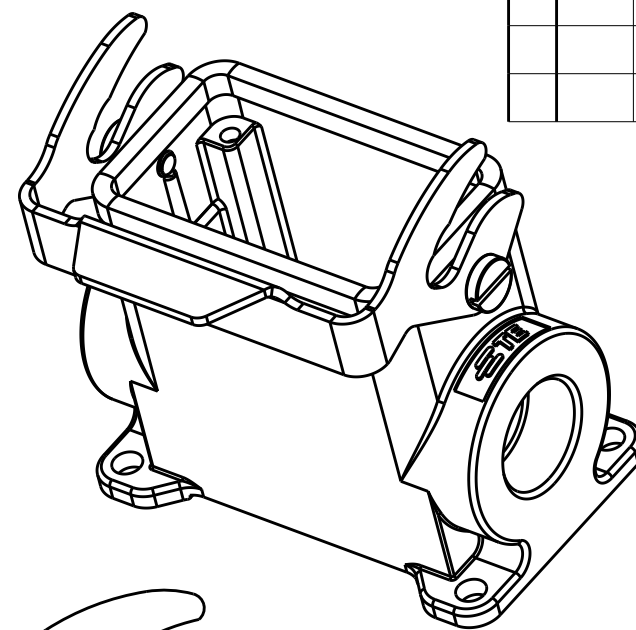
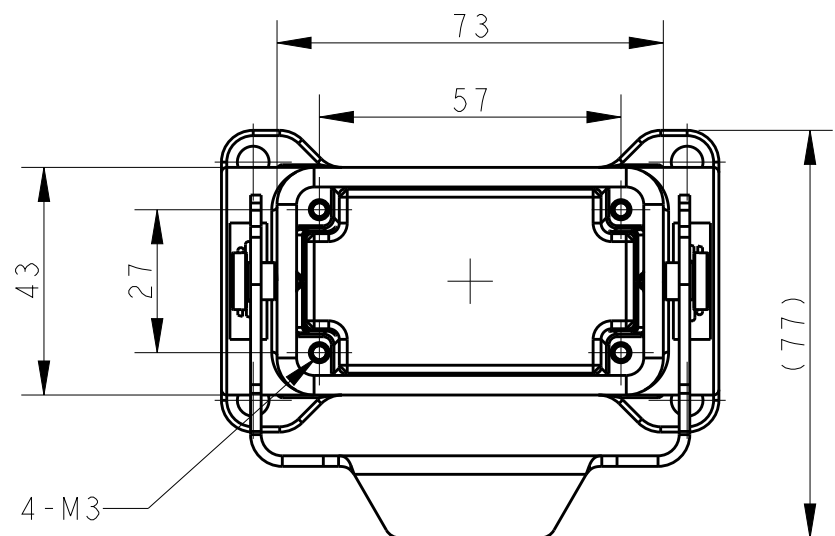


THIS DRAWING IS UNPUBLISHED. RELEASED FOR PUBLICATION 20
 © COPYRIGHT 20 BY - ALL RIGHTS RESERVED.

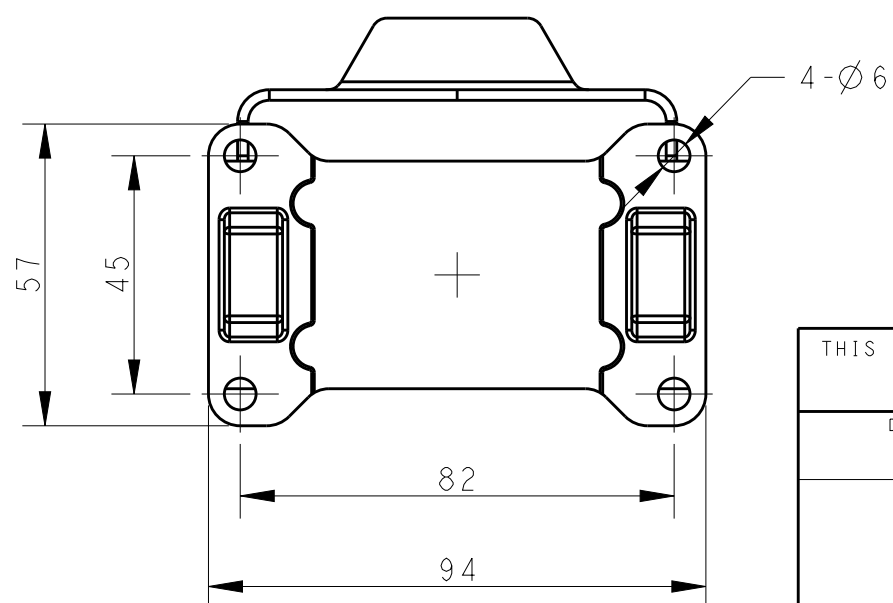
REVISIONS

| P | LTR | DESCRIPTION | DATE | DWN | APVD |
|---|-----|-----------------|-----------|-----|------|
| | A | INITIAL RELEASE | 08JUL2015 | DL | CW |
| | | | | | |
| | | | | | |



NOTES:
 1. TECHNICAL CHARACTERISTICS:
 BODY MATERIAL: DIE CAST ALUMINIUM ALLOY
 SURFACE TREATMENT: POWDER-COATED, GRAY
 OPERATION TEMPERATURE: -40-+125°C
 DEGREE OF PROTECTION: IP65 (MATED)

注释:
 1. 技术参数:
 主体材料: 铝合金
 表面处理: 粉末喷涂, 灰色
 工作温度: -40-+125°C
 防护等级: IP65(配合)



| | | | |
|----------------------|---------------------------|------|------|
| TI650103121-000 | H10B-SGRH-LB-PG21 | PG21 | - |
| TI650103129-000 | H10B-SGRH-LB-PG29 | PG29 | - |
| TI650103132-000 | H10B-SGRH-LB-M32 | M32 | - |
| TI650103221-000 | H10B-SGRH-LB-2PG21 | PG21 | PG21 |
| TI650103225-000 | H10B-SGRH-LB-2M25 | M25 | M25 |
| TI650103229-000 | H10B-SGRH-LB-2PG29 | PG29 | PG29 |
| TI650103232-000 | H10B-SGRH-LB-2M32 | M32 | M32 |
| TI650102532-000 | H10B-SGRH-LB-M25/M32 | M25 | M32 |
| ASSEMBLY PART NUMBER | ASSEMBLY PART DESCRIPTION | IG1 | IG2 |

| | | | | | | | | | |
|---|--|------------------|------------|-----------|----------------------------|-------------------|-----------|---------------|---|
| THIS DRAWING IS A CONTROLLED DOCUMENT. | | DWN | DAVID LI | 08JUL2015 | STE TE Connectivity | | | | |
| DIMENSIONS: mm | | CHK | CHRIS WANG | 08JUL2015 | | | | | |
| TOLERANCES UNLESS OTHERWISE SPECIFIED: | | APVD | XU XIANG | 08JUL2015 | | | | | |
| 0 PLC ±- 1 PLC ±- 2 PLC ±- 3 PLC ±- 4 PLC ±- ANGLES ±- | | PRODUCT SPEC | 108-137013 | | | | | | |
| MATERIAL TBD | | APPLICATION SPEC | 114-137013 | | NAME | H10B-SGRH-LB-PG/M | | | |
| FINISH - | | WEIGHT | - | | SIZE | A3 | CAGE CODE | - | |
| CUSTOMER DRAWING | | SCALE 7:10 | | | DRAWING NO | C-TI65010XXXX000 | | RESTRICTED TO | - |
| | | SHEET 1 OF 1 | | | REV | A | | | |

X-ON Electronics

Largest Supplier of Electrical and Electronic Components

Click to view similar products for [Heavy Duty Power Connectors](#) category:

Click to view products by [TE Connectivity](#) manufacturer:

Other Similar products are found below :

[1424439](#) [1424438](#) [09330062652](#) [2-8675P1](#) [605601-1](#) [6340G1](#) [6341G1](#) [6360G1](#) [6373G1](#) [6374g2](#) [6396G1](#) [647757-1](#) [66394-4](#) [6643411-1](#)
[6646058-2](#) [6646137-1](#) [6646138-1](#) [6646348-1](#) [6646479-1](#) [6646608-1](#) [6646786-1](#) [6646940-1](#) [6651091-1](#) [6651525-1](#) [6651529-1](#) [6651778-1](#)
[6651788-1](#) [696465-1](#) [696475-1](#) [73000005059](#) [73000005349](#) [73000005642](#) [73080255059](#) [73080965046](#) [765-15-0080A](#) [765-16-0080B](#)
[789.700-44](#) [789.700-54](#) [80-1010](#) [80-9](#) [827381-1](#) [829992-1](#) [902-77-02113](#) [PL00U-301-10D10](#) [PM103MOOLOO](#) [PM16S1620S32-50](#)
[PM212MOOLOO](#) [PM309FOOLOO](#) [PM324FOOLCH](#) [PMHPAF11S03](#)