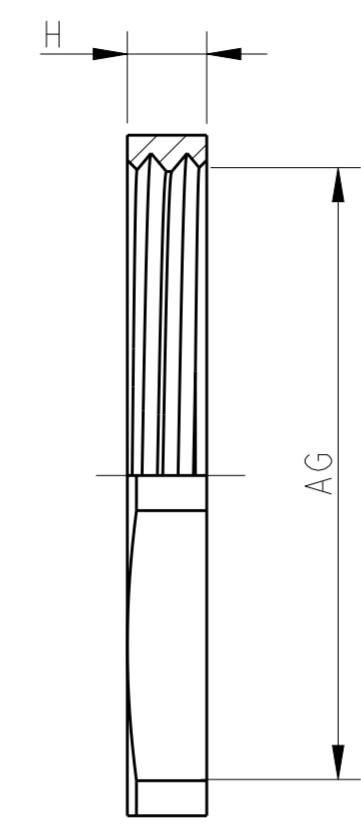
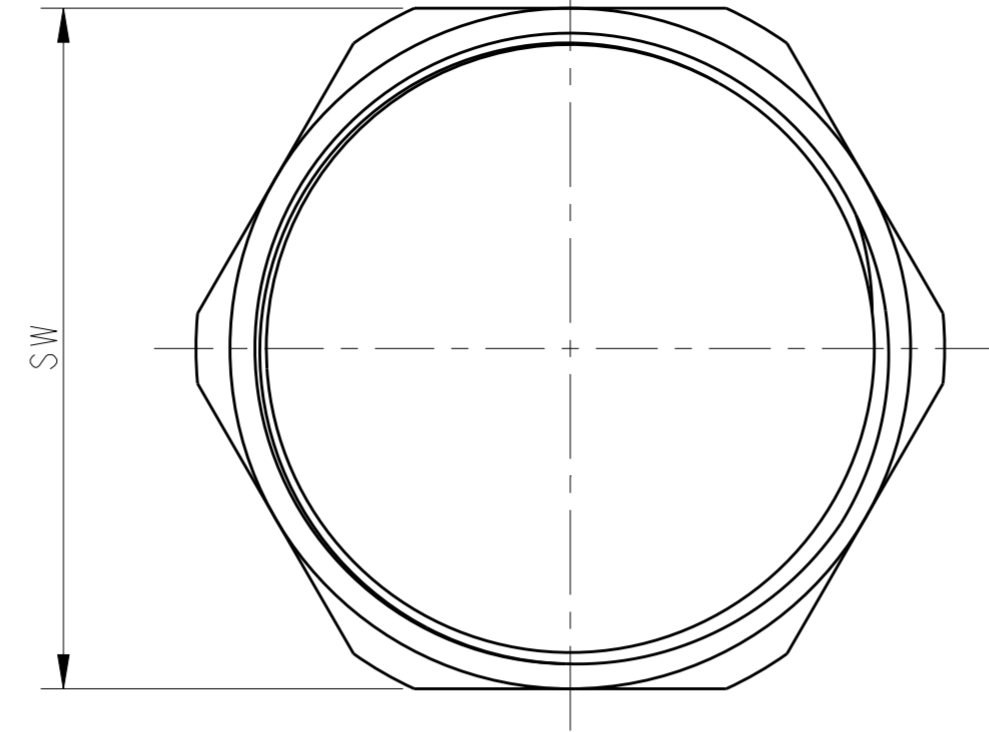
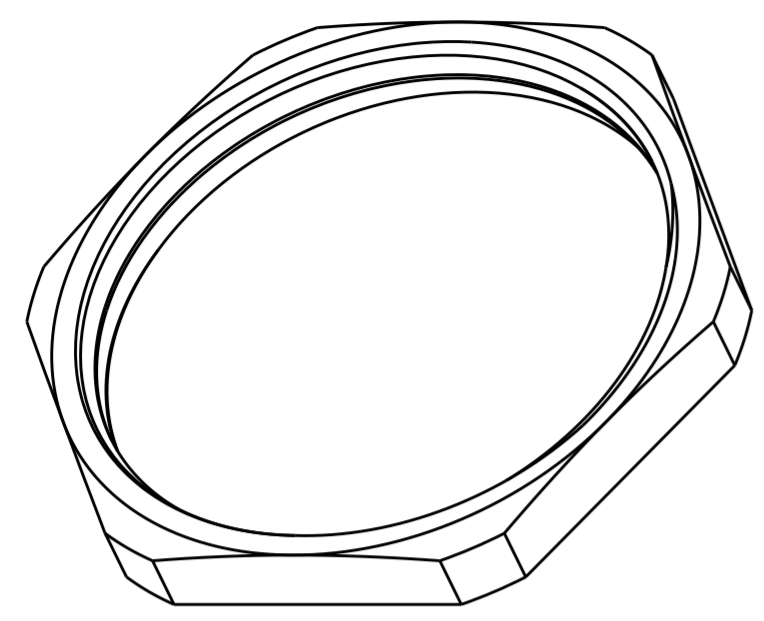


THIS DRAWING IS UNPUBLISHED. RELEASED FOR PUBLICATION 20
 © COPYRIGHT 20 BY - ALL RIGHTS RESERVED.

REVISIONS				
P	LTR	DESCRIPTION	DATE	APVD
	A	INITIAL	15OCT2015	DW CW
	A1	ECR-17-010193	19JUL2017	YC CW




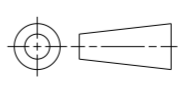
PG7	2.8	15	LN-7-MS	METAL LOCK NUTS PG7 金属螺母 PG7	T3161070001-000
PG9	2.8	18	LN-9-MS	METAL LOCK NUTS PG9 金属螺母 PG9	T3161090001-000
PG11	3	21	LN-11-MS	METAL LOCK NUTS PG11 金属螺母 PG11	T3161110001-000
PG13.5	3	23	LN-13-MS	METAL LOCK NUTS PG13.5 金属螺母 PG13.5	T3161130001-000
PG16	3	26	LN-16-MS	METAL LOCK NUTS PG16 金属螺母 PG16	T3161160001-000
PG21	3.5	30	LN-21-MS	METAL LOCK NUTS PG21 金属螺母 PG21	T3161210001-000
PG21	3.5	32	LN-21-MS	METAL LOCK NUTS PG21 金属螺母 PG21	T3161210001-100
PG29	4	40	LN-29-MS	METAL LOCK NUTS PG29 金属螺母 PG29	T3161290001-000
PG36	5	50	LN-36-MS	METAL LOCK NUTS PG36 金属螺母 PG36	T3161360001-000
PG42	5	59	LN-42-MS	METAL LOCK NUTS PG42 金属螺母 PG42	T3161420001-000
PG48	5.5	65	LN-48-MS	METAL LOCK NUTS PG48 金属螺母 PG48	T3161480001-000
M12X1.5	2.8	15	LN-12-M	METAL LOCK NUTS M12 金属螺母 M12	T3161120050-000
M16X1.5	2.8	19	LN-16-M	METAL LOCK NUTS M16 金属螺母 M16	T3161160050-000
M20X1.5	3	24	LN-20-M	METAL LOCK NUTS M20 金属螺母 M20	T3161200050-000
M20X1.5	3	23	LN-20-M	METAL LOCK NUTS M20 金属螺母 M20	T3161200150-000
M25X1.5	3.5	30	LN-25-M	METAL LOCK NUTS M25 金属螺母 M25	T3161250050-000
M27X1.5	5	30	LN-27-M	METAL LOCK NUTS M27 金属螺母 M27	T3161270051-000
M28X1.5	3.5	32	LN-28-M	METAL LOCK NUTS M28 金属螺母 M28	T3161280001-000
M32X1.5	4	35	LN-32-M	METAL LOCK NUTS M32 金属螺母 M32	T3161320050-000
M32X1.5	4	40	LN-32-BM	METAL LOCK NUTS M32,LARGE 金属加大螺母 M32	T3161320050-100
M40X1.5	4.5	46	LN-40-M	METAL LOCK NUTS M40 金属螺母 M40	T3161400050-000
M50X1.5	5.5	57	LN-50-M	METAL LOCK NUTS M50 金属螺母 M50	T3161500050-000
M63X1.5	6	70	LN-63-M	METAL LOCK NUTS M63 金属螺母 M63	T3161630050-000
AG	H	SW	PART DESCRIPTION 描述		PART NUMBER 料号

NOTES:

1. TECHNICAL CHARACTERISTICS:
 MATERIAL : BRASS
 PLATING : NICKEL PLATED
 OPERATION TEMPERATURE : -40°C - +125°C

注释:

1. 技术参数:
 材料 : 黄铜
 电镀 : 镀镍
 工作温度 : -40°C - +125°C

THIS DRAWING IS A CONTROLLED DOCUMENT.		DWN DAVID WANG 15OCT2015	 TE Connectivity	
DIMENSIONS: mm		CHK CHRIS WANG 15OCT2015		
TOLERANCES UNLESS OTHERWISE SPECIFIED:		APVD XIANG XU 15OCT2015	NAME METAL LOCK NUTS BRASS, NICKEL- PLATED	
		PRODUCT SPEC	SIZE CAGE CODE DRAWING NO RESTRICTED TO	
MATERIAL		APPLICATION SPEC	A200779 C-T3161XX0XXXX00	
0 PLC ± 1 PLC ± 2 PLC ± 3 PLC ± 4 PLC ± ANGLES ± FINISH -		WEIGHT	SCALE 3:1 SHEET 1 OF 1 REV A1	
		CUSTOMER DRAWING		

X-ON Electronics

Largest Supplier of Electrical and Electronic Components

Click to view similar products for [Heavy Duty Power Connectors](#) category:

Click to view products by [TE Connectivity](#) manufacturer:

Other Similar products are found below :

[1424439](#) [1424438](#) [09330062652](#) [2-8675P1](#) [605601-1](#) [6340G1](#) [6341G1](#) [6360G1](#) [6373G1](#) [6374g2](#) [6396G1](#) [647757-1](#) [66394-4](#) [6643411-1](#)
[6646058-2](#) [6646137-1](#) [6646138-1](#) [6646348-1](#) [6646479-1](#) [6646608-1](#) [6646786-1](#) [6646940-1](#) [6651091-1](#) [6651525-1](#) [6651529-1](#) [6651778-1](#)
[6651788-1](#) [696465-1](#) [696475-1](#) [73000005059](#) [73000005349](#) [73000005642](#) [73080255059](#) [73080965046](#) [765-15-0080A](#) [765-16-0080B](#)
[789.700-44](#) [789.700-54](#) [80-1010](#) [80-9](#) [827381-1](#) [829992-1](#) [902-77-02113](#) [PL00U-301-10D10](#) [PM103MOOLOO](#) [PM16S1620S32-50](#)
[PM212MOOLOO](#) [PM309FOOLOO](#) [PM324FOOLCH](#) [PMHPAF11S03](#)