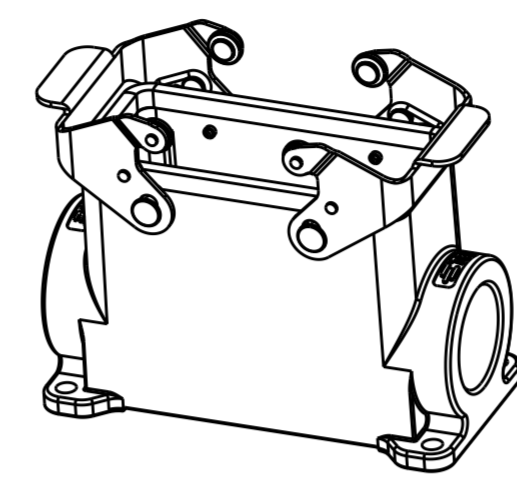
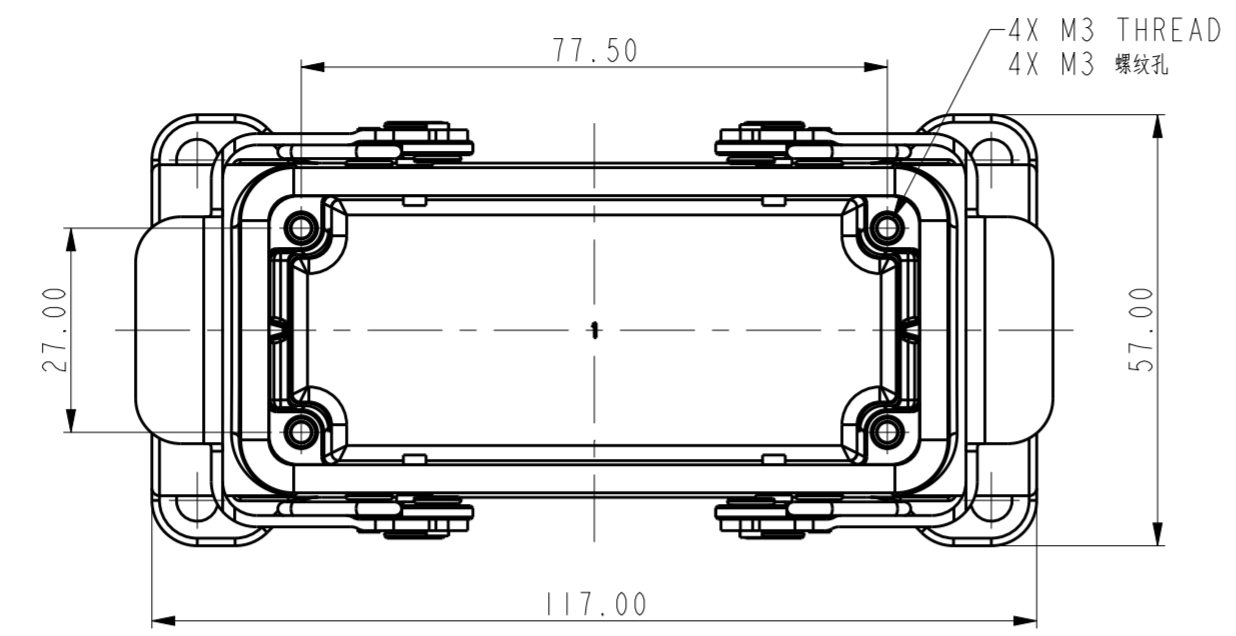


THIS DRAWING IS UNPUBLISHED. RELEASED FOR PUBLICATION 20  
 © COPYRIGHT 20 BY - ALL RIGHTS RESERVED.

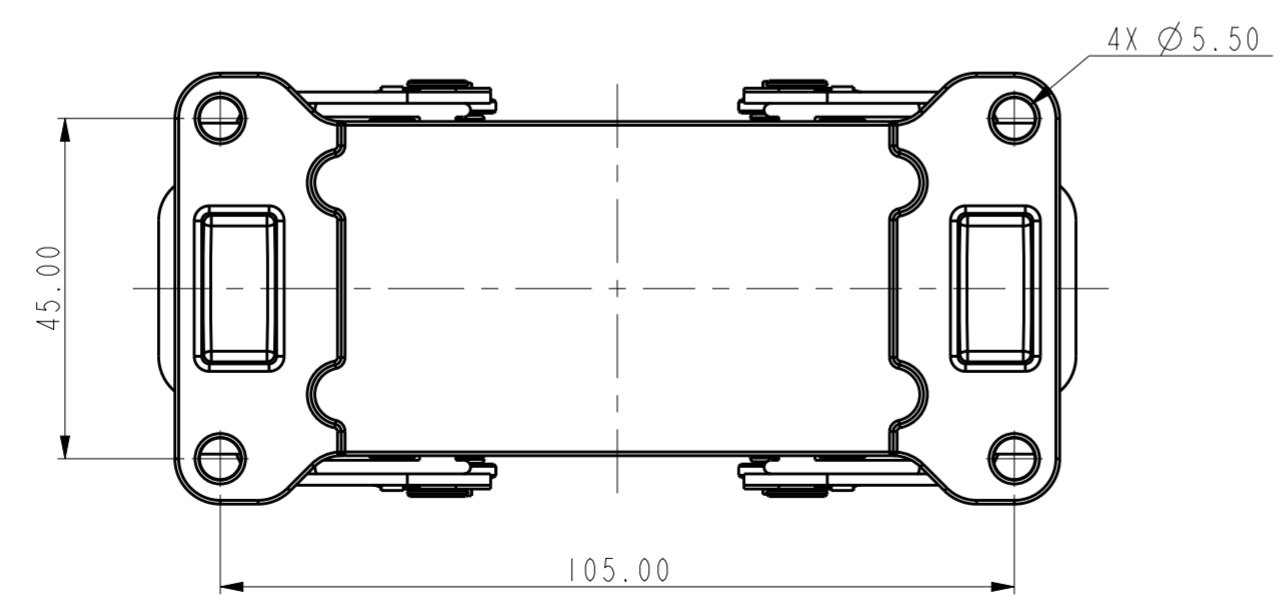
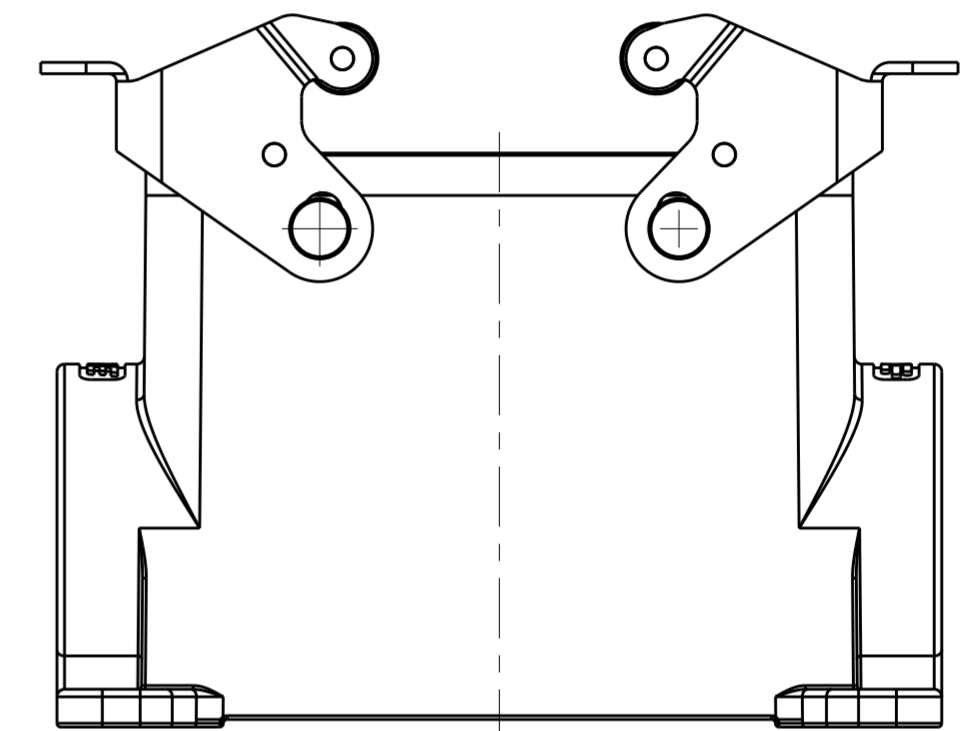
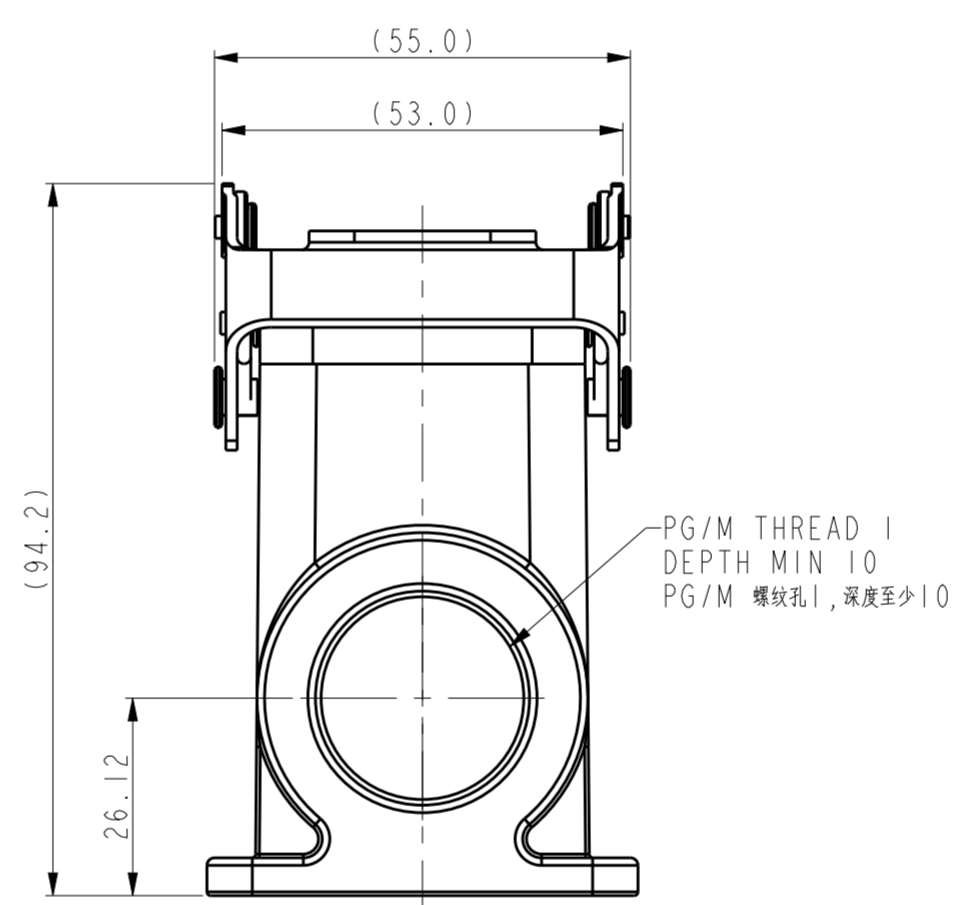
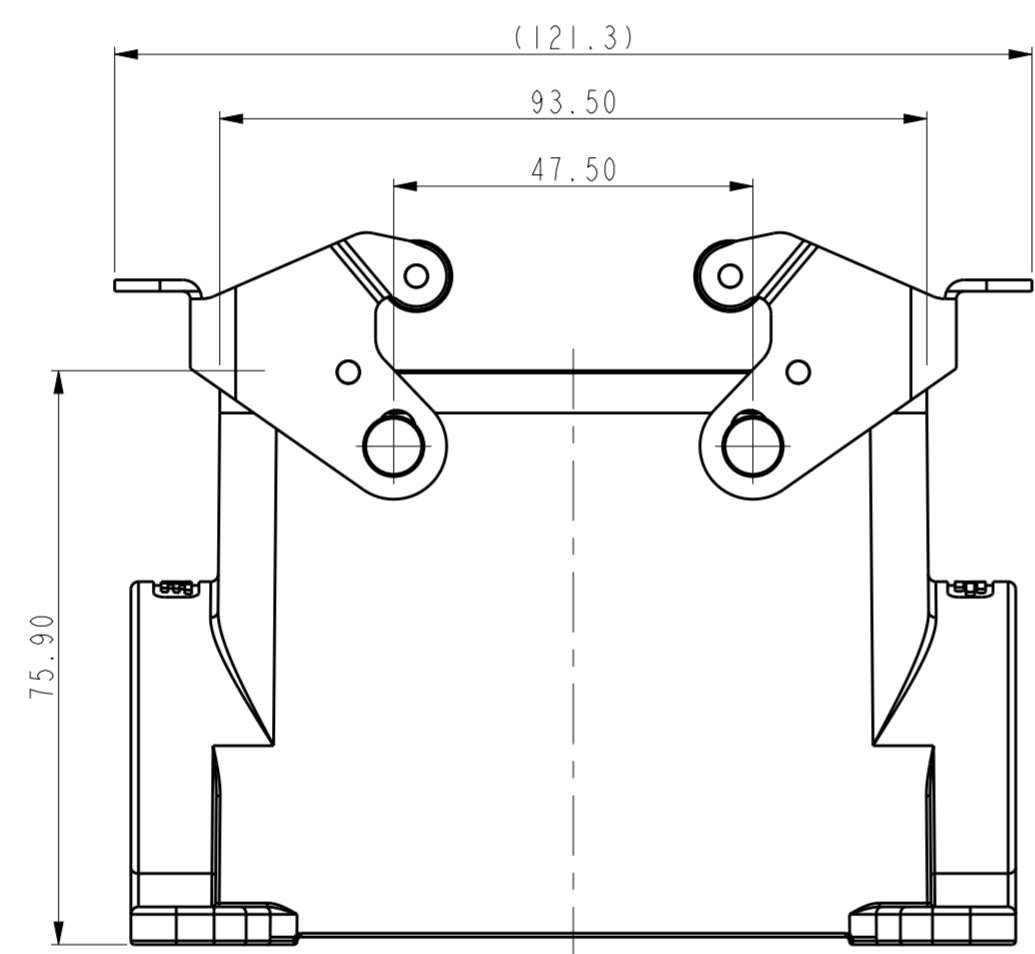
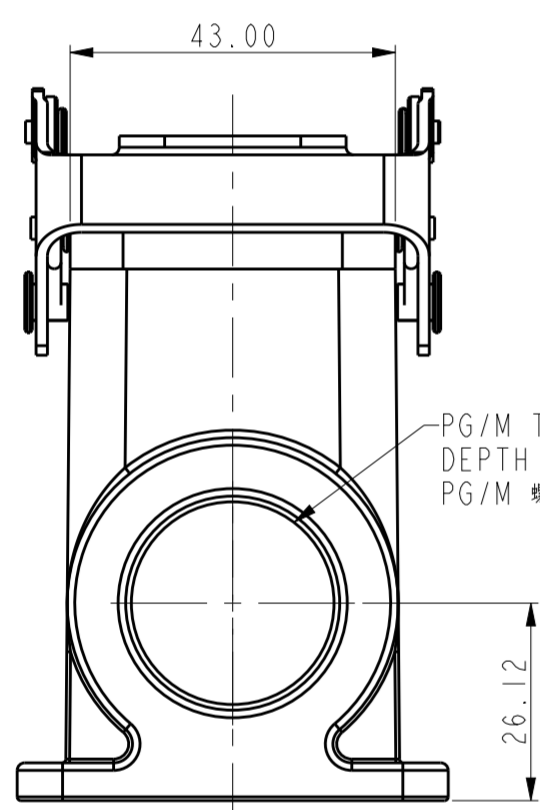
REVISIONS				
P	LTR	DESCRIPTION	DATE	APVD
A		INITIAL RELEASE	22JUN2015	DL CW
AI		ECR-17-018760	29DEC2017	CH CW



SCALE 1:2

NOTES:  
 1. TECHNICAL CHARACTERISTICS:  
 HOUSING MATERIAL: DIE CAST ALUMINIUM ALLOY  
 SURFACE TREATMENT: POWDER COATED, GREY  
 DEGREE OF PROTECTION: IP65 (MATED)

注释:  
 1. 技术参数:  
 主体材料: 铝合金  
 表面处理: 灰色粉末喷涂  
 防护等级: IP65(配合)



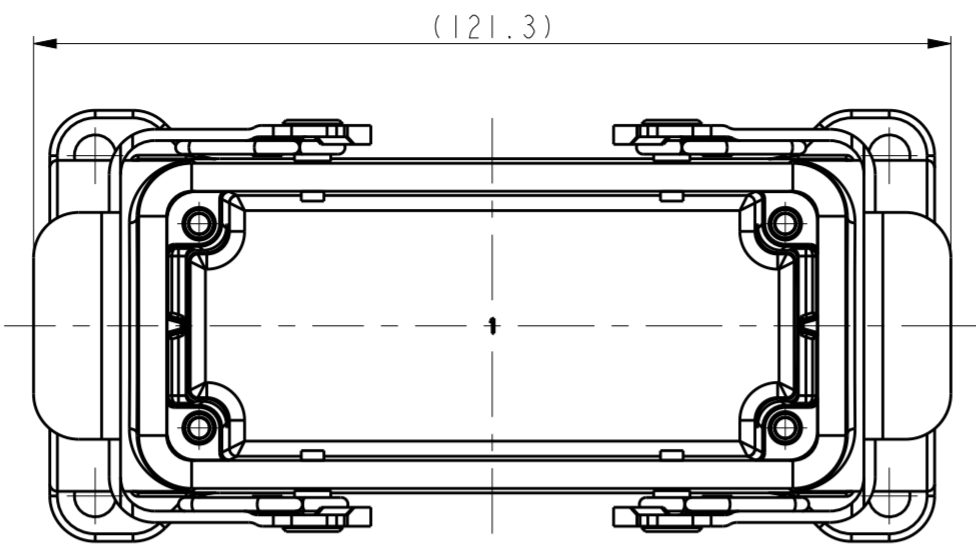
TYPE 1: HIGH CONSTRUCTION + STAINLESS STEEL  
 DOUBLE LOCKING, SIDE ENTRY  
 类型1: 高结构+不锈钢双扣, 侧出

TYPE 2: HIGH CONSTRUCTION + STAINLESS STEEL  
 DOUBLE LOCKING, SIDE ENTRY + BOTTOM CUT OUT,  
 OTHER SPEC REFER TO TYPE 1.  
 类型2: 高结构+不锈钢双扣, 侧出+底部开孔, 其它参照类型1.

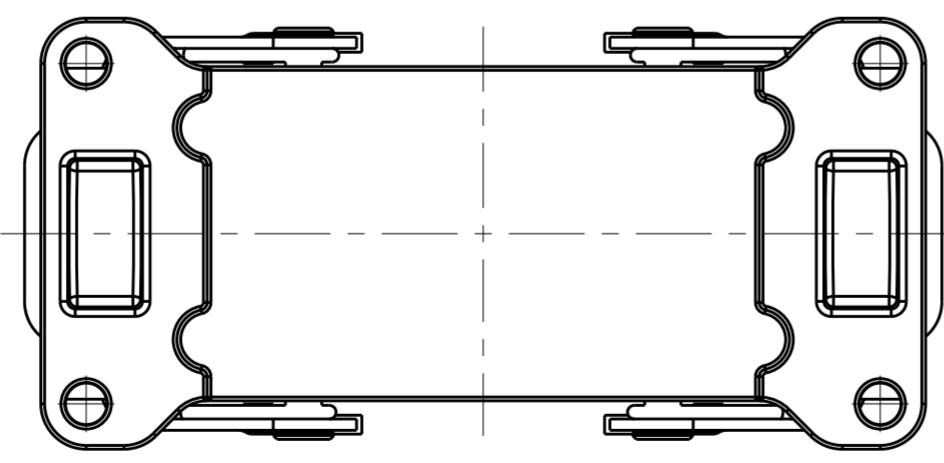
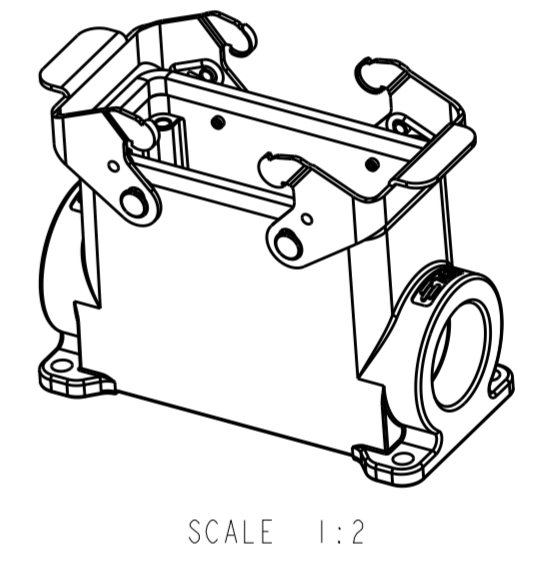
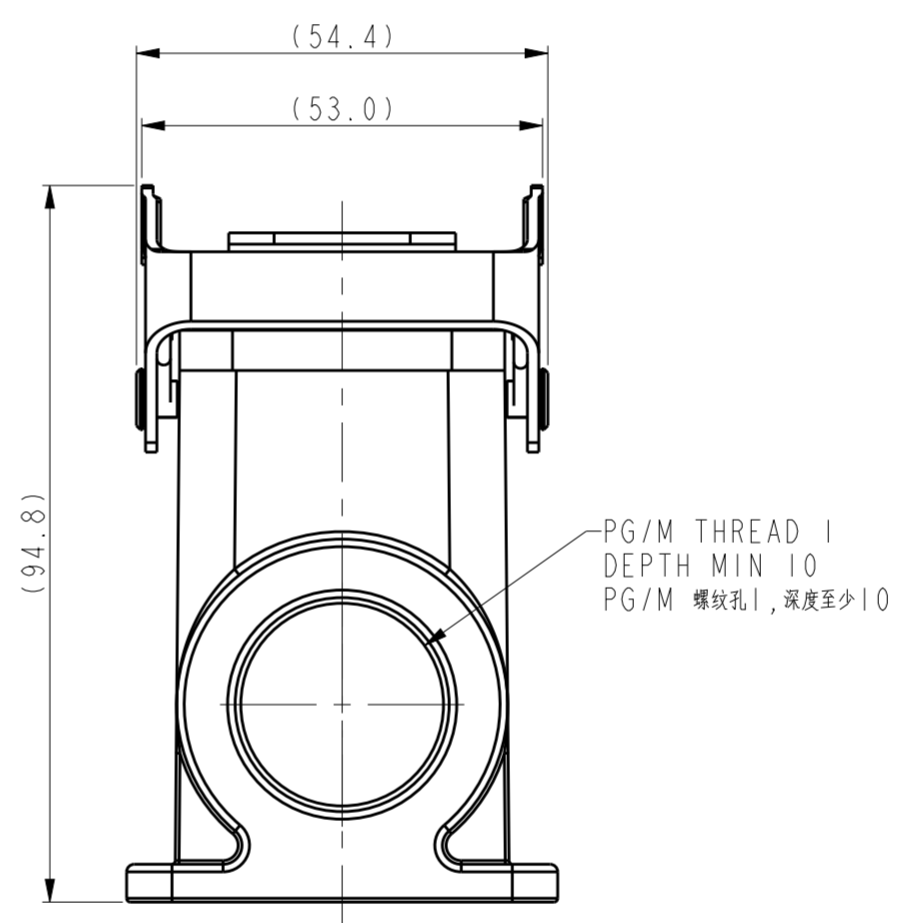
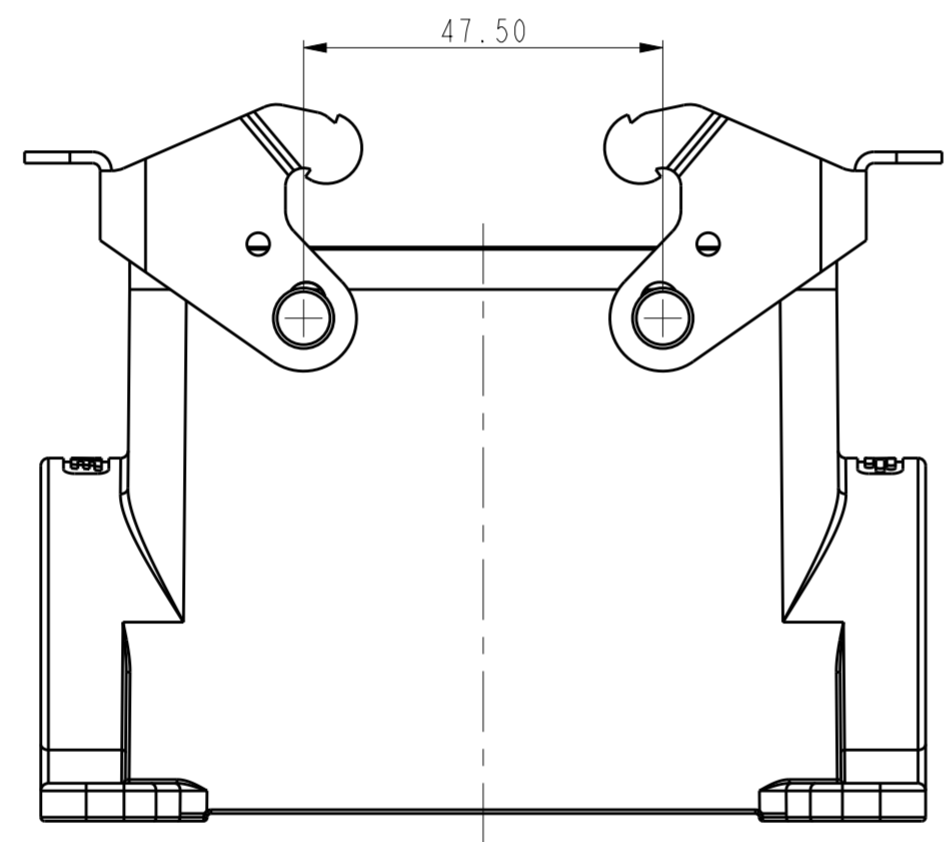
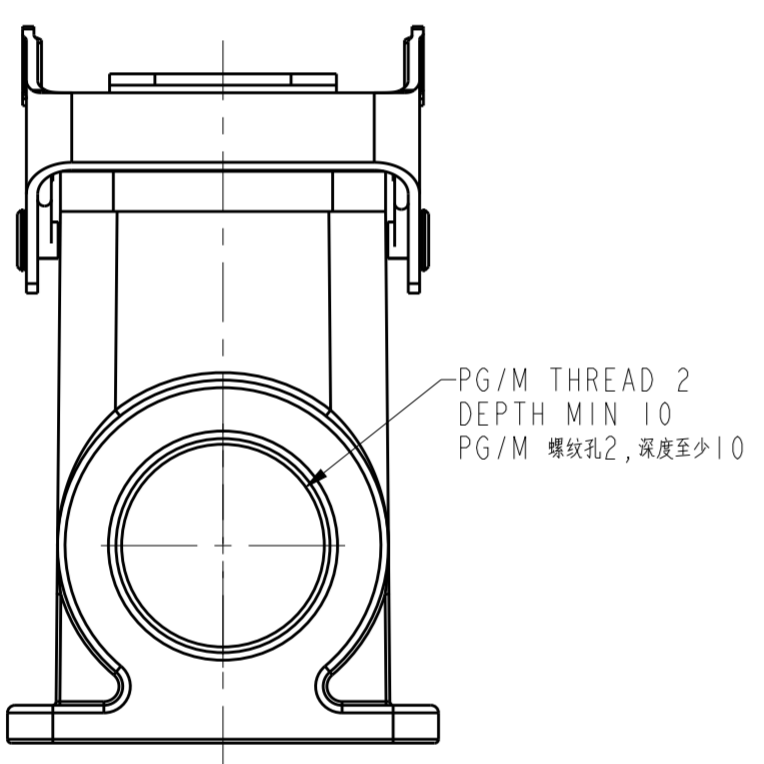
THIS DRAWING IS A CONTROLLED DOCUMENT.		DWN DAVID.LI 22JUN2015	TE Connectivity	
		CHK CHRIS.WANG 22JUN2015		
		APVD XIANG.XU 22JUN2015	NAME HI6B-SGRHS-PG/M	
DIMENSIONS: mm		PRODUCT SPEC 108-137013	SIZE A2	
TOLERANCES UNLESS OTHERWISE SPECIFIED:		APPLICATION SPEC 114-137013	CAGE CODE -	
0 PLC ±		WEIGHT -	DRAWING NO. C-TI47016XXXX000	
1 PLC ±		CUSTOMER DRAWING	RESTRICTED TO -	
2 PLC ±		SCALE 1:1	SHEET 1 OF 3	
3 PLC ±			REV AI	
4 PLC ±				
ANGLES ±				
FINISH -				

THIS DRAWING IS UNPUBLISHED. RELEASED FOR PUBLICATION 20  
 © COPYRIGHT 20 BY - ALL RIGHTS RESERVED.

REVISIONS				
P	LTR	DESCRIPTION	DATE	APVD
-		SEE SHEET 1	-	-



NOTES:  
SEE SHEET 1



TYPE 3: HIGH CONSTRUCTION + METAL DOUBLE LOCKING, SIDE ENTRY, OTHER SPEC REFER TO TYPE 1.  
 类型3: 高结构+彩锌双扣, 侧出, 其它参照类型1.

THIS DRAWING IS A CONTROLLED DOCUMENT.		DWN DAVID.LI 22 JUN 2015	<b>STE</b> TE Connectivity	
		CHK CHRIS.WANG 22 JUN 2015		
		APVD XIANG.XU 22 JUN 2015	NAME HI6B-SGRHS-PG/M	
DIMENSIONS: mm		PRODUCT SPEC 108-137013	SIZE A2	
TOLERANCES UNLESS OTHERWISE SPECIFIED:		APPLICATION SPEC 114-137013	CAGE CODE -	
0 PLC ±	1 PLC ±	WEIGHT -	DRAWING NO. C-TI47016XXXX000	
2 PLC ±	3 PLC ±	RESTRICTED TO -		
4 PLC ±	ANGLES ±	SCALE 1:2 SHEET 2 OF 3 REV A1		
FINISH -	-	CUSTOMER DRAWING		

THIS DRAWING IS UNPUBLISHED. RELEASED FOR PUBLICATION 20  
 © COPYRIGHT 20 BY - ALL RIGHTS RESERVED.

REVISIONS				
P	LTR	DESCRIPTION	DATE	APVD
-		SEE SHEET 1	-	-

NOTES:  
SEE SHEET 1

PART NUMBER 料号	PART DESCRIPTION 描述	PG/M THREAD 1 PG/M 螺纹孔1	PG/M THREAD 2 PG/M 螺纹孔2	TYPE 类型
TI470162232-000	HI6B-SGRH-2M32 HI6B HOUSING, SURFACE MOUNTED, METAL DOUBLE LOCKING, 2M32, HIGH CONSTRUCTION, POWDER COATED, GREY HI6B外壳, 表面安装, 彩钢双扣, 2M32, 高结构, 灰色粉末喷涂	M32	M32	TYPE 3 类型 3
TI470162229-000	HI6B-SGRH-2PG29 HI6B HOUSING, SURFACE MOUNTED, METAL DOUBLE LOCKING, 2PG29, HIGH CONSTRUCTION, POWDER COATED, GREY HI6B外壳, 表面安装, 彩钢双扣, 2PG29, 高结构, 灰色粉末喷涂	PG29	PG29	
TI470162225-000	HI6B-SGRH-2M25 HI6B HOUSING, SURFACE MOUNTED, METAL DOUBLE LOCKING, 2M25, HIGH CONSTRUCTION, POWDER COATED, GREY HI6B外壳, 表面安装, 彩钢双扣, 2M25, 高结构, 灰色粉末喷涂	M25	M25	
TI470162221-000	HI6B-SGRH-2PG21 HI6B HOUSING, SURFACE MOUNTED, METAL DOUBLE LOCKING, 2PG21, HIGH CONSTRUCTION, POWDER COATED, GREY HI6B外壳, 表面安装, 彩钢双扣, 2PG21, 高结构, 灰色粉末喷涂	PG21	PG21	
TI470162132-000	HI6B-SGRH-M32 HI6B HOUSING, SURFACE MOUNTED, METAL DOUBLE LOCKING, M32, HIGH CONSTRUCTION, POWDER COATED, GREY HI6B外壳, 表面安装, 彩钢双扣, M32, 高结构, 灰色粉末喷涂	M32	-	
TI470162129-000	HI6B-SGRH-PG29 HI6B HOUSING, SURFACE MOUNTED, METAL DOUBLE LOCKING, PG29, HIGH CONSTRUCTION, POWDER COATED, GREY HI6B外壳, 表面安装, 彩钢双扣, PG29, 高结构, 灰色粉末喷涂	PG29	-	
TI470162125-000	HI6B-SGRH-M25 HI6B HOUSING, SURFACE MOUNTED, METAL DOUBLE LOCKING, M25, HIGH CONSTRUCTION, POWDER COATED, GREY HI6B外壳, 表面安装, 彩钢双扣, M25, 高结构, 灰色粉末喷涂	M25	-	
TI470162121-000	HI6B-SGRH-PG21 HI6B HOUSING, SURFACE MOUNTED, METAL DOUBLE LOCKING, PG21, HIGH CONSTRUCTION, POWDER COATED, GREY HI6B外壳, 表面安装, 彩钢双扣, PG21, 高结构, 灰色粉末喷涂	PG21	-	TYPE 2 类型2
TI470165121-000	HI6B-SGRHS-PG21 HI6B HOUSING, SURFACE MOUNTED, STAINLESS STEEL DOUBLE LOCKING, PG21, HIGH CONSTRUCTION, MILL ON BOTTOM, POWDER COATED, GREY HI6B外壳, 表面安装, 不锈钢双扣, PG21, 高结构, 底部铣槽, 灰色粉末喷涂	PG21	-	
TI470161232-000	HI6B-SGRHS-2M32 HI6B HOUSING, SURFACE MOUNTED, STAINLESS STEEL DOUBLE LOCKING, 2M32, HIGH CONSTRUCTION, POWDER COATED, GREY HI6B外壳, 表面安装, 不锈钢双扣, 2M32, 高结构, 灰色粉末喷涂	M32	M32	TYPE 1 类型1
TI470161229-000	HI6B-SGRHS-2PG29 HI6B HOUSING, SURFACE MOUNTED, STAINLESS STEEL DOUBLE LOCKING, 2PG29, HIGH CONSTRUCTION, POWDER COATED, GREY HI6B外壳, 表面安装, 不锈钢双扣, 2PG29, 高结构, 灰色粉末喷涂	PG29	PG29	
TI470161221-000	HI6B-SGRHS-2PG21 HI6B HOUSING, SURFACE MOUNTED, STAINLESS STEEL DOUBLE LOCKING, 2PG21, HIGH CONSTRUCTION, POWDER COATED, GREY HI6B外壳, 表面安装, 不锈钢双扣, 2PG21, 高结构, 灰色粉末喷涂	PG21	PG21	
TI470161140-000	HI6B-SGRHS-M40 HI6B HOUSING, SURFACE MOUNTED, STAINLESS STEEL DOUBLE LOCKING, M40, HIGH CONSTRUCTION, POWDER COATED, GREY HI6B外壳, 表面安装, 不锈钢双扣, M40, 高结构, 灰色粉末喷涂	M40	-	
TI470161132-000	HI6B-SGRHS-M32 HI6B HOUSING, SURFACE MOUNTED, STAINLESS STEEL DOUBLE LOCKING, M32, HIGH CONSTRUCTION, POWDER COATED, GREY HI6B外壳, 表面安装, 不锈钢双扣, M32, 高结构, 灰色粉末喷涂	M32	-	
TI470161129-000	HI6B-SGRHS-PG29 HI6B HOUSING, SURFACE MOUNTED, STAINLESS STEEL DOUBLE LOCKING, PG29, HIGH CONSTRUCTION, POWDER COATED, GREY HI6B外壳, 表面安装, 不锈钢双扣, PG29, 高结构, 灰色粉末喷涂	PG29	-	
TI470161121-000	HI6B-SGRHS-PG21 HI6B HOUSING, SURFACE MOUNTED, STAINLESS STEEL DOUBLE LOCKING, PG21, HIGH CONSTRUCTION, POWDER COATED, GREY HI6B外壳, 表面安装, 不锈钢双扣, PG21, 高结构, 灰色粉末喷涂	PG21	-	
TI470160000-000	HI6B-SGRHS-T HI6B HOUSING, SURFACE MOUNTED, STAINLESS STEEL DOUBLE LOCKING, NO ENTRY, HIGH CONSTRUCTION, POWDER COATED, GREY HI6B外壳, 表面安装, 不锈钢双扣, 不开孔, 高结构, 灰色粉末喷涂	-	-	

THIS DRAWING IS A CONTROLLED DOCUMENT.		DWN DAVID.LI 22 JUN 2015	<b>STE</b> TE Connectivity	
		CHK CHRIS.WANG 22 JUN 2015		
		APVD XIANG.XU 22 JUN 2015	NAME HI6B-SGRHS-PG/M	
DIMENSIONS: mm		PRODUCT SPEC 108-137013	SIZE A2	
TOLERANCES UNLESS OTHERWISE SPECIFIED:		APPLICATION SPEC 114-137013	CAGE CODE -	
0 PLC ±-		WEIGHT -	DRAWING NO. C-TI47016XXXX000	
1 PLC ±-		RESTRICTED TO -		
2 PLC ±-		SCALE 1:1		
3 PLC ±-		SHEET 3 OF 3		
4 PLC ±-		REV A1		
ANGLES ±-		CUSTOMER DRAWING		
FINISH -				

## X-ON Electronics

Largest Supplier of Electrical and Electronic Components

*Click to view similar products for [Heavy Duty Power Connectors](#) category:*

*Click to view products by [TE Connectivity](#) manufacturer:*

Other Similar products are found below :

[1424439](#) [1424438](#) [09330062652](#) [2-8675P1](#) [605601-1](#) [6340G1](#) [6341G1](#) [6360G1](#) [6373G1](#) [6374g2](#) [6396G1](#) [647757-1](#) [66394-4](#) [6643411-1](#)  
[6646058-2](#) [6646137-1](#) [6646138-1](#) [6646348-1](#) [6646479-1](#) [6646608-1](#) [6646786-1](#) [6646940-1](#) [6651091-1](#) [6651525-1](#) [6651529-1](#) [6651778-1](#)  
[6651788-1](#) [696465-1](#) [696475-1](#) [73000005059](#) [73000005349](#) [73000005642](#) [73080255059](#) [73080965046](#) [765-15-0080A](#) [765-16-0080B](#)  
[789.700-44](#) [789.700-54](#) [80-1010](#) [80-9](#) [827381-1](#) [829992-1](#) [902-77-02113](#) [PL00U-301-10D10](#) [PM103MOOLOO](#) [PM16S1620S32-50](#)  
[PM212MOOLOO](#) [PM309FOOLOO](#) [PM324FOOLCH](#) [PMHPAF11S03](#)