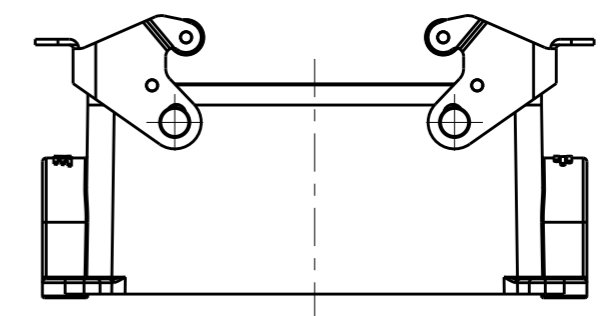
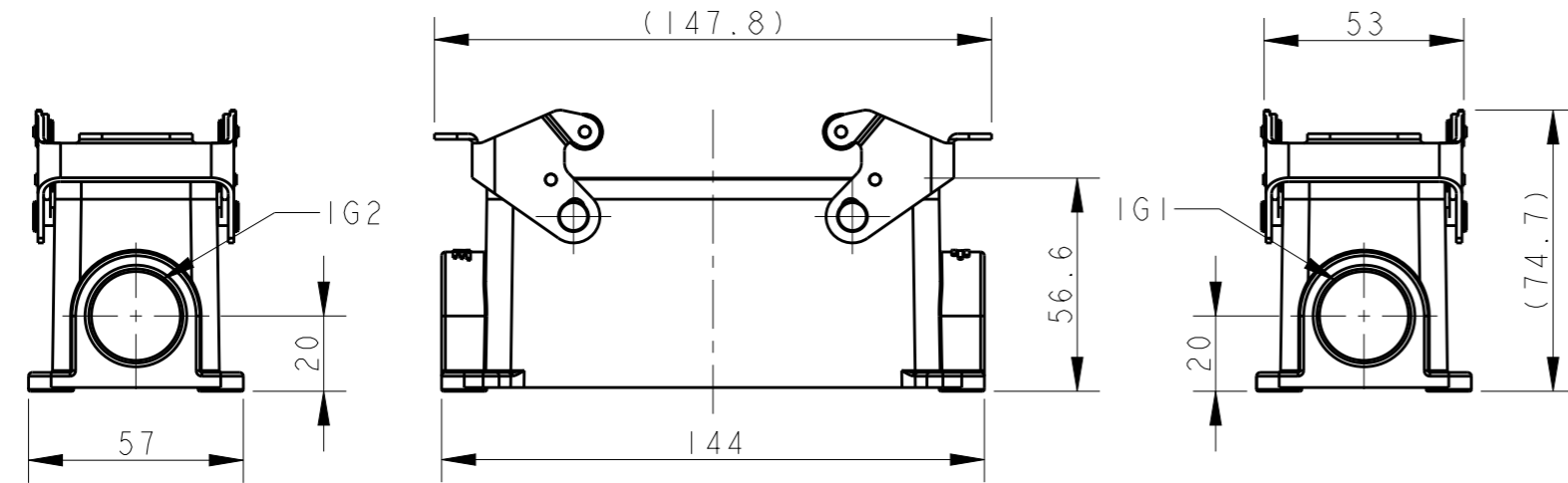
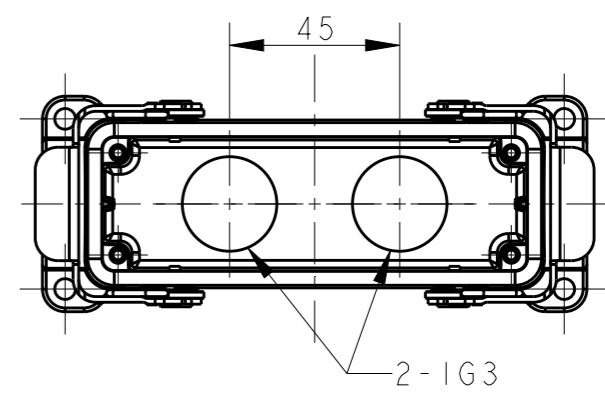
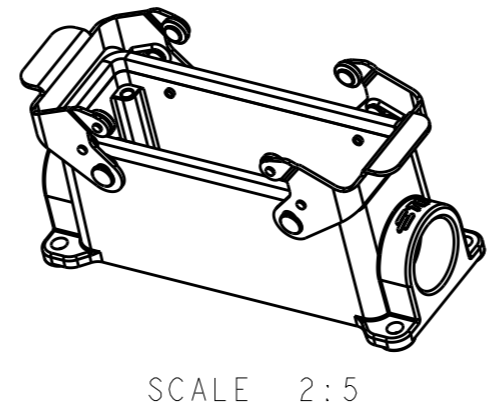
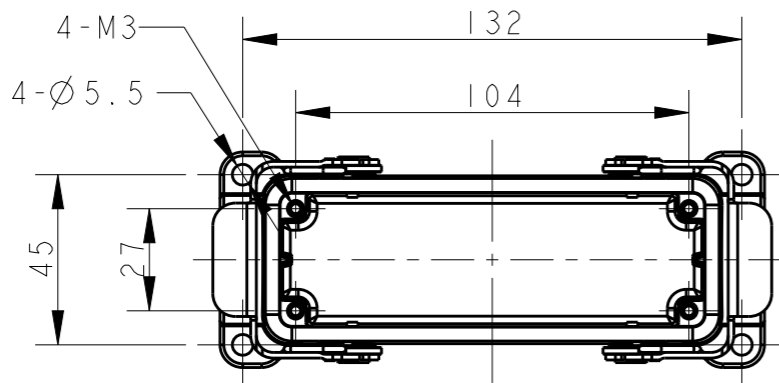


THIS DRAWING IS UNPUBLISHED. RELEASED FOR PUBLICATION 20
 © COPYRIGHT 20 BY - ALL RIGHTS RESERVED.

REVISIONS					
P	LTR	DESCRIPTION	DATE	DWN	APVD
	A	INITIAL RELEASE	16JUN2015	DL	CW




TYPE 1: BODY + STAINLESS STEEL LOCKING SIDE ENTRY

TYPE 2: BODY + STAINLESS STEEL LOCKING BOTTOM ENTRY
 OTHER SPEC REFER TO TYPE 1

TI440241121-000	TYPE 1	H24B-SGRS-PG21	PG21	-	-
TI440241125-000		H24B-SGRS-M25	M25	-	-
TI440241221-000		H24B-SGRS-2PG21	PG21	PG21	-
TI440241225-000		H24B-SGRS-2M25	M25	M25	-
TI440245225-000	TYPE 2	H24B-SGRS-T2M25	-	-	M25
ASSEMBLY PART NUMBER	TYPE	ASSEMBLY PART DESCRIPTION	IG1	IG2	IG3

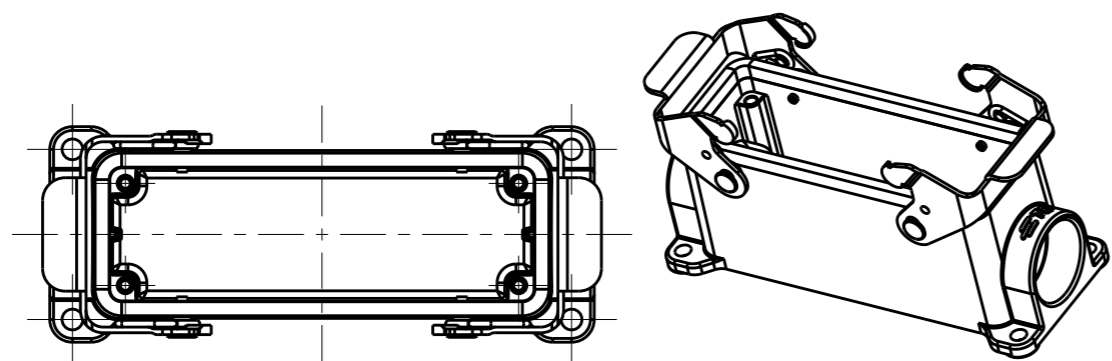
NOTES:
 1. TECHNICAL CHARACTERISTICS:
 BODY MATERIAL: DIE CAST ALUMINIUM ALLOY
 SURFACE TREATMENT: POWDER-COATED, GRAY
 OPERATION TEMPERATURE: -40-+125°C
 DEGREE OF PROTECTION: IP65 (MATED)

注释:
 1. 技术参数:
 主体材料: 铝合金
 表面处理: 粉末喷涂, 灰色
 工作温度: -40-+125°C
 防护等级: IP65(配合)

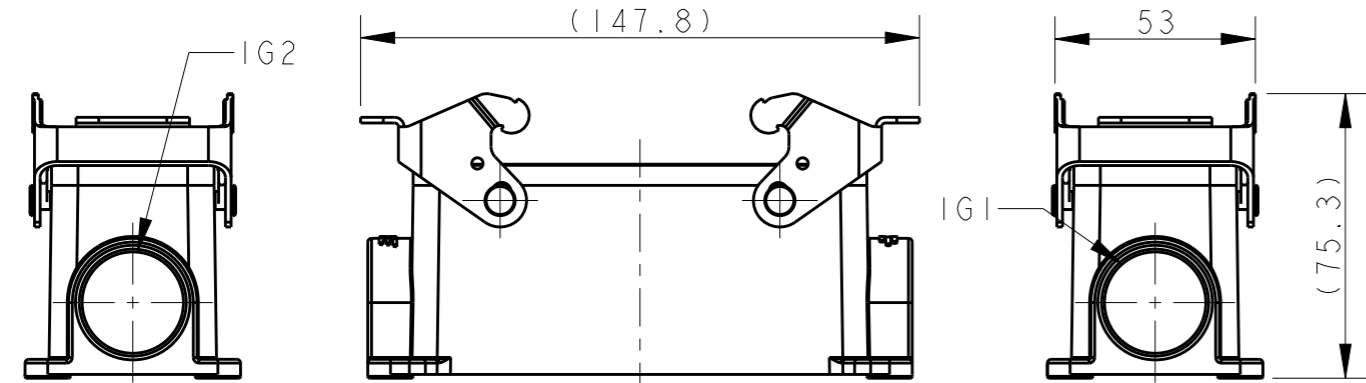
THIS DRAWING IS A CONTROLLED DOCUMENT.		DWN 16JUN2015 DAVID LI	 TE Connectivity NAME H24B-SGR/SGRS-PG/M			
DIMENSIONS: mm		CHK 16JUN2015 CHRIS WANG				
TOLERANCES UNLESS OTHERWISE SPECIFIED:		APVD 16JUN2015 XU XIANG				
0 PLC ±- 1 PLC ±- 2 PLC ±- 3 PLC ±- 4 PLC ±- ANGLES ±-		PRODUCT SPEC 108-137013				
MATERIAL	FINISH	APPLICATION SPEC 114-137013	SIZE A3	CAGE CODE -	DRAWING NO ©-TI44024XXXXX00	RESTRICTED TO -
CUSTOMER DRAWING		WEIGHT -	SCALE 1:2	SHEET 1 OF 2	REV A	

THIS DRAWING IS UNPUBLISHED. RELEASED FOR PUBLICATION 20
 © COPYRIGHT 20 BY - ALL RIGHTS RESERVED.

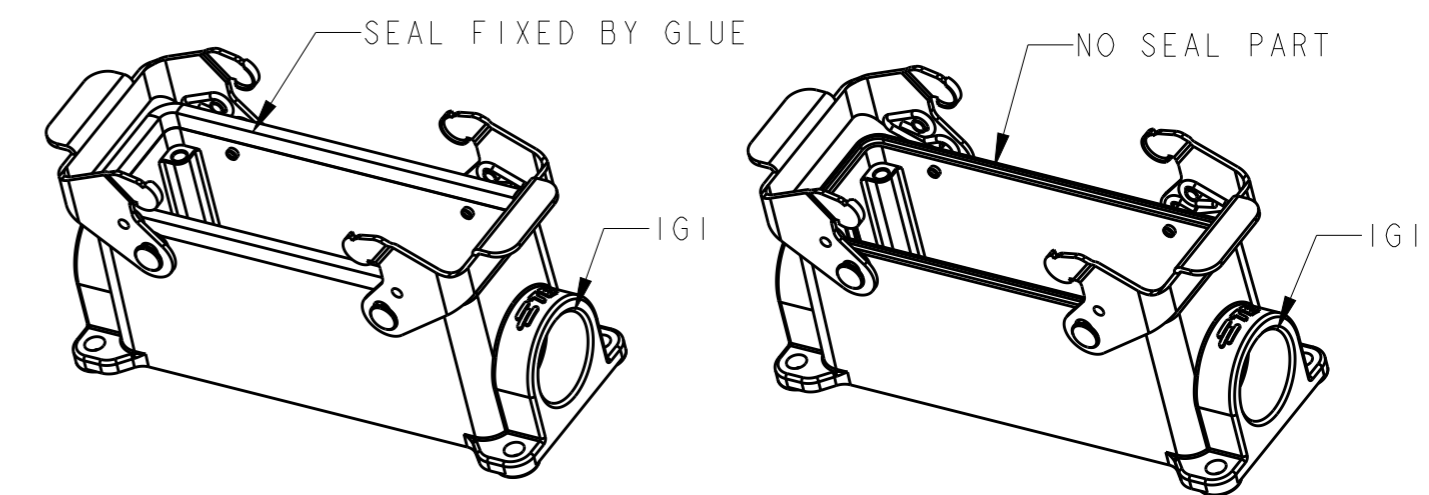
REVISIONS					
P	LTR	DESCRIPTION	DATE	DWN	APVD
-	-	SEE SHEET 1	-	-	-



SCALE 2:5



TYPE 3: BODY + STEEL LOCKING
SIDE ENTRY
OTHER SPEC REFER TO TYPE 1

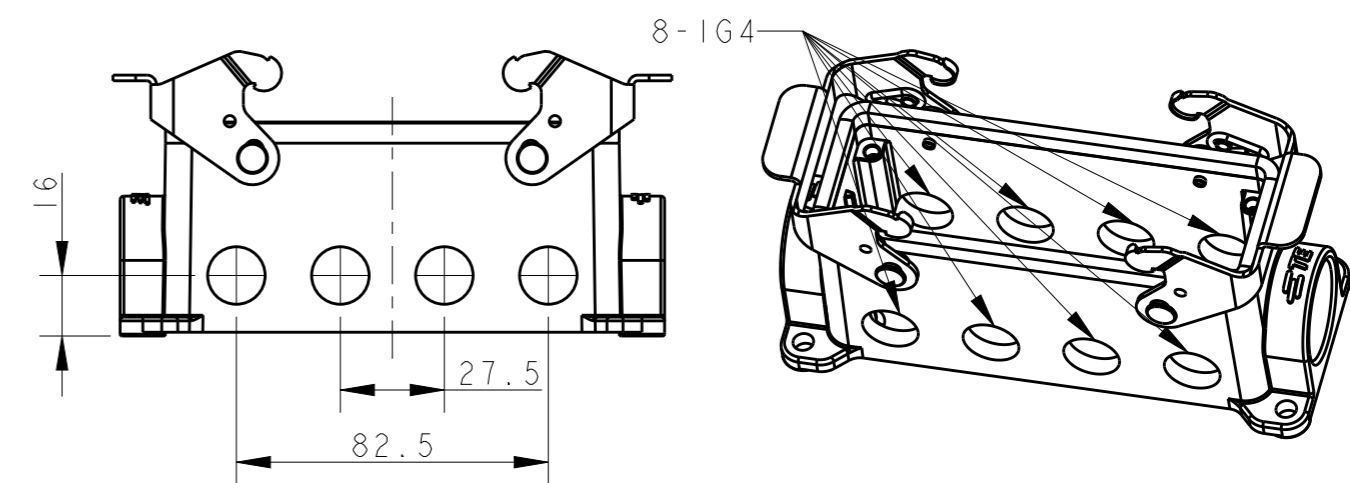


TYPE 4: BODY + STEEL LOCKING
SIDE ENTRY
OTHER SPEC REFER TO TYPE 3


TYPE 5: BODY + STEEL LOCKING
SIDE ENTRY
OTHER SPEC REFER TO TYPE 3

T1440242121-000	TYPE 3	H24B-SGR-PG21	PG21	-	-	
T1440242125-000		H24B-SGR-M25	M25	-	-	
T1440242221-000		H24B-SGR-2PG21	PG21	PG21	-	
T1440242225-000		H24B-SGR-2M25	M25	M25	-	
T1440242521-000		H24B-SGR-M25/PG21	M25	PG21	-	
T1440242125-100	TYPE 4	H24B-SGR-M25	M25	-	-	SEAL FIXED BY GLUE
T1440242125-200	TYPE 5	H24B-SGR-M25	M25	-	-	NO SEAL PART
T1440242809-000	TYPE 6	H24B-SGR-8PG9	-	-	PG9	
ASSEMBLY PART NUMBER	TYPE	ASSEMBLY PART DESCRIPTION	IG1	IG2	IG4	REMARK

TABLE: TYPE DESCRIPTION



TYPE 6: BODY + STEEL LOCKING
FRONT & BACK ENTRY
OTHER SPEC REFER TO TYPE 3

THIS DRAWING IS A CONTROLLED DOCUMENT.		DWN 16JUN2015 DAVID LI	 TE Connectivity
DIMENSIONS: mm		CHK 16JUN2015 CHRIS WANG	
TOLERANCES UNLESS OTHERWISE SPECIFIED:		APVD 16JUN2015 XU XIANG	
0 PLC ±- 1 PLC ±- 2 PLC ±- 3 PLC ±- 4 PLC ±- ANGLES ±-		PRODUCT SPEC 108-137013	
MATERIAL		APPLICATION SPEC 114-137013	NAME H24B-SGR/SGRS-PG/M
FINISH		WEIGHT	SIZE A3
		CUSTOMER DRAWING	CAGE CODE -
			DRAWING NO. ©-T144024XXXXX00
			RESTRICTED TO -
			SCALE 1:2 SHEET 2 OF 2 REV A

X-ON Electronics

Largest Supplier of Electrical and Electronic Components

Click to view similar products for [Heavy Duty Power Connectors](#) category:

Click to view products by [TE Connectivity](#) manufacturer:

Other Similar products are found below :

[1424439](#) [1424438](#) [09330062652](#) [2-8675P1](#) [605601-1](#) [6340G1](#) [6341G1](#) [6360G1](#) [6373G1](#) [6374g2](#) [6396G1](#) [647757-1](#) [66394-4](#) [6643411-1](#)
[6646058-2](#) [6646137-1](#) [6646138-1](#) [6646348-1](#) [6646479-1](#) [6646608-1](#) [6646786-1](#) [6646940-1](#) [6651091-1](#) [6651525-1](#) [6651529-1](#) [6651778-1](#)
[6651788-1](#) [696465-1](#) [696475-1](#) [73000005059](#) [73000005349](#) [73000005642](#) [73080255059](#) [73080965046](#) [765-15-0080A](#) [765-16-0080B](#)
[789.700-44](#) [789.700-54](#) [80-1010](#) [80-9](#) [827381-1](#) [829992-1](#) [902-77-02113](#) [PL00U-301-10D10](#) [PM103MOOLOO](#) [PM16S1620S32-50](#)
[PM212MOOLOO](#) [PM309FOOLOO](#) [PM324FOOLCH](#) [PMHPAF11S03](#)