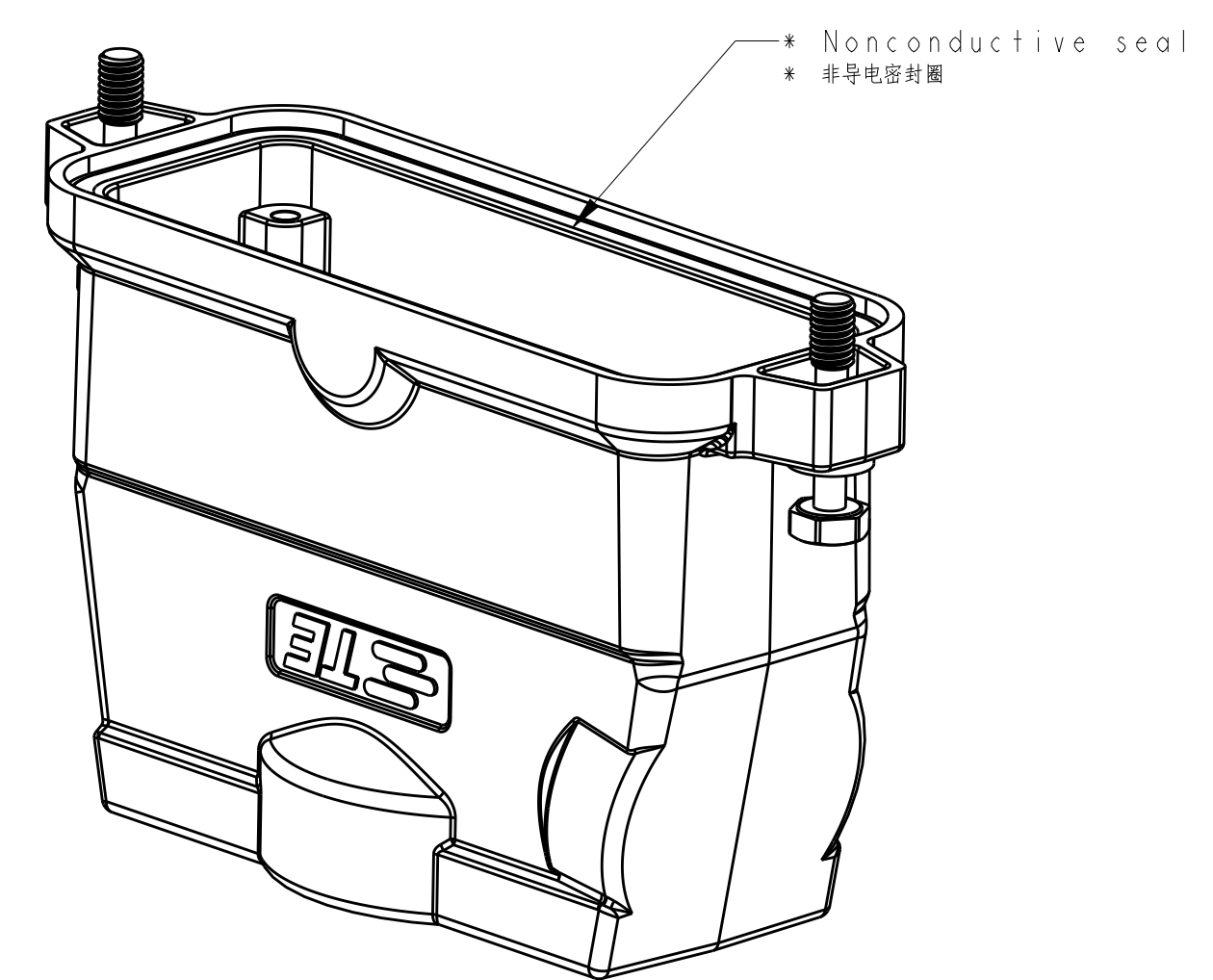
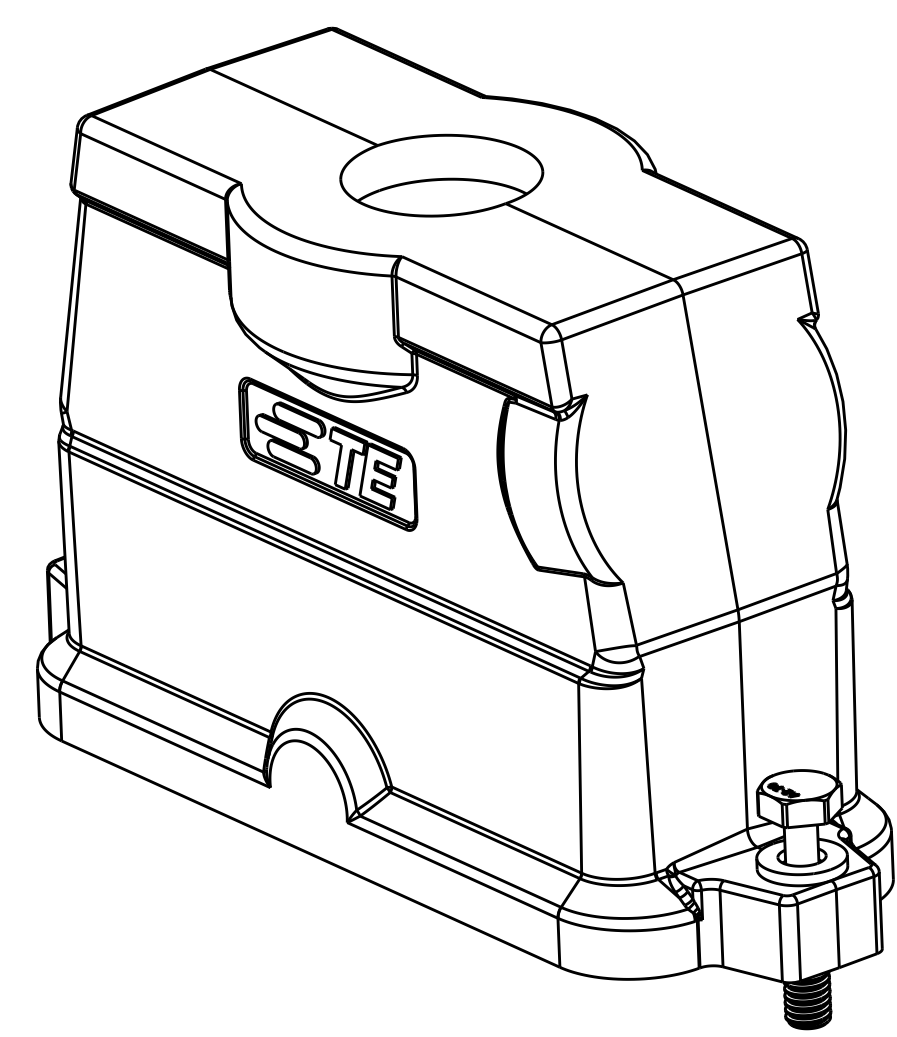
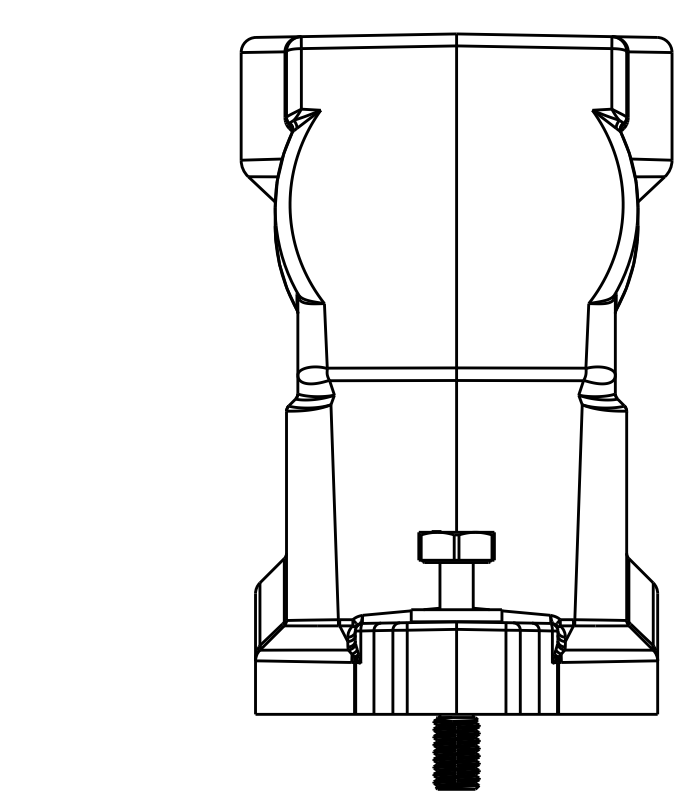
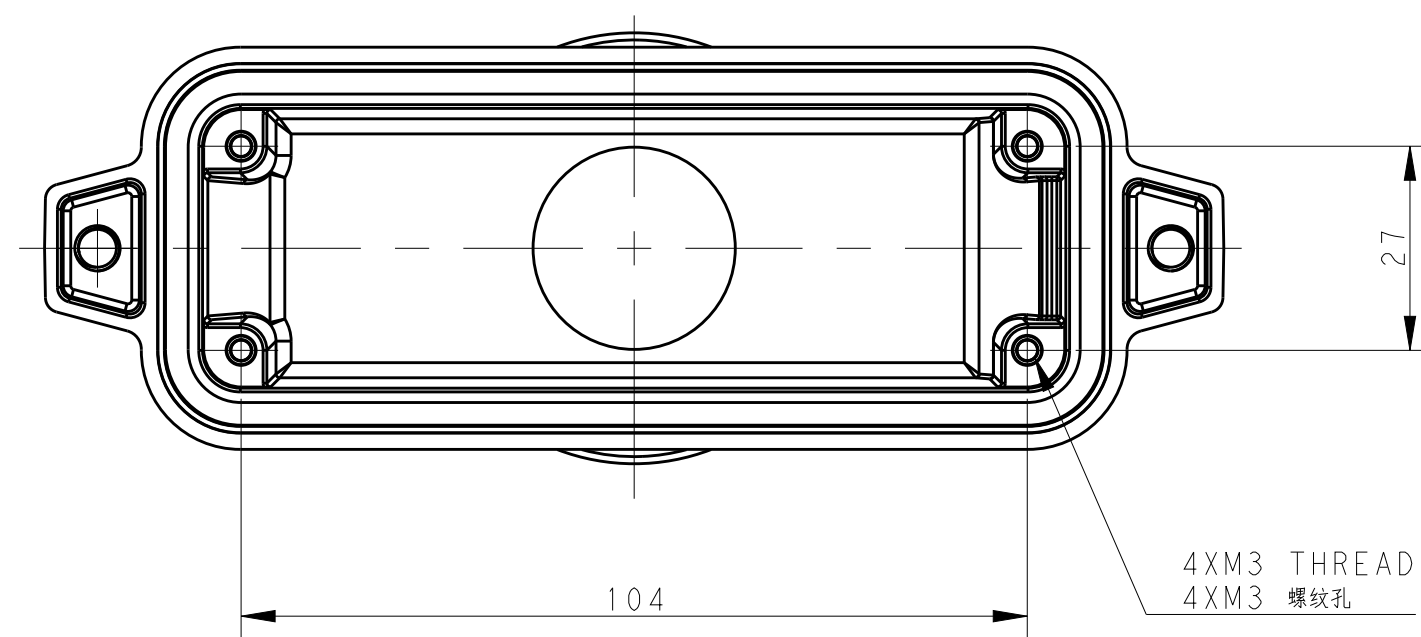
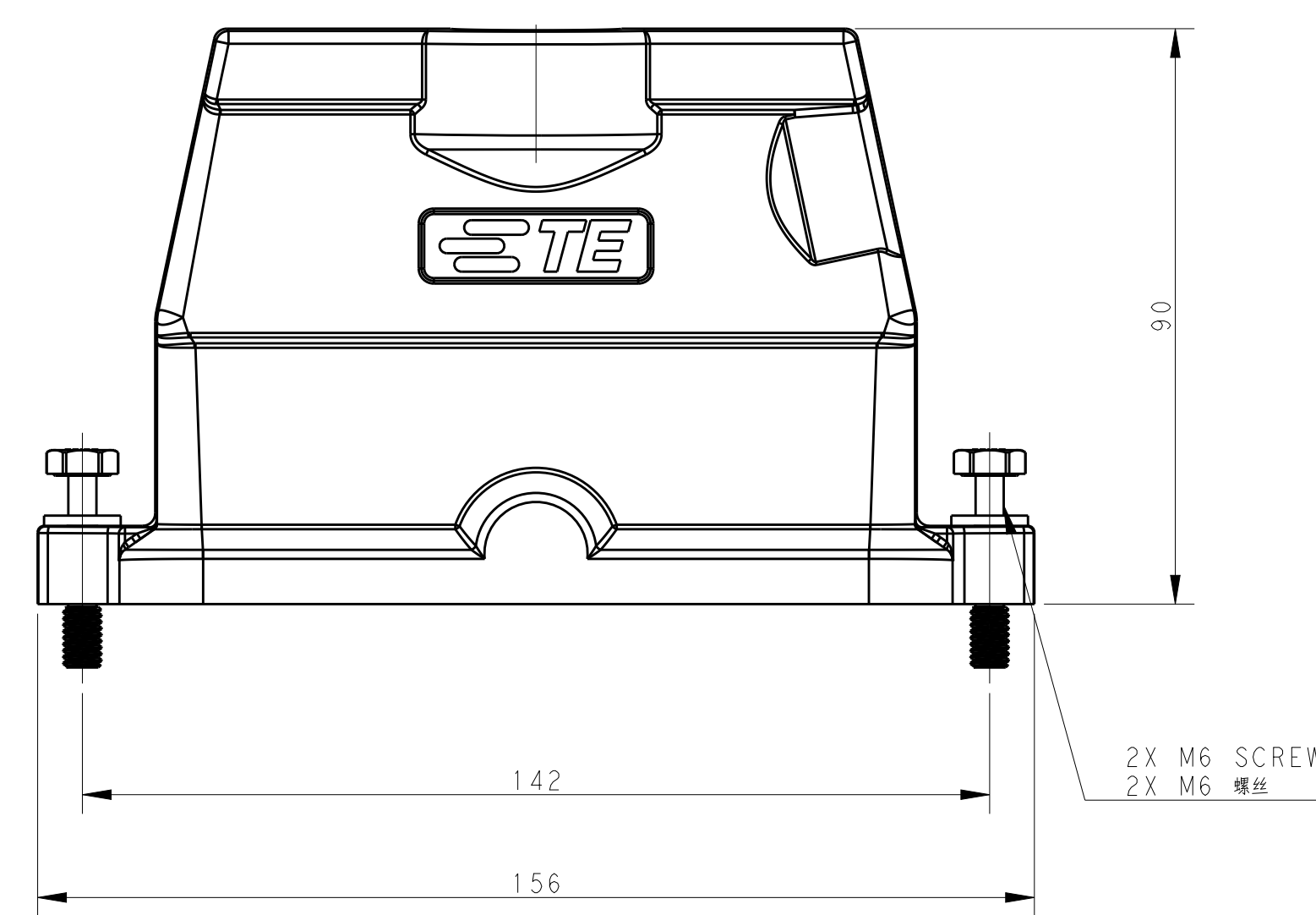
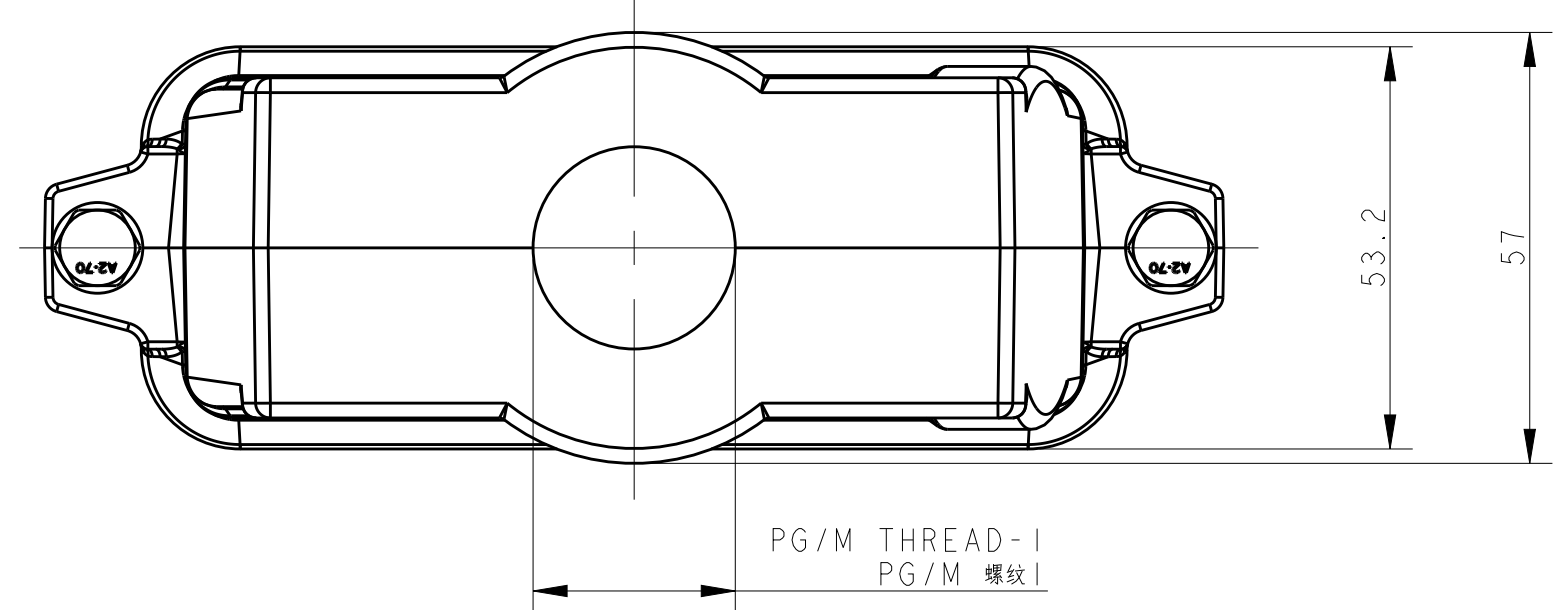


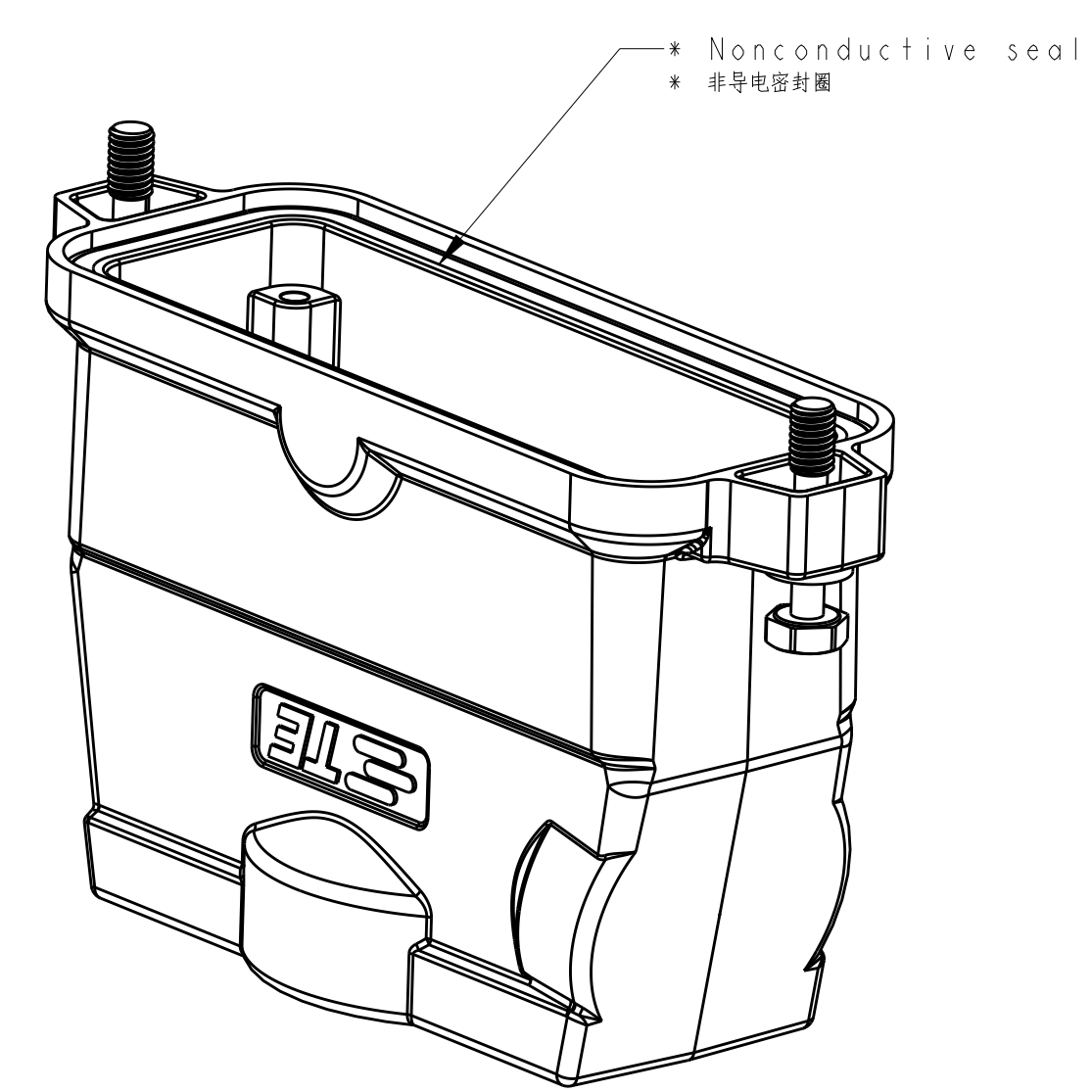
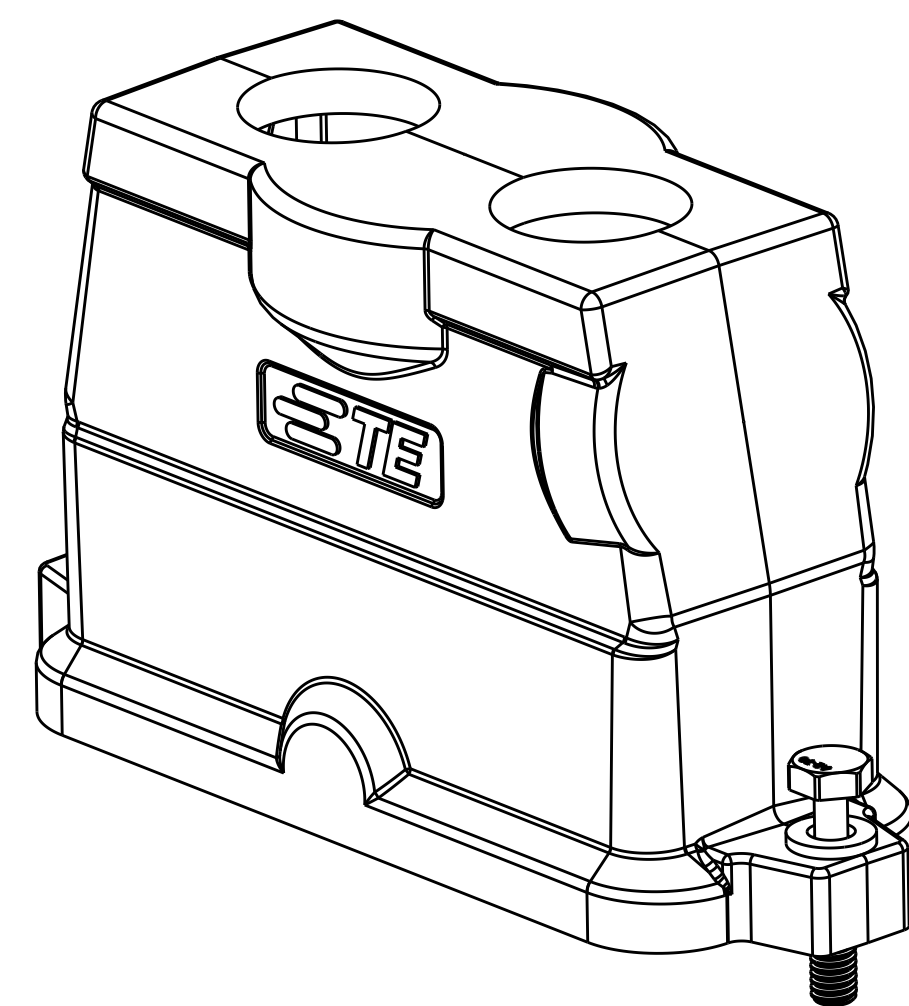
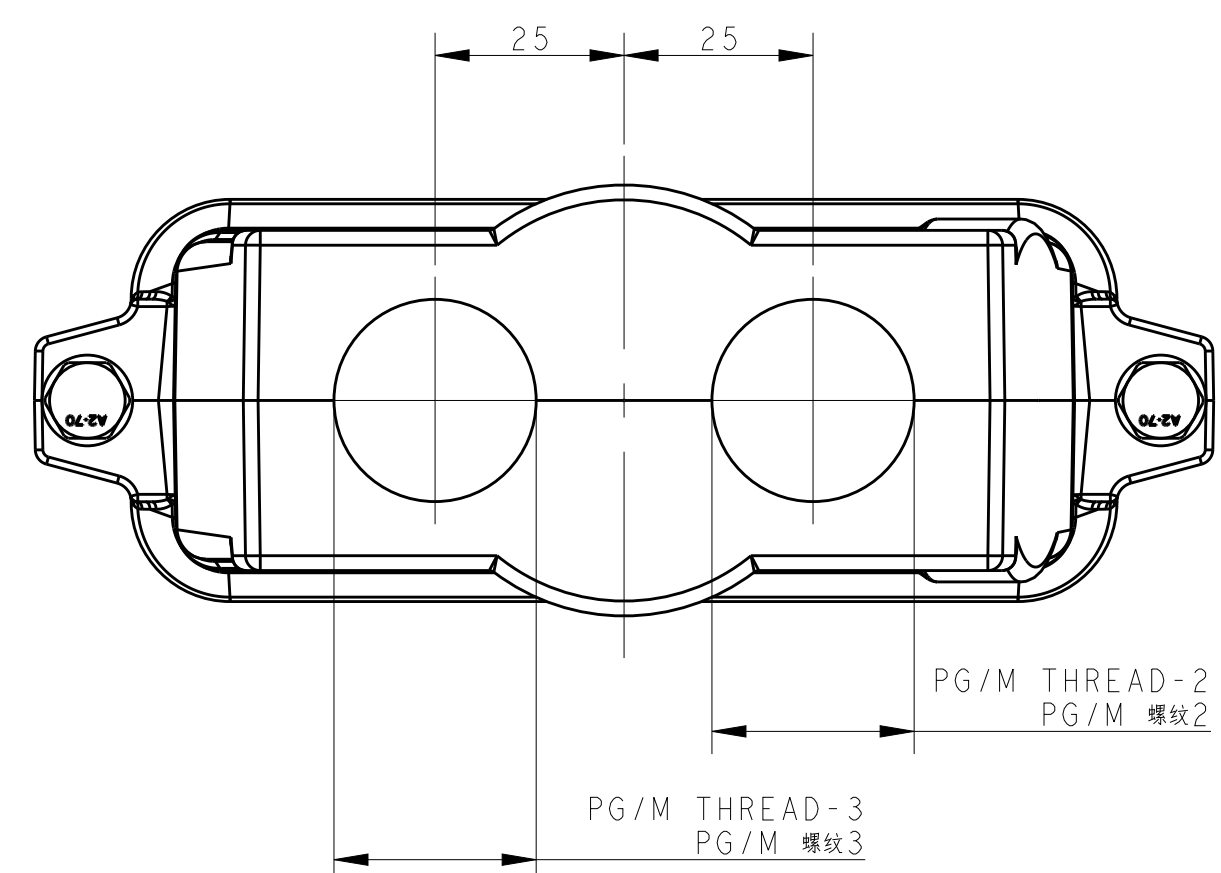
### TYPE 1 类型 1

Single PG/M thread & With nonconductive seal  
 单PG/M螺纹孔人型非导电密封圈



### TYPE 2 类型 2

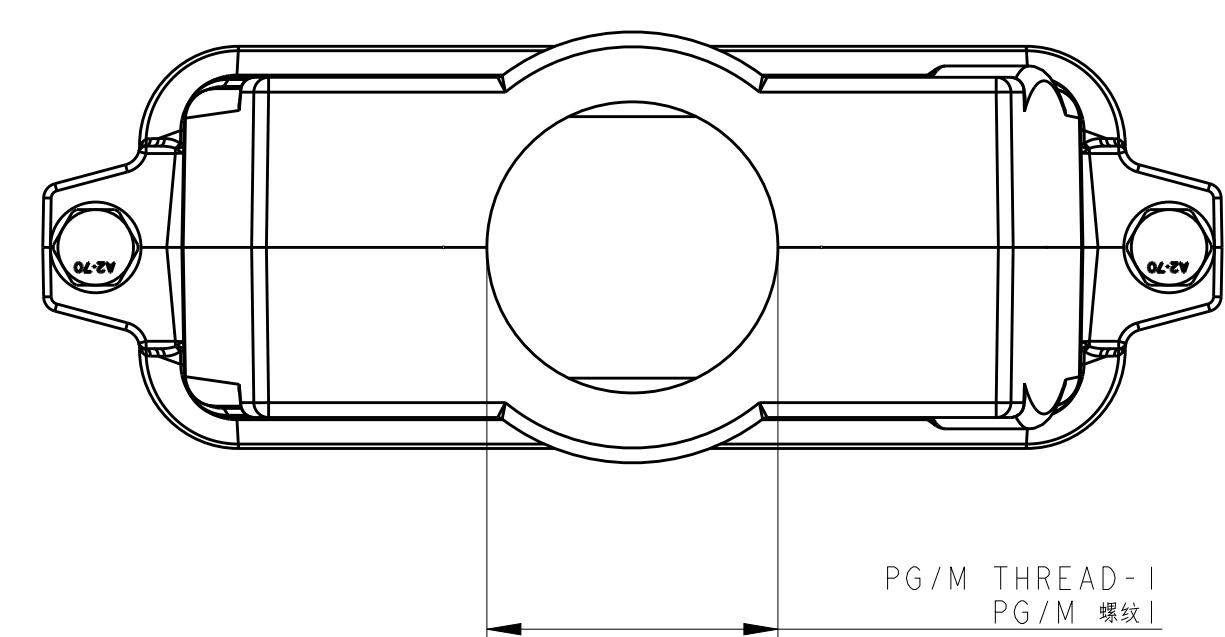
Two PG/M threads & With nonconductive seal  
 两个PG/M螺纹孔人型非导电密封圈



All dimension is same as TYPE 1, except those defined in this TYPE  
 除了在本类型中定义的尺寸外, 其他尺寸同类型 1

### TYPE 4 类型 4

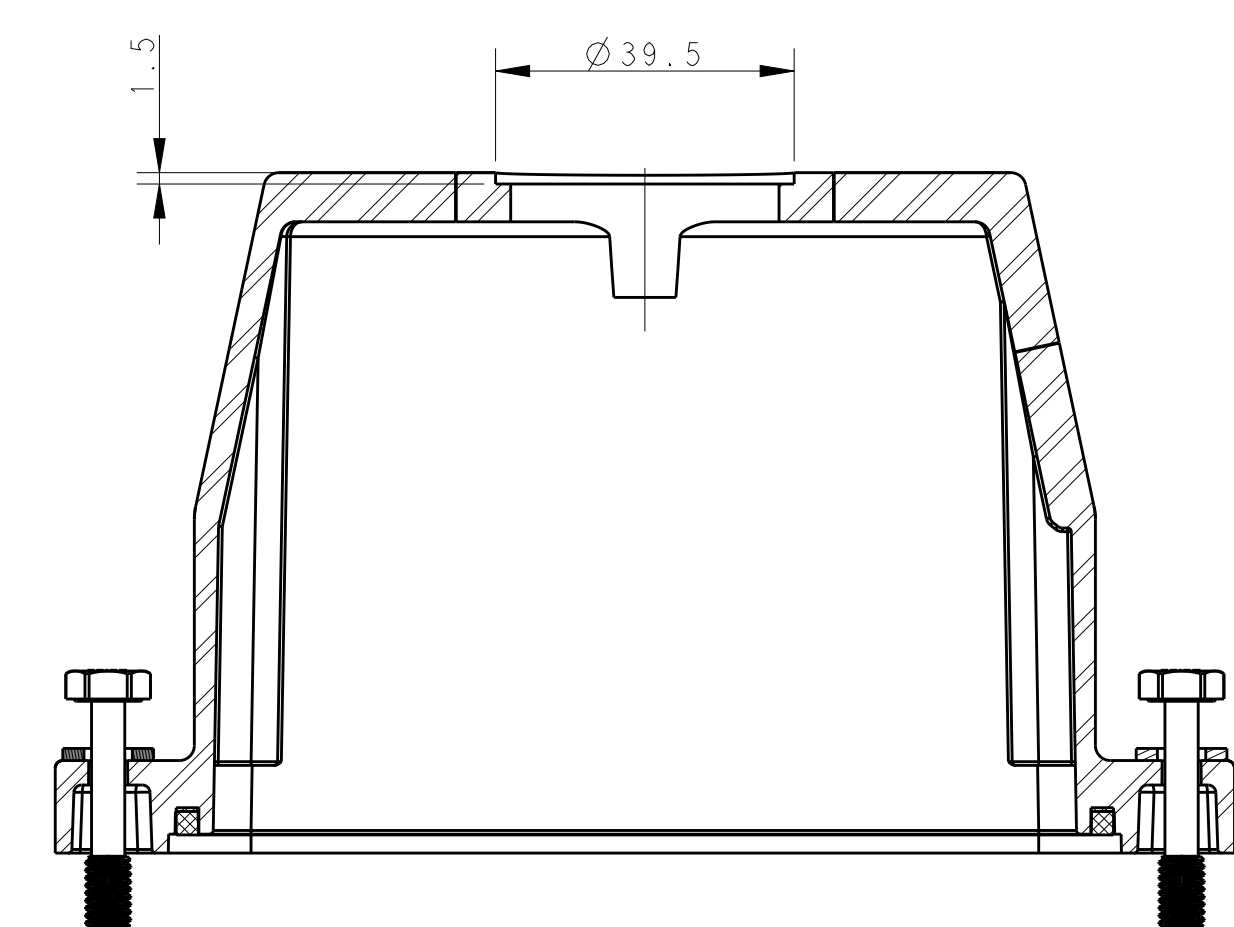
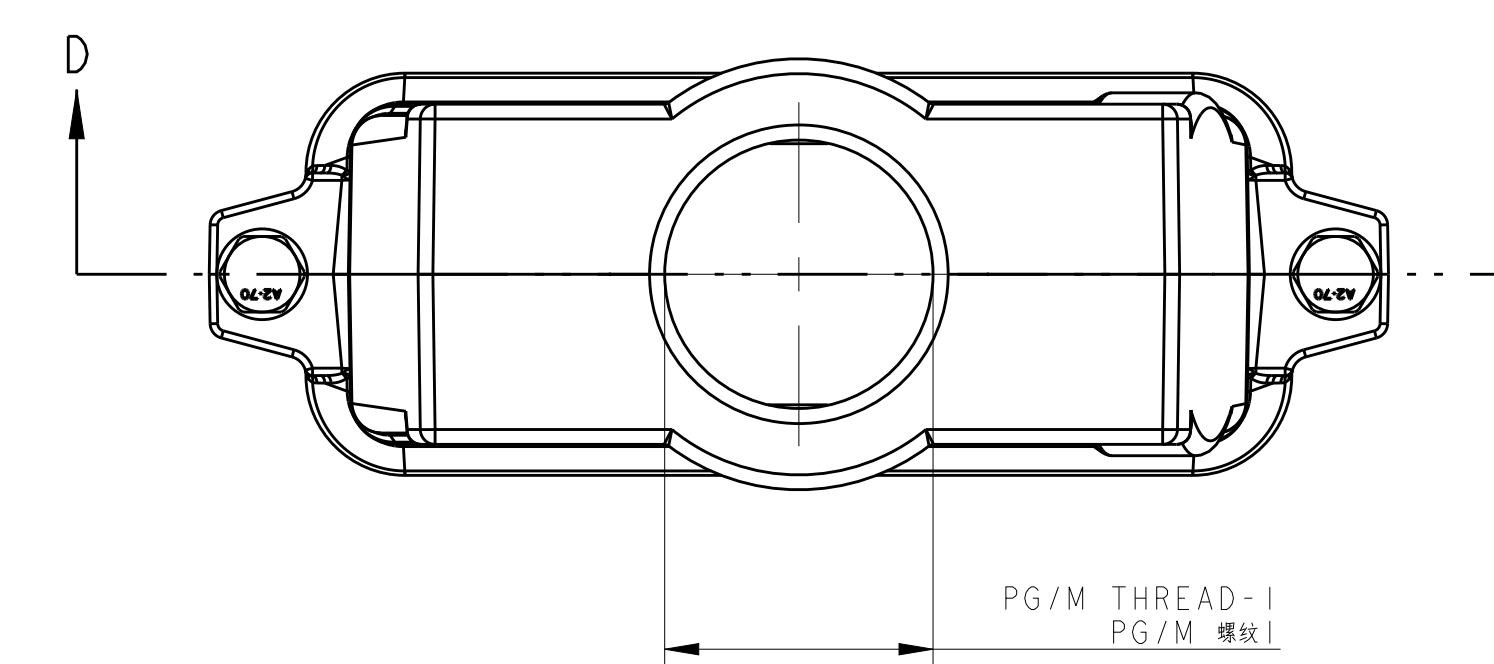
Single PG/M thread & With nonconductive seal, No logo  
 单PG/M螺纹孔人型非导电密封圈, 无Logo



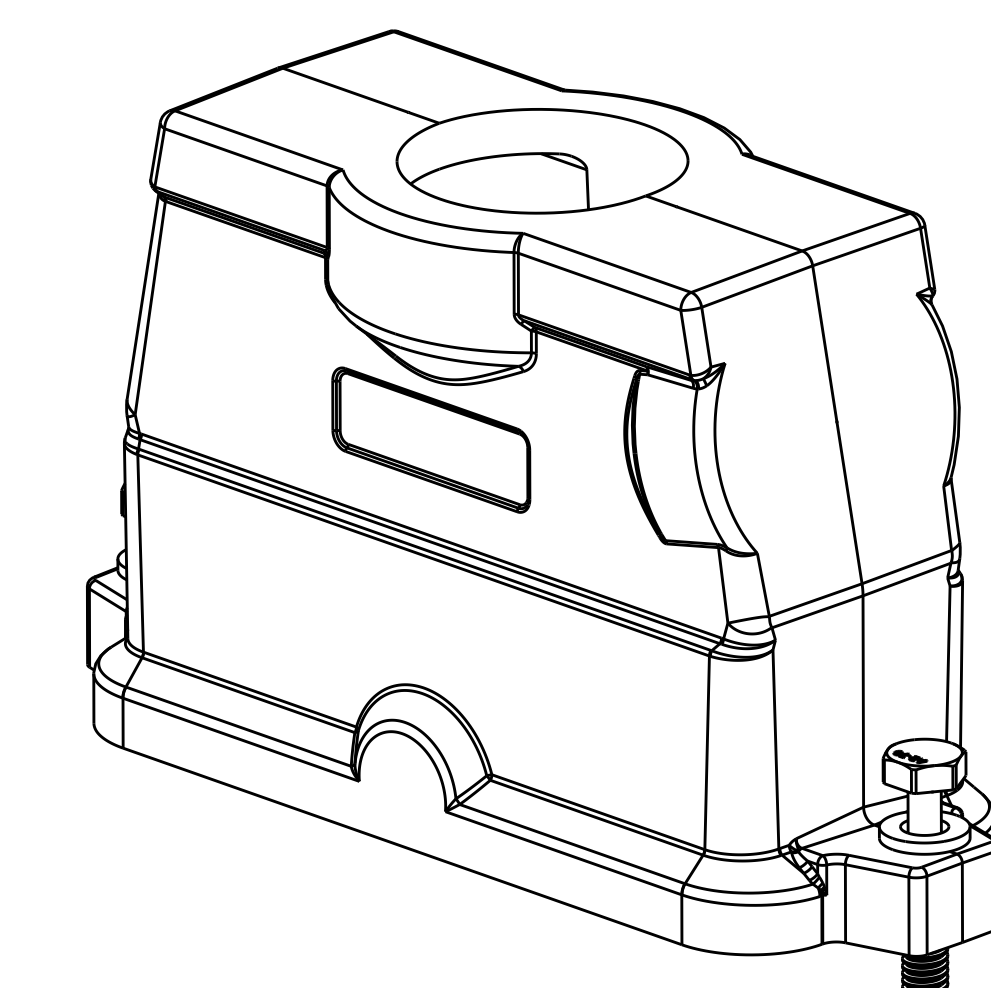
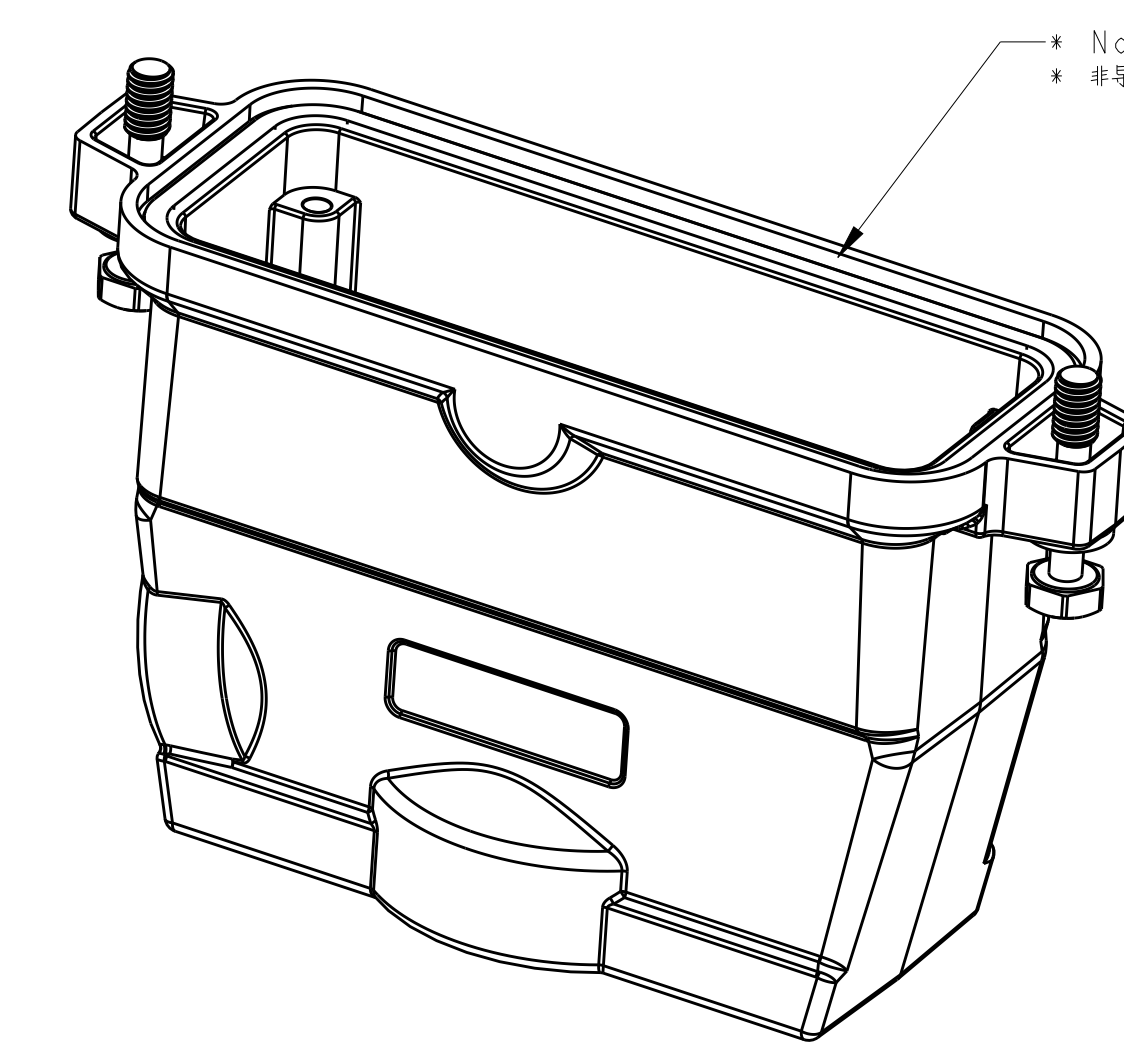
All dimension is same as TYPE 1, except those defined in this TYPE  
 除了在本类型中定义的尺寸外, 其他尺寸同类型 1

### TYPE 3 类型 3

Single PG/M thread & With conductive seal  
 单PG/M螺纹孔人型导电密封圈



All dimension is same as TYPE 1, except those defined in this TYPE  
 除了在本类型中定义的尺寸外, 其他尺寸同类型 1

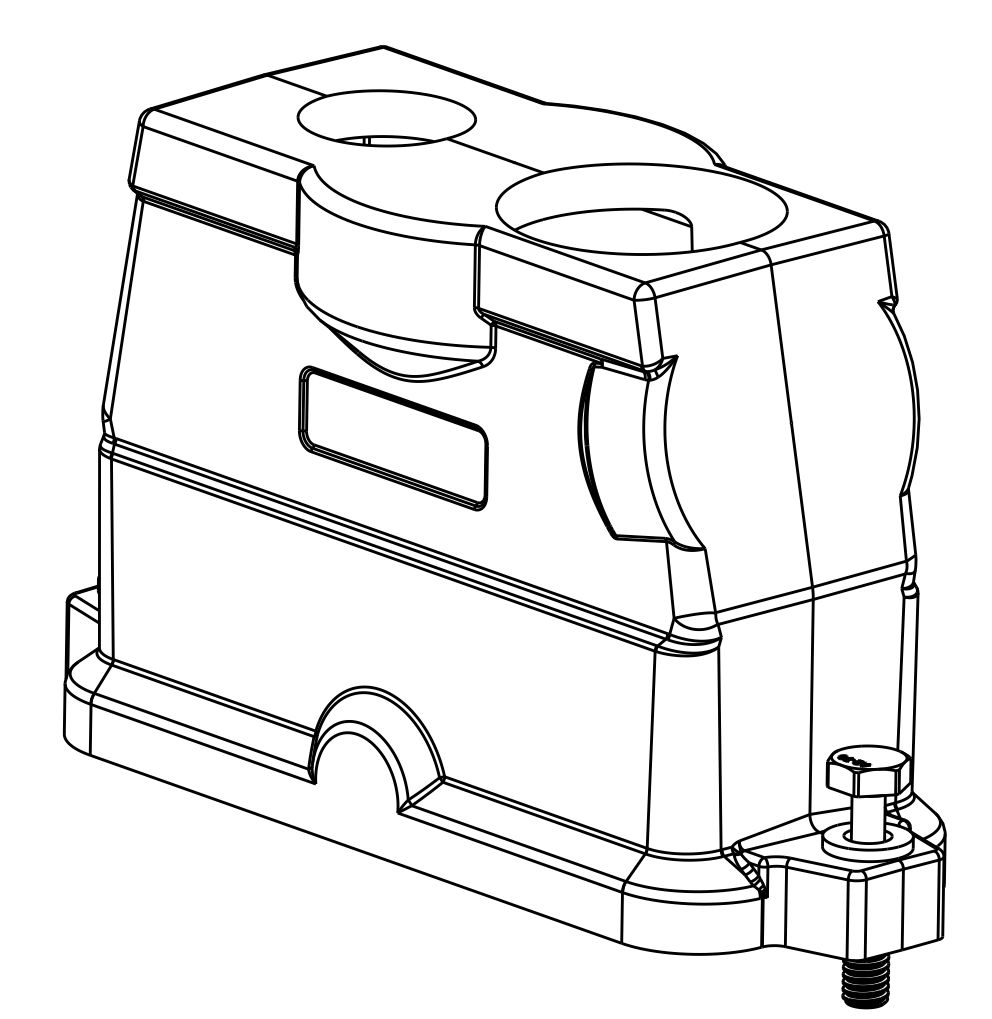
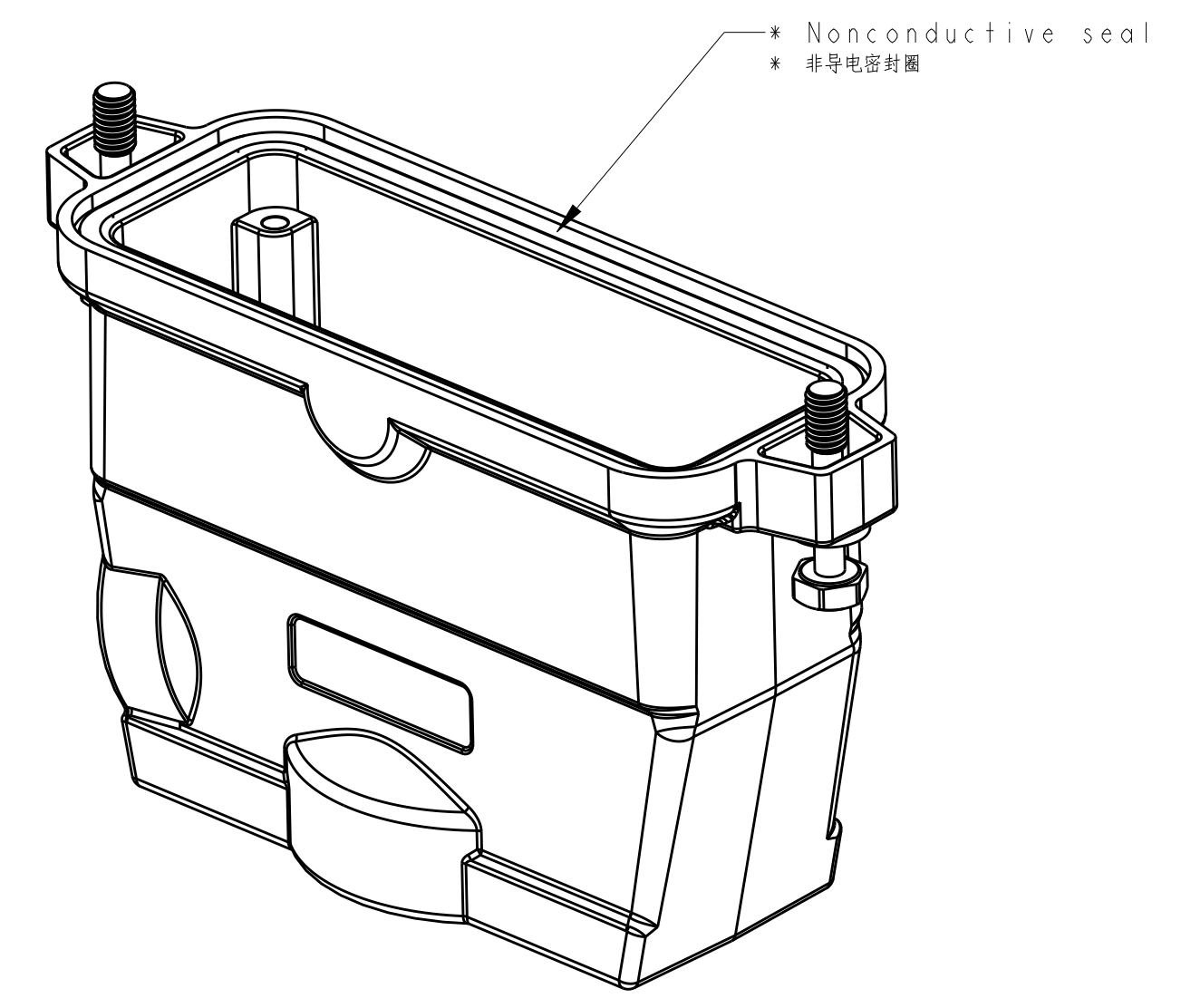
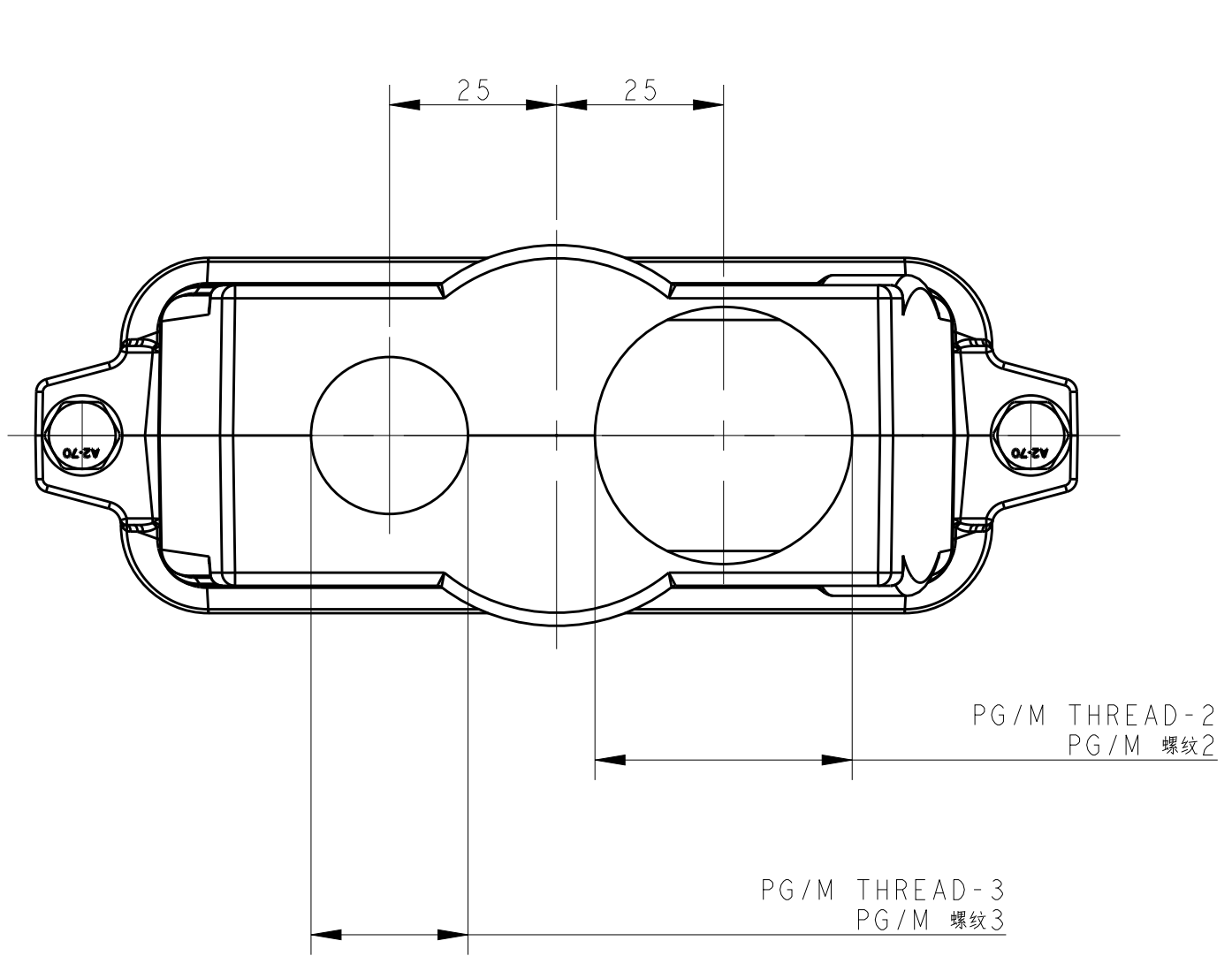


REVISIONS			
REV	DATE	DESCRIPTION	BY
B	20180316	ECR-16-007814	GY
B1	20180317	ECR-17-004165	BS
B2	20180318	ECR-18-010109	CD
B3	20180318	ECR-18-009564	CD

THIS DRAWING IS A CONTROLLED DOCUMENT.		DATE: 16 JUN 2015	BY: G.Luo_Yao
DIMENSIONS:		DATE: 16 JUN 2015	BY: C.H.Li_Wang
DRAWN:		DATE: 16 JUN 2015	BY: Y.Liang_Yao
CHECKED:		DATE:	BY:
APPROVED:		DATE:	BY:
MATERIAL:		PRODUCT SPEC:	108-137014
FINISH:		APPLICATION SPEC:	114-137014
CUSTOMER DRAWING		WEIGHT:	
		ANGLE:	
		SCALE:	1:1
		SHEET:	1 of 2
		REV:	B3

TYPE 5  
 类型5

Two PG/M threads & With nonconductive seal, No Logo  
 两个PG/M螺柱及带有非导电密封, 无Logo



NOTES:  
 1. TECHNICAL CHARACTERISTICS:  
 HOOD MATERIAL: DIE CAST ALUMINIUM ALLOY  
 SURFACE TREATMENT: SEE TABLE  
 DEGREE OF PROTECTION: IP68 (MATED)

注释:  
 1. 技术参数:  
 壳体材料: 铝合金  
 表面处理: 见表格  
 防护等级: IP68 (配合)

All dimension is same as TYPE 1, except those defined in this TYPE  
 除了在本表格中文档尺寸外, 其他尺寸均与TYPE 1

REVISIONS			
REV	DATE	BY	APPD
1	SEE SHEET 1		

PART NUMBER	SURFACE	DESCRIPTION	PG/M THREAD-3 PG/M 螺柱3	PG/M THREAD-2 PG/M 螺柱2	PG/M THREAD-1 PG/M 螺柱1	TYPE
T1922242125-001	POWDER COATED, DEEP GREY	H24BPR-HOOD, CENTER LOCKING, TOP ENTRY M25, POWDER COATED, DEEP GREY, NO LOGO	-	-	M25	TYPE 4
T1922242132-001	POWDER COATED, DEEP GREY	H24BPR-HOOD, CENTER LOCKING, TOP ENTRY M32, POWDER COATED, DEEP GREY, NO LOGO	-	-	M32	TYPE 4
T1922242150-001	POWDER COATED, DEEP GREY	H24BPR-HOOD, CENTER LOCKING, TOP ENTRY M50, POWDER COATED, DEEP GREY, NO LOGO	-	-	M50	TYPE 4
T1922244025-001	POWDER COATED, DEEP GREY	H24BPR-HOOD, CENTER LOCKING, TOP ENTRY M40/M25, POWDER COATED, DEEP GREY, NO LOGO	M25	M40	-	TYPE 5
T1922241129-001	POWDER COATED, SILVER WHITE	H24BPR-HOOD, CENTER LOCKING, TOP ENTRY PG29, POWDER COATED, SILVER WHITE, CONDUCTIVE, THREAD HOLE WITH STEP	-	-	PG29	TYPE 3
T1922241129-001	POWDER COATED, BLACK	H24BPR-HOOD, CENTER LOCKING, TOP ENTRY PG29, POWDER COATED, BLACK, CONDUCTIVE, THREAD HOLE WITH STEP	-	-	PG29	TYPE 3
T1922244025-000	POWDER COATED, SILVER WHITE	H24BPR-HOOD, CENTER LOCKING, TOP ENTRY 2PG21, POWDER COATED, SILVER WHITE	PG21	PG21	-	TYPE 2
T1922241140-000	POWDER COATED, SILVER WHITE	H24BPR-HOOD, CENTER LOCKING, TOP ENTRY M40/M25, POWDER COATED, SILVER WHITE	M25	M40	-	TYPE 2
T1922241136-000	POWDER COATED, SILVER WHITE	H24BPR-HOOD, CENTER LOCKING, TOP ENTRY M40, POWDER COATED, SILVER WHITE	-	-	M40	TYPE 1
T1922241132-000	POWDER COATED, SILVER WHITE	H24BPR-HOOD, CENTER LOCKING, TOP ENTRY PG36, POWDER COATED, SILVER WHITE	-	-	PG36	TYPE 1
T1922241132-000	POWDER COATED, SILVER WHITE	H24BPR-HOOD, CENTER LOCKING, TOP ENTRY M32, POWDER COATED, SILVER WHITE	-	-	M32	TYPE 1
T1922241129-000	POWDER COATED, SILVER WHITE	H24BPR-HOOD, CENTER LOCKING, TOP ENTRY PG29, POWDER COATED, SILVER WHITE	-	-	PG29	TYPE 1
T1922241125-000	POWDER COATED, SILVER WHITE	H24BPR-HOOD, CENTER LOCKING, TOP ENTRY M25, POWDER COATED, SILVER WHITE	-	-	M25	TYPE 1
T1922241121-000	POWDER COATED, SILVER WHITE	H24BPR-HOOD, CENTER LOCKING, TOP ENTRY PG21, POWDER COATED, SILVER WHITE	-	-	PG21	TYPE 1
T1922240140-000	POWDER COATED, BLACK	H24BPR-HOOD, CENTER LOCKING, TOP ENTRY M40, POWDER COATED, BLACK	-	-	M40	TYPE 1
T1922240136-000	POWDER COATED, BLACK	H24BPR-HOOD, CENTER LOCKING, TOP ENTRY PG36, POWDER COATED, BLACK	-	-	PG36	TYPE 1
T1922240132-000	POWDER COATED, BLACK	H24BPR-HOOD, CENTER LOCKING, TOP ENTRY M32, POWDER COATED, BLACK	-	-	M32	TYPE 1
T1922240129-000	POWDER COATED, BLACK	H24BPR-HOOD, CENTER LOCKING, TOP ENTRY PG29, POWDER COATED, BLACK	-	-	PG29	TYPE 1
T1922240125-000	POWDER COATED, BLACK	H24BPR-HOOD, CENTER LOCKING, TOP ENTRY M25, POWDER COATED, BLACK	-	-	M25	TYPE 1
T1922240121-000	POWDER COATED, BLACK	H24BPR-HOOD, CENTER LOCKING, TOP ENTRY PG21, POWDER COATED, BLACK	-	-	PG21	TYPE 1

THIS DRAWING IS A CONTROLLED DOCUMENT. DATE: 16 JUN 2015  
 DIMENSIONS: (mm) 0 P L C ±, 1 P L C ±, 2 P L C ±, 3 P L C ±  
 MATERIAL: FINISH: WETSPRINT  
 CUSTOMER DRAWING  
 STC TE Connectivity  
 H24BPR-TGHC-PG/M  
 108-137014  
 114-137014  
 SCALE: 1:1 SHEET 2 OF 2 REV B3

## X-ON Electronics

Largest Supplier of Electrical and Electronic Components

*Click to view similar products for [Heavy Duty Power Connectors](#) category:*

*Click to view products by [TE Connectivity](#) manufacturer:*

Other Similar products are found below :

[1424439](#) [1424438](#) [09330062652](#) [2-8675P1](#) [605601-1](#) [6340G1](#) [6341G1](#) [6360G1](#) [6373G1](#) [6374g2](#) [6396G1](#) [647757-1](#) [66394-4](#) [6643411-1](#)  
[6646058-2](#) [6646137-1](#) [6646138-1](#) [6646348-1](#) [6646479-1](#) [6646608-1](#) [6646786-1](#) [6646940-1](#) [6651091-1](#) [6651525-1](#) [6651529-1](#) [6651778-1](#)  
[6651788-1](#) [696465-1](#) [696475-1](#) [73000005059](#) [73000005349](#) [73000005642](#) [73080255059](#) [73080965046](#) [765-15-0080A](#) [765-16-0080B](#)  
[789.700-44](#) [789.700-54](#) [80-1010](#) [80-9](#) [827381-1](#) [829992-1](#) [902-77-02113](#) [PL00U-301-10D10](#) [PM103MOOLOO](#) [PM16S1620S32-50](#)  
[PM212MOOLOO](#) [PM309FOOLOO](#) [PM324FOOLCH](#) [PMHPAF11S03](#)