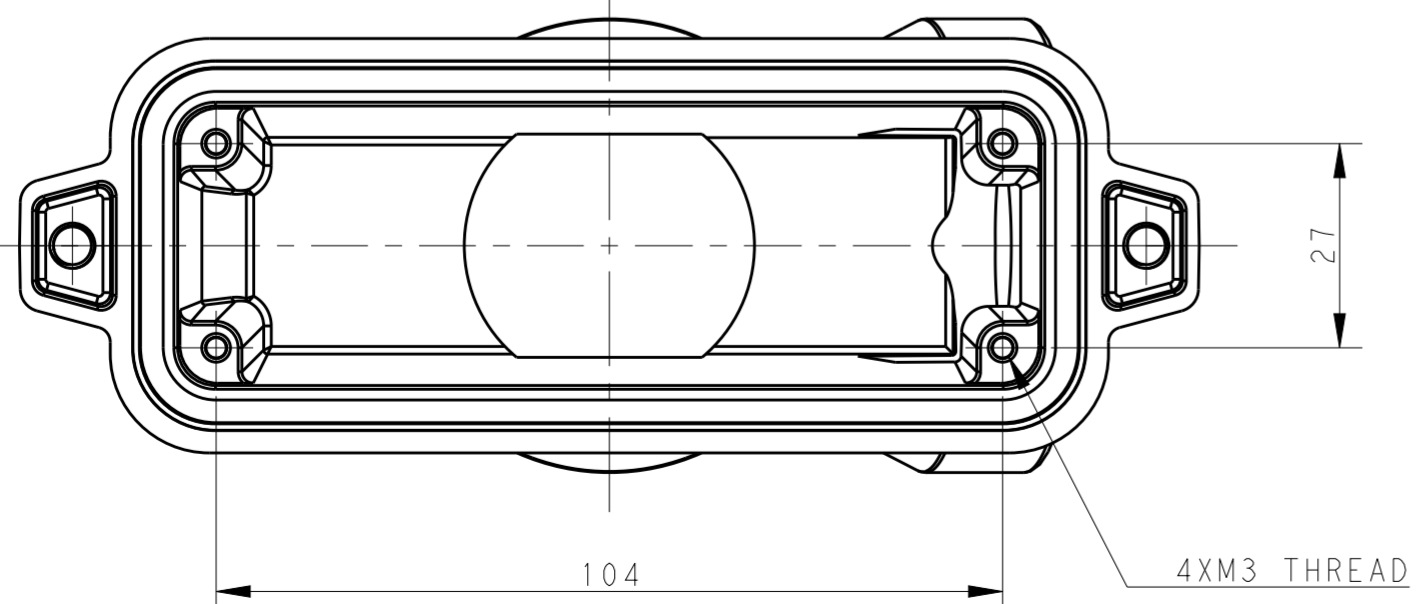
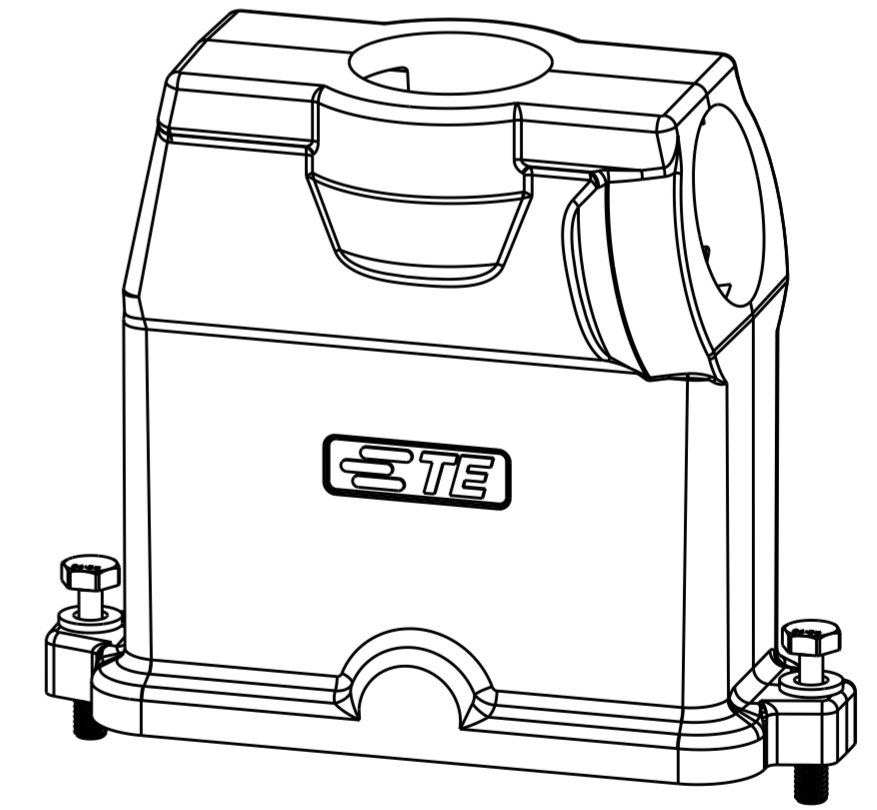
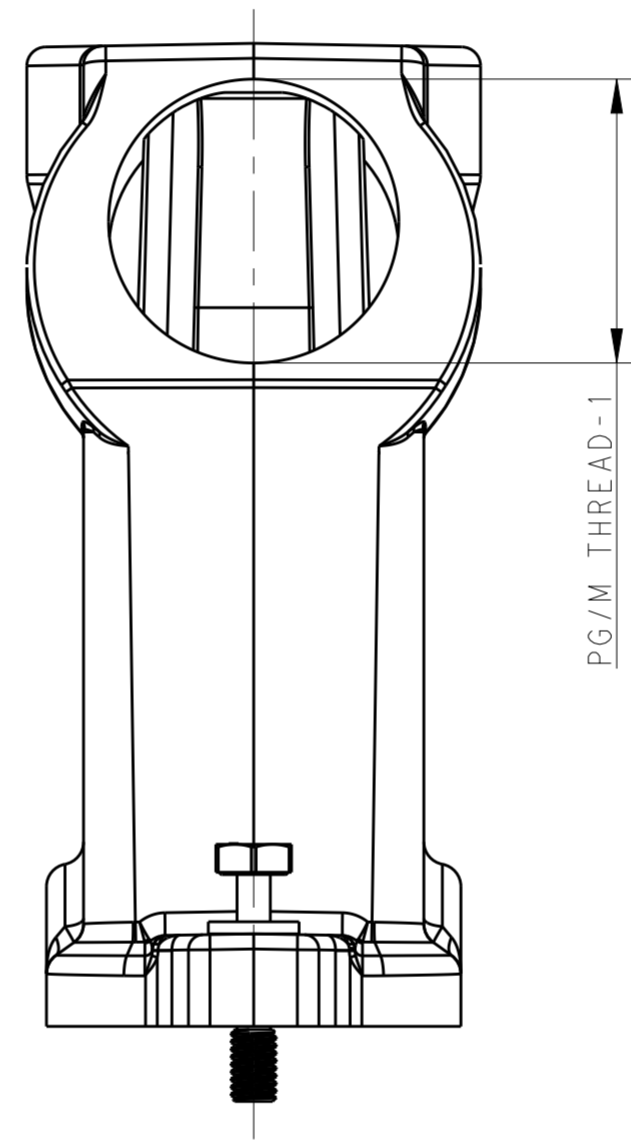
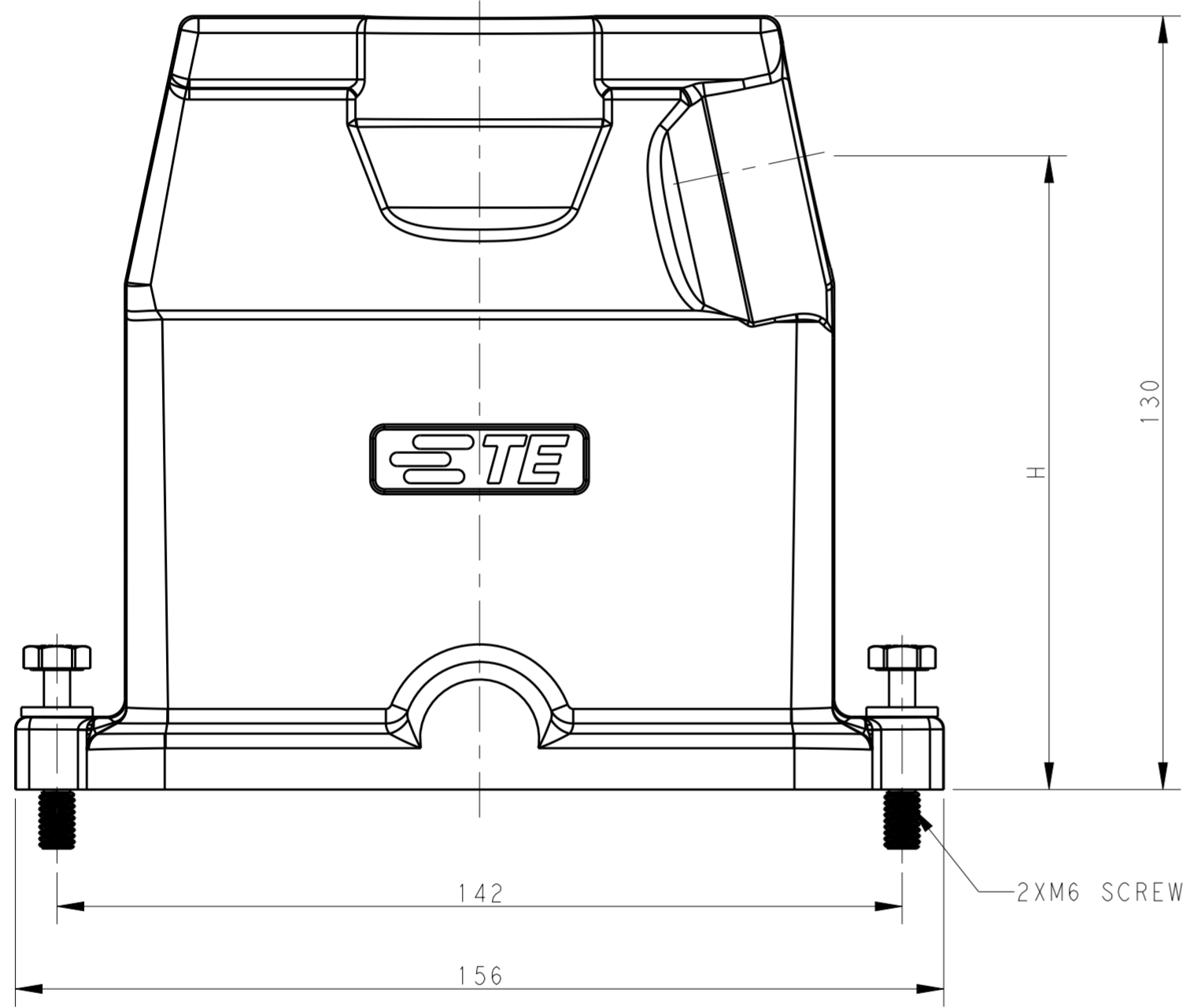
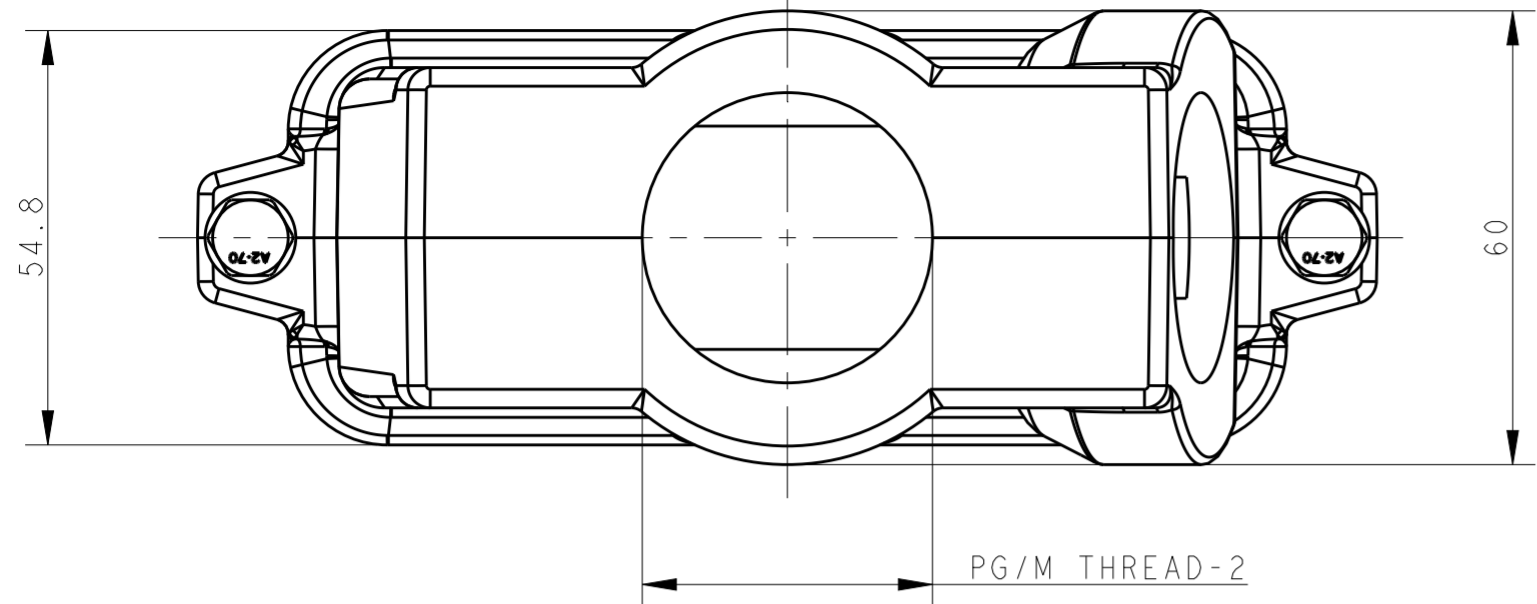


THIS DRAWING IS UNPUBLISHED. RELEASED FOR PUBLICATION 20  
 © COPYRIGHT 20 BY - ALL RIGHTS RESERVED.

REVISIONS					
P	LTR	DESCRIPTION	DATE	DWN	APVD
	A	INITIAL RELEASE	16JUN2015	GY	CW
	A1	ECR-18-010109	03JUL2018	CD	CW
	A2	ECR-18-009890	30AUG2018	CD	CW
	A3	ECR-18-017710	12NOV2018	CD	CW

NOTES:  
 1. TECHNICAL CHARACTERISTICS:  
 HOOD MATERIAL: DIE CAST ALUMINIUM ALLOY  
 SURFACE TREATMENT: SEE TABLE  
 DEGREE OF PROTECTION: IP68 (MATED)

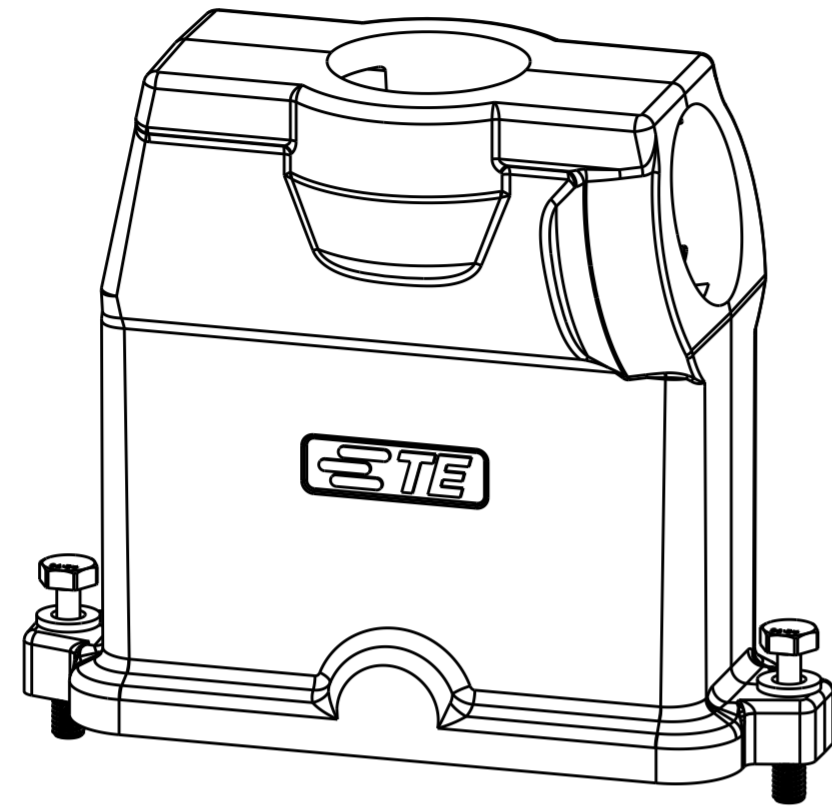
注释:  
 1. 技术参数:  
 壳体材料: 铝合金  
 表面处理: 见表格  
 防护等级: IP68 (配合)



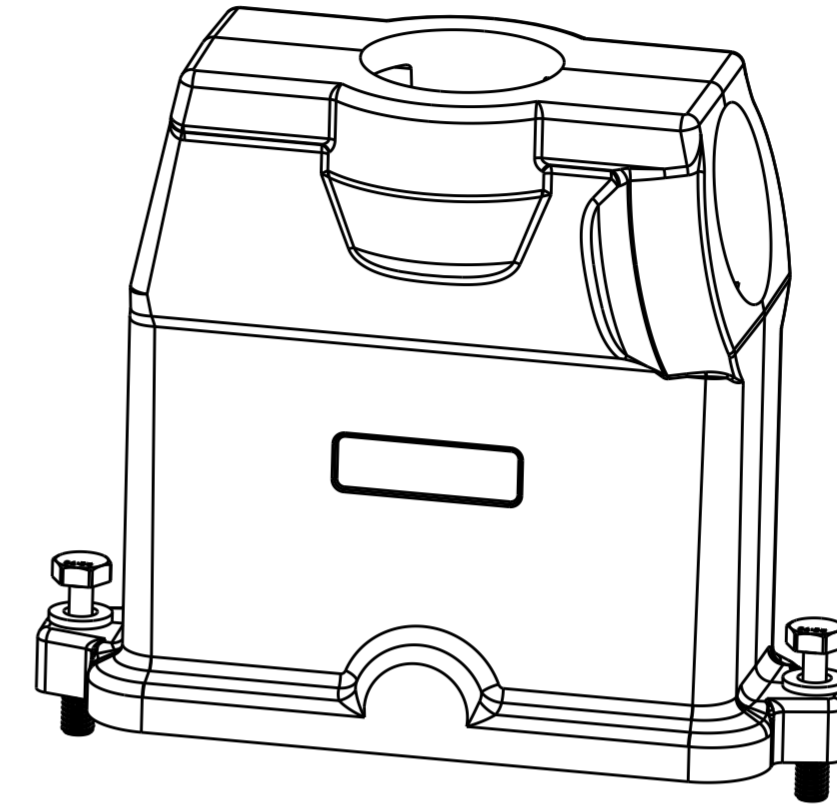
THIS DRAWING IS A CONTROLLED DOCUMENT.		DWN: Gino Yao 16JUN2015	<b>STE</b> TE Connectivity	
		CHK: Chris Wang 16JUN2015		
		APVD: Xiang Xu 16JUN2015	NAME: H24BPR H130 -TG/SHC-PG/M	
DIMENSIONS: mm		PRODUCT SPEC: 108-137014	RESTRICTED TO: -	
TOLERANCES UNLESS OTHERWISE SPECIFIED:		APPLICATION SPEC: 114-137014	SIZE: A2	CAGE CODE: -
0 PLC ±		WEIGHT: -	DRAWING NO: C-T108224XXXXX00	
1 PLC ±		SCALE: 1:1		
2 PLC ±		SHEET: 1 OF 4		
3 PLC ±		REV: A3		
4 PLC ±		Customer Drawing		
ANGLES ±				
FINISH -				

THIS DRAWING IS UNPUBLISHED. RELEASED FOR PUBLICATION 20  
 © COPYRIGHT 20 BY - ALL RIGHTS RESERVED.

TYPE 1: TOP & SIDE ENTRY  
 类型1: 顶侧出



TYPE 2: TOP & SIDE ENTRY, NO LOGO  
 类型2: 顶侧出, 无LOGO

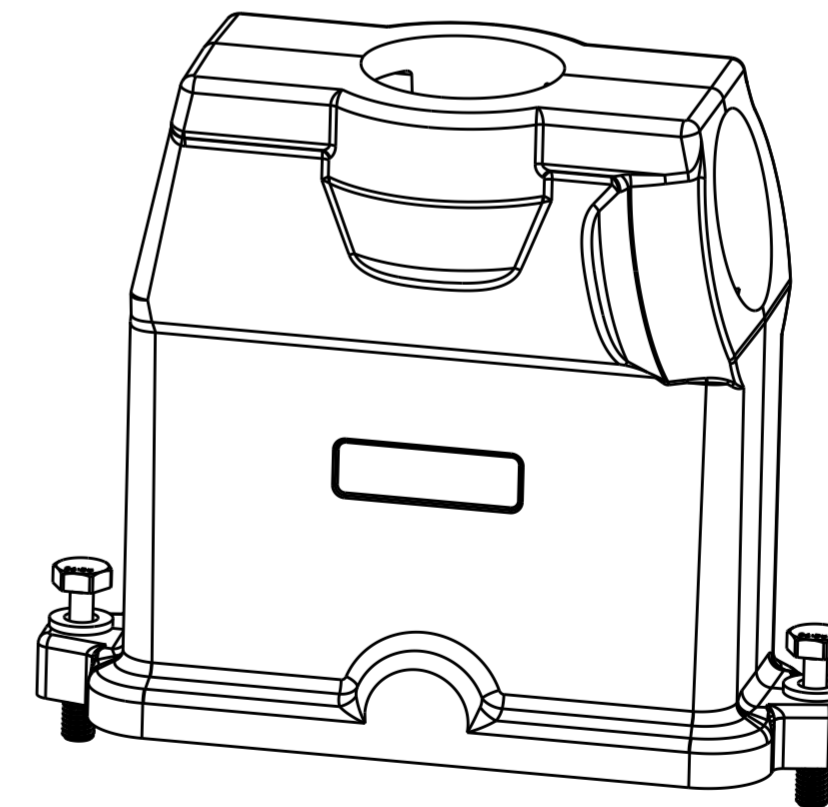
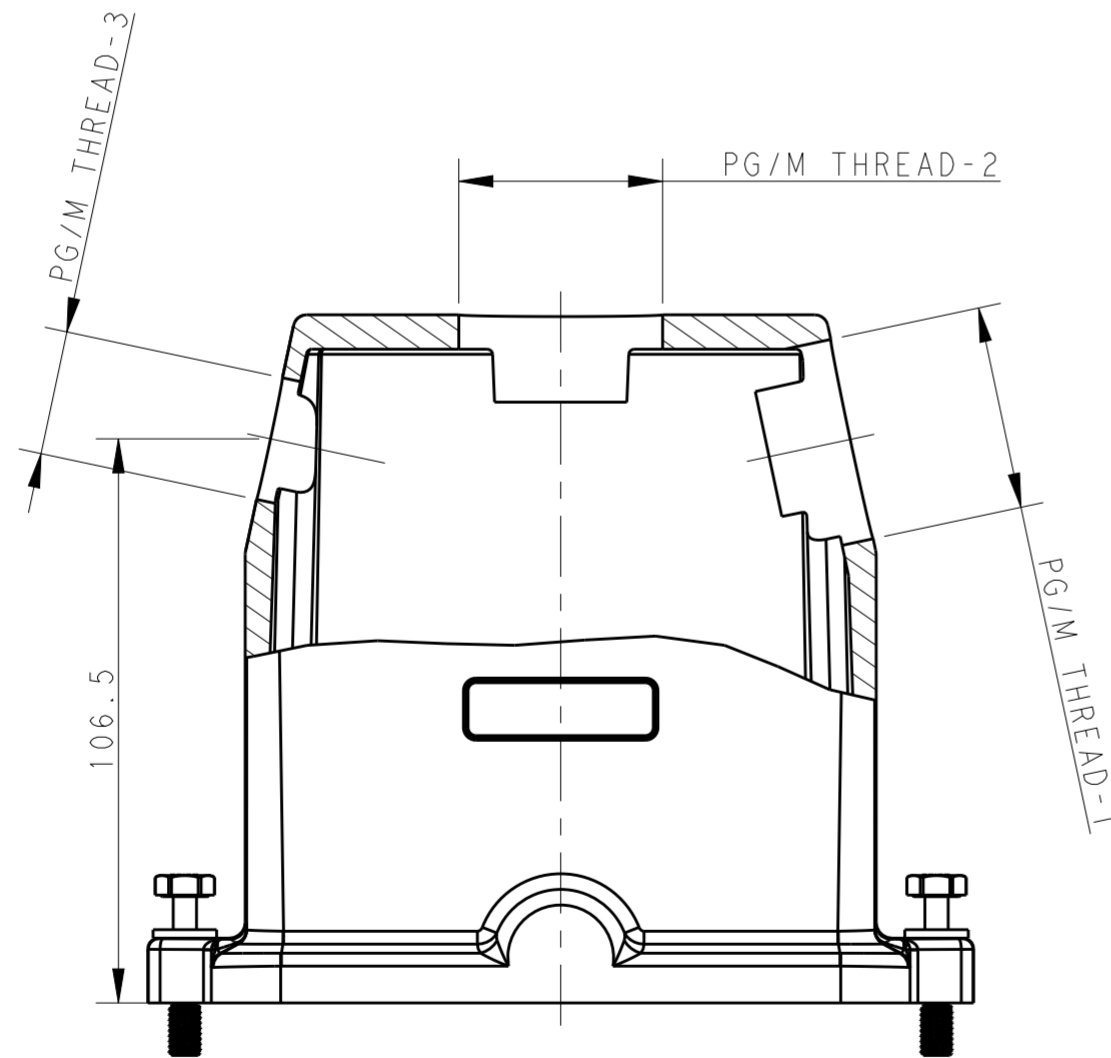


ALL DIMENSIONS ARE SAME AS TYPE 1, JUST NO LOGO  
 尺寸同类型1, 仅无LOGO

REVISIONS				
P	LTR	DESCRIPTION	DATE	APVD
-		SEE SHEET 1	-	-

NOTES:  
 SEE SHEET 1  
 备注:  
 见 SHEET 1

TYPE 3: TOP & 2 SIDE ENTRY, NO LOGO  
 类型3: 顶出+双侧出, 无LOGO



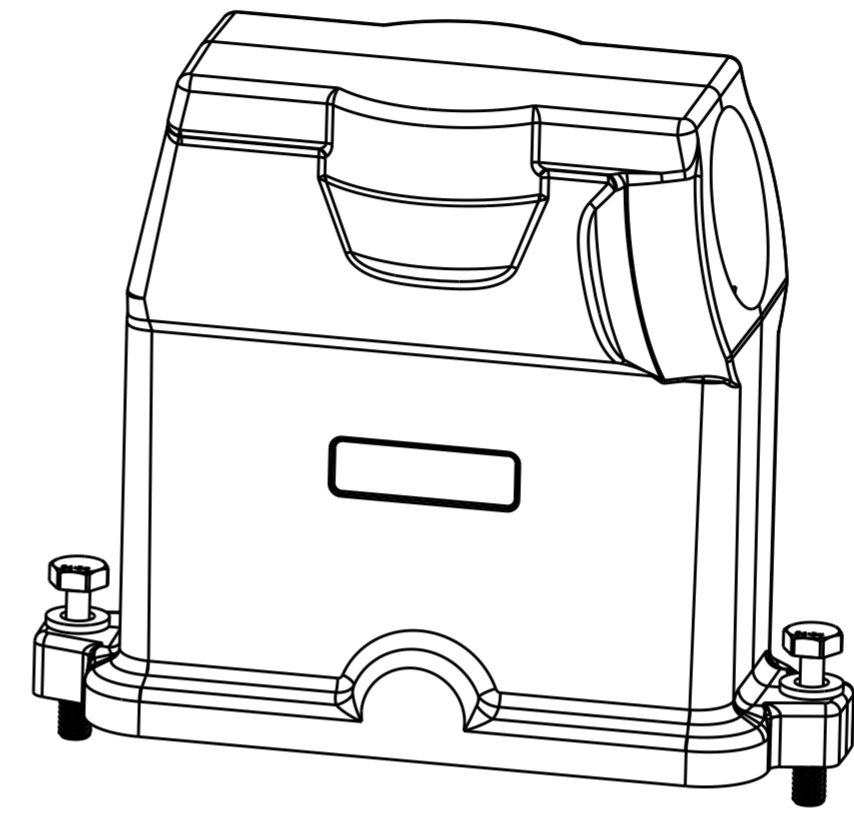
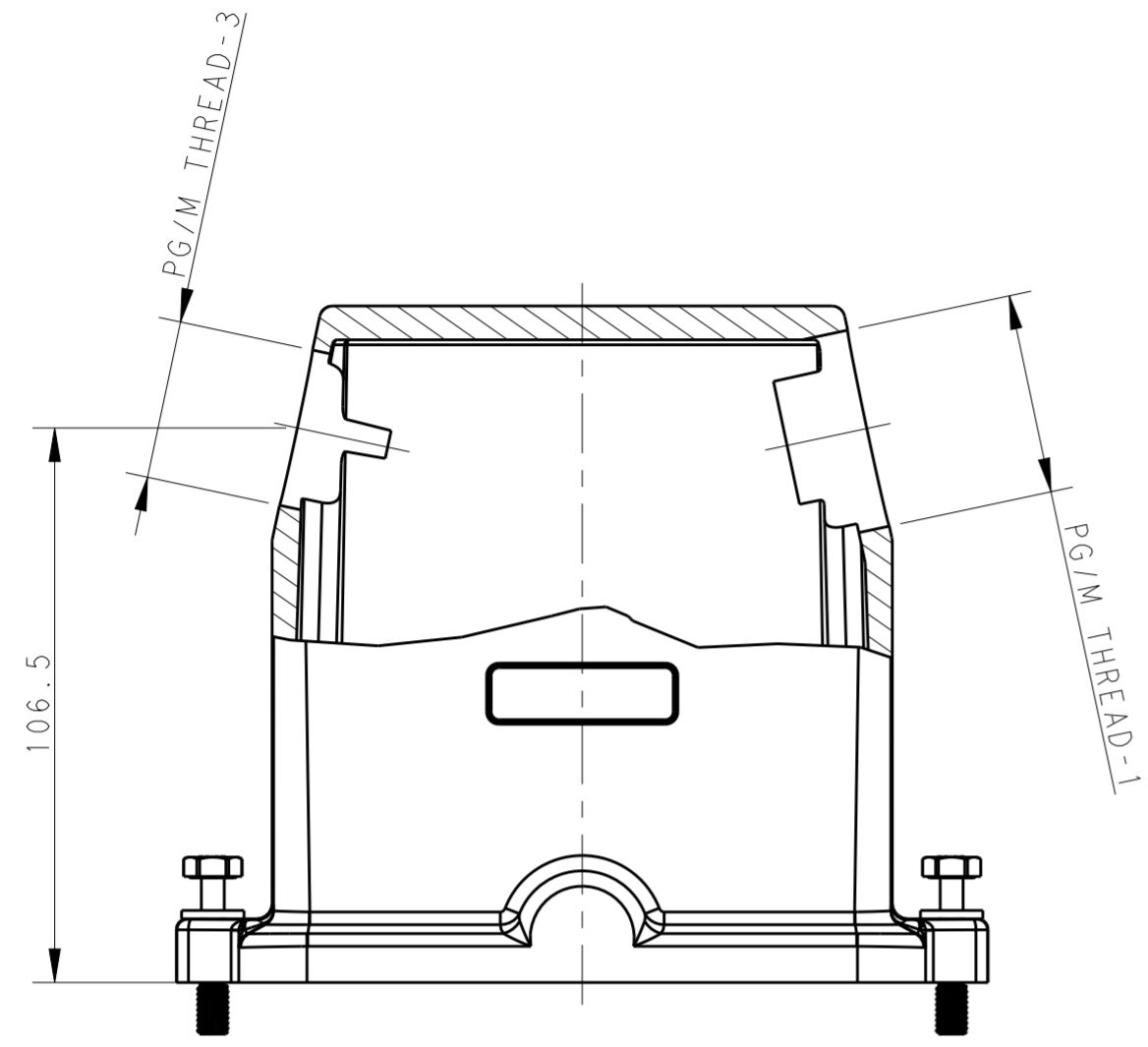
ALL DIMENSIONS ARE SAME AS TYPE 1, EXCEPT THOSE DEFINED IN THIS TYPE  
 除了在本类型中定义的尺寸外, 其余尺寸同类型1

THIS DRAWING IS A CONTROLLED DOCUMENT.		DWN Gino Yao 16 JUN 2015	<b>STC</b> TE Connectivity	
		CHK Chris Wang 16 JUN 2015		
DIMENSIONS: mm		APVD Xiang Xu 16 JUN 2015	NAME H24BPR H130 -TG/SHC-PG/M	
TOLERANCES UNLESS OTHERWISE SPECIFIED:		PRODUCT SPEC 108-137014	RESTRICTED TO	
0 PLC ±-		APPLICATION SPEC 114-137014	SIZE A2	CAGE CODE -
1 PLC ±-		WEIGHT -	DRAWING NO G-T108224XXXXX00	
2 PLC ±-		Customer Drawing	SCALE 1:1	SHEET 2 OF 4
3 PLC ±-			REV A3	
4 PLC ±-				
ANGLES ±-				
FINISH				

THIS DRAWING IS UNPUBLISHED. RELEASED FOR PUBLICATION 20  
 © COPYRIGHT 20 BY - ALL RIGHTS RESERVED.

REVISIONS				
P	LTR	DESCRIPTION	DATE	APVD
-		SEE SHEET 1	-	-

TYPE 4: 2 SIDE ENTRY, NO LOGO  
 类型4: 双侧出, 无LOGO



NOTES:  
 SEE SHEET 1  
 备注:  
 见 SHEET 1

ALL DIMENSIONS ARE SAME AS TYPE 1, EXCEPT THOSE DEFINED IN THIS TYPE  
 除了在本类型中定义的尺寸外, 其余尺寸同类型 1

THIS DRAWING IS A CONTROLLED DOCUMENT.		DWN Gino Yao 16 JUN 2015	<b>STE</b> TE Connectivity	
		CHK Chris Wang 16 JUN 2015		
		APVD Xiang Xu 16 JUN 2015	NAME H24BPR H130 -TG/SHC-PG/M	
DIMENSIONS: mm		PRODUCT SPEC 108-137014	SIZE A2	CAGE CODE -
TOLERANCES UNLESS OTHERWISE SPECIFIED: 0 PLC ± 1 PLC ± 2 PLC ± 3 PLC ± 4 PLC ± ANGLES ± FINISH		APPLICATION SPEC 114-137014	DRAWING NO G-T108224XXXXX00	RESTRICTED TO -
MATERIAL -		WEIGHT -	SCALE 1:1	SHEET 3 OF 4
		Customer Drawing		REV A3


THIS DRAWING IS UNPUBLISHED. RELEASED FOR PUBLICATION 20  
 © COPYRIGHT 20 BY - ALL RIGHTS RESERVED.

REVISIONS				
P	LTR	DESCRIPTION	DATE	APVD
-		SEE SHEET 1	-	-

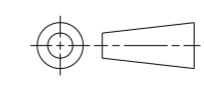
NOTES:  
 SEE SHEET 1  
 备注:  
 见 SHEET 1

PART NUMBER 成品料号	ASSEMBLY PART DESCRIPTION 成品描述	PG/M THREAD-3 PG/M 螺纹-3	PG/M THREAD-2 PG/M 螺纹-2	PG/M THREAD-1 PG/M 螺纹-1	DIM.(H) 尺寸(H)	TYPE 类型
T1062244032-001	H24BPR H130 -TSHC-M40/M32 H24BPR HOOD,CENTER LOCKING,HIGH CONSTRUCTION, TWO SIDE ENTRY M40-M32,H130,POWDER COATED,DEEP GREY,NO LOGO H24BPR上壳,中部锁定,高结构,双侧出M40-M32,H130,深灰色粉末喷涂,无LOGO	M32	-	M40	106.5	TYPE4 类型4
T1082244040-251	H24BPR H130 -TG/SHC-M40/M40-M25 H24BPR HOOD,CENTER LOCKING,HIGH CONSTRUCTION,TOP ENTRY M40, TWO SIDE ENTRY M40-M25,H130,POWDER COATED,DEEP GREY,NO LOGO H24BPR上壳,中部锁定,高结构,顶出M40,双侧出M40-M25,H130,深灰色粉末喷涂,无LOGO	M25	M40	M40	106.5	TYPE3 类型3
T1082242240-001	H24BPR H130-TG/SHC-M40/M40 H24BPR HOOD,CENTER LOCKING,HIGH CONSTRUCTION,TOP ENTRY -SIDE ENTRY M40,H130,POWDER COATED,DEEP GREY,NO LOGO H24BPR上壳,中部锁定,高结构,顶/侧出M40,H130,深灰色粉末喷涂,无LOGO	-	M40	M40	106.5	TYPE2 类型2
T1082244032-000	H24BPR H130-TG/SHC-M40/M32 H24BPR HOOD,CENTER LOCKING,HIGH CONSTRUCTION, TOP ENTRY M40SIDE ENTRY M32,H130,POWDER COATED,GREY H24BPR上壳,中部锁定,高结构,顶出M40侧出M32,H130,灰色粉末喷涂	-	M40	M32	100.5	TYPE1 类型1
T1082243240-000	H24BPR H130-TG/SHC-M32/M40 H24BPR HOOD,CENTER LOCKING,HIGH CONSTRUCTION, TOP ENTRY M32SIDE ENTRY M40,H130,POWDER COATED,GREY H24BPR上壳,中部锁定,高结构,顶出M32侧出M40,H130,灰色粉末喷涂	-	M32	M40	106.5	
T1082242240-000	H24BPR H130-TG/SHC-2M40 24BPR HOOD,CENTER LOCKING,HIGH CONSTRUCTION, TOP ENTRY -SIDE ENTRY M40,H130,POWDER COATED,GREY H24BPR上壳,中部锁定,高结构,顶/侧出M40,H130,灰色粉末喷涂	-	M40	M40	106.5	
T1082242232-000	H24BPR H130-TG/SHC-2M32 H24BPR HOOD,CENTER LOCKING,HIGH CONSTRUCTION, TOP ENTRY -SIDE ENTRY M32,H130,POWDER COATED,GREY H24BPR上壳,中部锁定,高结构,顶/侧出M32,H130,灰色粉末喷涂	-	M32	M32	100.5	
T1082241240-000	H24BPR H130-TG/SHC-2M40 H24BPR HOOD,CENTER LOCKING,HIGH CONSTRUCTION,TOP ENTRY -SIDE ENTRY M40,H130,POWDER COATED,SILVER WHITE H24BPR上壳,中部锁定,高结构,顶/侧出M40,H130,银白色粉末喷涂,半成品	-	M40	M40	106.5	

THIS DRAWING IS A CONTROLLED DOCUMENT.

DWN Gino.Yao 16JUN2015				
CHK Chris.Wang 16JUN2015				
APVD Xiang.Xu 16JUN2015				
NAME H24BPR H130 -TG/SHC-PG/M				
PRODUCT SPEC 108-137014	SIZE A2	CAGE CODE -	DRAWING NO G-T108224XXXXX00	RESTRICTED TO -
APPLICATION SPEC 114-137014	SCALE 1:1	SHEET 4	OF 4	REV A3
MATERIAL -	WEIGHT -	Customer Drawing		

DIMENSIONS:		TOLERANCES UNLESS OTHERWISE SPECIFIED:	
mm	0 PLC	±	
	1 PLC	±	
	2 PLC	±	
	3 PLC	±	
	4 PLC	±	
	ANGLES	±	
	FINISH		



## X-ON Electronics

Largest Supplier of Electrical and Electronic Components

*Click to view similar products for [Heavy Duty Power Connectors](#) category:*

*Click to view products by [TE Connectivity](#) manufacturer:*

Other Similar products are found below :

[1424439](#) [1424438](#) [09330062652](#) [2-8675P1](#) [605601-1](#) [6340G1](#) [6341G1](#) [6360G1](#) [6373G1](#) [6374g2](#) [6396G1](#) [647757-1](#) [66394-4](#) [6643411-1](#)  
[6646058-2](#) [6646137-1](#) [6646138-1](#) [6646348-1](#) [6646479-1](#) [6646608-1](#) [6646786-1](#) [6646940-1](#) [6651091-1](#) [6651525-1](#) [6651529-1](#) [6651778-1](#)  
[6651788-1](#) [696465-1](#) [696475-1](#) [73000005059](#) [73000005349](#) [73000005642](#) [73080255059](#) [73080965046](#) [765-15-0080A](#) [765-16-0080B](#)  
[789.700-44](#) [789.700-54](#) [80-1010](#) [80-9](#) [827381-1](#) [829992-1](#) [902-77-02113](#) [PL00U-301-10D10](#) [PM103MOOLOO](#) [PM16S1620S32-50](#)  
[PM212MOOLOO](#) [PM309FOOLOO](#) [PM324FOOLCH](#) [PMHPAF11S03](#)