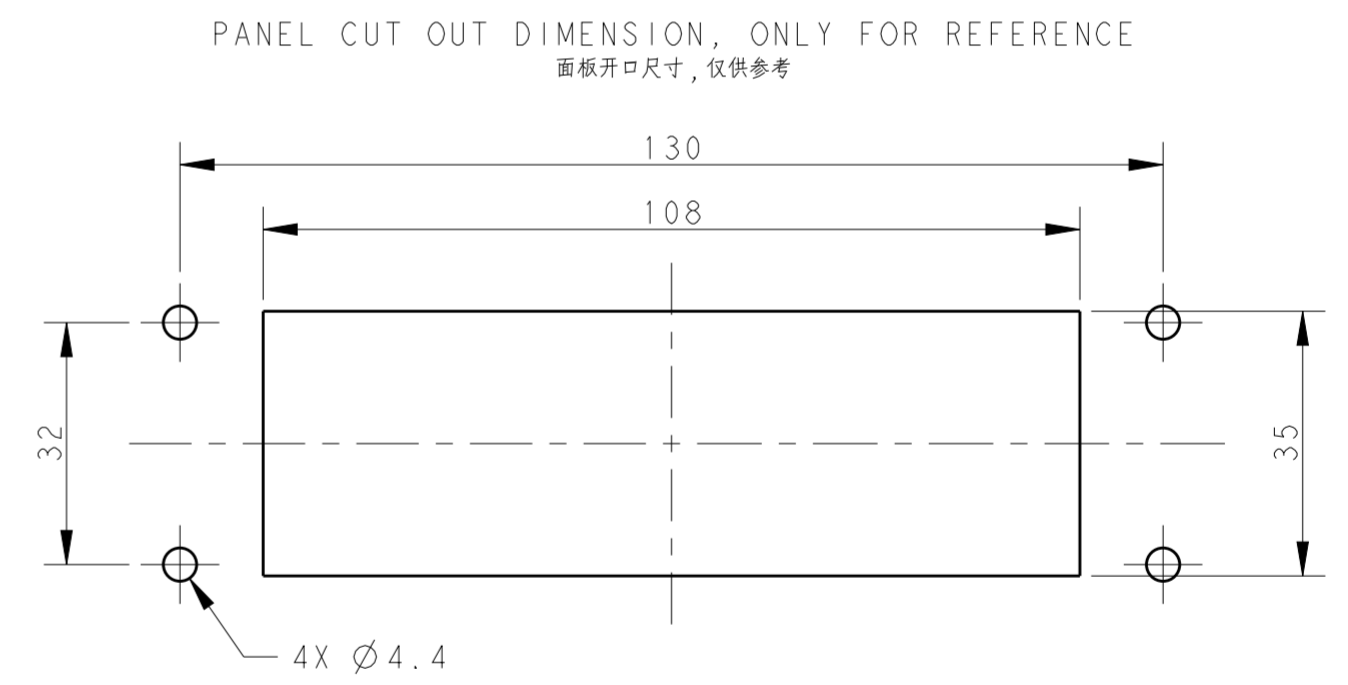
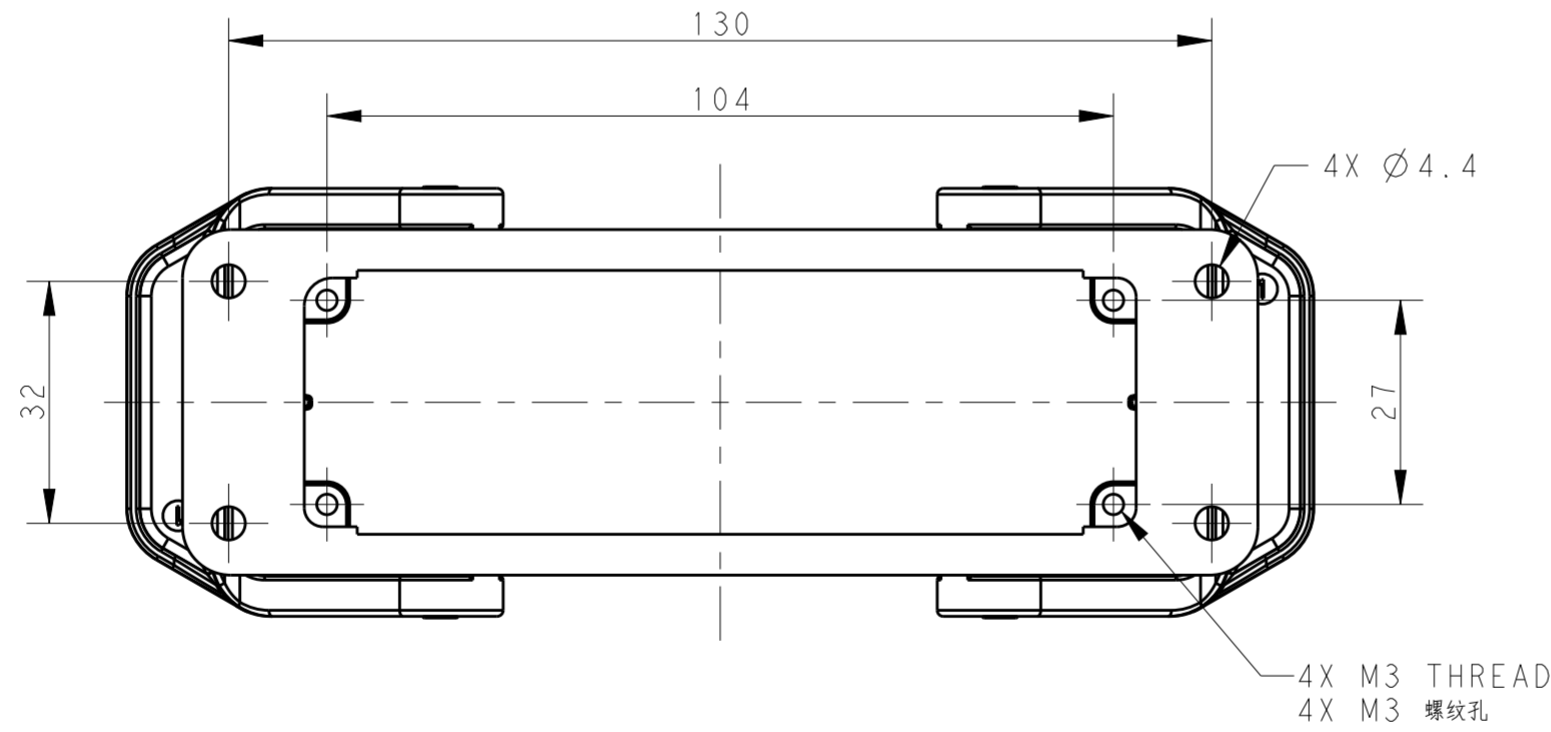
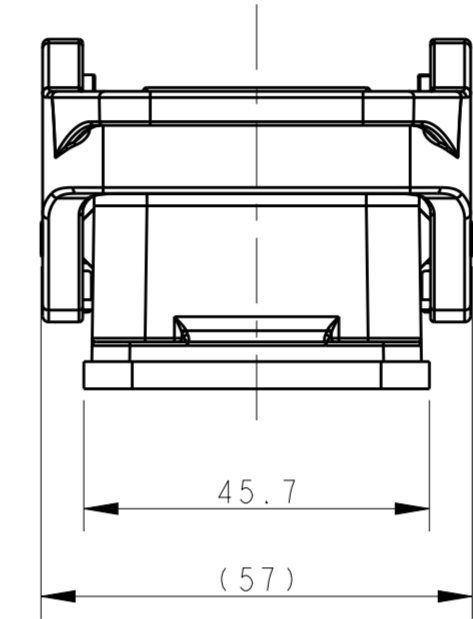
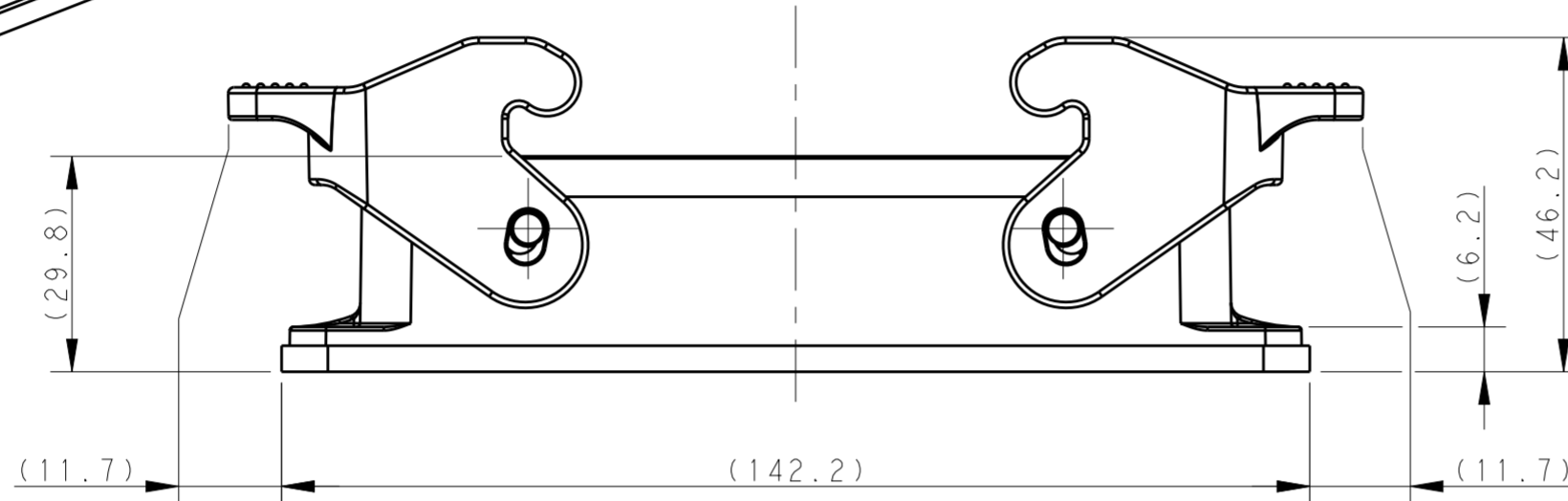
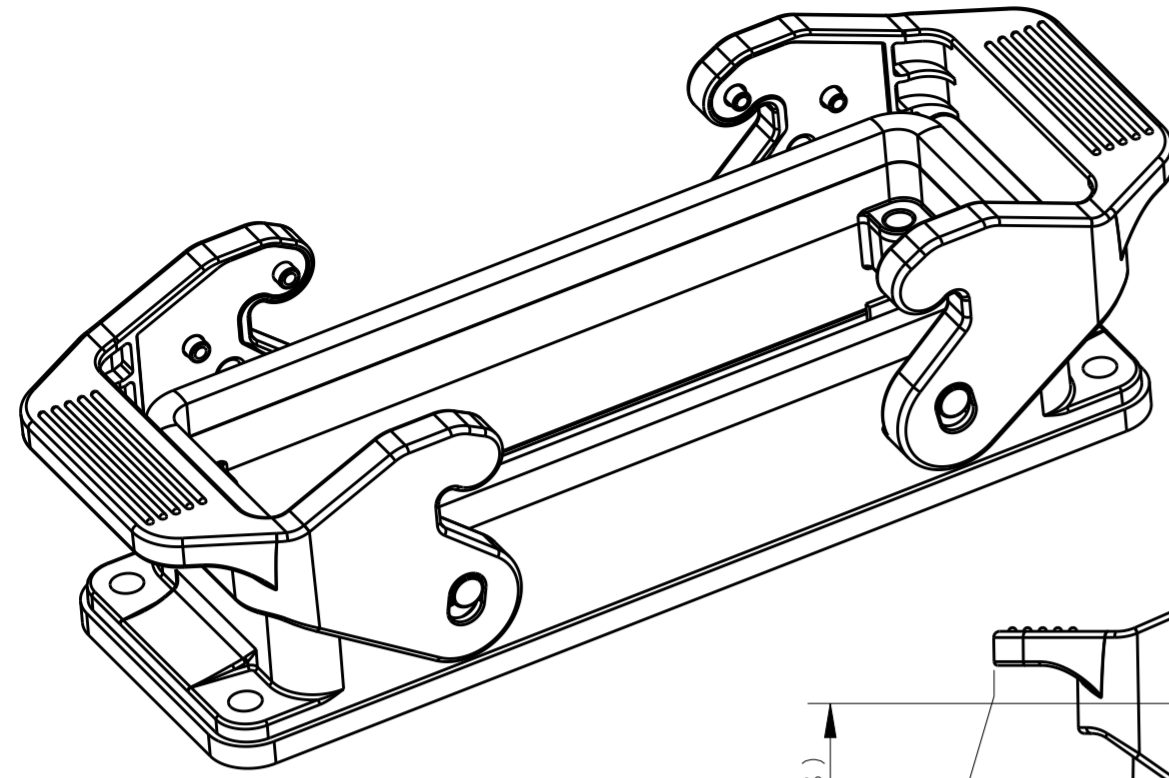


THIS DRAWING IS UNPUBLISHED. RELEASED FOR PUBLICATION 20
 © COPYRIGHT 20 BY - ALL RIGHTS RESERVED.

REVISIONS					
P	LTR	DESCRIPTION	DATE	DWN	APVD
A		INITIAL RELEASE	12JUN2015	DL	CW
A1		ECR-17-002960	06APR2017	DW	CW



NOTES:
 1. TECHNICAL CHARACTERISTICS:
 HOUSING MATERIAL: DIE CAST ALUMINIUM ALLOY
 HOUSING SURFACE: POWDER COATED, GREY
 DEGREE OF PROTECTION: IP65 (MATED)

注释:
 1. 技术参数:
 下壳材料: 铝合金
 下壳表面处理: 灰色粉末涂层
 防护等级: IP65 (配合)

TI410240000-000	H24B-AG-SL	H24B HOUSING, BULKHEAD MOUNTED, PLASTIC DOUBLE LOCKING POWDER COATED, GREY H24B下壳, 开孔安装, 塑料双扣, 灰色粉末喷涂
PART NUMBER 零件料号		PART DESCRIPTION 零件描述

THIS DRAWING IS A CONTROLLED DOCUMENT.		DWN DAVID LI 12JUN2015	TE Connectivity	
DIMENSIONS: mm		CHK CHRIS WANG 12JUN2015		
TOLERANCES UNLESS OTHERWISE SPECIFIED:		APVD XIANG XU 12JUN2015		
0 PLC	±	PRODUCT SPEC	NAME H24B-AG-SL	
1 PLC	±	108-137018	SIZE A2	
2 PLC	±	APPLICATION SPEC	CAGE CODE -	
3 PLC	±	114-137018	DRAWING NO. C-T141024000000	
4 PLC	±	WEIGHT -	RESTRICTED TO -	
ANGLES	±	CUSTOMER DRAWING	SCALE 1:1 SHEET 1 OF 1 REV A1	
FINISH	-			

X-ON Electronics

Largest Supplier of Electrical and Electronic Components

Click to view similar products for [Heavy Duty Power Connectors](#) category:

Click to view products by [TE Connectivity](#) manufacturer:

Other Similar products are found below :

[1424439](#) [1424438](#) [09330062652](#) [2-8675P1](#) [605601-1](#) [6340G1](#) [6341G1](#) [6360G1](#) [6373G1](#) [6374g2](#) [6396G1](#) [647757-1](#) [66394-4](#) [6643411-1](#)
[6646058-2](#) [6646137-1](#) [6646138-1](#) [6646348-1](#) [6646479-1](#) [6646608-1](#) [6646786-1](#) [6646940-1](#) [6651091-1](#) [6651525-1](#) [6651529-1](#) [6651778-1](#)
[6651788-1](#) [696465-1](#) [696475-1](#) [73000005059](#) [73000005349](#) [73000005642](#) [73080255059](#) [73080965046](#) [765-15-0080A](#) [765-16-0080B](#)
[789.700-44](#) [789.700-54](#) [80-1010](#) [80-9](#) [827381-1](#) [829992-1](#) [902-77-02113](#) [PL00U-301-10D10](#) [PM103MOOLOO](#) [PM16S1620S32-50](#)
[PM212MOOLOO](#) [PM309FOOLOO](#) [PM324FOOLCH](#) [PMHPAF11S03](#)