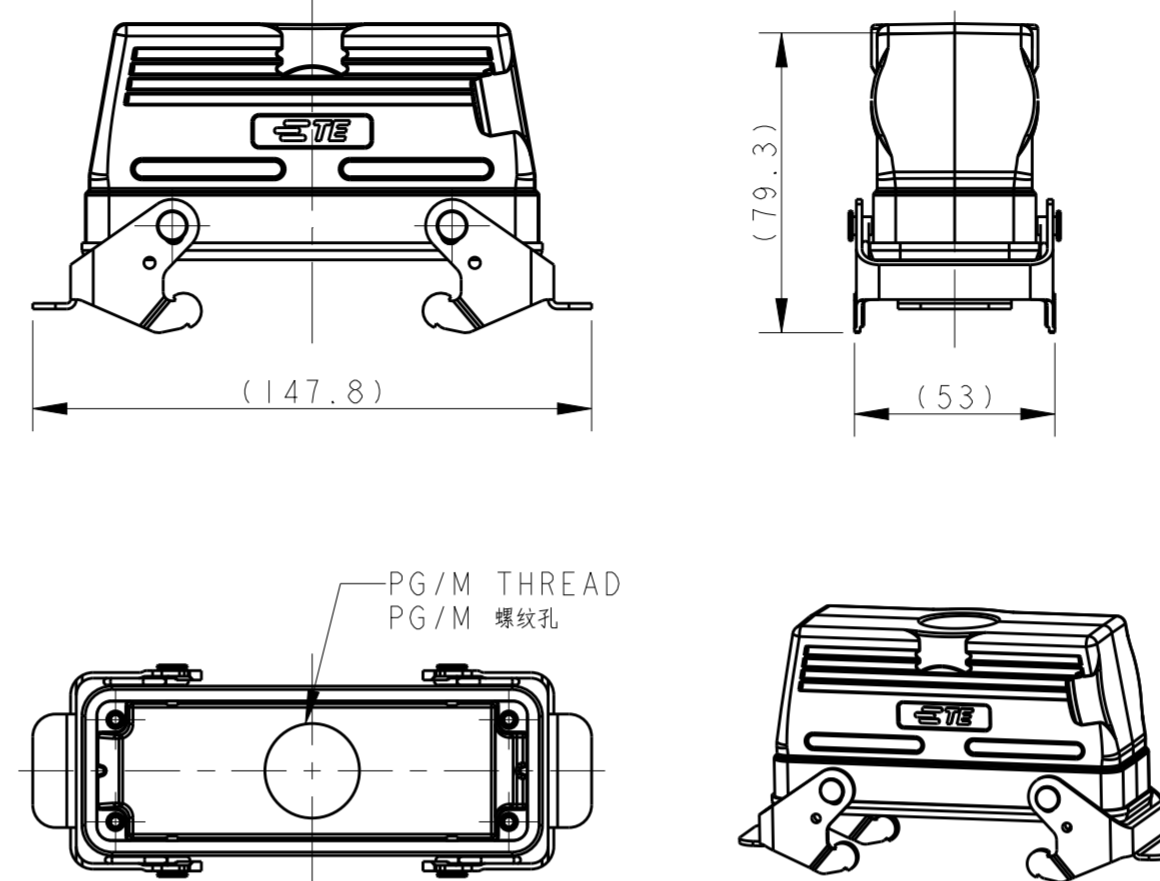
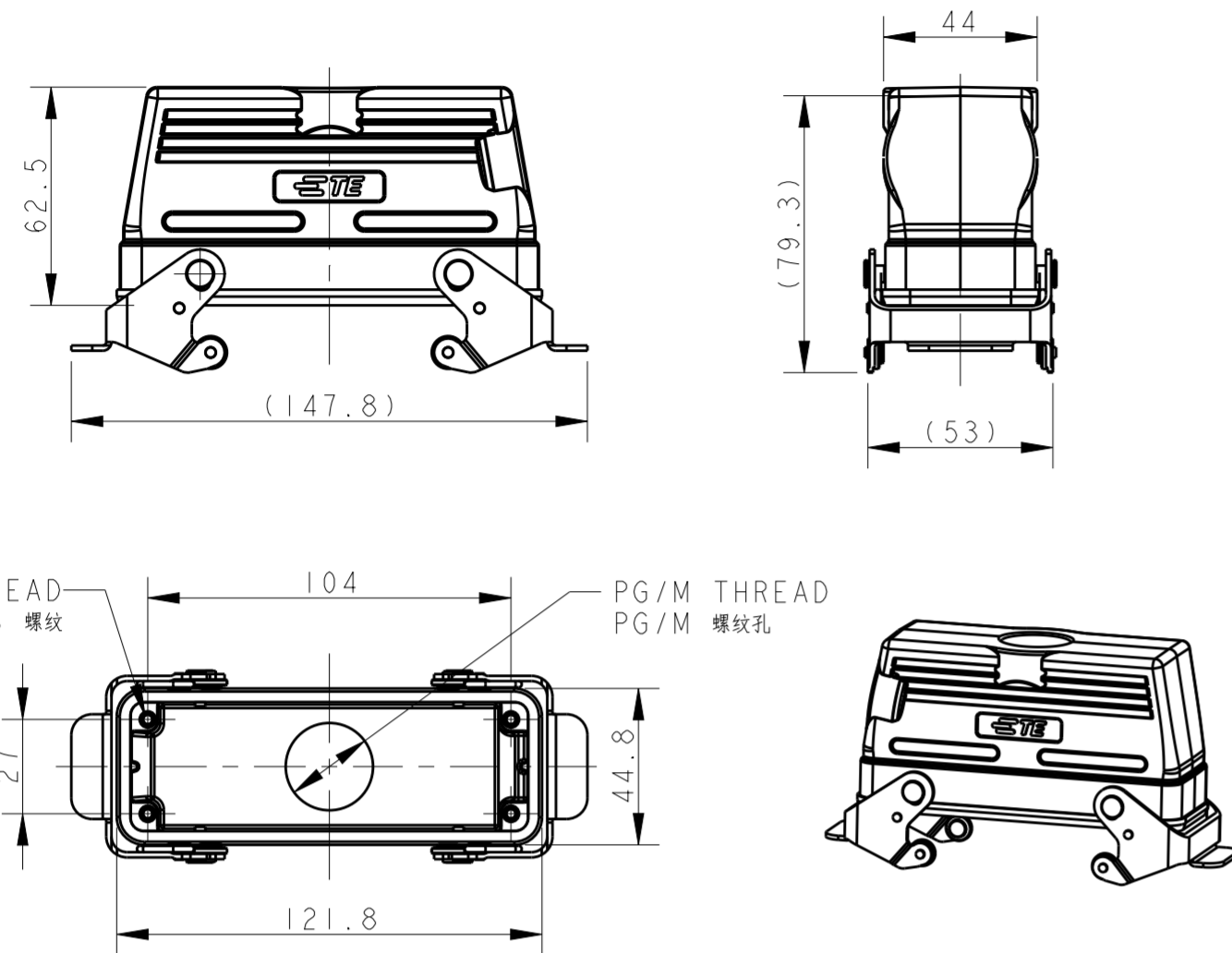


THIS DRAWING IS UNPUBLISHED. RELEASED FOR PUBLICATION 20
 © COPYRIGHT 20 BY - ALL RIGHTS RESERVED.

REVISIONS				
P	LTR	DESCRIPTION	DATE	APVD
A		INITIAL RELEASE	03JUL2015	DL CW
A1		ECR-16-013642	09MAY2017	BS CW

TYPE 1: LOW CONSTRUCTION + STAINLESS STEEL DOUBLE LOCKING
 类型1: 低结构壳体+不锈钢双扣

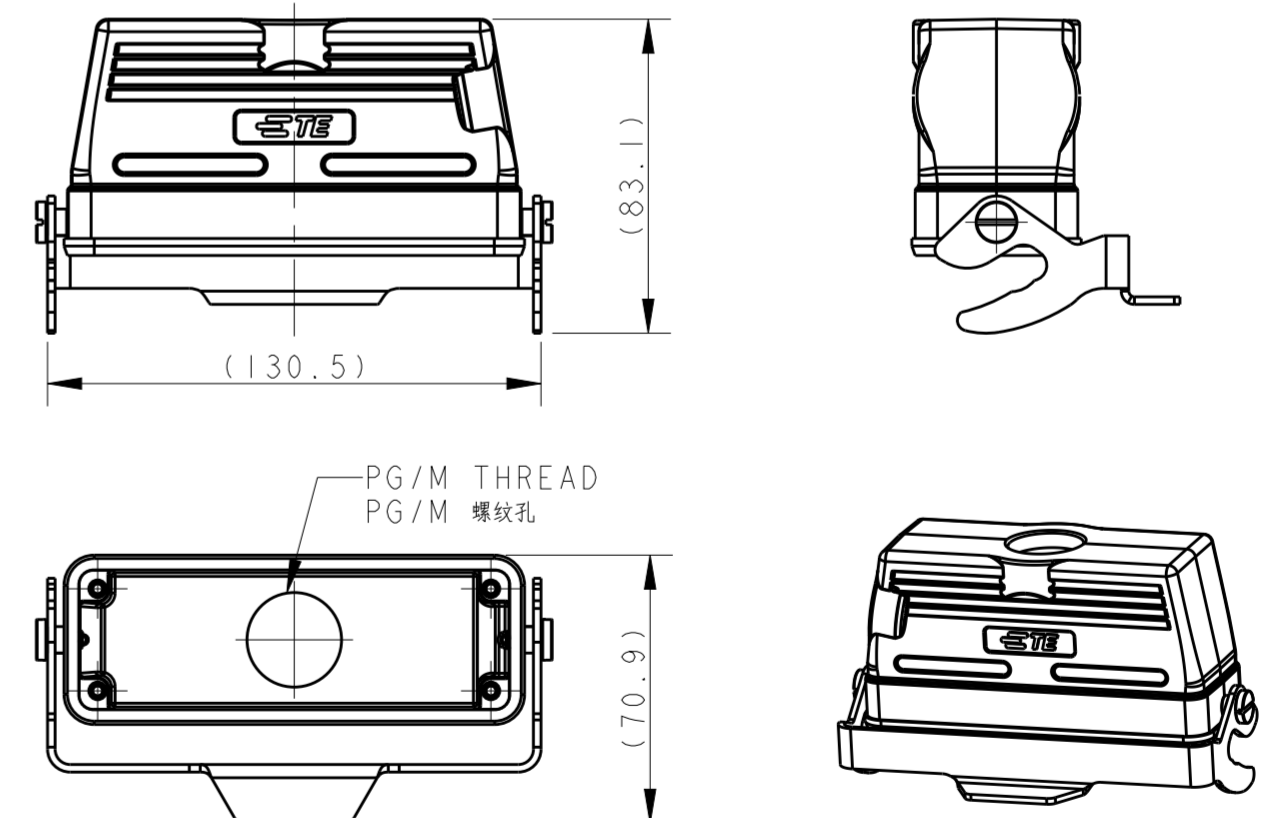
TYPE 2: LOW CONSTRUCTION + METAL DOUBLE LOCKING
 OTHER SPEC REFER TO TYPE 1
 类型2: 低结构壳体+彩锌双扣, 其他规格参照类型1



NOTES:
 1. TECHNICAL CHARACTERISTICS:
 BODY MATERIAL: DIE CAST ALUMINIUM ALLOY
 SURFACE TREATMENT: POWDER COATED, GREY
 DEGREE OF PROTECTION: IP65 (MATED)

注释:
 1. 技术参数:
 主体材料: 铝合金
 表面处理: 灰色粉末喷涂
 防护等级: IP65(配合)

TYPE 3: LOW CONSTRUCTION + METAL SINGLE LOCKING
 OTHER SPEC REFER TO TYPE 1
 类型3: 低结构壳体+彩锌单扣, 其他规格参照类型1

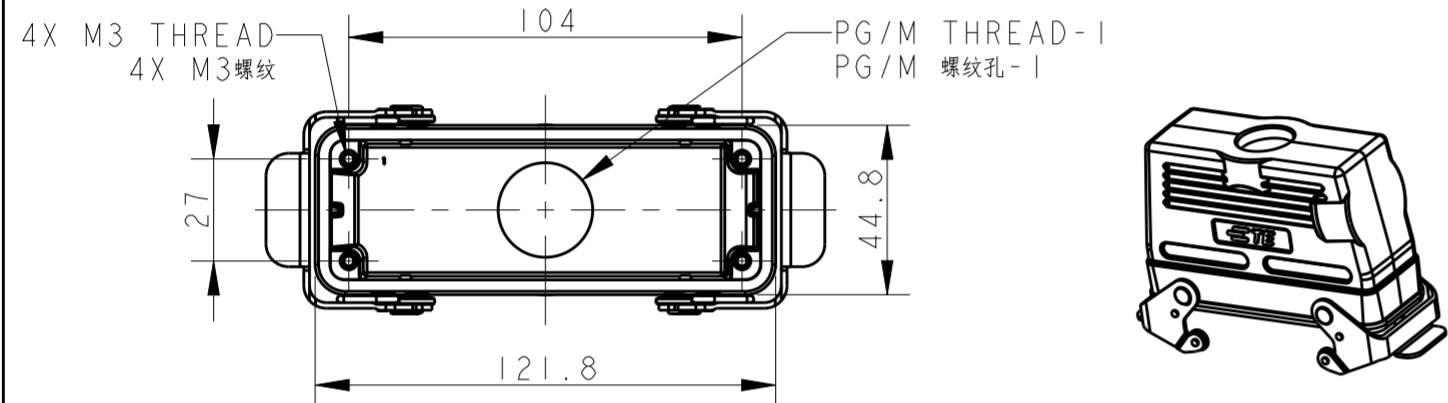
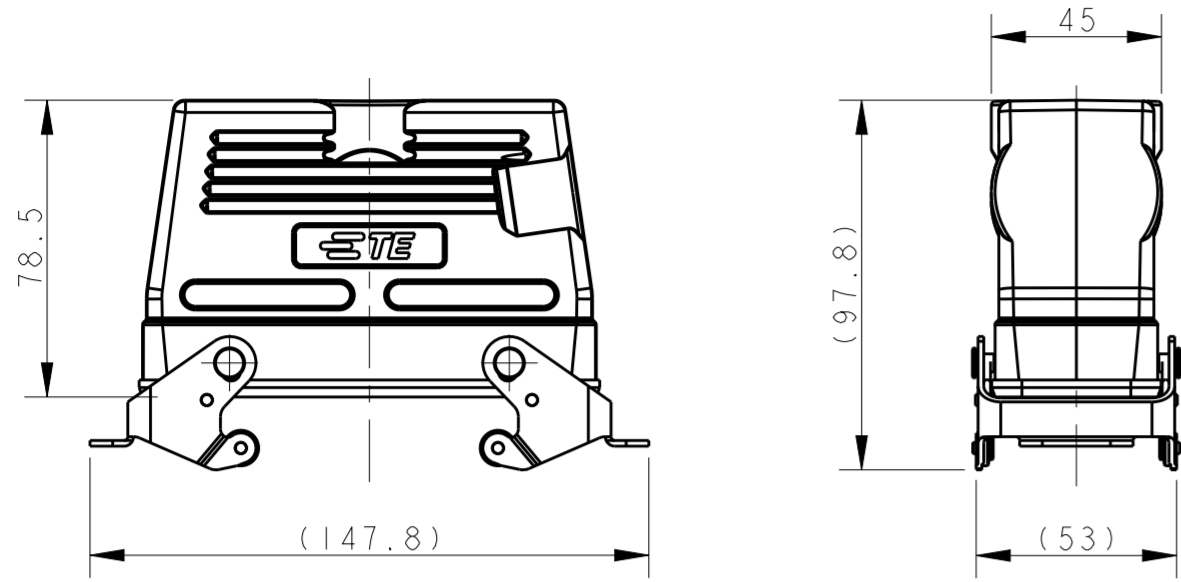


T1710241121-000	H24B-TBFS-PG21	H24B HOUSING, CABLE-TO-CABLE, STAINLESS STEEL DOUBEL LOCKING, TOP ENTRY PG21, LOW CONSTRUCTION, POWDER COATED, GRAY H24B下壳, 电缆对接, 不锈钢双扣, 顶出PG21, 低结构, 灰色粉末喷涂	PG21	TYPE 1 类型 1
T1710241125-000	H24B-TBFS-M25	H24B HOUSING, CABLE-TO-CABLE, STAINLESS STEEL DOUBEL LOCKING, TOP ENTRY M25, LOW CONSTRUCTION, POWDER COATED, GRAY H24B下壳, 电缆对接, 不锈钢双扣, 顶出M25, 低结构, 灰色粉末喷涂	M25	
T1710241132-000	H24B-TBFS-M32	H24B HOUSING, CABLE-TO-CABLE, STAINLESS STEEL DOUBEL LOCKING, TOP ENTRY M32, LOW CONSTRUCTION, POWDER COATED, GRAY H24B下壳, 电缆对接, 不锈钢双扣, 顶出M32, 低结构, 灰色粉末喷涂	M32	
T1710241132-100	H24B-TBFS-M32	H24B HOUSING, CABLE-TO-CABLE, STAINLESS STEEL DOUBEL LOCKING, TOP ENTRY M32, LOW CONSTRUCTION, NO LOGO, POWDER COATED, GRAY H24B下壳, 电缆对接, 不锈钢双扣, 顶出M32, 低结构, 无标志, 灰色粉末喷涂	M32	
T1710242121-000	H24B-TBF-PG21	H24B HOUSING, CABLE-TO-CABLE, METAL DOUBLE LOCKING, TOP ENTRY PG21, LOW CONSTRUCTION, POWDER COATED, GRAY H24B下壳, 电缆对接, 彩锌双扣, 顶出PG21, 低结构, 灰色粉末喷涂	PG21	TYPE 2 类型 2
T1710242125-000	H24B-TBF-M25	H24B HOUSING, CABLE-TO-CABLE, METAL DOUBLE LOCKING, TOP ENTRY M25, LOW CONSTRUCTION, POWDER COATED, GRAY H24B下壳, 电缆对接, 彩锌双扣, 顶出M25, 低结构, 灰色粉末喷涂	M25	
T1710242129-000	H24B-TBF-PG29	H24B HOUSING, CABLE-TO-CABLE, METAL DOUBLE LOCKING, TOP ENTRY PG29, LOW CONSTRUCTION, POWDER COATED, GRAY H24B下壳, 电缆对接, 彩锌双扣, 顶出PG29, 低结构, 灰色粉末喷涂	PG29	
T1710242132-000	H24B-TBF-M32	H24B HOUSING, CABLE-TO-CABLE, METAL DOUBLE LOCKING, TOP ENTRY M32, LOW CONSTRUCTION, POWDER COATED, GRAY H24B下壳, 电缆对接, 彩锌双扣, 顶出M32, 低结构, 灰色粉末喷涂	M32	
T1710242134-000	H24B-TBF-G3/4	H24B HOUSING, CABLE-TO-CABLE, METAL DOUBLE LOCKING, TOP ENTRY G3/4, LOW CONSTRUCTION, POWDER COATED, GRAY H24B下壳, 电缆对接, 彩锌双扣, 顶出G3/4, 低结构, 灰色粉末喷涂	G3/4	TYPE 3 类型 3
T1730242121-000	H24B-TBF-LB-PG21	H24B HOUSING, CABLE-TO-CABLE, METAL SINGLE LOCKING, TOP ENTRY PG21, LOW CONSTRUCTION, POWDER COATED, GRAY H24B下壳, 电缆对接, 彩锌单扣, 顶出PG21, 低结构, 灰色粉末喷涂	PG21	
T1730242125-000	H24B-TBF-LB-M25	H24B HOUSING, CABLE-TO-CABLE, METAL SINGLE LOCKING, TOP ENTRY M25, LOW CONSTRUCTION, POWDER COATED, GRAY H24B下壳, 电缆对接, 彩锌单扣, 顶出M25, 低结构, 灰色粉末喷涂	M25	
T1730242132-000	H24B-TBF-LB-M32	H24B HOUSING, CABLE-TO-CABLE, METAL SINGLE LOCKING, TOP ENTRY M32, LOW CONSTRUCTION, POWDER COATED, GRAY H24B下壳, 电缆对接, 彩锌单扣, 顶出M32, 低结构, 灰色粉末喷涂	M32	
PART NUMBER 料号	PART DESCRIPTION 描述		PG/M THREAD PG/M 螺纹孔	TYPE 类型

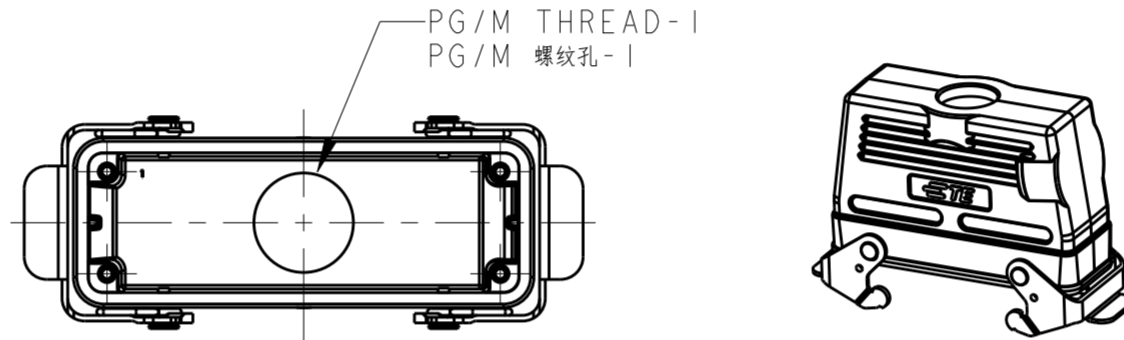
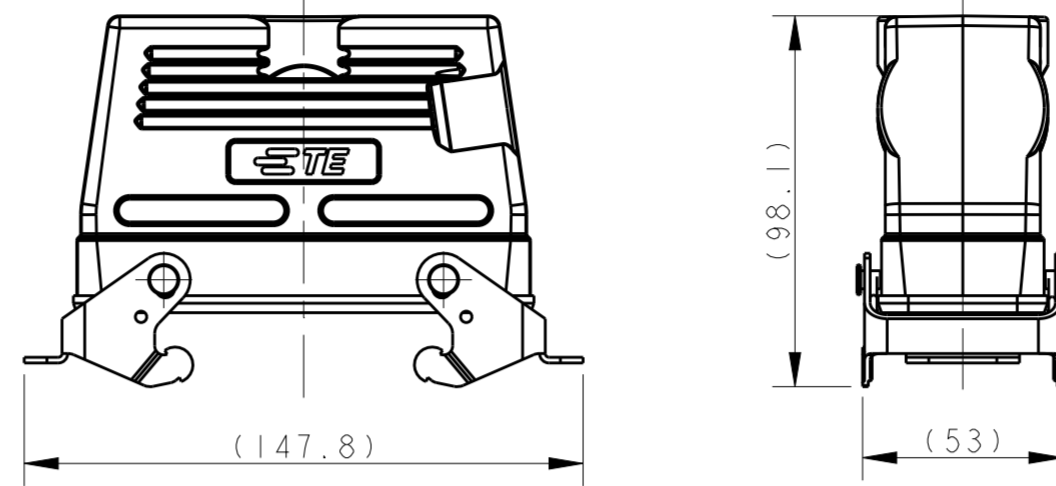
THIS DRAWING IS A CONTROLLED DOCUMENT.		DWN DAVID LI 03JUL2015	TE Connectivity	
DIMENSIONS: mm		CHK CHRIS WANG 03JUL2015		
TOLERANCES UNLESS OTHERWISE SPECIFIED:		APVD XU XIANG 03JUL2015	NAME H24B-TBFS/TBF-LB/TBF-PG/M	
0 PLC ±		PRODUCT SPEC 108-137013	SIZE A2	
1 PLC ±		APPLICATION SPEC 114-137013	CAGE CODE -	
2 PLC ±		WEIGHT -	DRAWING NO. C-T17X024XXXX000	
3 PLC ±		CUSTOMER DRAWING	RESTRICTED TO -	
4 PLC ±		SCALE 1:2	SHEET 1 OF 3	
ANGLES ±			REV A1	
FINISH -				

THIS DRAWING IS UNPUBLISHED. RELEASED FOR PUBLICATION 20
 © COPYRIGHT 20 BY - ALL RIGHTS RESERVED.

TYPE 4: HIGH CONSTRUCTION + STAINLESS STEEL DOUBLE LOCKING
 类型4: 高结构壳体+不锈钢双扣



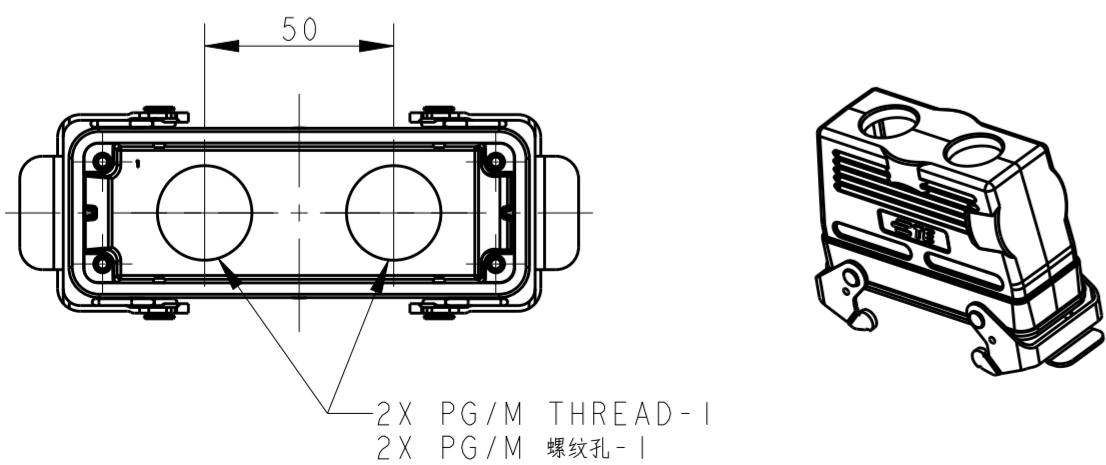
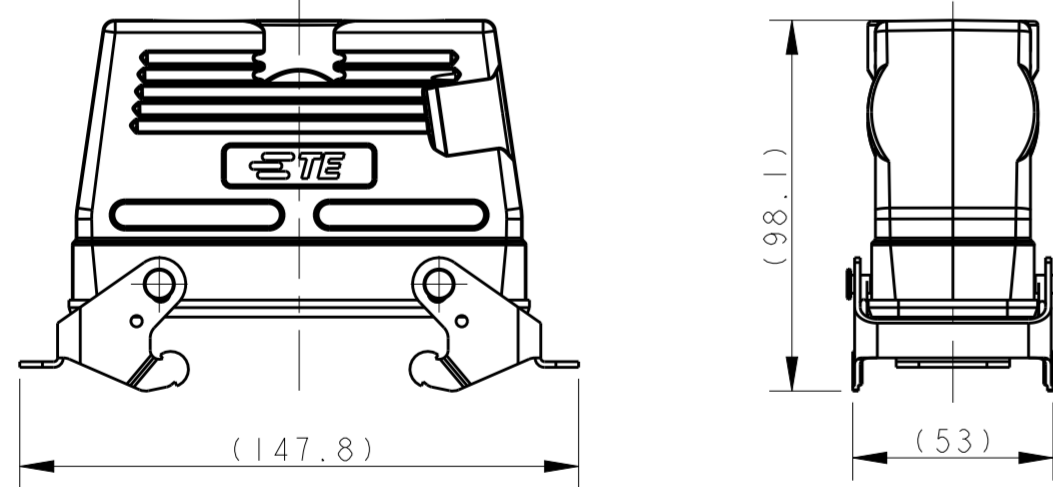
TYPE 5: HIGH CONSTRUCTION + METAL DOUBLE LOCKING
 OTHER SPEC REFER TO TYPE 4
 类型5: 高结构壳体+彩锌双扣, 其他规格参照类型4



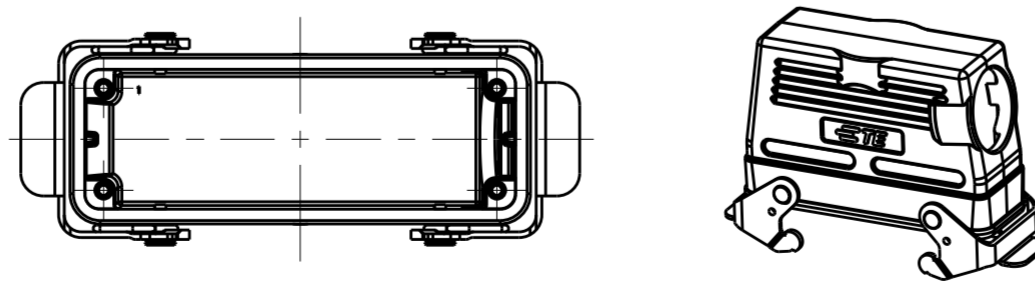
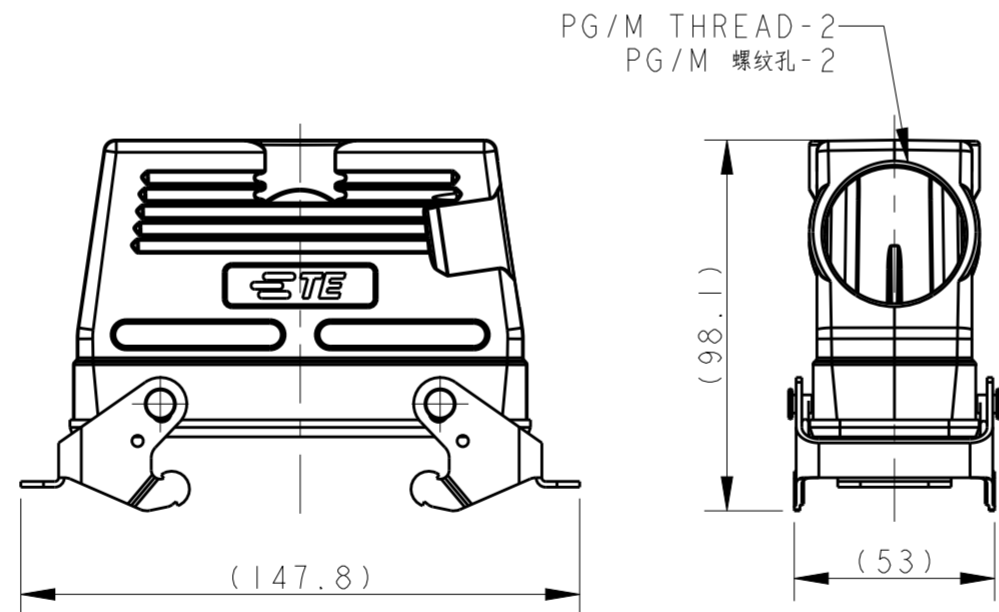
REVISIONS				
P	LTR	DESCRIPTION	DATE	APVD
-	-	SEE SHEET 1	-	-

NOTE:
SEE SHEET 1

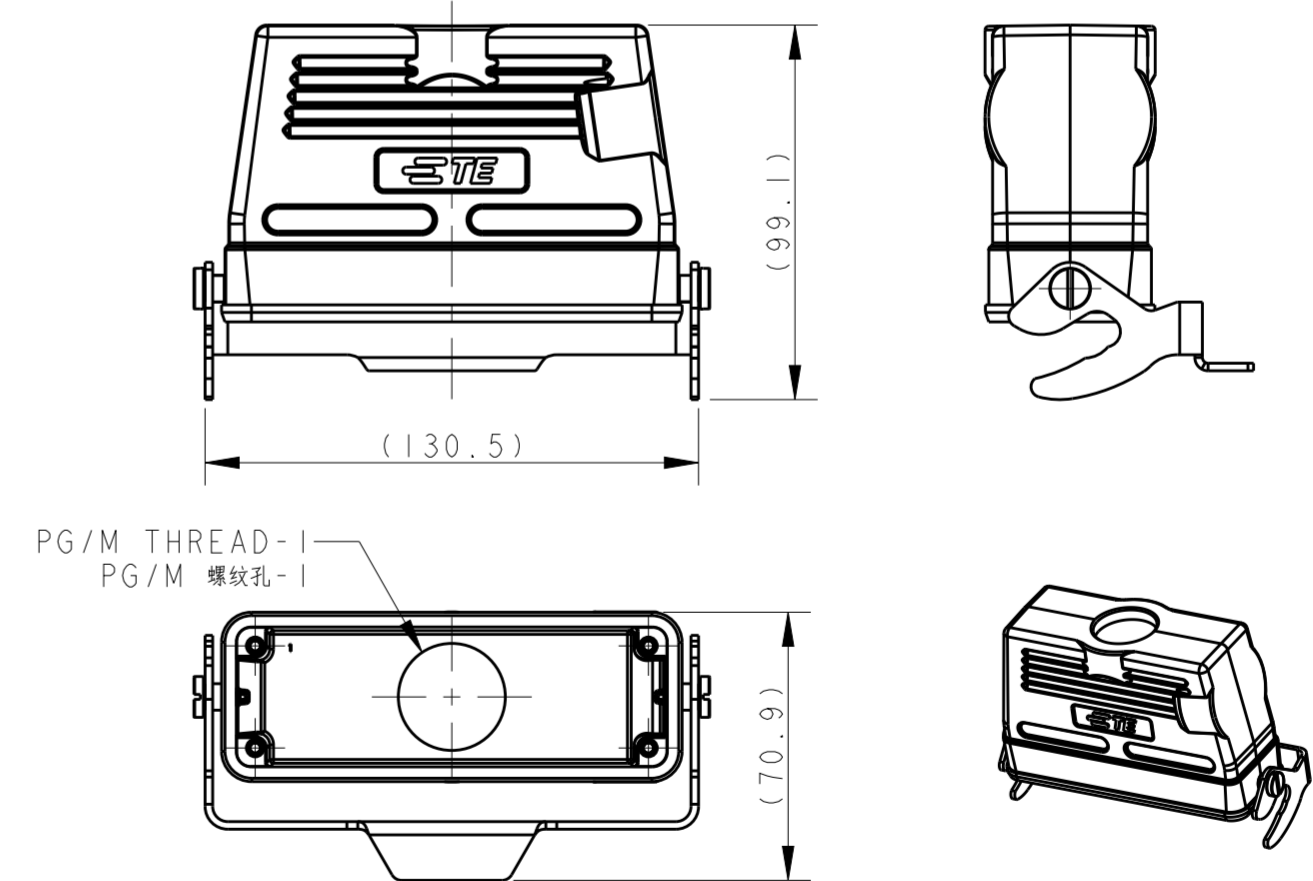
TYPE 6: HIGH CONSTRUCTION + METAL DOUBLE LOCKING + TOP ENTRY+2 HOLE, OTHER SPEC REFER TO TYPE 4
 类型6: 高结构壳体+彩锌双扣+顶出+2个进线孔, 其他规格参照类型4



TYPE 7: HIGH CONSTRUCTION + METAL DOUBLE LOCKING + SIDE ENTRY, OTHER SPEC REFER TO TYPE 4
 类型7: 高结构壳体+彩锌双扣+侧出进线孔, 其他规格参照类型4



TYPE 8: HIGH CONSTRUCTION + METAL SINGLE LOCKING, OTHER SPEC REFER TO TYPE 4
 类型8: 高结构壳体+彩锌单扣, 其他规格参照类型4



THIS DRAWING IS A CONTROLLED DOCUMENT.

DIMENSIONS:	TOLERANCES UNLESS OTHERWISE SPECIFIED:
mm	0 PLC ±
	1 PLC ±
	2 PLC ±
	3 PLC ±
	4 PLC ±
	ANGLES ±
	FINISH -
MATERIAL	TBD

DWN	DAVID LI	03JUL2015
CHK	CHRIS WANG	03JUL2015
APVD	XU XIANG	03JUL2015
PRODUCT SPEC	108-137013	
APPLICATION SPEC	114-137013	
WEIGHT	-	
CUSTOMER DRAWING	-	

STE TE Connectivity	
NAME	H24B-TBFS/TBF-LB/TBF-PG/M
SIZE	A2
CAGE CODE	-
DRAWING NO	G-T17X024XXXX000
RESTRICTED TO	-
SCALE	1:2
SHEET	2 OF 3
REV	A1

THIS DRAWING IS UNPUBLISHED. RELEASED FOR PUBLICATION 20
 © COPYRIGHT 20 BY - ALL RIGHTS RESERVED.

REVISIONS				
P	LTR	DESCRIPTION	DATE	APVD
-		SEE SHEET 1	-	-

NOTE:
SEE SHEET 1

T1750241121-000	H24B-TBFHS-PG21	H24B HOUSING, CABLE-TO-CABLE, STAINLESS STEEL DOUBEL LOCKING, TOP ENTRY PG21, HIGH CONSTRUCTION, POWDER COATED, GRAY H24B下壳, 电缆对接, 不锈钢双扣, 顶出PG21, 高结构, 灰色粉末喷涂	PG21	-	TYPE 4 类型 4
T1750241125-000	H24B-TBFHS-M25	H24B HOUSING, CABLE-TO-CABLE, STAINLESS STEEL DOUBEL LOCKING, TOP ENTRY M25, HIGH CONSTRUCTION, POWDER COATED, GRAY H24B下壳, 电缆对接, 不锈钢双扣, 顶出M25, 高结构, 灰色粉末喷涂	M25	-	
T1750241129-000	H24B-TBFHS-PG29	H24B HOUSING, CABLE-TO-CABLE, STAINLESS STEEL DOUBEL LOCKING, TOP ENTRY PG29, HIGH CONSTRUCTION, POWDER COATED, GRAY H24B下壳, 电缆对接, 不锈钢双扣, 顶出PG29, 高结构, 灰色粉末喷涂	PG29	-	
T1750241132-000	H24B-TBFHS-M32	H24B HOUSING, CABLE-TO-CABLE, STAINLESS STEEL DOUBEL LOCKING, TOP ENTRY M32, HIGH CONSTRUCTION, POWDER COATED, GRAY H24B下壳, 电缆对接, 不锈钢双扣, 顶出M32, 高结构, 灰色粉末喷涂	M32	-	
T1750242121-000	H24B-TBFH-PG21	H24B HOUSING, CABLE-TO-CABLE, METAL DOUBLE LOCKING, TOP ENTRY PG21, HIGH CONSTRUCTION, POWDER COATED, GRAY H24B下壳, 电缆对接, 彩锌双扣, 顶出PG21, 高结构, 灰色粉末喷涂	PG21	-	TYPE 5 类型 5
T1750242125-000	H24B-TBFH-M25	H24B HOUSING, CABLE-TO-CABLE, METAL DOUBLE LOCKING, TOP ENTRY M25, HIGH CONSTRUCTION, POWDER COATED, GRAY H24B下壳, 电缆对接, 彩锌双扣, 顶出M25, 高结构, 灰色粉末喷涂	M25	-	
T1750242129-000	H24B-TBFH-PG29	H24B HOUSING, CABLE-TO-CABLE, METAL DOUBLE LOCKING, TOP ENTRY PG29, HIGH CONSTRUCTION, POWDER COATED, GRAY H24B下壳, 电缆对接, 彩锌双扣, 顶出PG29, 高结构, 灰色粉末喷涂	PG29	-	
T1750242132-000	H24B-TBFH-M32	H24B HOUSING, CABLE-TO-CABLE, METAL DOUBLE LOCKING, TOP ENTRY M32, HIGH CONSTRUCTION, POWDER COATED, GRAY H24B下壳, 电缆对接, 彩锌双扣, 顶出M32, 高结构, 灰色粉末喷涂	M32	-	
T1750242140-000	H24B-TBFH-M40	H24B HOUSING, CABLE-TO-CABLE, METAL DOUBLE LOCKING, TOP ENTRY M40, HIGH CONSTRUCTION, POWDER COATED, GRAY H24B下壳, 电缆对接, 彩锌双扣, 顶出M40, 高结构, 灰色粉末喷涂	M40	-	TYPE 6 类型 6
T1750242221-000	H24B-TBFH-2PG21	H24B HOUSING, CABLE-TO-CABLE, METAL DOUBLE LOCKING, TOP ENTRY 2PG21, HIGH CONSTRUCTION, POWDER COATED, GRAY H24B下壳, 电缆对接, 彩锌双扣, 顶出2PG21, 高结构, 灰色粉末喷涂	2X PG21	-	
T1750242225-000	H24B-TBFH-2M25	H24B HOUSING, CABLE-TO-CABLE, METAL DOUBLE LOCKING, TOP ENTRY 2M25, HIGH CONSTRUCTION, POWDER COATED, GRAY H24B下壳, 电缆对接, 彩锌双扣, 顶出2M25, 高结构, 灰色粉末喷涂	2X M25	-	TYPE 7 类型 7
T1790242129-000	H24B-TBFH-PG29	H24B HOUSING, CABLE-TO-CABLE, METAL DOUBLE LOCKING, SIDE ENTRY PG29, HIGH CONSTRUCTION, POWDER COATED, GRAY H24B下壳, 电缆对接, 彩锌双扣, 侧出PG29, 高结构, 灰色粉末喷涂	-	PG29	
T1770243121-000	H24B-TBFH-LB-PG21	H24B HOUSING, CABLE-TO-CABLE, METAL SINGLE LOCKING, TOP ENTRY PG21, HIGH CONSTRUCTION, POWDER COATED, GRAY H24B下壳, 电缆对接, 彩锌单扣, 顶出PG21, 高结构, 灰色粉末喷涂	PG21	-	TYPE 8 类型 8
T1770243129-000	H24B-TBFH-LB-PG29	H24B HOUSING, CABLE-TO-CABLE, METAL SINGLE LOCKING, TOP ENTRY PG29, HIGH CONSTRUCTION, POWDER COATED, GRAY H24B下壳, 电缆对接, 彩锌单扣, 顶出PG29, 高结构, 灰色粉末喷涂	PG29	-	
T1770243132-000	H24B-TBFH-LB-M32	H24B HOUSING, CABLE-TO-CABLE, METAL SINGLE LOCKING, TOP ENTRY M32, HIGH CONSTRUCTION, POWDER COATED, GRAY H24B下壳, 电缆对接, 彩锌单扣, 顶出M32, 高结构, 灰色粉末喷涂	M32	-	
PART NUMBER 料号	PART DESCRIPTION 描述		PG/M THREAD-1 PG/M 螺纹孔-1	PG/M THREAD-2 PG/M 螺纹孔-2	TYPE 类型

THIS DRAWING IS A CONTROLLED DOCUMENT.		DWN DAVID LI 03JUL2015	STE TE Connectivity		
		CHK CHRIS WANG 03JUL2015			
		APVD XU XIANG 03JUL2015	NAME H24B-TBFS/TBF-LB/TBF-PG/M		
DIMENSIONS: mm		PRODUCT SPEC 108-137013	SIZE A2	CAGE CODE -	DRAWING NO. ©-T17X024XXXX000
TOLERANCES UNLESS OTHERWISE SPECIFIED:		APPLICATION SPEC 114-137013	RESTRICTED TO -		
MATERIAL TBD		WEIGHT -	SCALE 1:2	SHEET 3 OF 3	REV A1
		CUSTOMER DRAWING			

X-ON Electronics

Largest Supplier of Electrical and Electronic Components

Click to view similar products for [Heavy Duty Power Connectors](#) category:

Click to view products by [TE Connectivity](#) manufacturer:

Other Similar products are found below :

[1424439](#) [1424438](#) [09330062652](#) [2-8675P1](#) [605601-1](#) [6340G1](#) [6341G1](#) [6360G1](#) [6373G1](#) [6374g2](#) [6396G1](#) [647757-1](#) [66394-4](#) [6643411-1](#)
[6646058-2](#) [6646137-1](#) [6646138-1](#) [6646348-1](#) [6646479-1](#) [6646608-1](#) [6646786-1](#) [6646940-1](#) [6651091-1](#) [6651525-1](#) [6651529-1](#) [6651778-1](#)
[6651788-1](#) [696465-1](#) [696475-1](#) [73000005059](#) [73000005349](#) [73000005642](#) [73080255059](#) [73080965046](#) [765-15-0080A](#) [765-16-0080B](#)
[789.700-44](#) [789.700-54](#) [80-1010](#) [80-9](#) [827381-1](#) [829992-1](#) [902-77-02113](#) [PL00U-301-10D10](#) [PM103MOOLOO](#) [PM16S1620S32-50](#)
[PM212MOOLOO](#) [PM309FOOLOO](#) [PM324FOOLCH](#) [PMHPAF11S03](#)