

# GROUND CLIP ASSEMBLY

TE Connectivity's (TE) cable assembly will make the job of grounding your equipment much faster with a quick and reliable terminal that's easy to install. The design of this terminal virtually eliminates the need for fastening ground lead terminals with screws or bolts. The clip area of the terminal attaches to a variety of painted and bare metal panels ranging in thickness from 0.48mm to 1.8mm (0.019 inches to 0.071 inches).

The grounding clip terminal is available in stainless steel and comes with a pilot hole in the clip area that allows the option of permanent installation using a #6 sheet metal screw.



## Applications

- Lighting fixtures
- Fire & Security
- HVAC
- Signage

## Mechanical

- Wire Gauge 18 AWG (stranded)

## Specifications

- Application Specification (terminal): [114-2129](#)

## Material

- Contact Stainless Steel

## Product Compliance / Approvals

- UL recognized to US and Canadian Standards in UL File E69905 (ground clip component only)

## Key Benefits

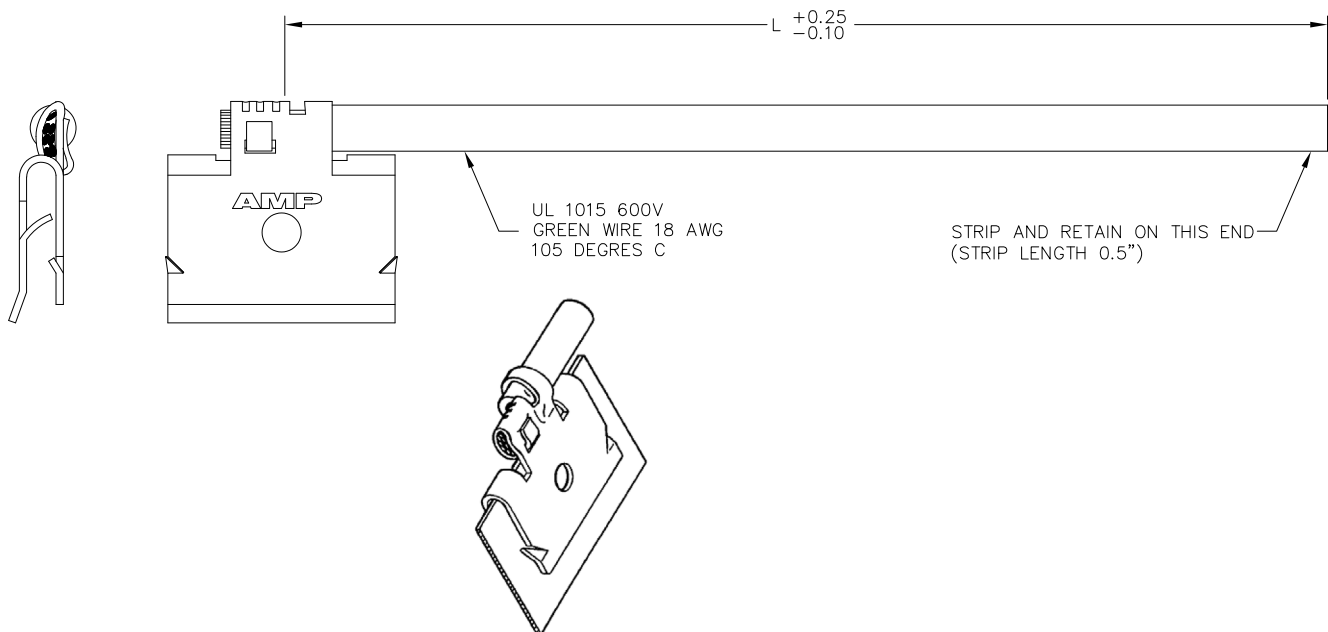
- Quick installation
- Works on painted and unpainted surfaces
- Works with either aluminum or steel panels

Product Selection Information

Part Number	Description	Length (L)
<a href="#">2829724-1</a>	Cable Assembly, Ground Clip	4 inches
<a href="#">2829724-2</a>	Cable Assembly, Ground Clip	6 Inches

Custom length assembly available upon request

Dimensions



te.com

© 2017 TE Connectivity. All Rights Reserved. AMP, TE, TE Connectivity, and the TE connectivity (logo) are trademarks of the TE Connectivity Ltd. family of companies. Other logos, product and company names mentioned herein may be trademarks of their respective owners.

While TE has made every reasonable effort to ensure the accuracy of the information in this brochure, TE does not guarantee that it is error-free, nor does TE make any other representation, warranty or guarantee that the information is accurate, correct, reliable or current. TE reserves the right to make any adjustments to the information contained herein at any time without notice. TE expressly disclaims all implied warranties regarding the information contained herein, including, but not limited to, any implied warranties of merchantability or fitness for a particular purpose. The dimensions in this catalog are for reference purposes only and are subject to change without notice. Specifications are subject to change without notice. Consult TE for the latest dimensions and design specifications. 1-1773919-9 BH 04/2017

USA: +1 (800) 522-6752  
 Canada: +1 (905) 475-6222  
 Mexico: +52 (0) 55-1106-0800  
 Latin/S. America: +54 (0) 11-4733-2200  
 Germany: +49 (0) 6251-133-1999

UK: +44 (0) 800-267666  
 France: +33 (0) 1-3420-8686  
 The Netherlands: +31 (0) 73-6246-999  
 China: +86 (0) 400-820-6015

## X-ON Electronics

Largest Supplier of Electrical and Electronic Components

*Click to view similar products for [Terminals](#) category:*

*Click to view products by [TE Connectivity](#) manufacturer:*

Other Similar products are found below :

[HT-13-10](#) [71M-250-32-NB](#) [01-2065-1-0216](#) [00581P0075](#) [M10-10RX](#) [M10BCK](#) [60205-1](#) [604200-1](#) [60598-1-CUT-TAPE](#) [60617-1-C](#) [60873-1](#) [M14-516R/SK](#) [M14-6RSX](#) [M18-10FLX](#) [M18-8FBX](#) [M18-8R/LX](#) [M18BCK](#) [61314-6-C](#) [61-S](#) [61-SN-A](#) [62-NBM-A](#) [63-S](#) [640179-1](#) [640917-2-CUT-TAPE](#) [6501550002](#) [66107-2-C](#) [696683-1](#) [696834-1](#) [696861-1](#) [696931-1](#) [696999-1](#) [M8-516RK](#) [M86700006](#) [MA250DMFMX-A](#) [701-2007](#) [701-2307](#) [701-7761-03](#) [70F-110-32-PB](#) [718-N-A](#) [71M-187-20-NBL](#) [71M-250-32-NBL](#) [72F-187-20-NBL](#) [72M-250-32-NBL](#) [7310](#) [73F-250-32](#) [73F-250-32-NBL](#) [73F-250-32-NL](#) [F14-10C](#) [F-1M](#) [751-250](#)